



US00D400055S

United States Patent [19]

Mc Fadzean

[11] Patent Number: **Des. 400,055**

[45] Date of Patent: ****Oct. 27, 1998**

[54] **PORTABLE MUFFIN/CUPCAKE PAN WITH DOME COVER**

D. 365,502	12/1995	Runge	D7/610
3,760,973	9/1973	Canning et al.	220/23.8
5,540,334	7/1996	Haas et al.	206/563

[75] Inventor: **James Mc Fadzean**, Cedar Grove, N.J.

Primary Examiner—Terry A. Wallace
Attorney, Agent, or Firm—Arthur J. Plantamura

[73] Assignee: **Sun Fun Products, L.L.C.**, Cedar Grove, N.Y.

[**] Term: **14 Years**

[57] CLAIM

[21] Appl. No.: **78,312**

The ornamental design for a portable muffin/cupcake pan with dome cover, as shown and described.

[22] Filed: **Oct. 20, 1997**

DESCRIPTION

[51] **LOC (6) Cl.** **07-07**

FIG. 1 is an exploded perspective view of a portable muffin/cupcake pan with dome cover showing my new design;

[52] **U.S. Cl.** **D7/610**

FIG. 2 is a top plan view of the pan shown separately for clarity of illustration;

[58] **Field of Search** D7/610, 555-557, D7/538-542; D9/341, 345; 206/553; 220/23.83, 500, 507, 508, 553

FIG. 3 is a side elevation view of FIG. 2, the opposite side being identical;

[56] References Cited

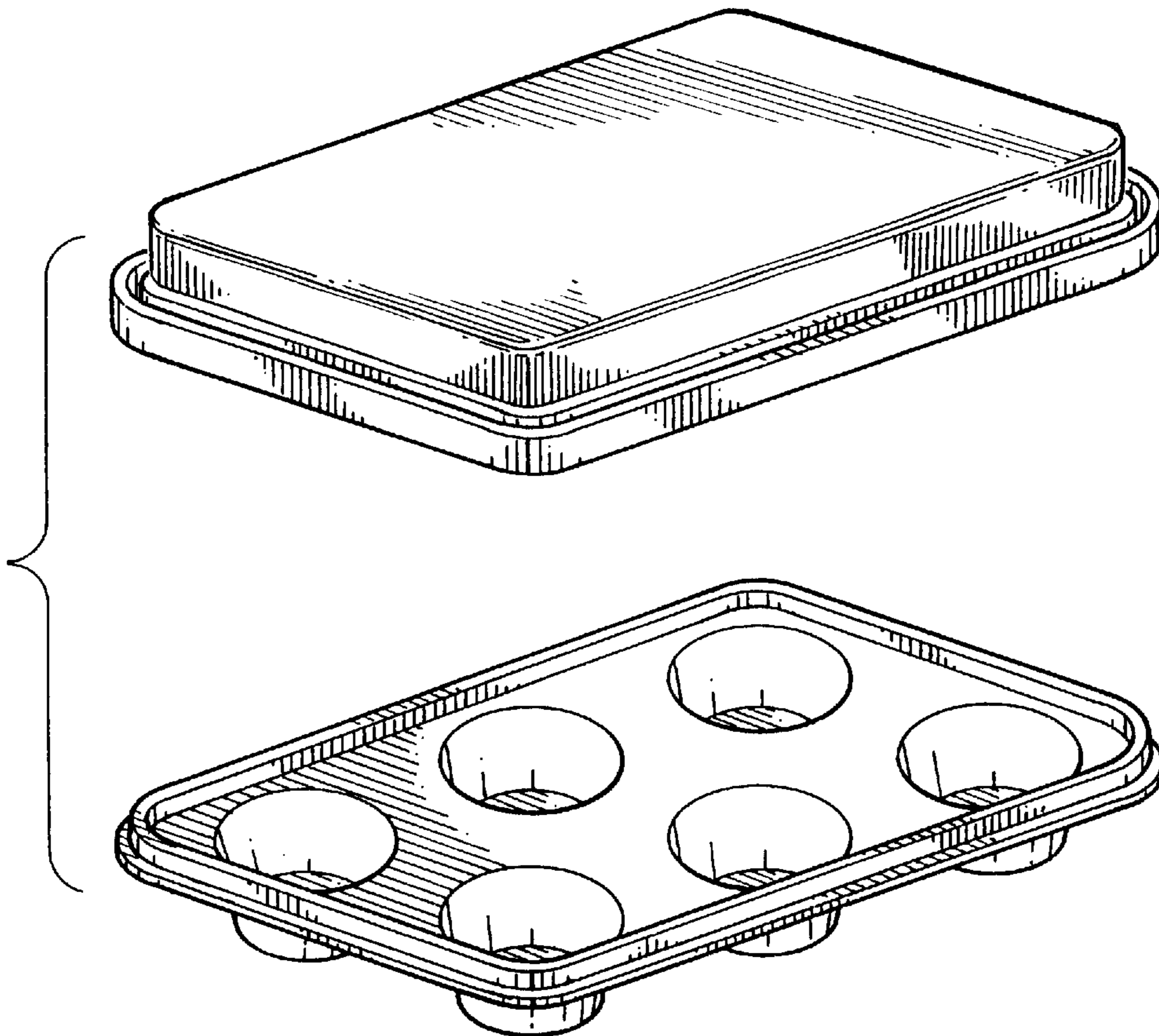
U.S. PATENT DOCUMENTS

D. 207,496	4/1967	Swett	D7/610
D. 229,009	11/1973	Dolby et al.	D7/546
D. 361,508	8/1995	Schnack	D9/341

FIG. 4 is a top plan view of the cover shown separately for clarity of illustration; and,

FIG. 5 is a side elevation view of FIG. 4, the opposite side being identical.

1 Claim, 2 Drawing Sheets



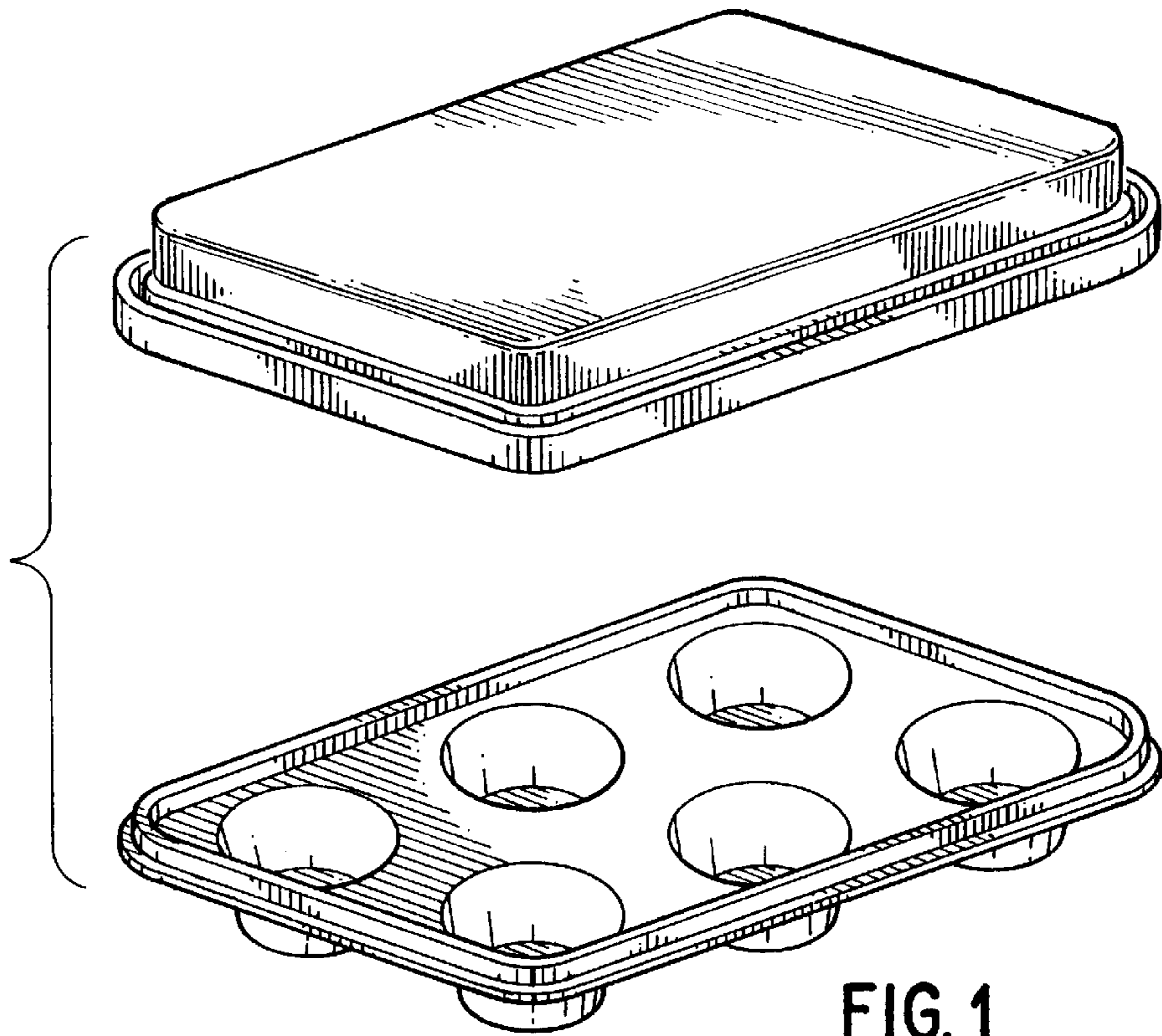


FIG. 1

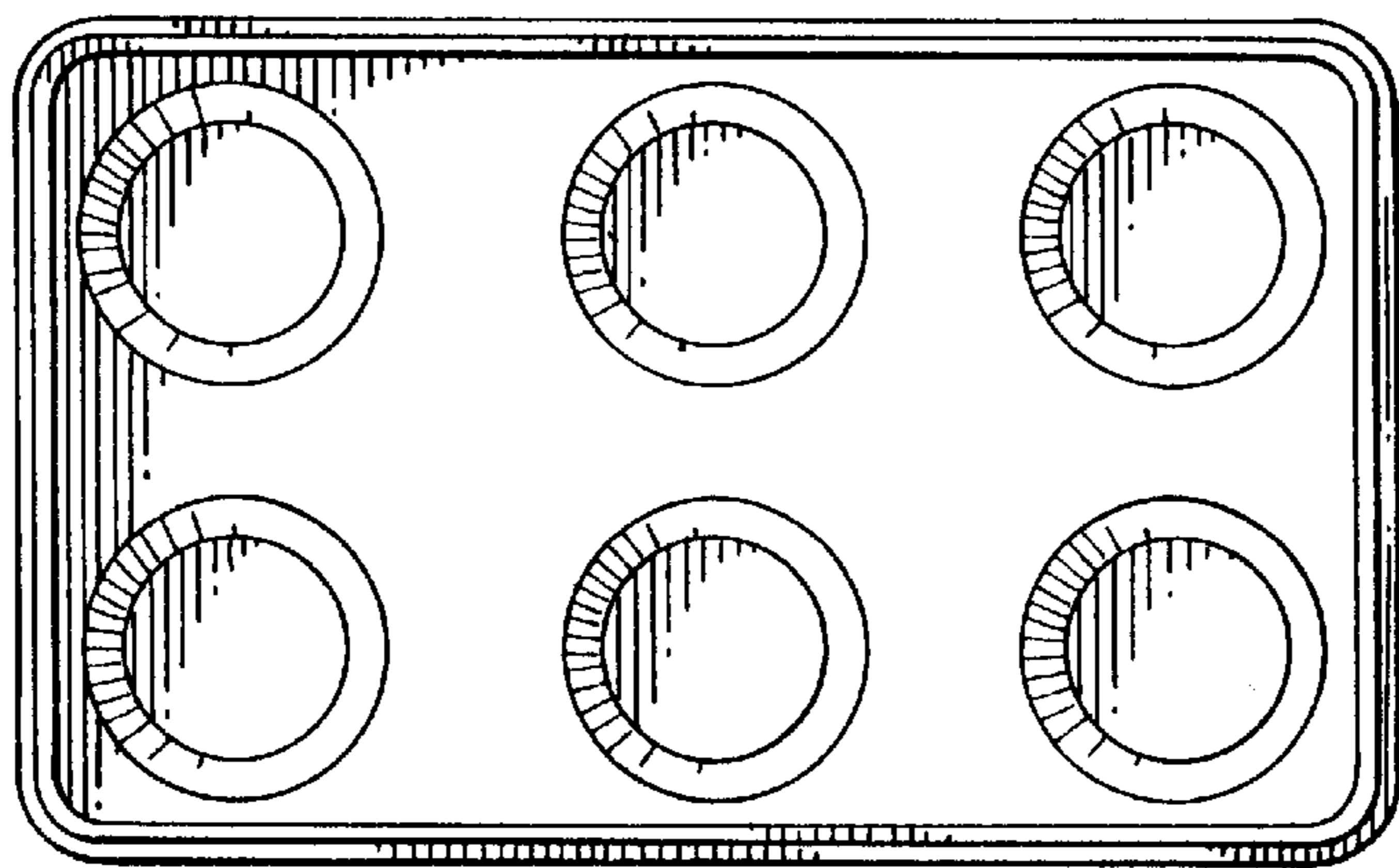


FIG. 2



FIG. 3

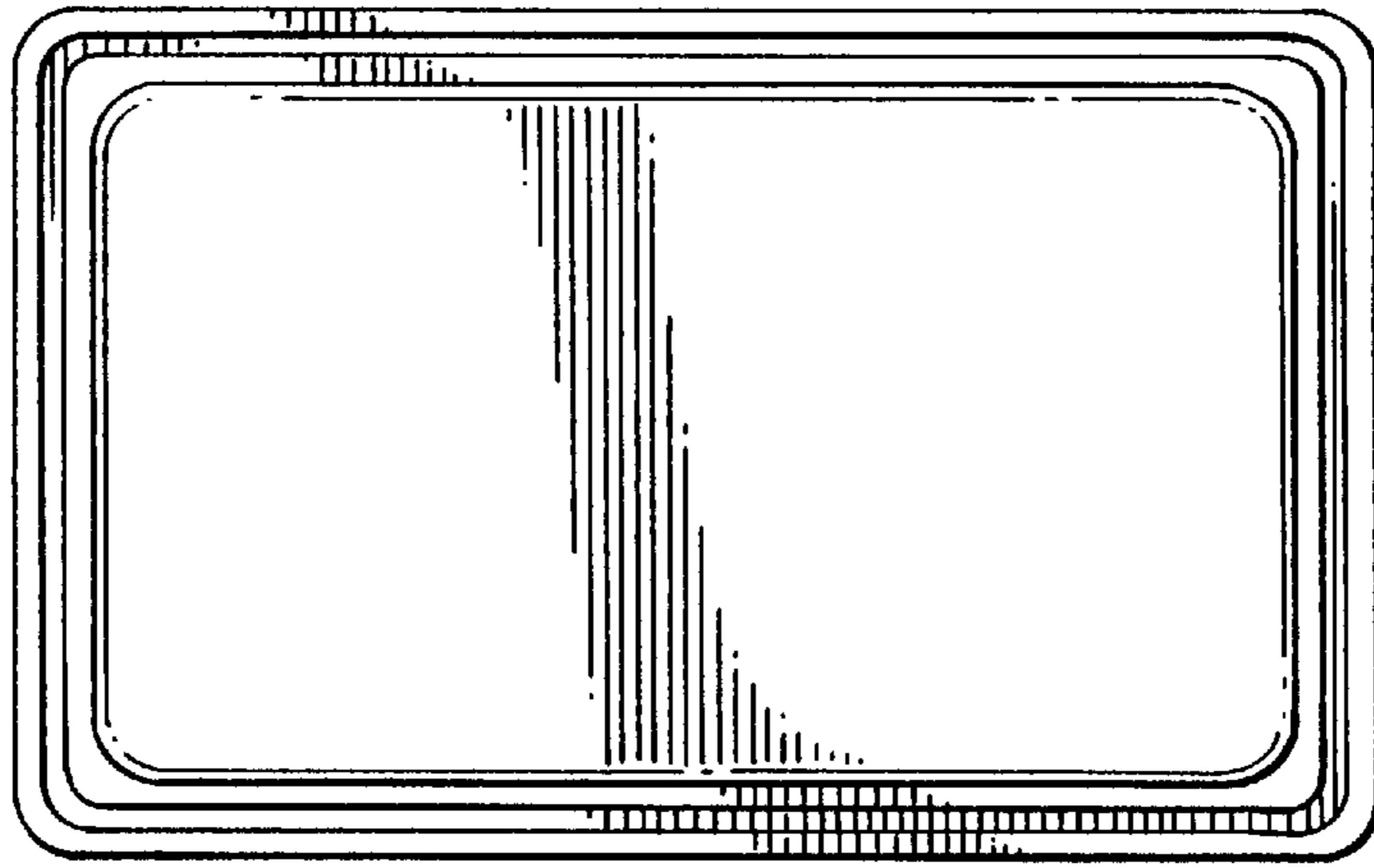


FIG. 4



FIG. 5