



US00D400053S

# United States Patent [19]

Coffee et al.

[11] Patent Number: Des. 400,053

[45] Date of Patent: \*\*Oct. 27, 1998

## [54] THERMOELECTRIC COOLER AND WARMER FOR FOOD

[75] Inventors: **Stephen L. Coffee; James J. J. Costello; Winthrop A. Eastman; Laurence R. Giles; Jonathan H. Godshall; Eve Heim-Grubb; Ninh G. Pham**, all of Houston, Tex.

[73] Assignee: **Igloo Products Corp.**, Houston, Tex.

[\*\*] Term: **14 Years**

[21] Appl. No.: **67,549**

[22] Filed: **Feb. 4, 1997**

[51] LOC (6) Cl. .... **07-06**

[52] U.S. Cl. .... **D7/605**

[58] Field of Search ..... D7/605-608; 62/3.64, 62/3.1, 3.2, 3.6, 3.7, 457.1, 457.7, 371, 372; 220/410, 412

## [56] References Cited

### U.S. PATENT DOCUMENTS

- D. 349,007 7/1994 Costello .
- D. 352,420 11/1994 Costello .
- 4,320,626 3/1982 Donnelly .
- 4,889,257 12/1989 Steffes .
- 5,301,508 4/1994 Kahl et al. .
- 5,319,937 6/1994 Fritsch et al. .

*Primary Examiner*—Terry A. Wallace  
*Attorney, Agent, or Firm*—Cushman Darby & Cushman Intellectual Property Group of Pillsbury Madison & Sutro, LLP

## [57] CLAIM

The ornamental design for thermoelectric cooler and warmer for food, as shown and described.

## DESCRIPTION

FIG. 1 is a front elevation view of a thermoelectric cooler and warmer for food showing our new design;

FIG. 2 is a right end elevation view thereof;

FIG. 3 is a top plan view thereof;

FIG. 4 is a left end elevation view thereof;

FIG. 5 is a rear elevation view thereof;

FIG. 6 is a perspective view thereof from the front, top and right end, with the handle down and the tray and lid closed;

FIG. 7 is a perspective view thereof from the front, top and right end, with the handle up and the tray and lid closed;

FIG. 8 is an exploded perspective view thereof from the front, top and right end, with the handle down and the tray and lid detached from each other and from the thermoelectric cooler and warmer;

FIG. 9 is a perspective view thereof from the front, top and right end, with the handle down and the lid open and the tray attached to the lid;

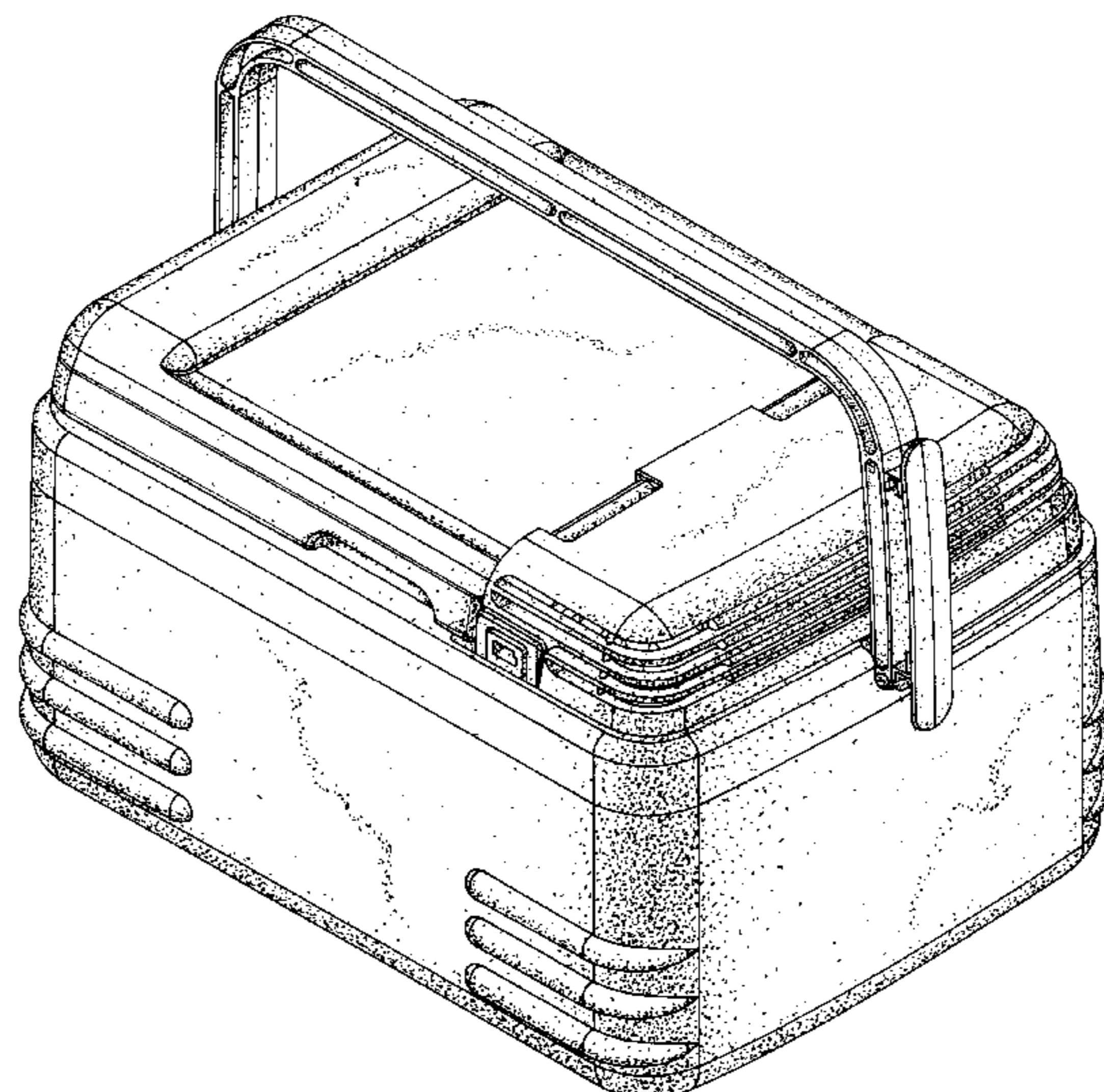
FIG. 10 is a perspective view thereof from the back, top and left end, with the handle down and the lid open and the tray attached to the lid;

FIG. 11 is a perspective view thereof from the front, top and right end, with the handle down, the lid closed, and the tray open;

FIG. 12 is a perspective view thereof from the back, top and left end, with the handle down, the lid closed, and the tray open; and,

FIG. 13 is a perspective view thereof from the front, top and right end, with the handle down, the lid open, and the tray open.

**1 Claim, 13 Drawing Sheets**



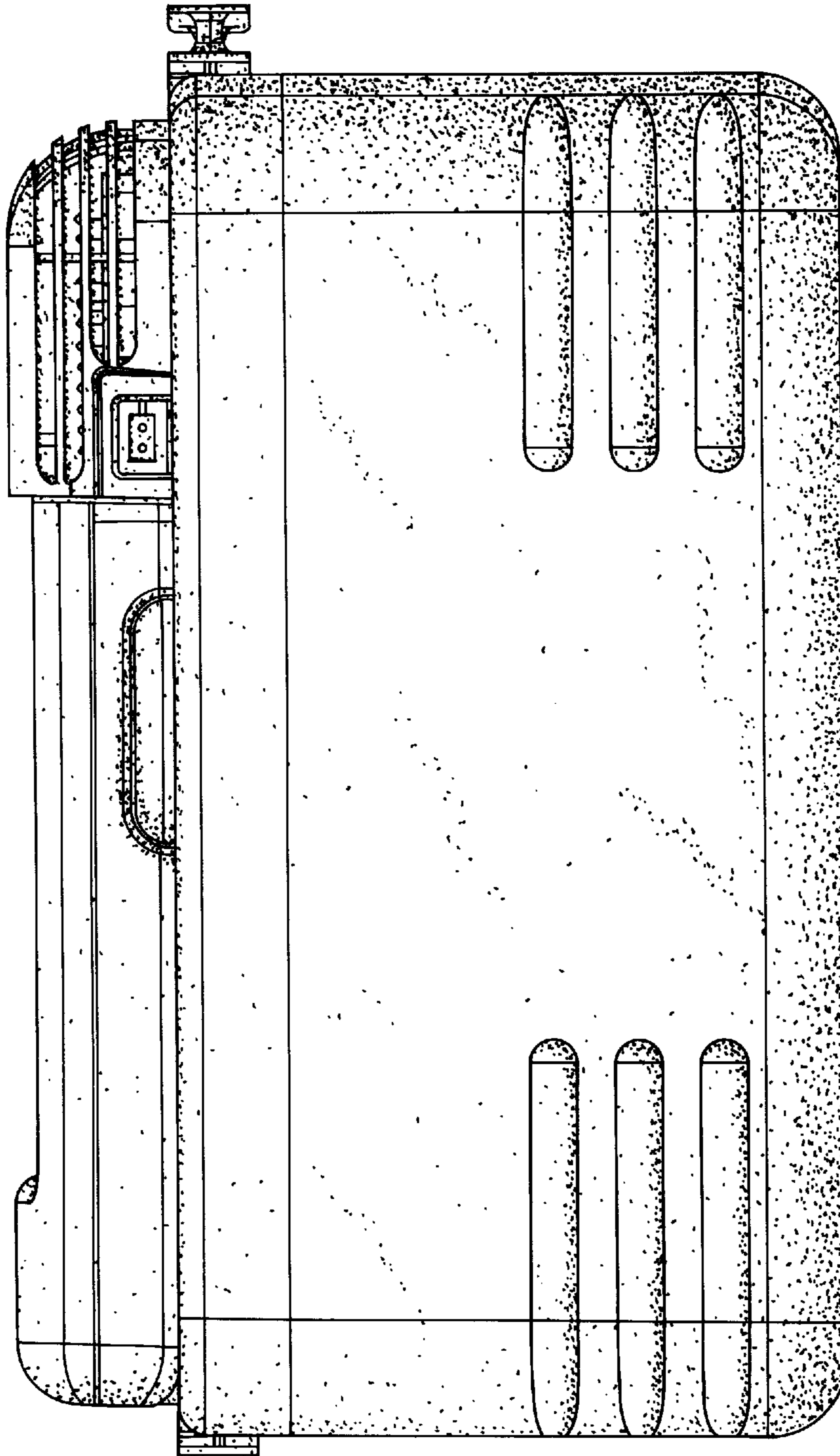


FIG. 1

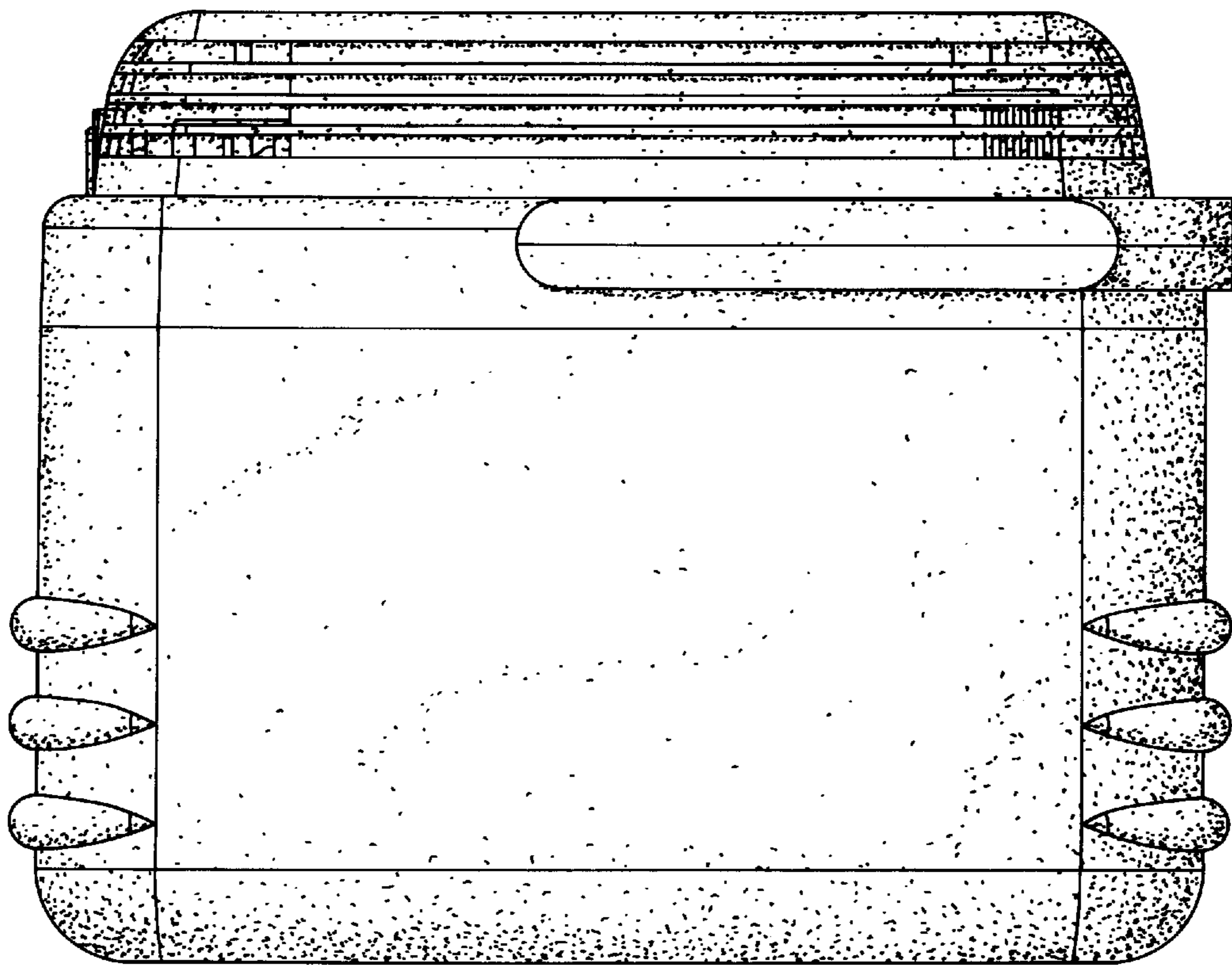


FIG. 2

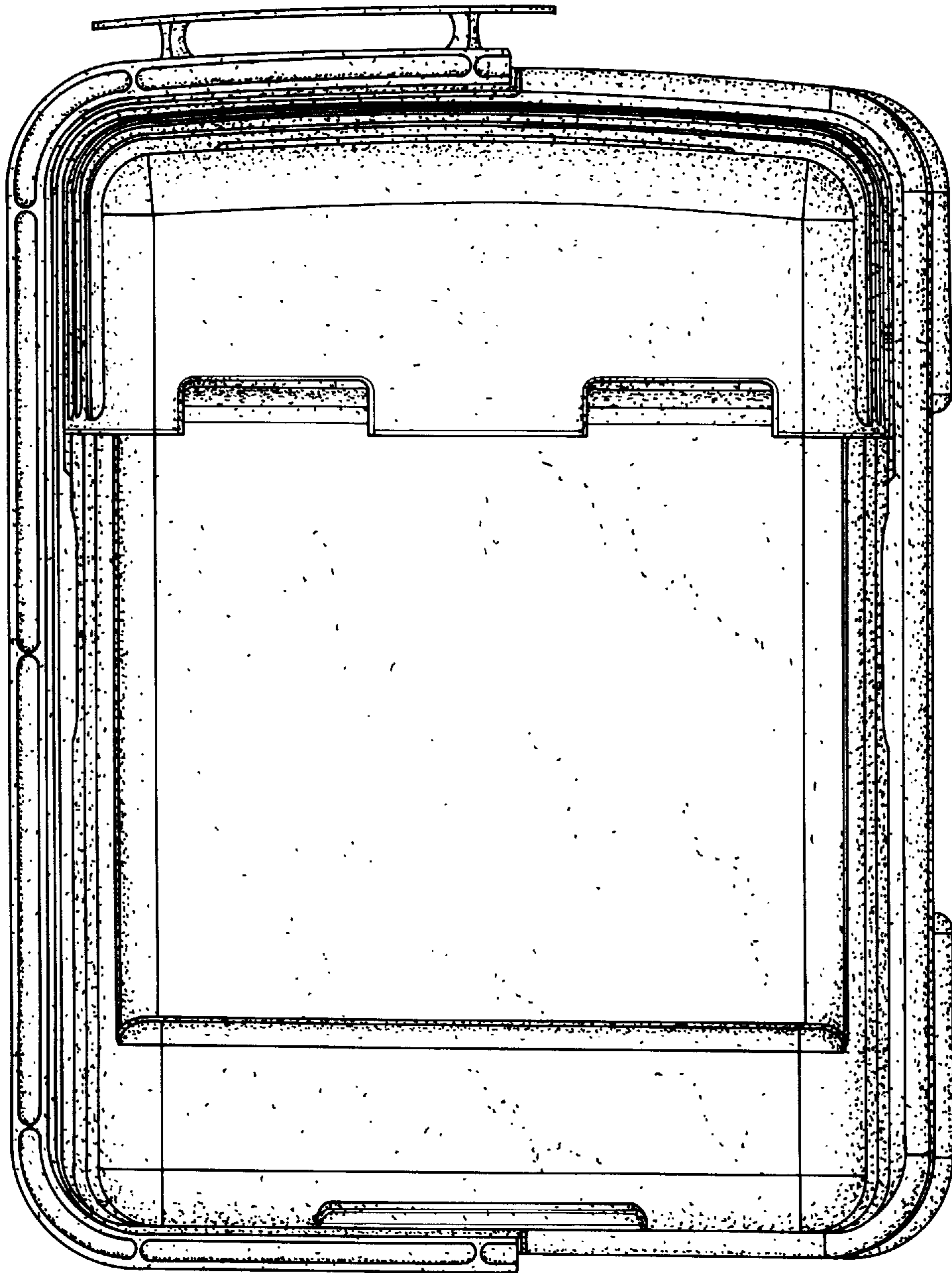


FIG. 3

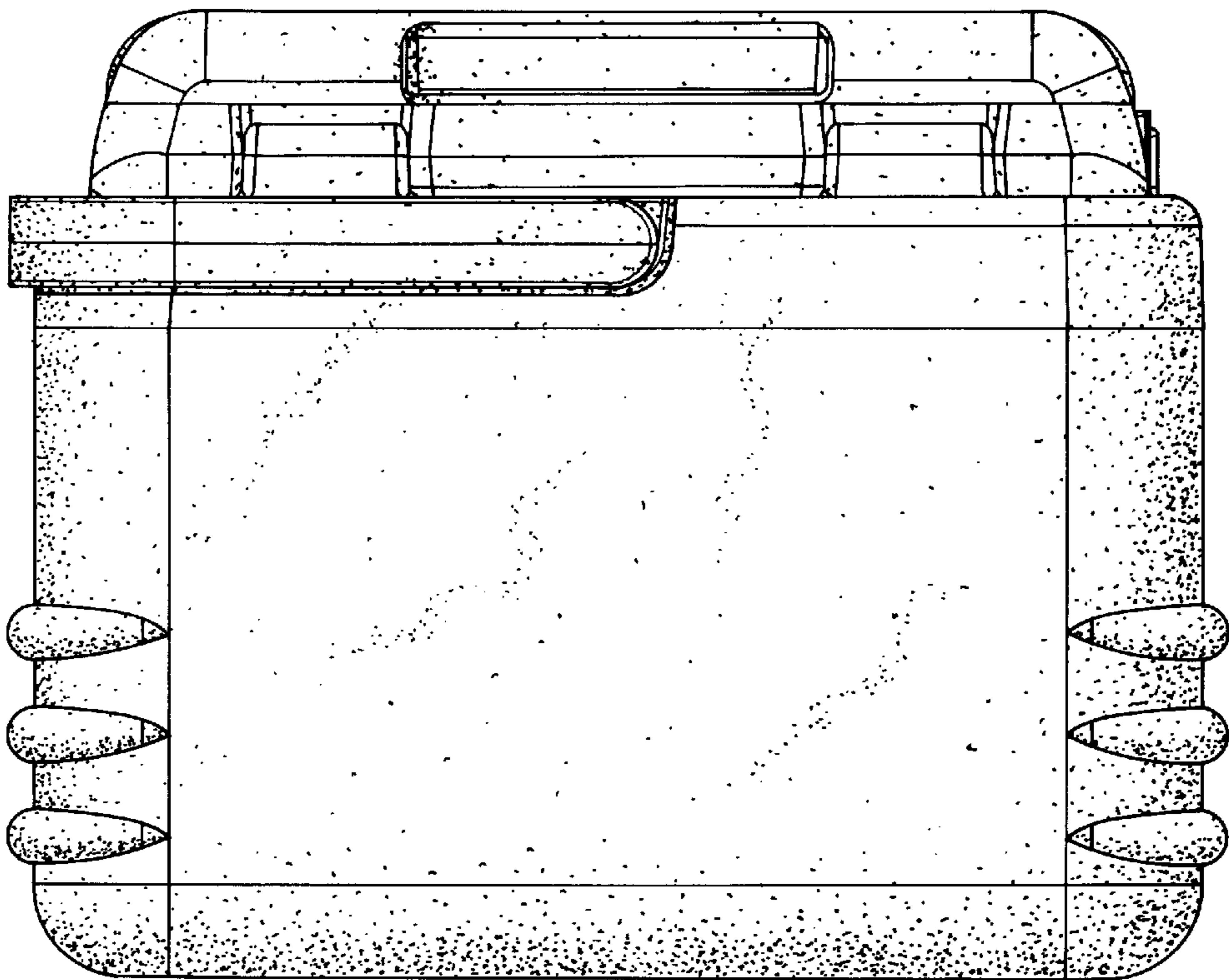


FIG. 4

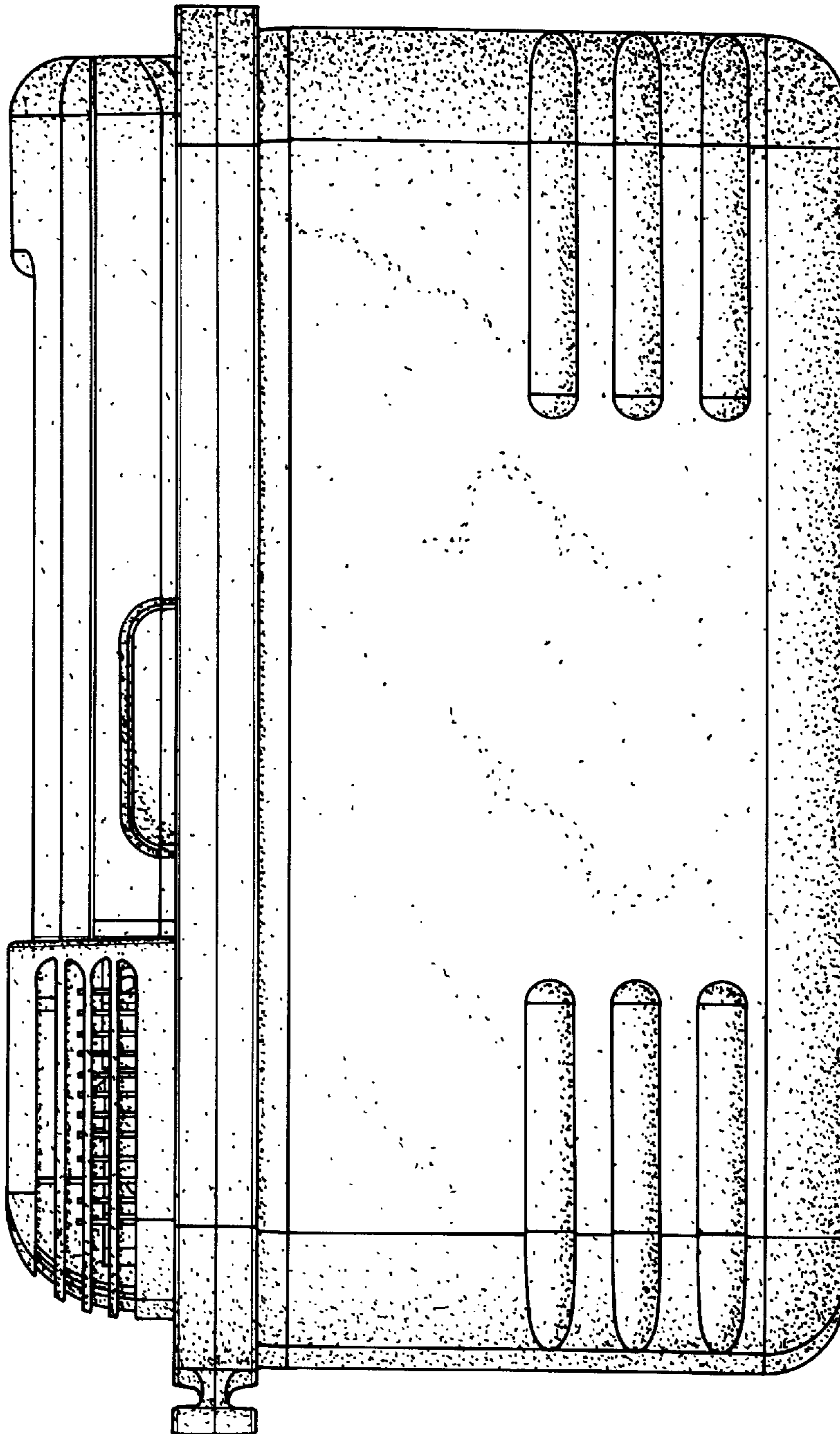


FIG. 5

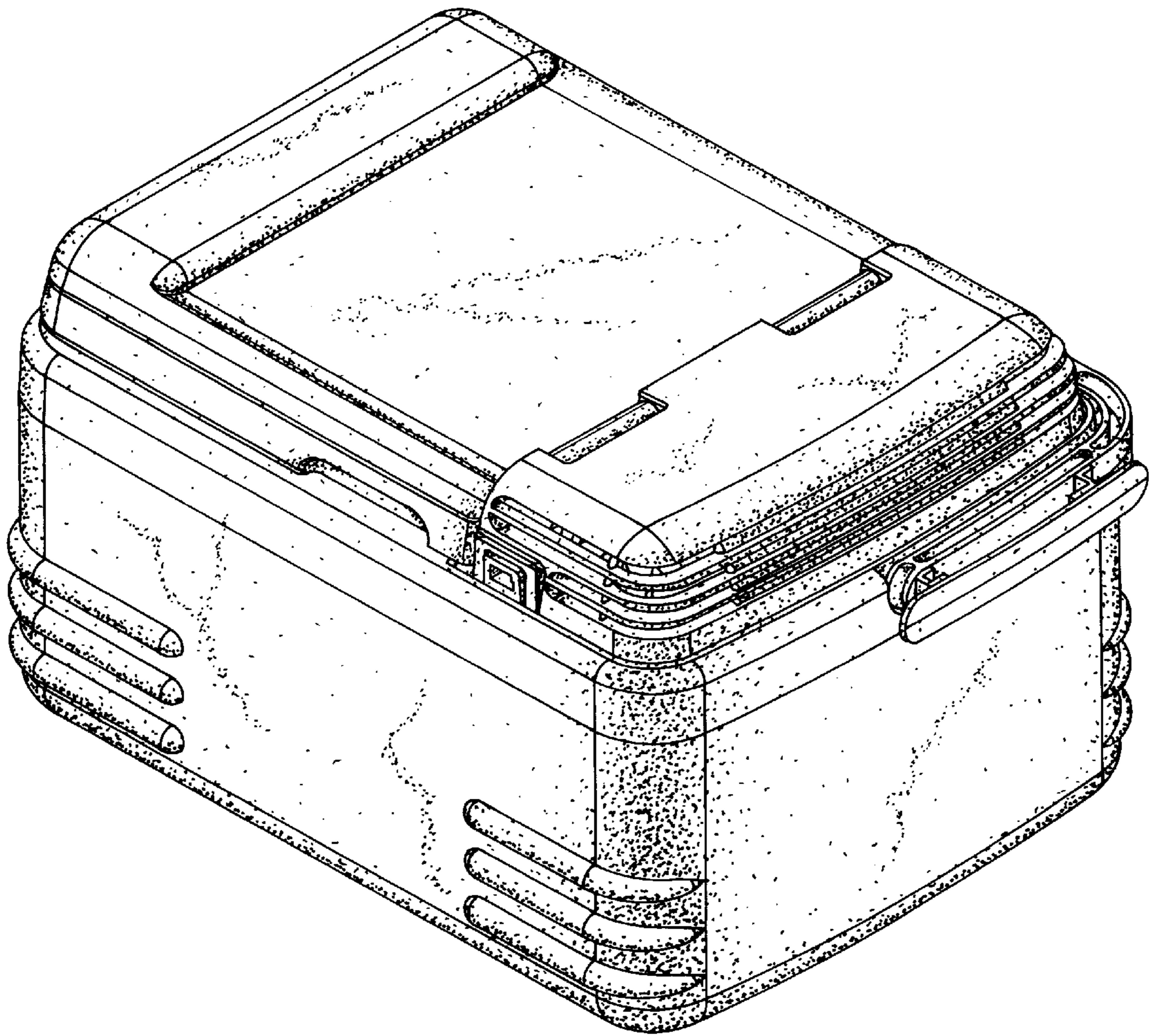


FIG. 6

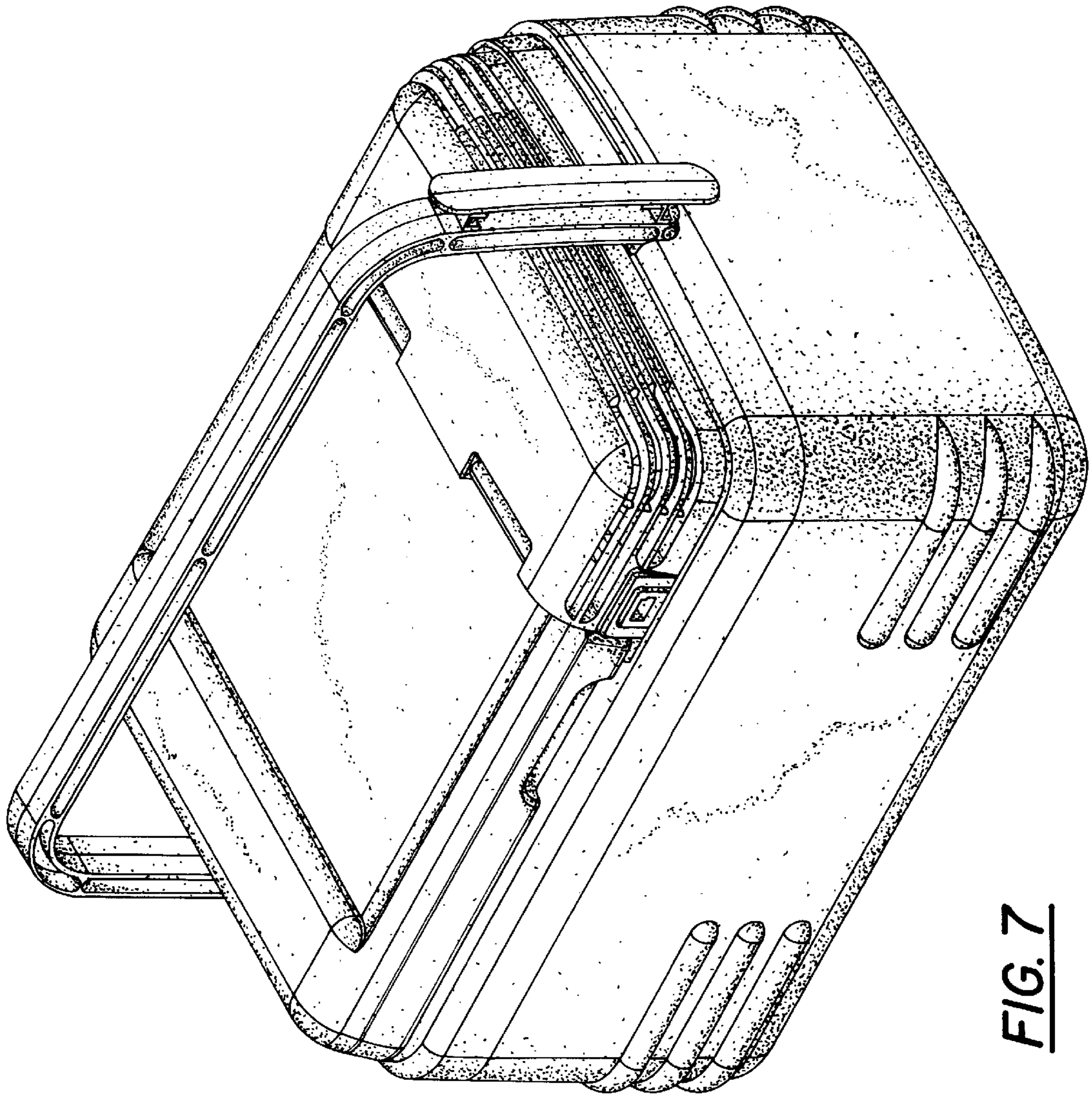


FIG. 7



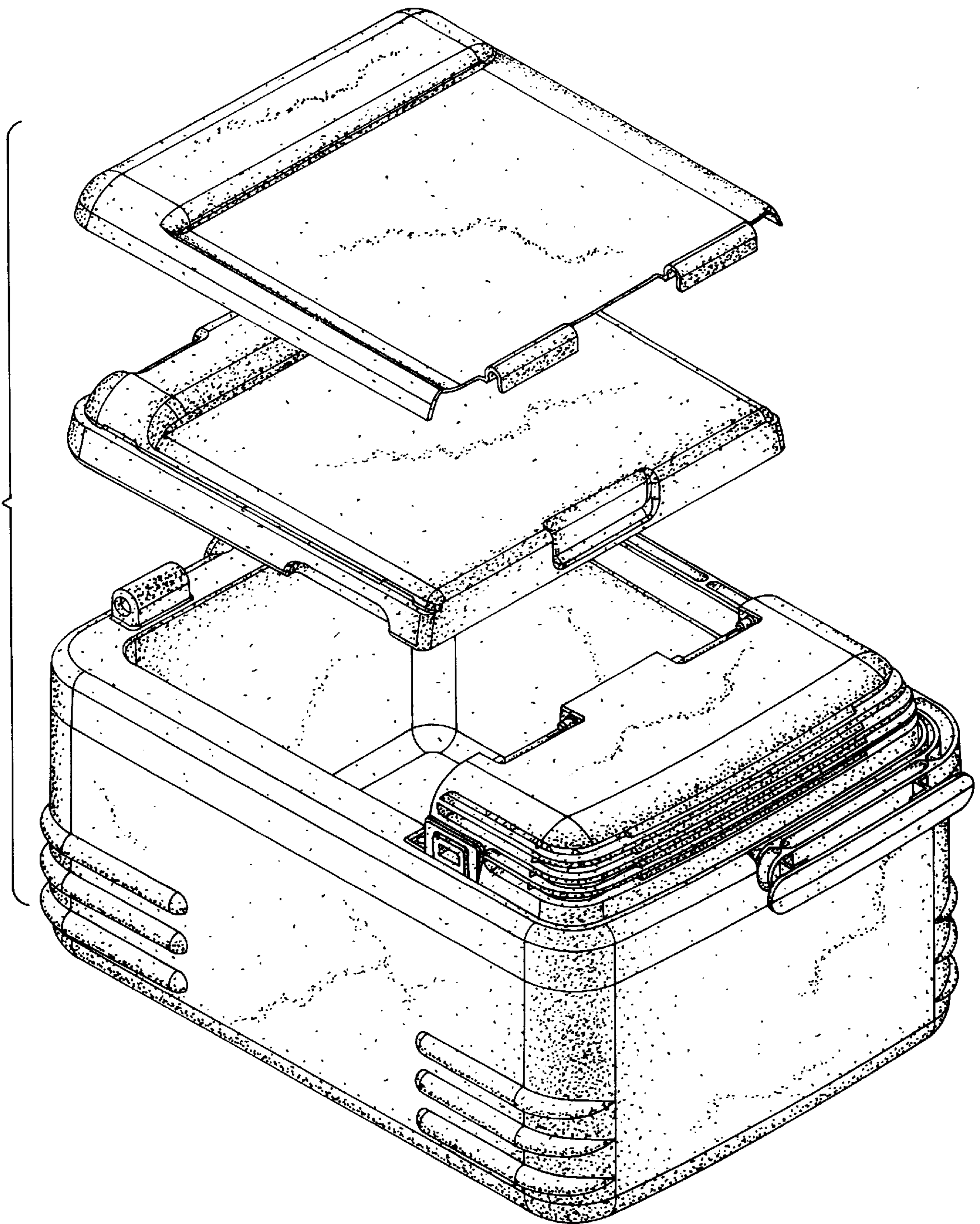


FIG. 8

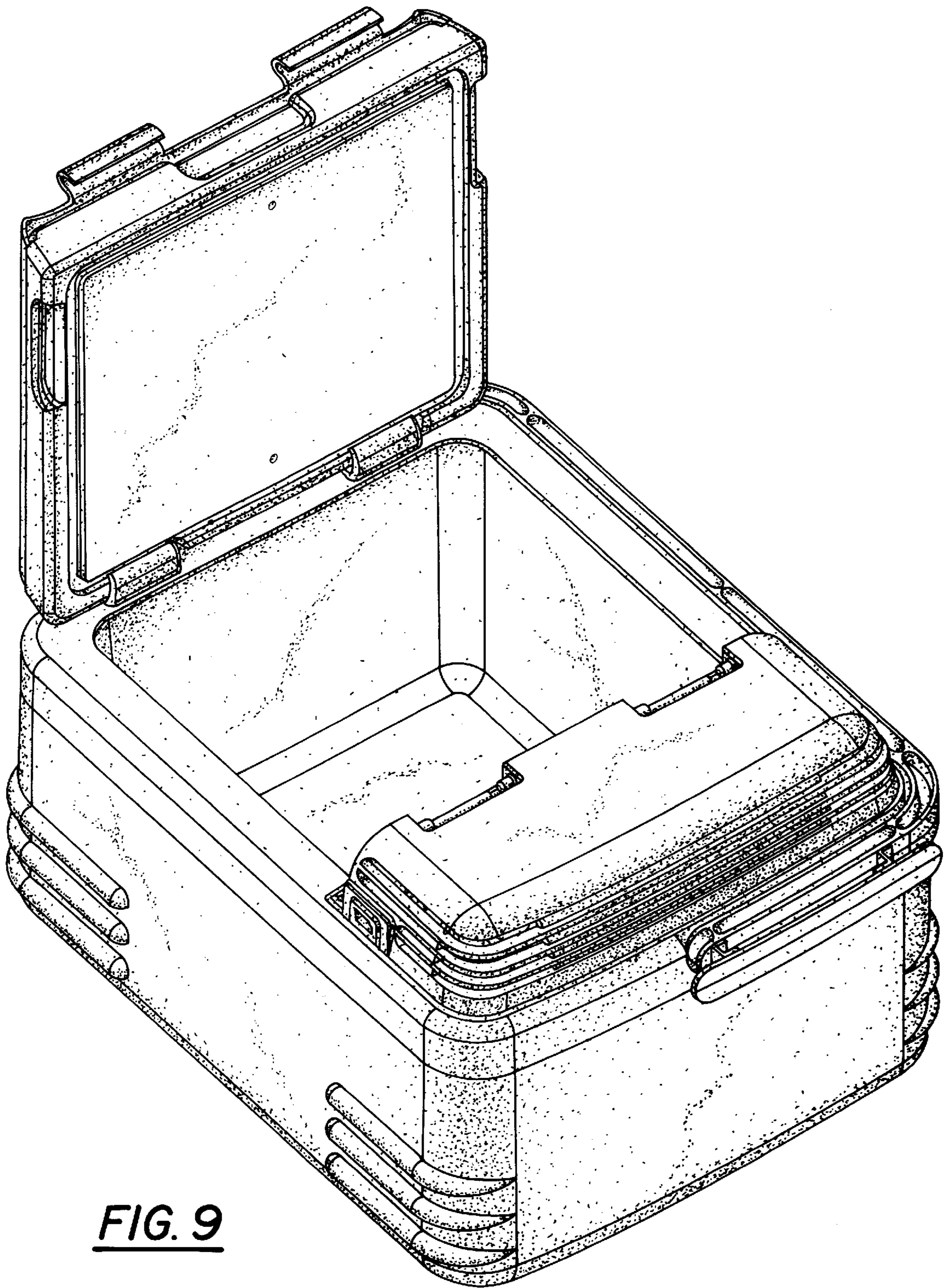


FIG. 9

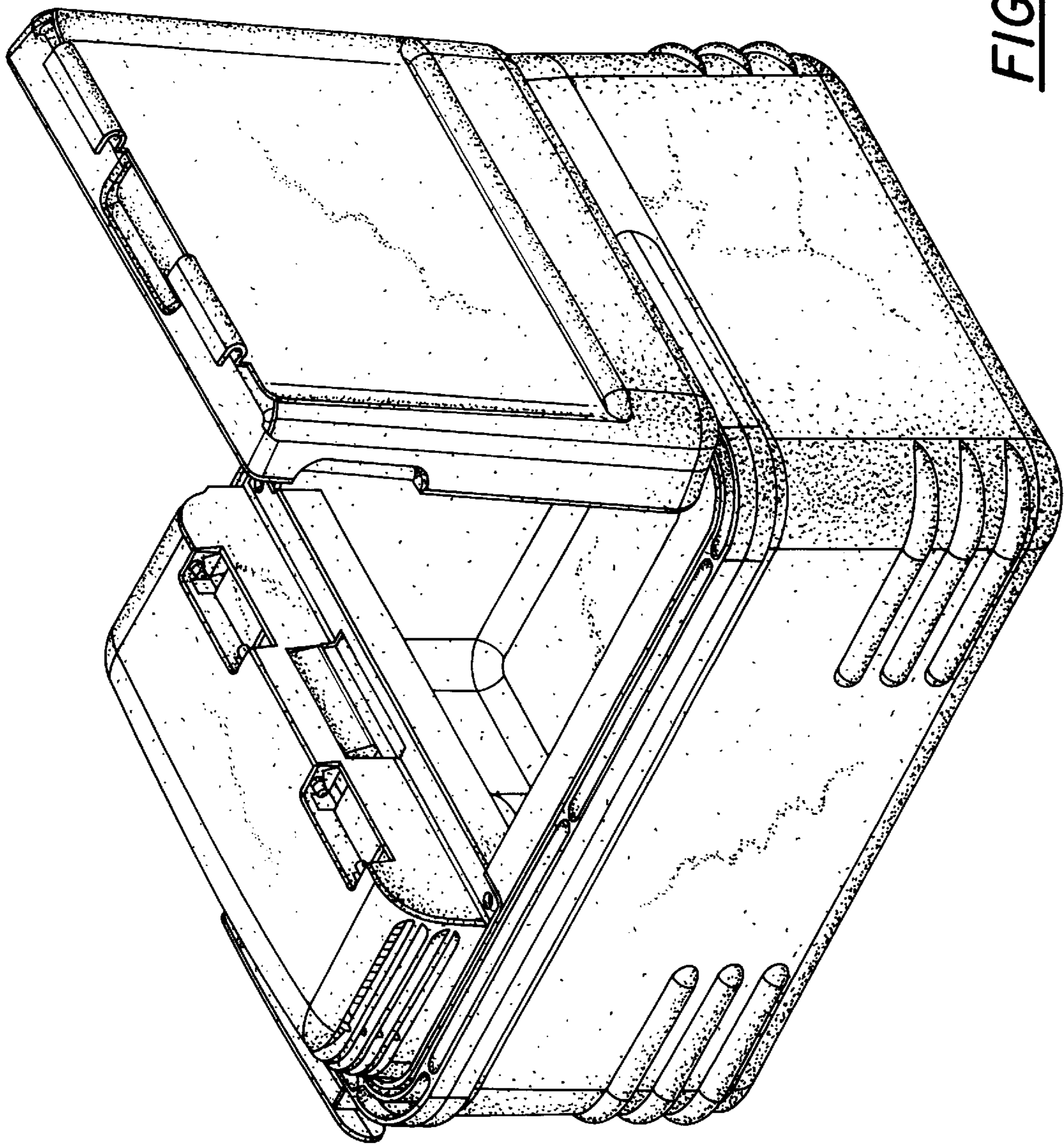
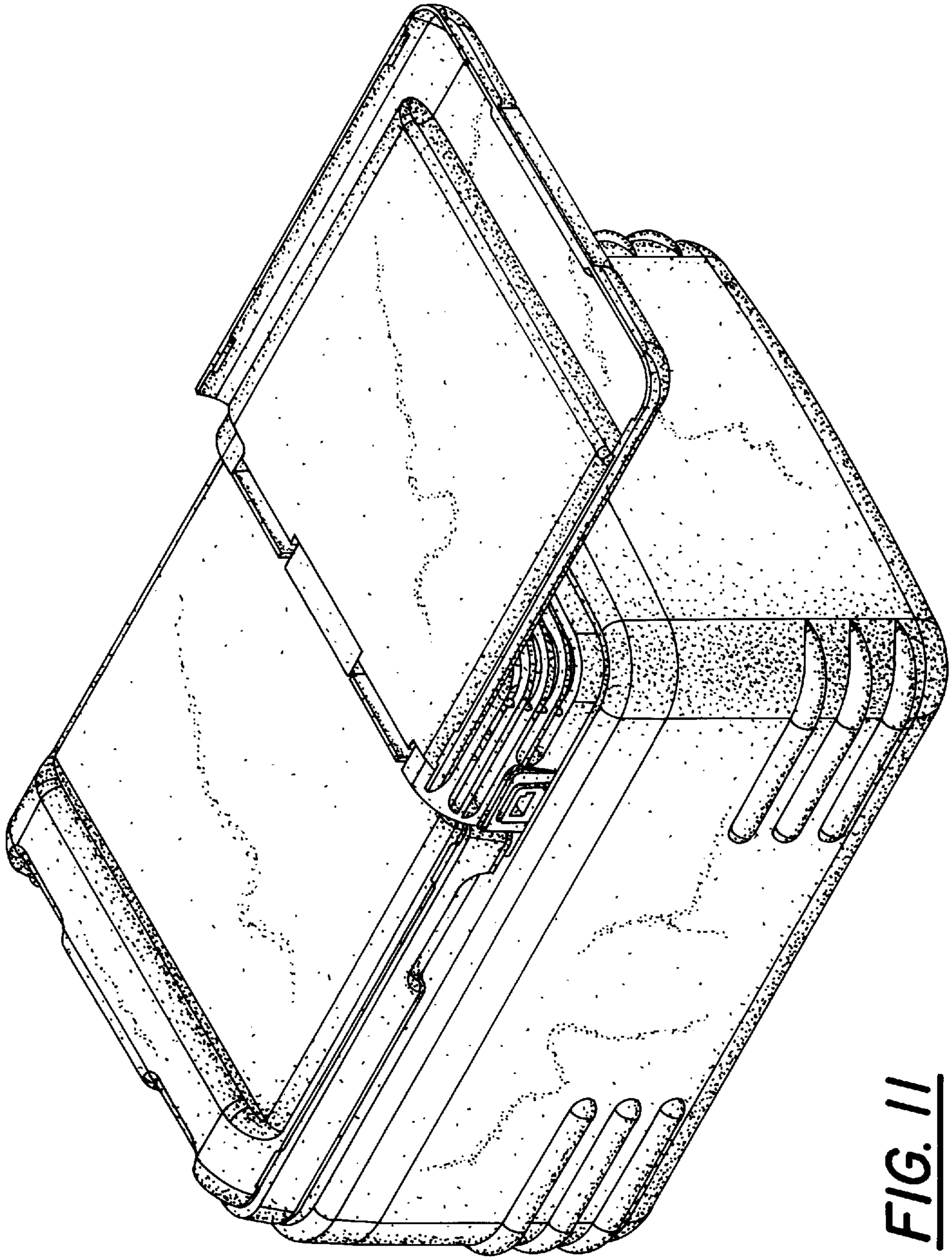


FIG. 10



**FIG. 11**

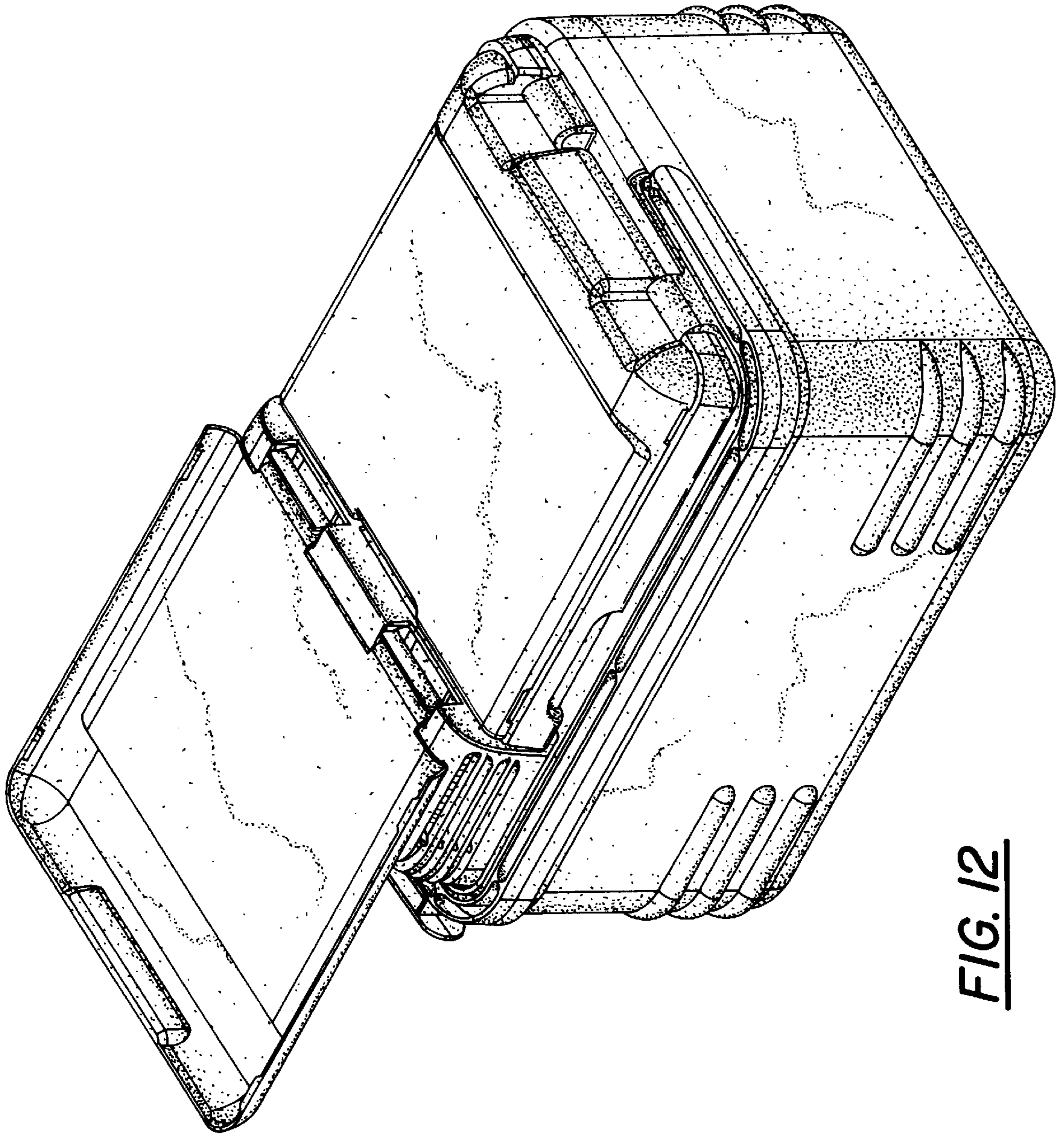


FIG. 12

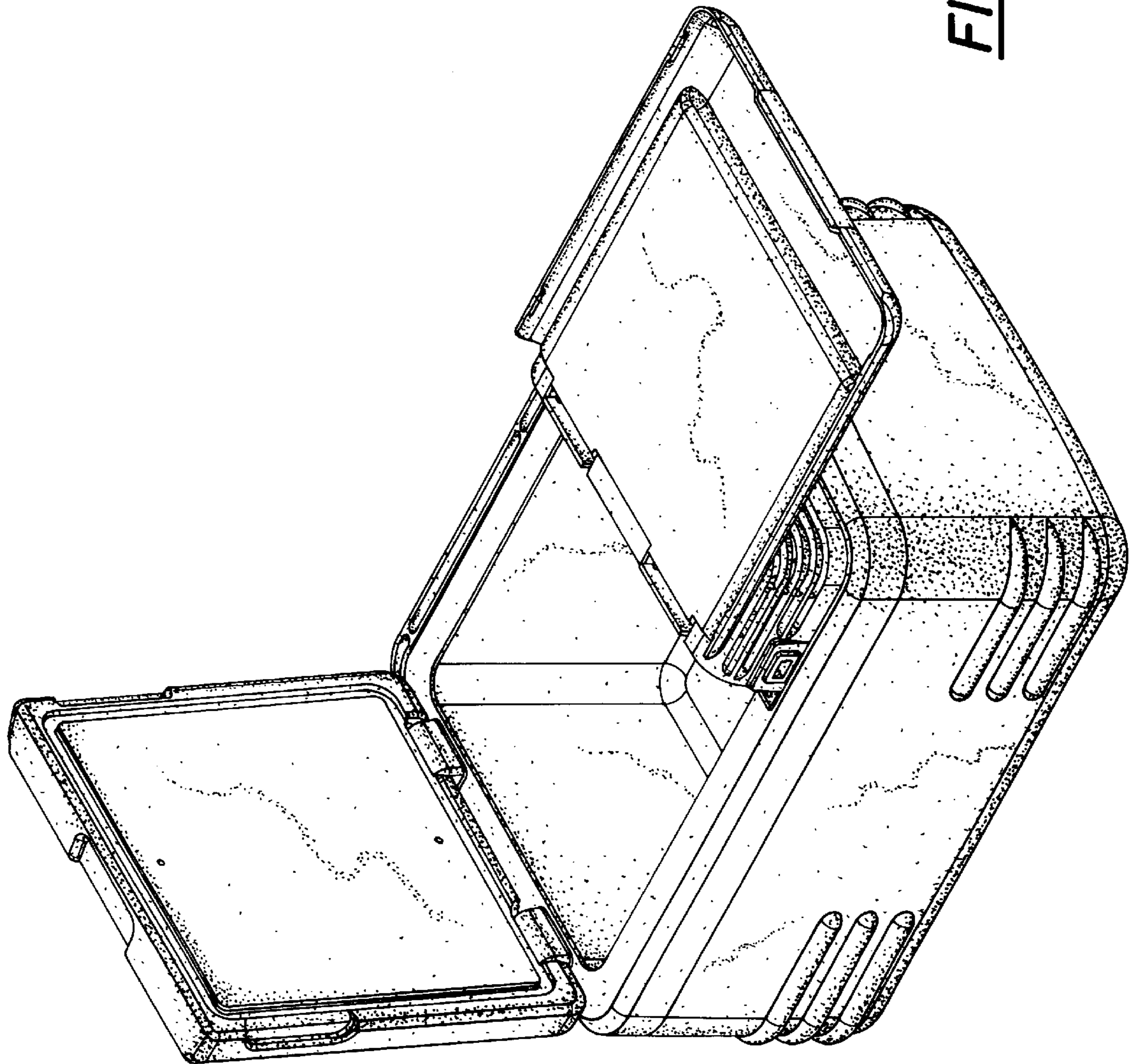


FIG. 13