



US00D400050S

**United States Patent** [19]  
**Littmann**

[11] **Patent Number: Des. 400,050**

[45] **Date of Patent: \*\*Oct. 27, 1998**

[54] **BOWL FOR FOOD PROCESSING WITH AN ATTACHABLE DRIVE UNIT**

[75] **Inventor: Ludwig Littmann, Keonberg, Germany**

[73] **Assignee: Braun Aktiengesellschaft, Germany**

[\*\*] **Term: 14 Years**

[21] **Appl. No.: 77,237**

[22] **Filed: Oct. 1, 1997**

[30] **Foreign Application Priority Data**

Apr. 2, 1997 [XH] Hague Agreement ..... DMA003670

[51] **LOC (6) Cl. .... 31-00**

[52] **U.S. Cl. .... D7/412**

[58] **Field of Search ..... D7/376-386, 412-415;**  
241/37.5, 92, 93, 101.1, 199.12, 282.1,  
282.2

[56] **References Cited**

**U.S. PATENT DOCUMENTS**

D. 255,861 7/1980 Hsu ..... D7/381 X

D. 315,657 3/1991 Ruttimann ..... D7/384 X  
D. 318,398 7/1991 Disco ..... D7/378  
D. 320,326 10/1991 Barrault ..... D7/381  
D. 332,201 1/1993 Beeren ..... D7/376 X  
D. 369,944 5/1996 Cartellone ..... D7/412  
D. 372,397 8/1996 Littmann et al. .... D7/413

*Primary Examiner*—Caron D. Veynar  
*Attorney, Agent, or Firm*—Fish & Richardson P.C.

[57] **CLAIM**

The ornamental design for a bowl for food processing with an attachable drive unit, as shown and described.

**DESCRIPTION**

FIG. 1 is a perspective right-side front elevational view of a bowl for food processing with an attachable drive unit, showing my design;

FIG. 2 is a front view thereof;

FIG. 3 is a right side view thereof;

FIG. 4 is a left side view thereof;

FIG. 5 is a rear view thereof;

FIG. 6 is a top plan view thereof; and,

FIG. 7 is a bottom plan view thereof.

**1 Claim, 4 Drawing Sheets**

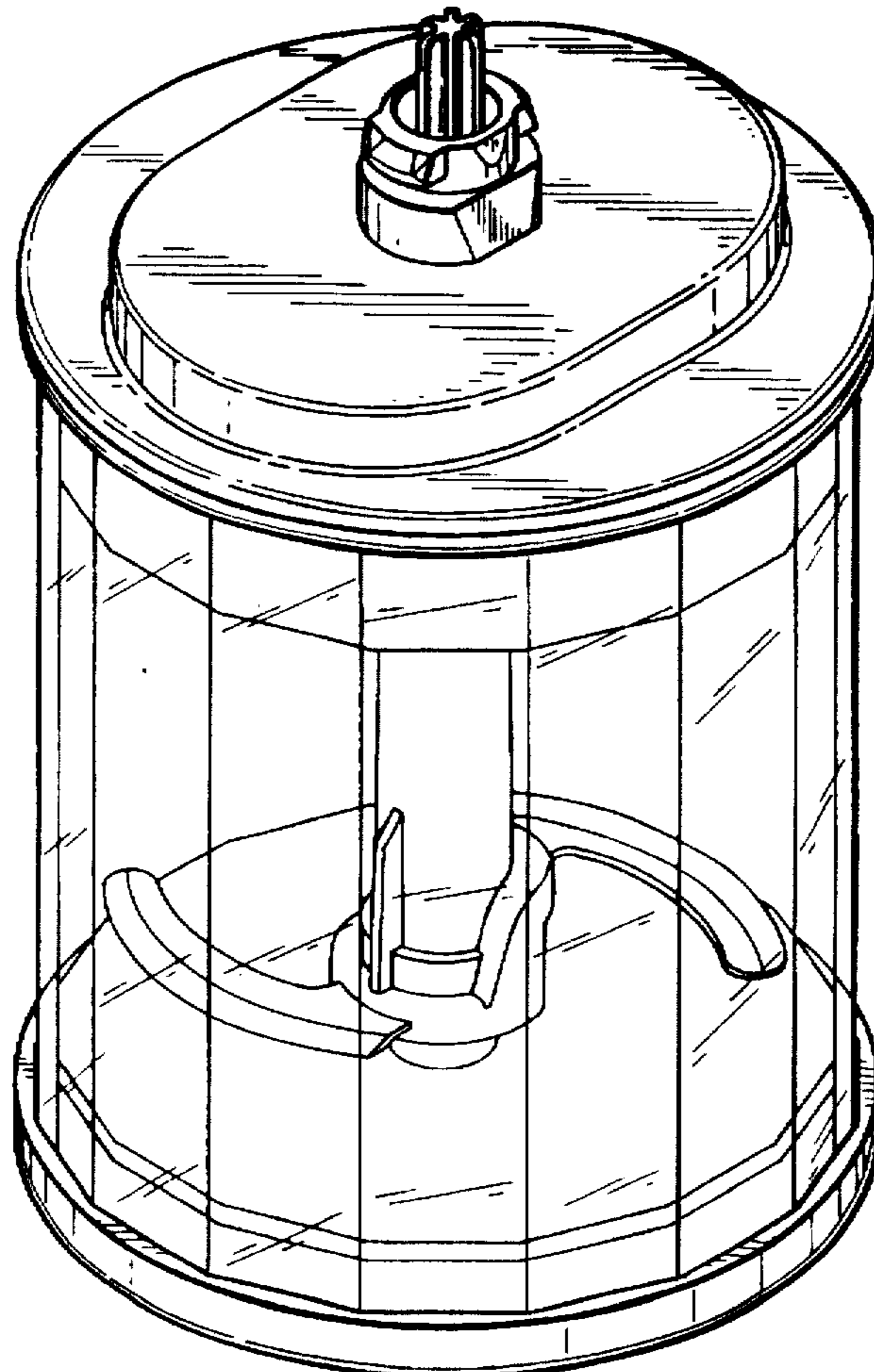


Fig. 1

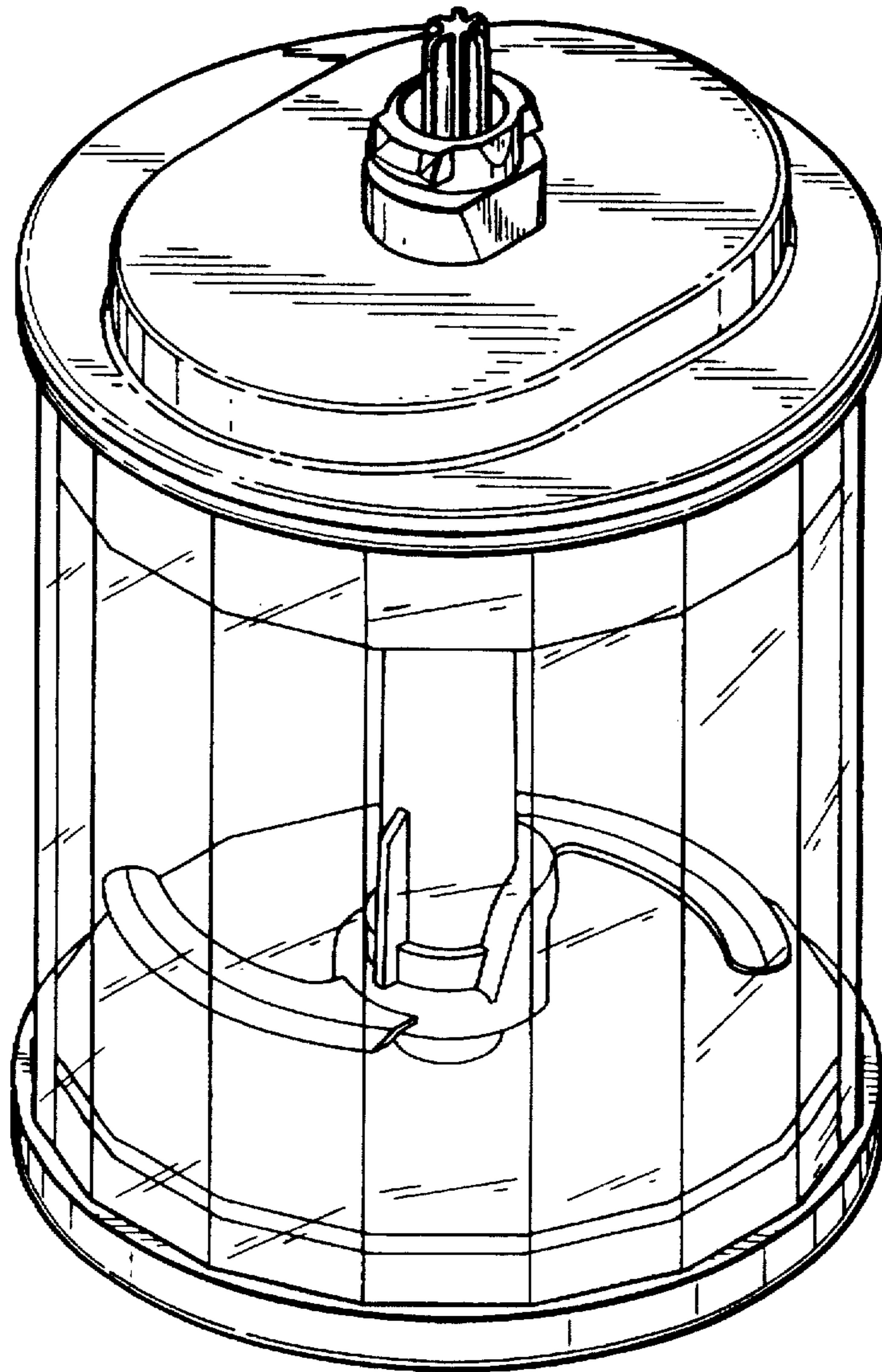


Fig. 6

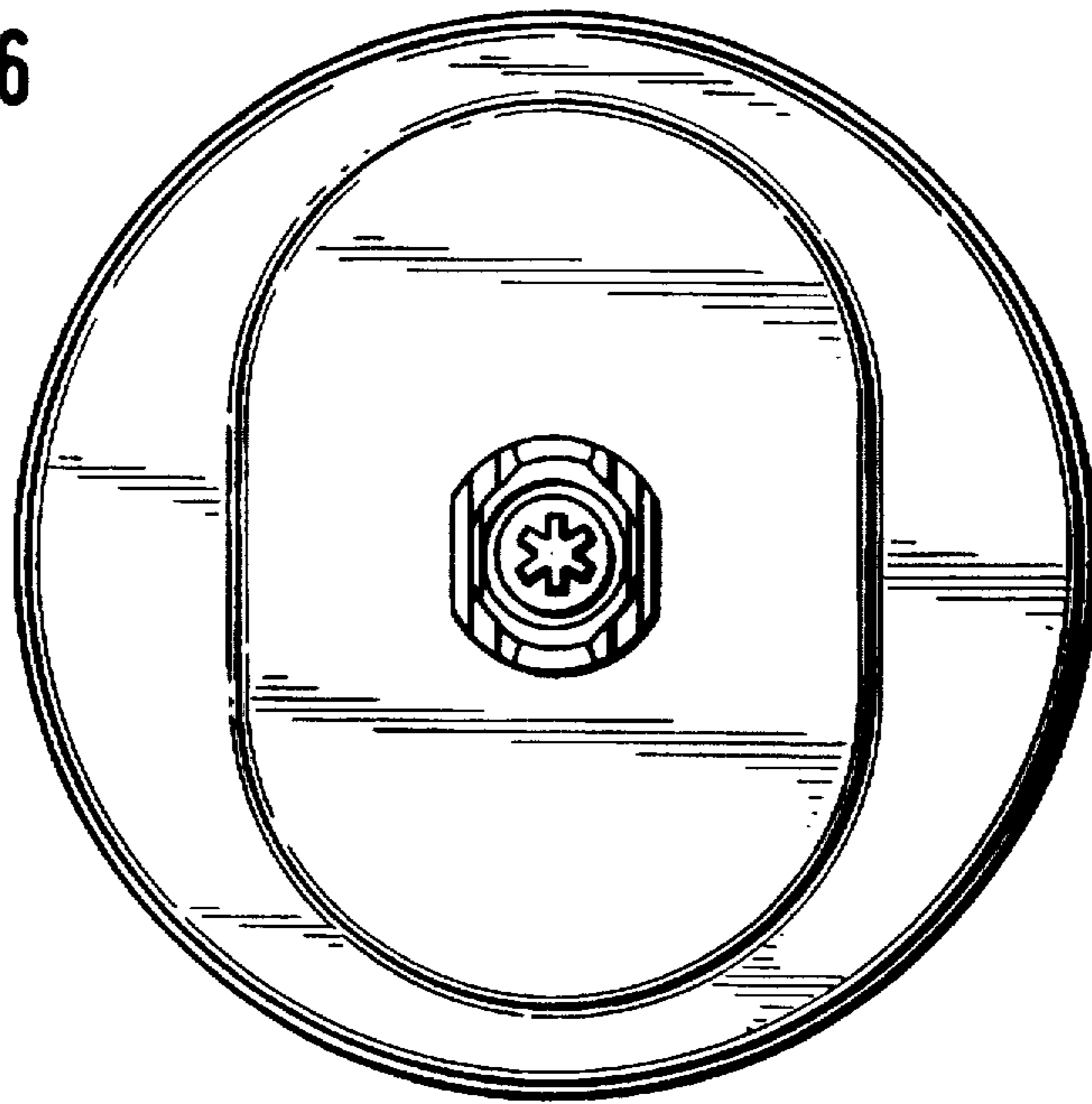


Fig. 2

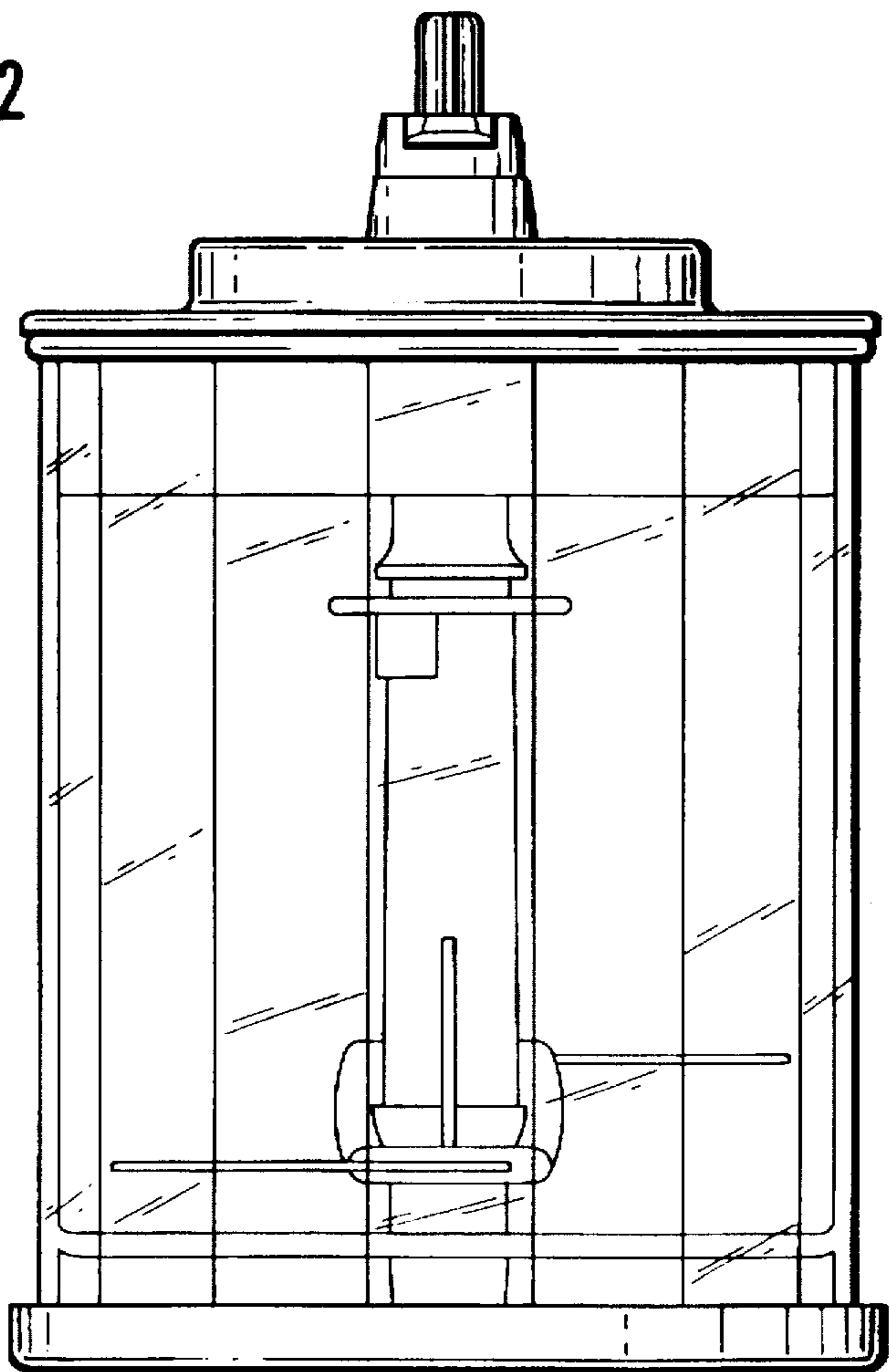


Fig. 3

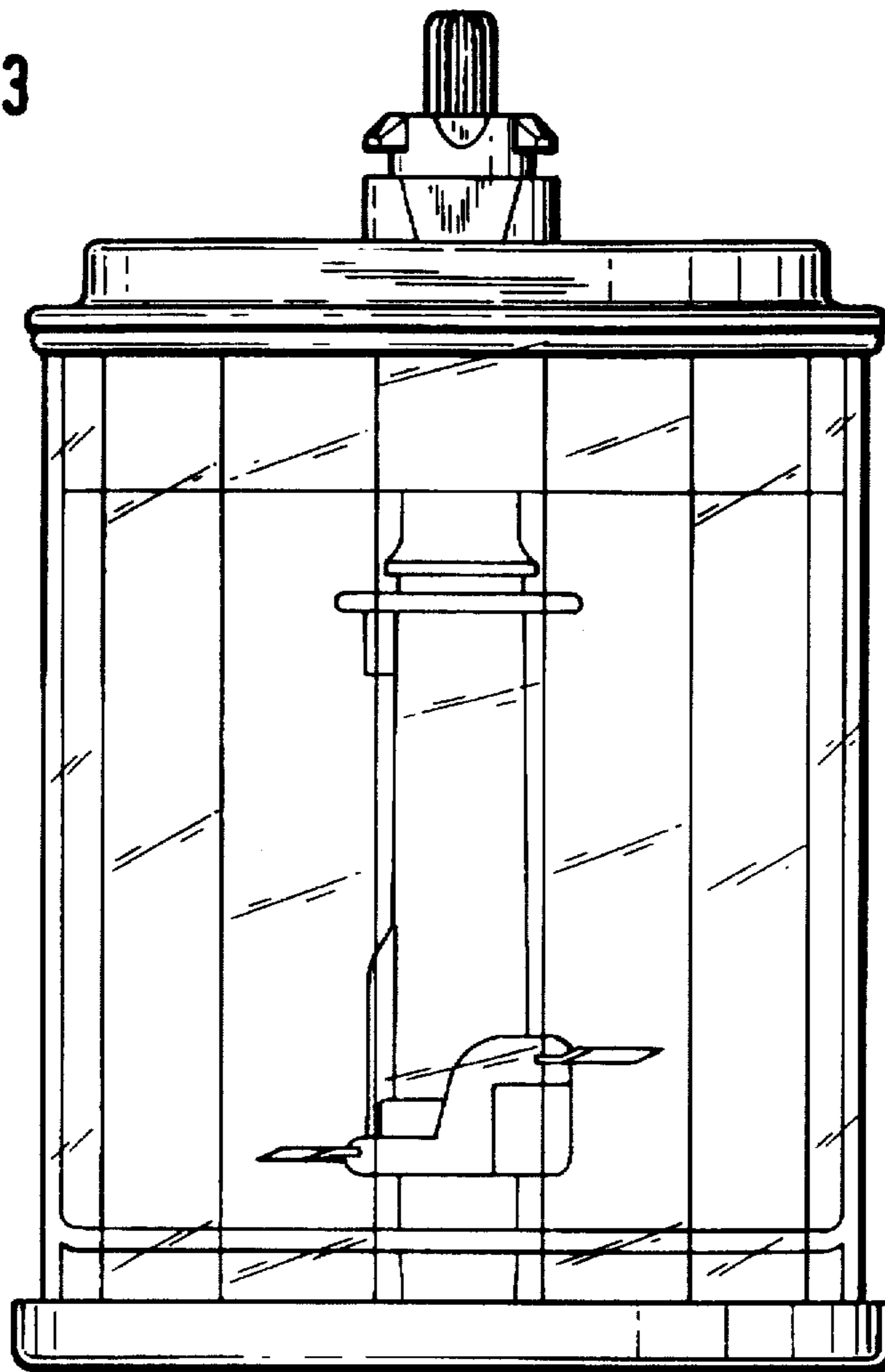
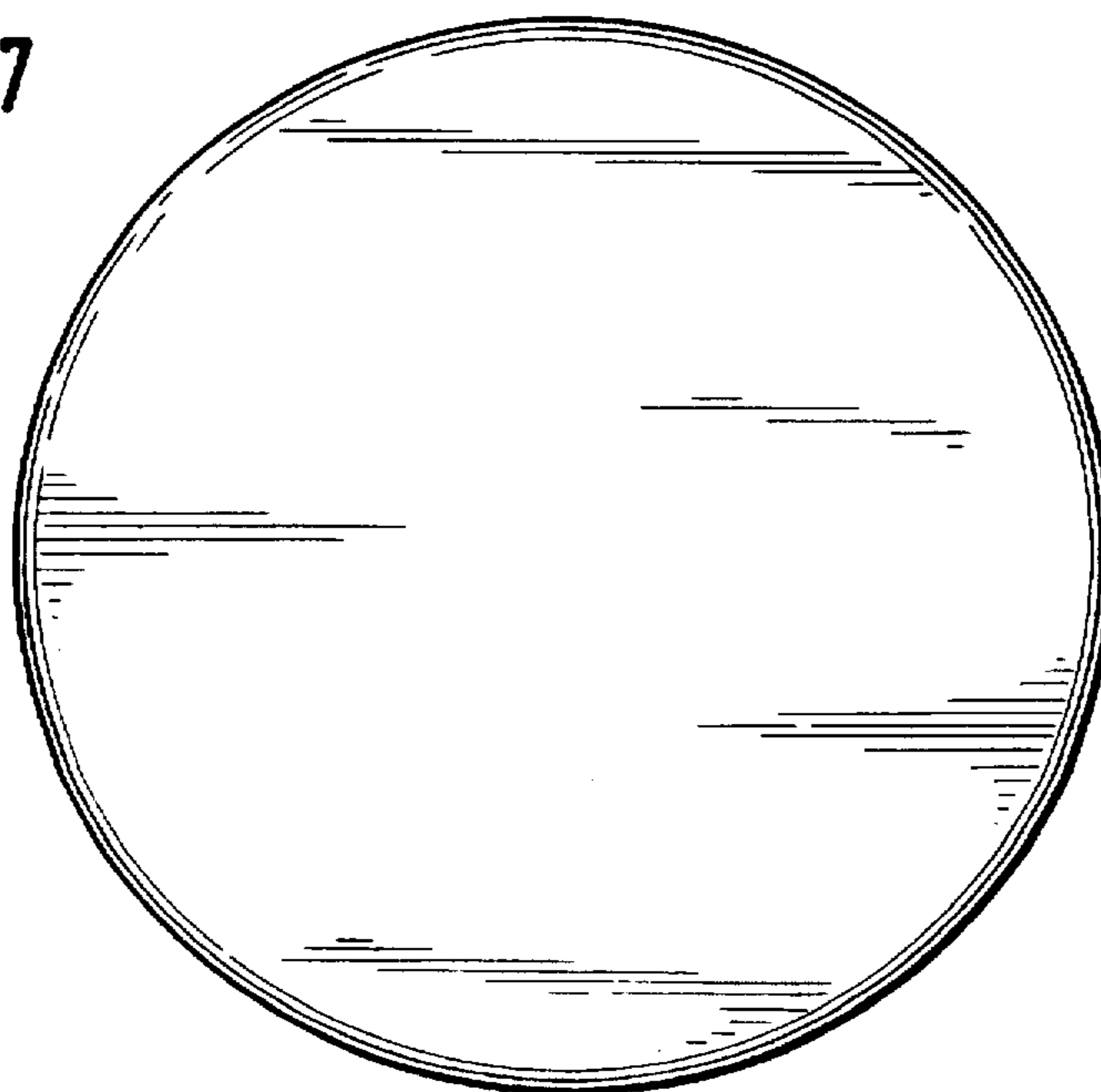


Fig. 7



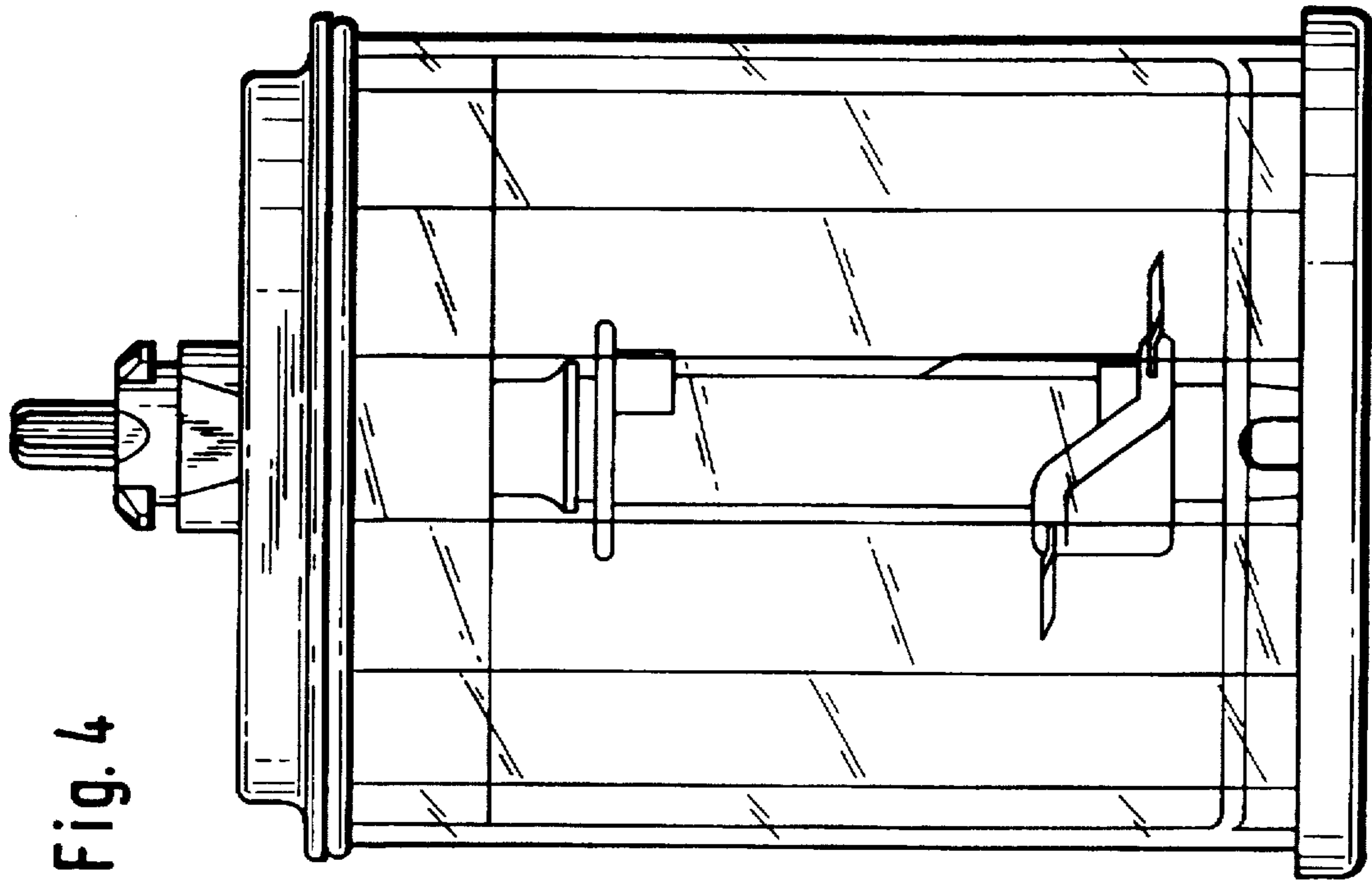


Fig. 4

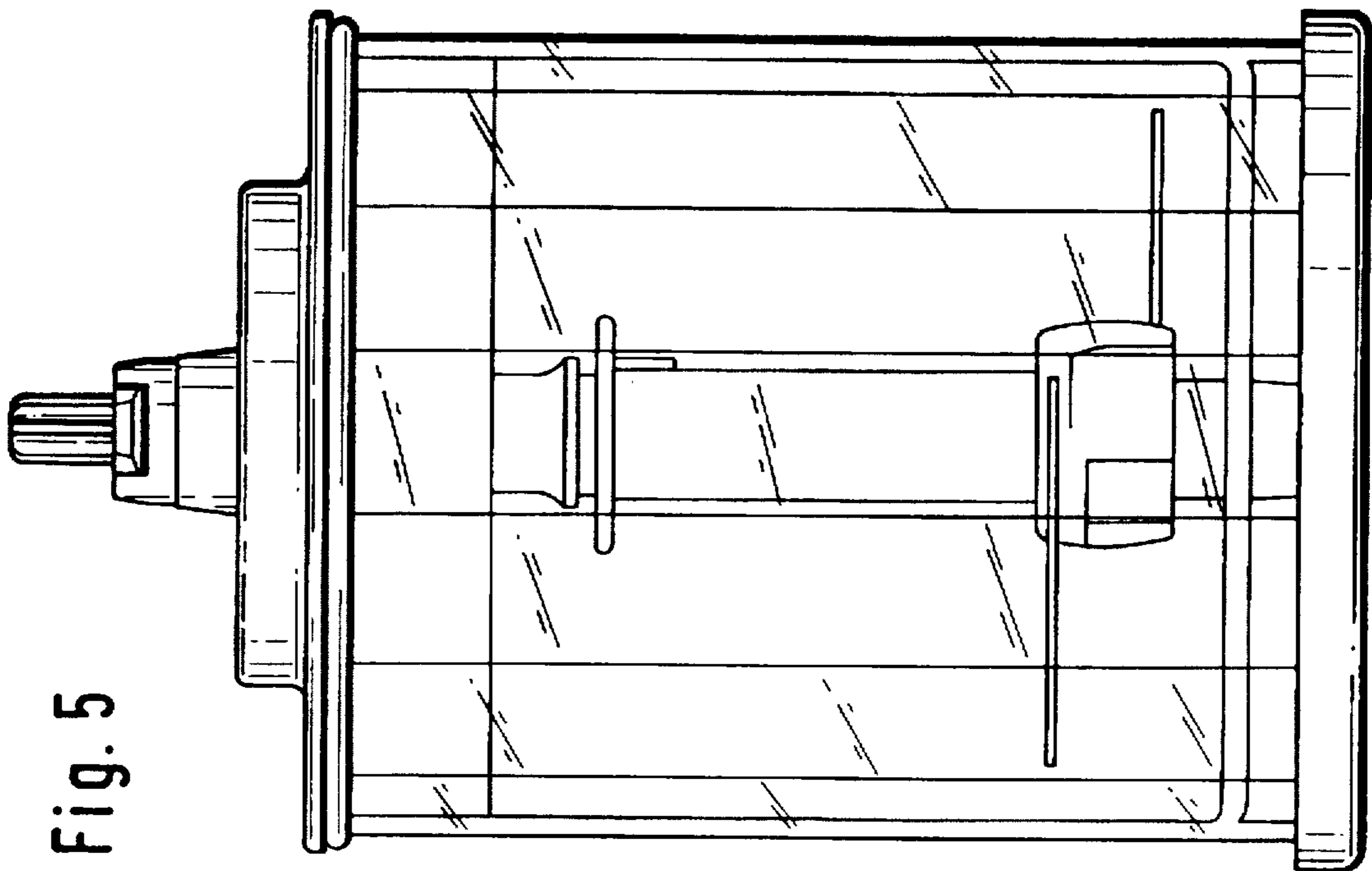


Fig. 5