



US00D400048S

United States Patent [19]
Ollson

[11] **Patent Number: Des. 400,048**

[45] **Date of Patent: **Oct. 27, 1998**

[54] **HURRICANE PORTABLE BLENDER**

[76] Inventor: **John Ollson**, 14685 Seminole Trail,
Reno, Nev. 89511

[**] Term: **14 Years**

[21] Appl. No.: **77,843**

[22] Filed: **Oct. 10, 1997**

[51] **LOC (6) Cl. 31-00**

[52] **U.S. Cl. D7/378**

[58] **Field of Search D7/376, 378, 386,**
D7/412, 413; 366/129, 197, 205

[56] **References Cited**

U.S. PATENT DOCUMENTS

- D. 228,698 10/1973 Barnard et al. D7/378
- D. 336,590 6/1993 Barnard D7/378
- D. 387,948 12/1997 Leverrier D7/378

Primary Examiner—Caron D. Veynar
Attorney, Agent, or Firm—Brian C. Kelly JD LLM

[57] **CLAIM**

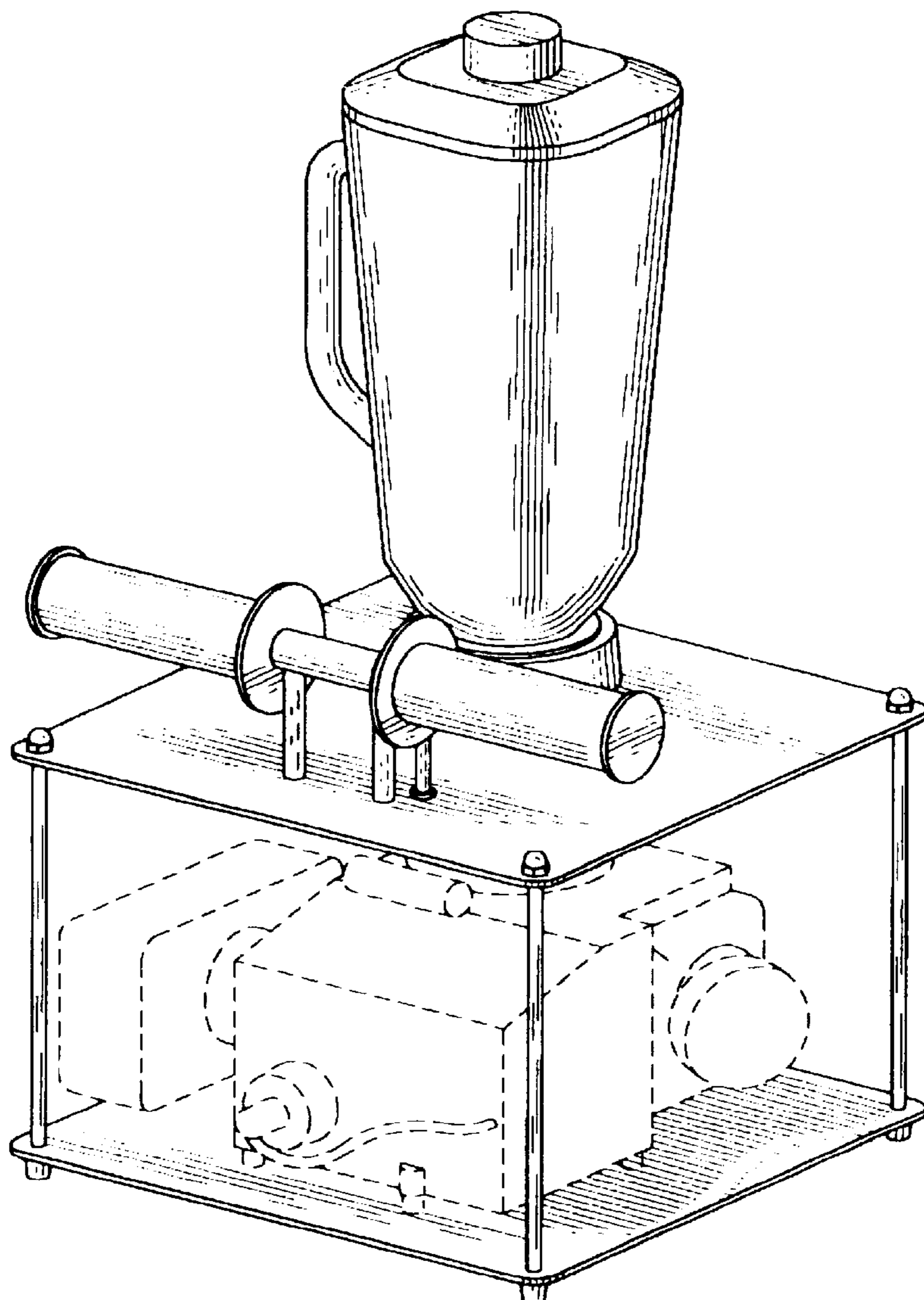
The ornamental design for a hurricane portable blender, as shown and described.

DESCRIPTION

FIG. 1 reveals a perspective view of the device;
FIG. 2 is a top view of the device;
FIG. 3 is a bottom view of the device;
FIG. 4 is a left side view of the device;
FIG. 5 is a right side view of the device;
FIG. 6 is a front view of the device; and,
FIG. 7 is a rear view of the device.

The broken line showings in FIGS. 1, 4, 5, 6, and 7 are for illustrative purposes only and forms no part of the claimed design.

1 Claim, 3 Drawing Sheets



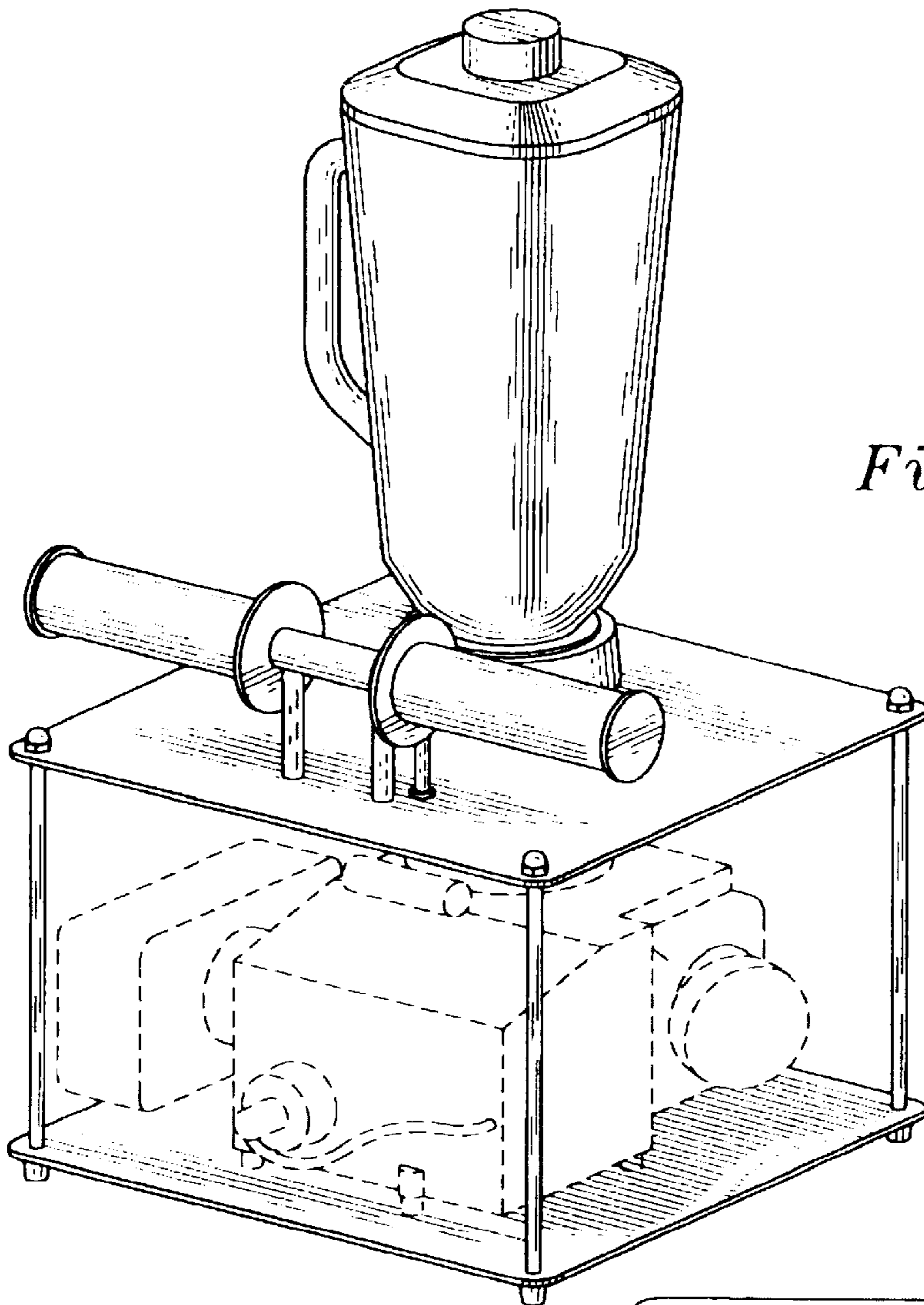
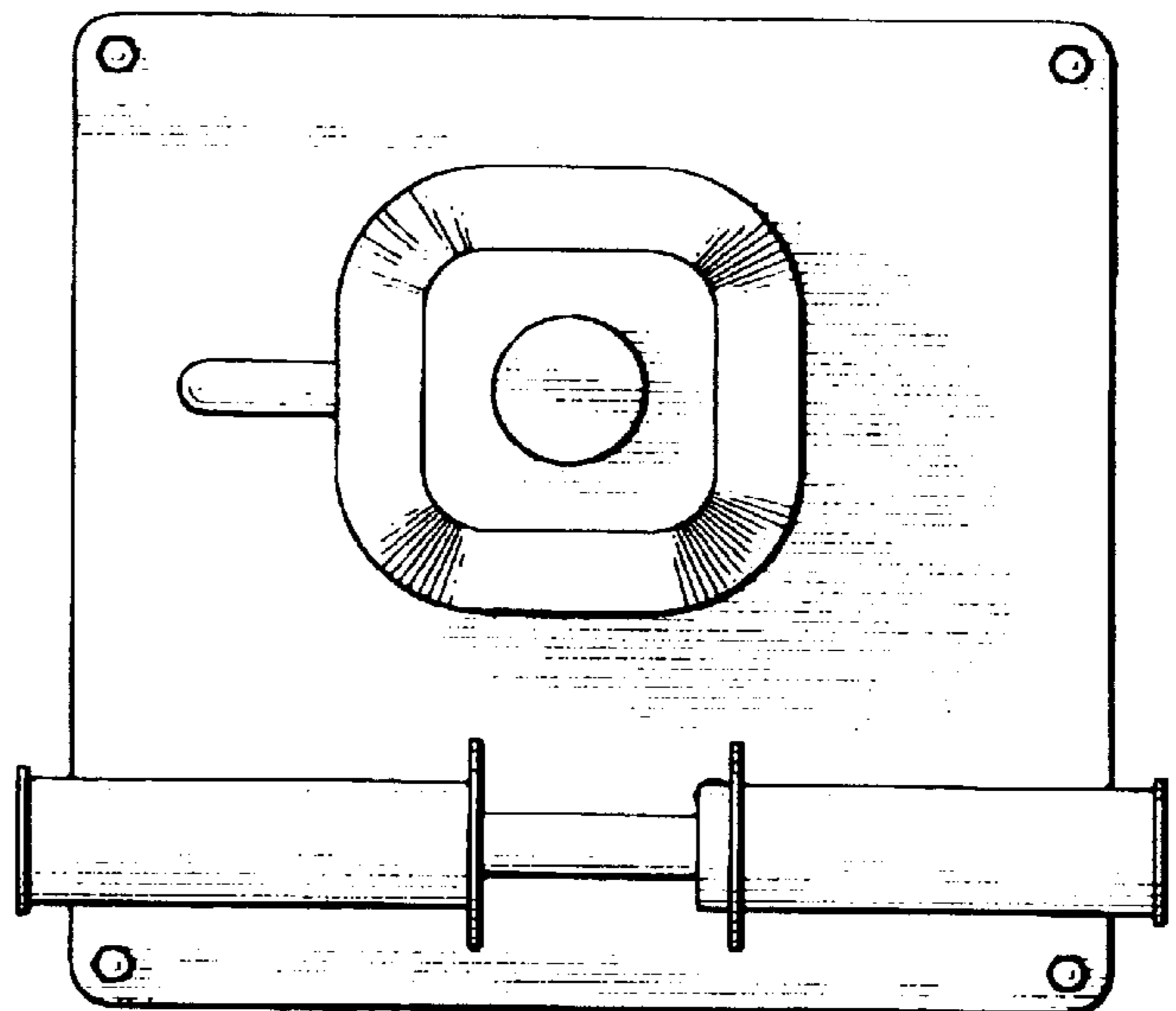


Fig. 1

Fig. 2



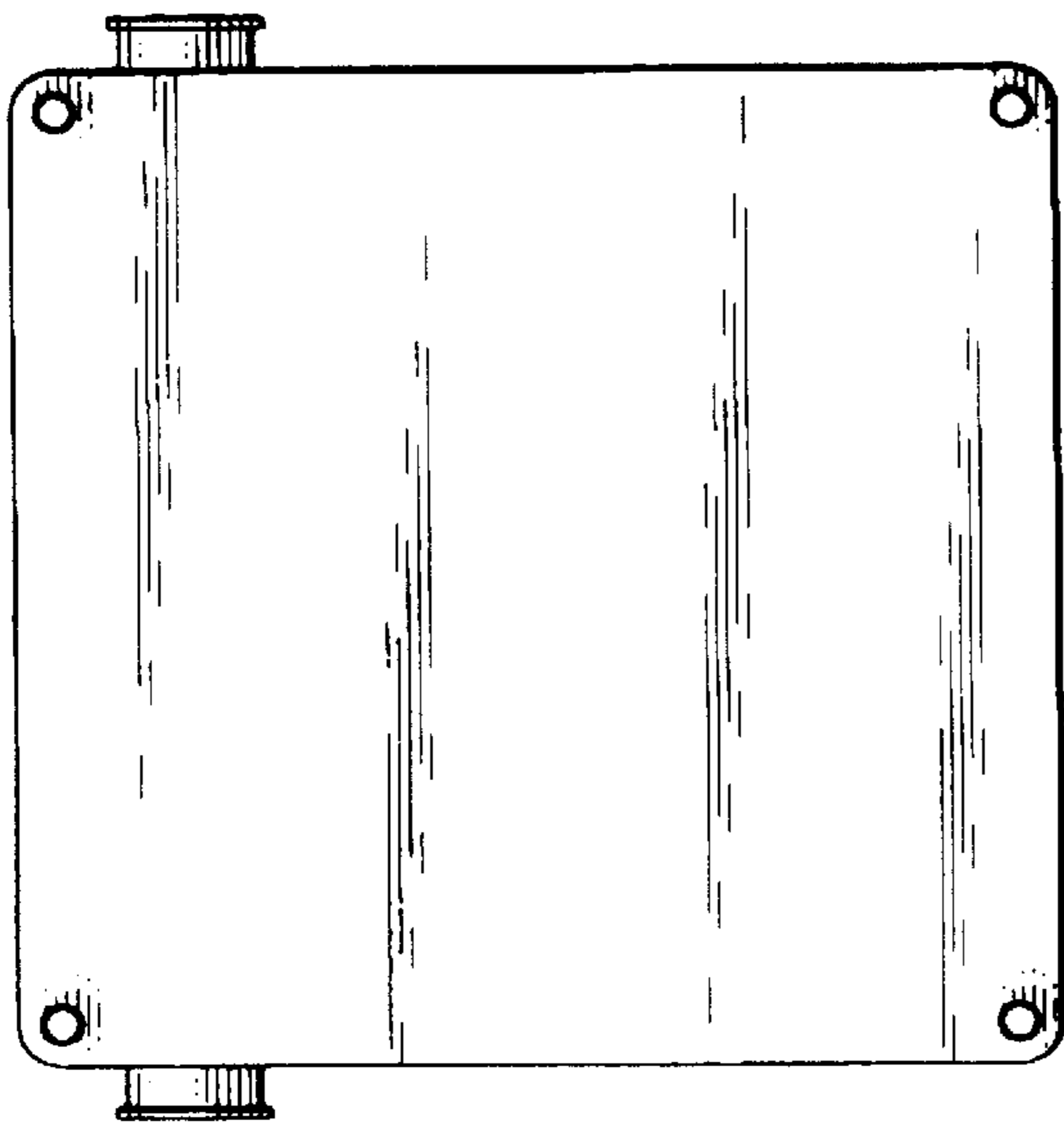


Fig. 3

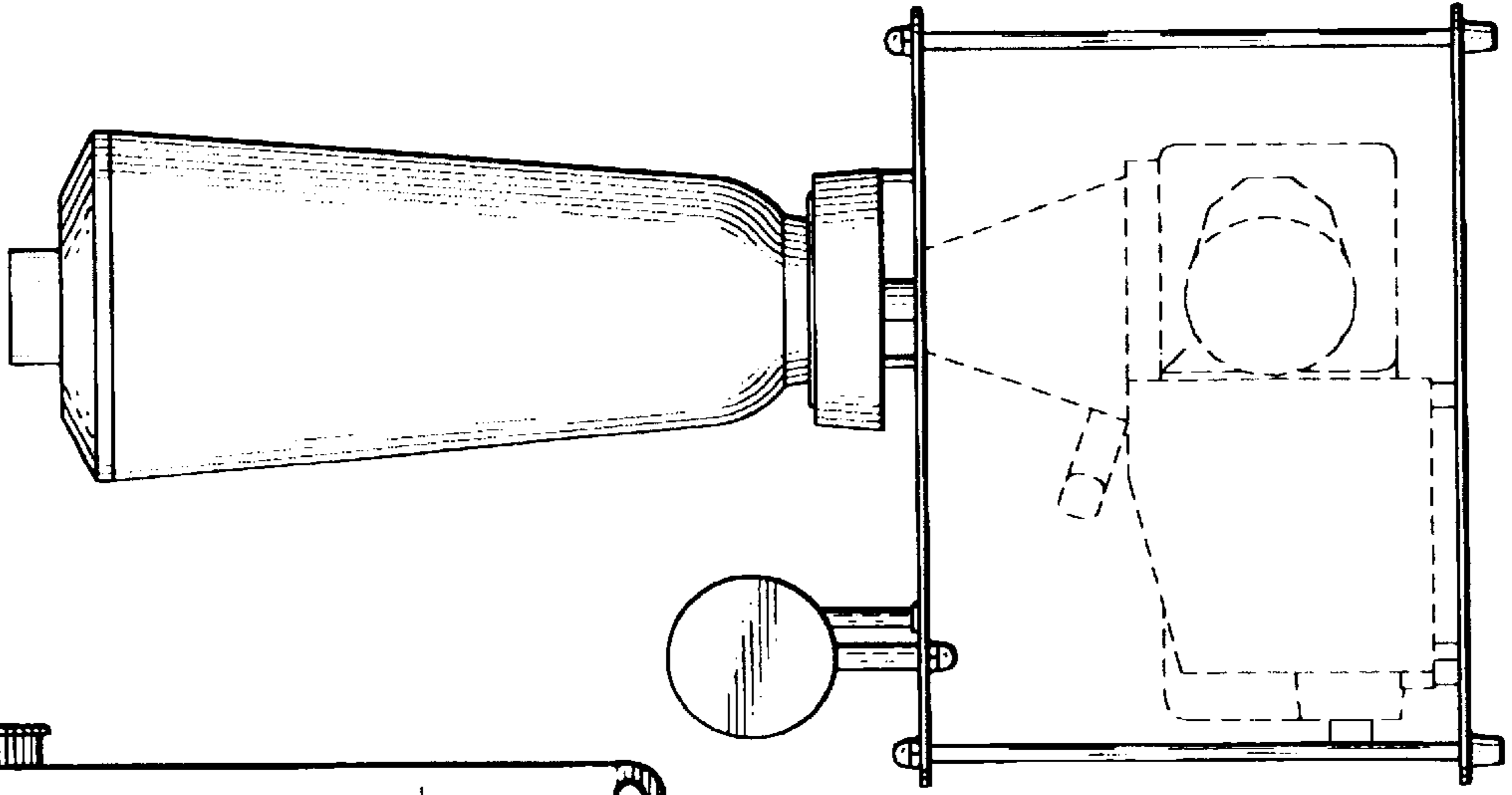


Fig. 5

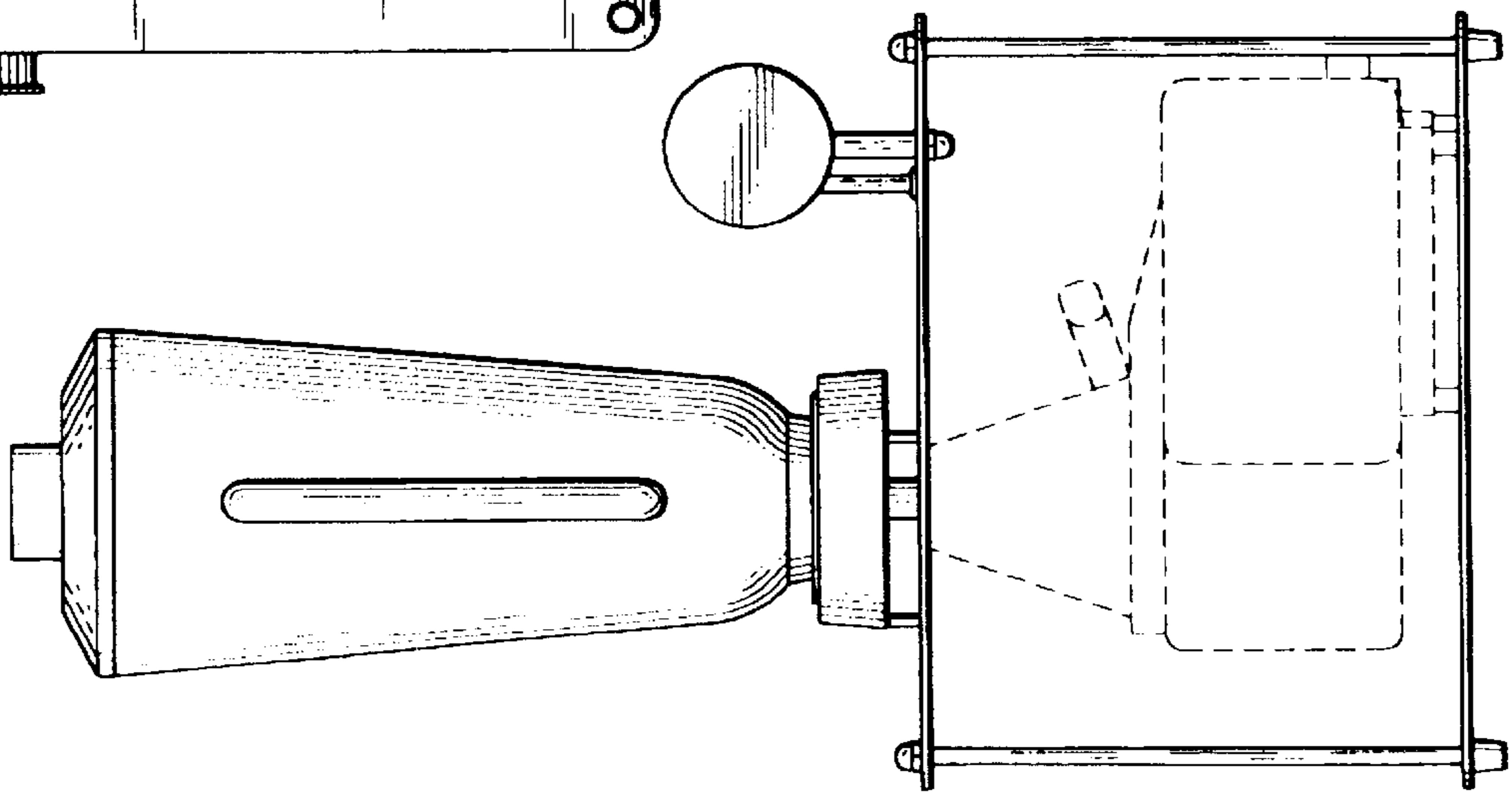


Fig. 4

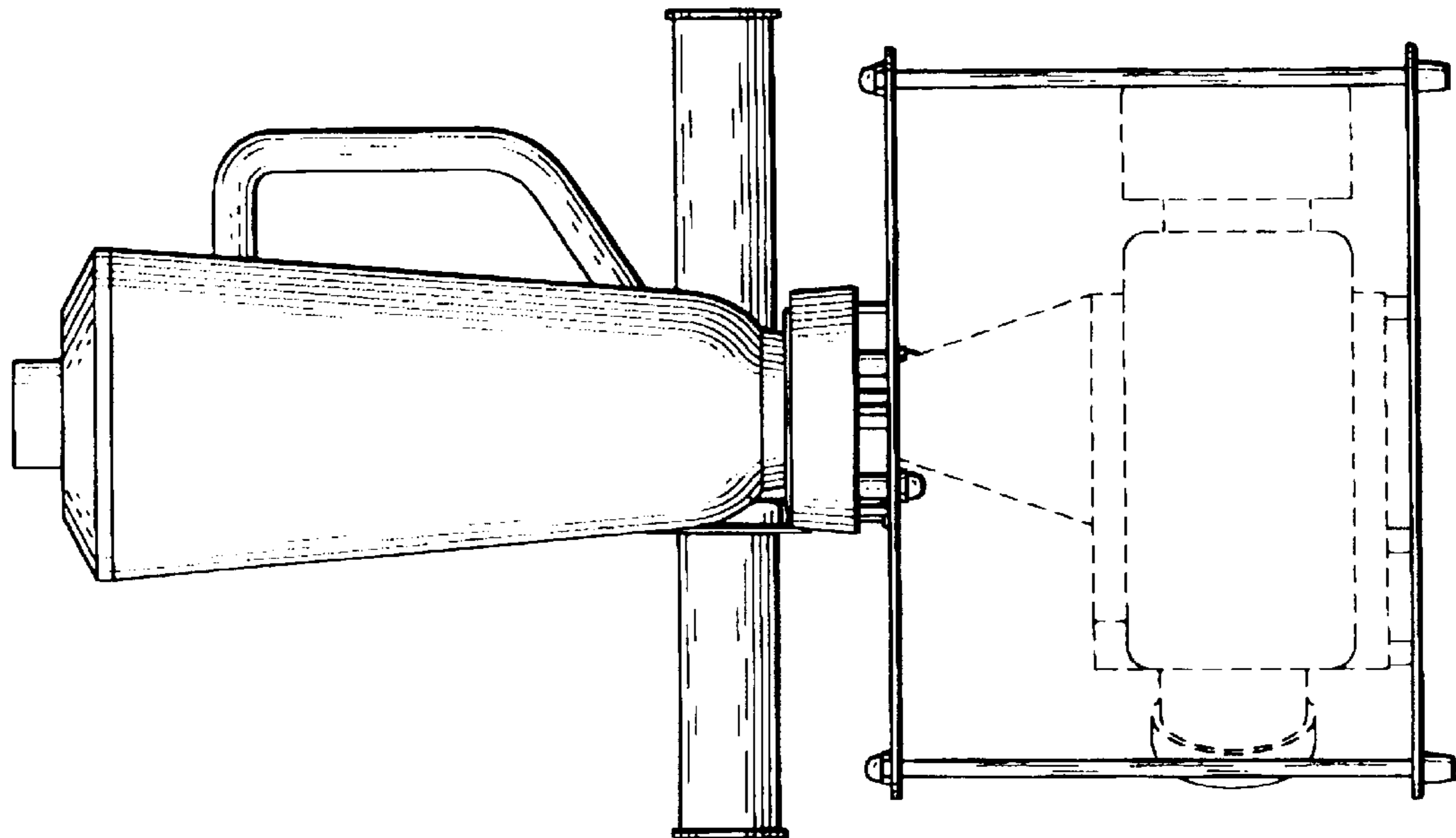


Fig. 7

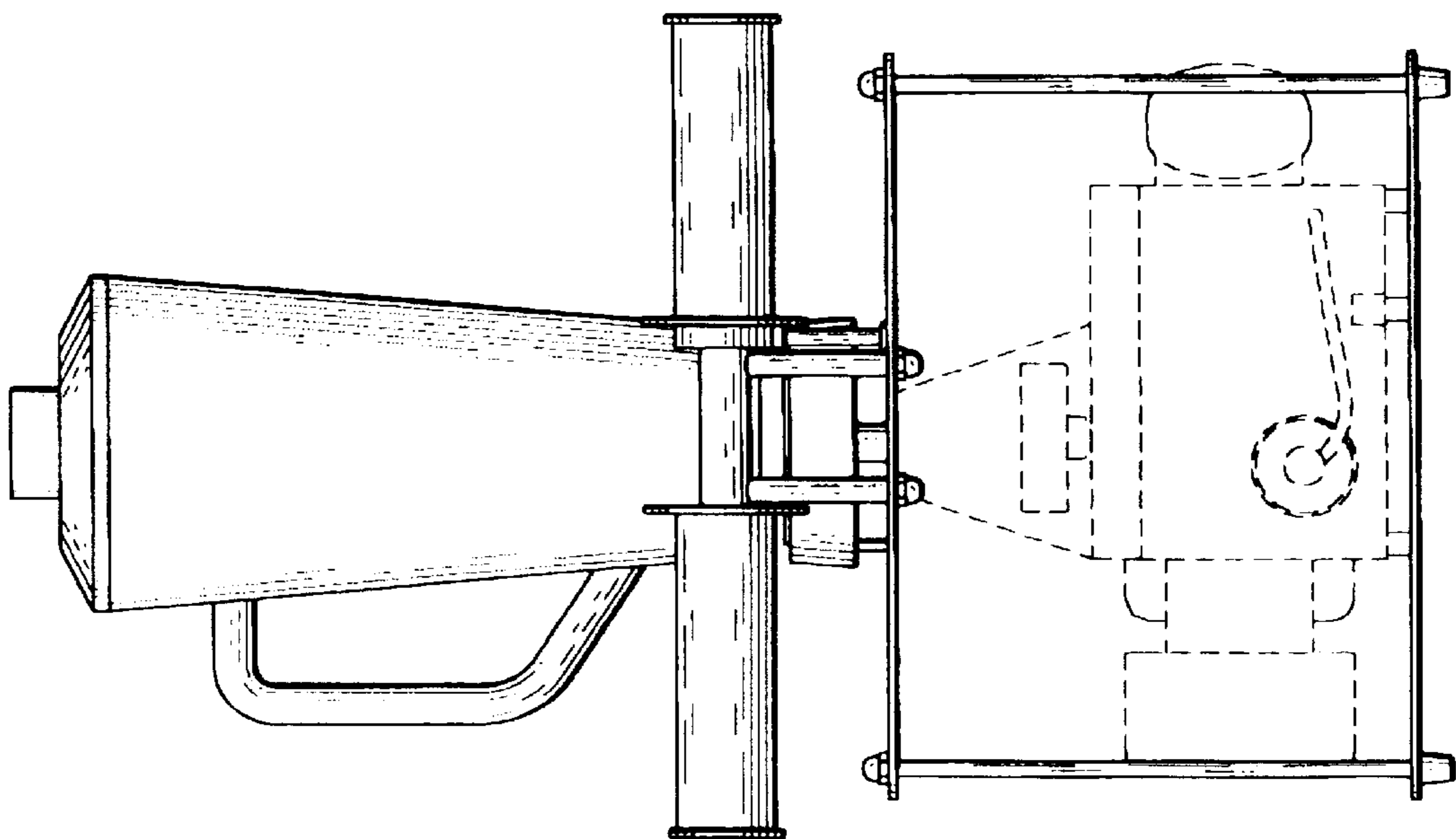


Fig. 6