



US00D400040S

# United States Patent [19]

Pawson et al.

[11] Patent Number: Des. 400,040

[45] Date of Patent: \*\*Oct. 27, 1998

## [54] FLOOR COVERING

[75] Inventors: **Ian Karl Pawson**, Worcester; **Stephen James Pym**, Shropshire, both of England

[73] Assignee: **Nuway Manufacturing Co., Ltd.**, London, England

[\*\*] Term: **14 Years**

[21] Appl. No.: **65,255**

[22] Filed: **Jan. 29, 1997**

### [30] Foreign Application Priority Data

Dec. 27, 1996	[GB]	United Kingdom	.....	2062090
Dec. 27, 1996	[GB]	United Kingdom	.....	2062091

[51] LOC (6) Cl. .... **06-11**

[52] U.S. Cl. .... **D6/582**

[58] Field of Search ..... D6/582, 583, 589, D6/594; D25/147, 157-163; 15/122, 160, 112; 428/17, 85, 93, 188, 88, 89, 95, 53

### [56] References Cited

#### U.S. PATENT DOCUMENTS

2,400,487	5/1946	Clark	.....	428/89
2,436,315	2/1948	Liberatore	.....	15/112
4,408,365	10/1983	Palmer	.....	15/112
4,497,854	2/1985	Milner et al.	.....	428/17
4,590,110	5/1986	Arens	.....	428/53
5,293,660	3/1994	Park	.....	15/160
5,529,825	6/1996	Sutherland	.....	428/88

Primary Examiner—Freda Nunn

Attorney, Agent, or Firm—Burns, Doane, Swecker & Mathis, L.L.P.; William A. Knoeller

## [57] CLAIM

The ornamental design for the floor covering, as shown and described.

## DESCRIPTION

FIG. 1 is a plan view showing a typical portion of our design invention for a floor covering, it being understood that the design is continuous and repeating over the surface thereof and that the top edge and right side edges are cut off;

FIG. 2 is an end view looking toward the bottom edge of FIG. 1;

FIG. 3 is a side view looking toward the left side of FIG. 1;

FIG. 4 is a sectional view along the top cut off edge of FIG. 1;

FIG. 5 is a sectional view along the right side cut off edge of FIG. 1;

FIG. 6 is an enlarged perspective view from the lower left corner of FIG. 1;

FIG. 7 is a plan view showing another floor covering of the present invention in which, similar to FIG. 1, the design is continuous and repeating over the surface thereof and the top edge and right side edges are cut off;

FIG. 8 is an end view looking toward the bottom edge of FIG. 7;

FIG. 9 is a side view looking toward the left side of FIG. 7;

FIG. 10 is a sectional view along the top cut off edge of FIG. 7;

FIG. 11 is a sectional view along the right side cut off edge of FIG. 7; and,

FIG. 12 is an enlarged perspective view from the lower left corner of FIG. 7.

1 Claim, 4 Drawing Sheets

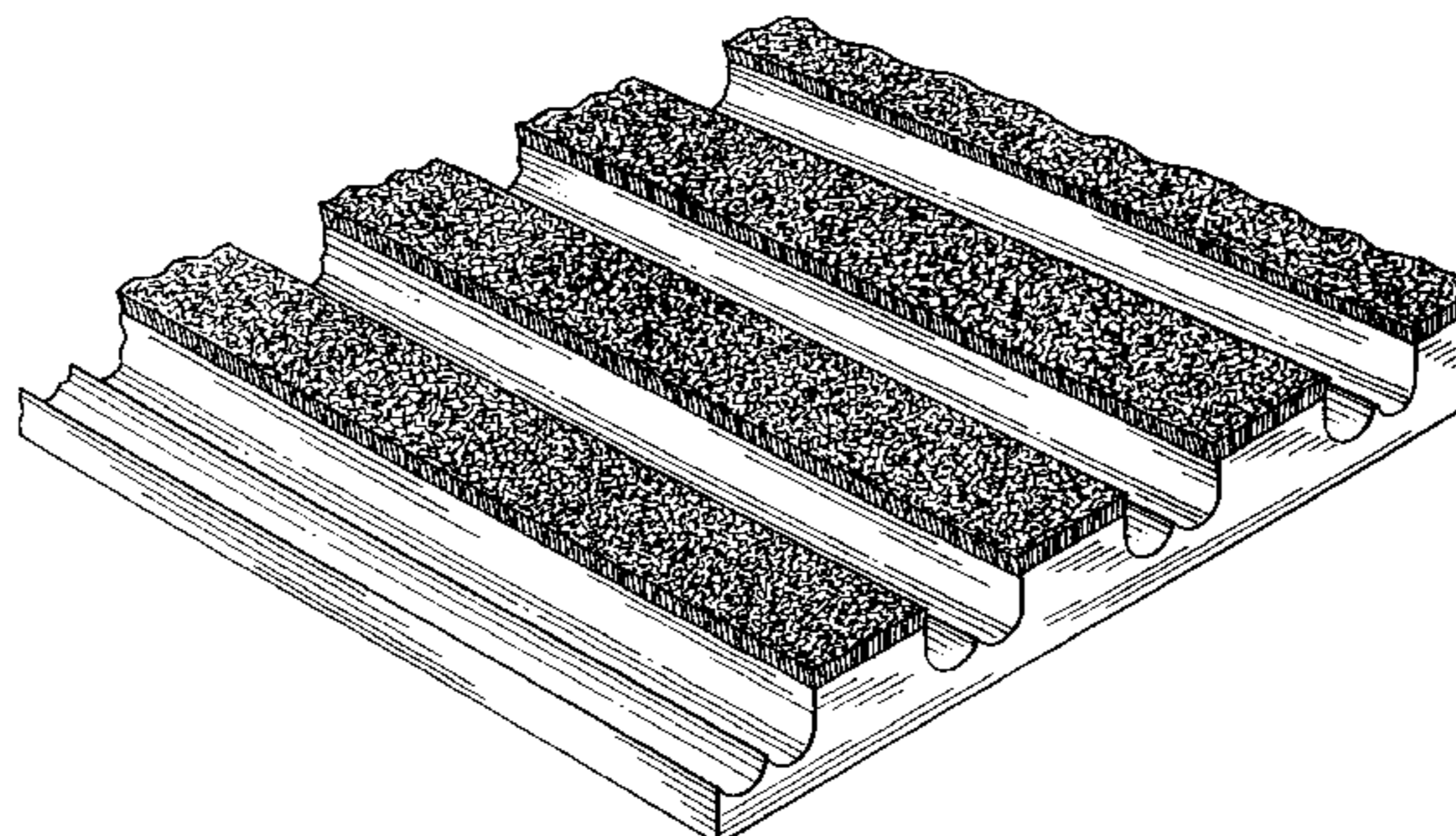
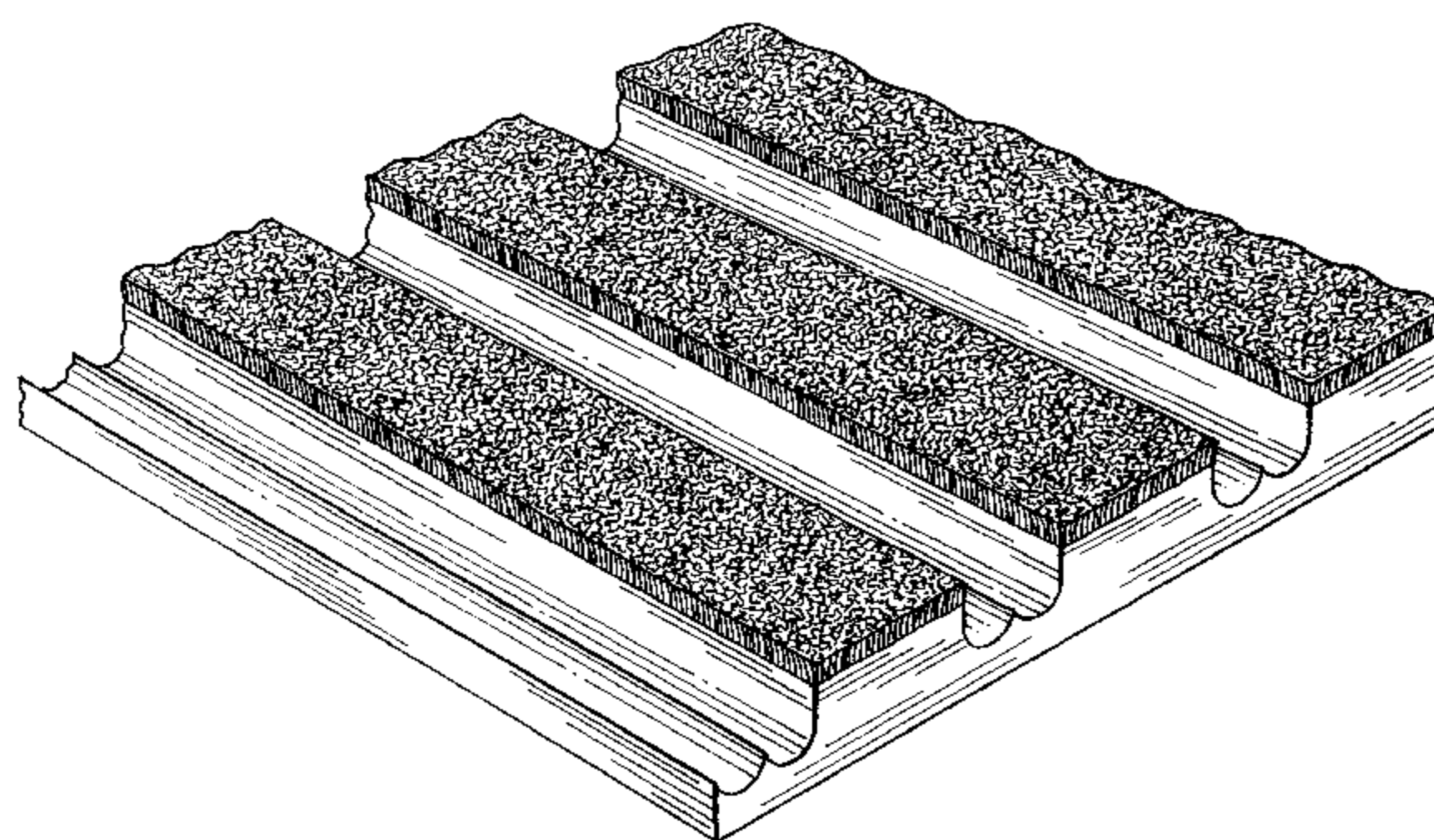


Fig. 1

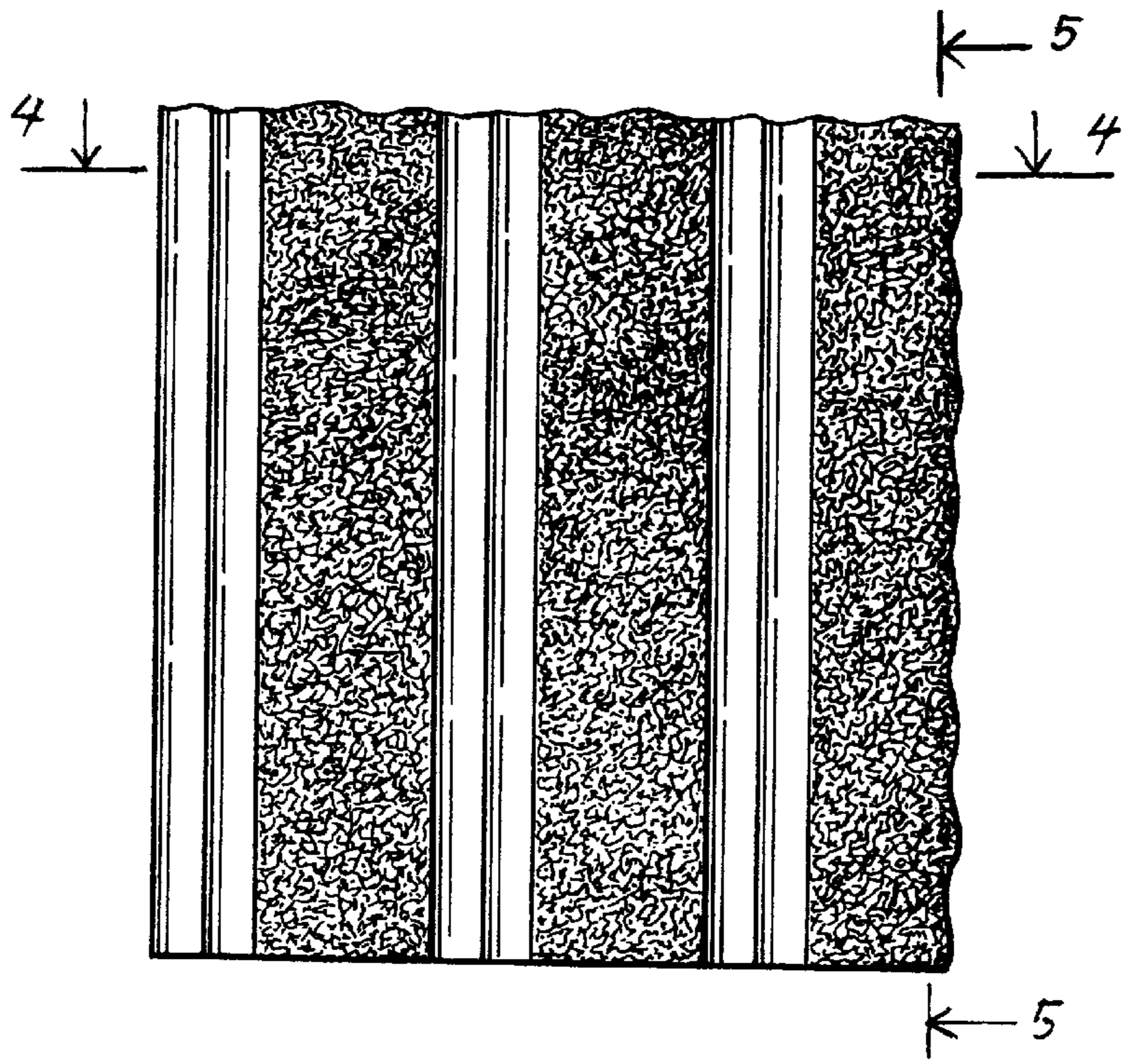


Fig. 2

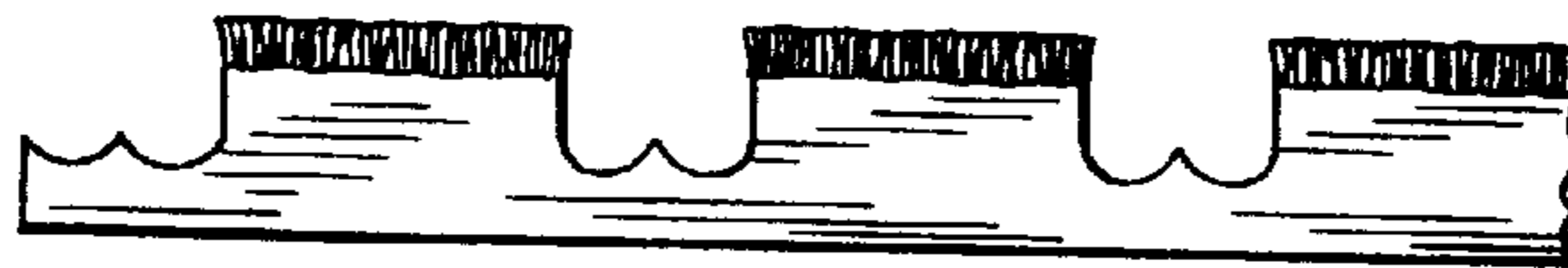


Fig. 3

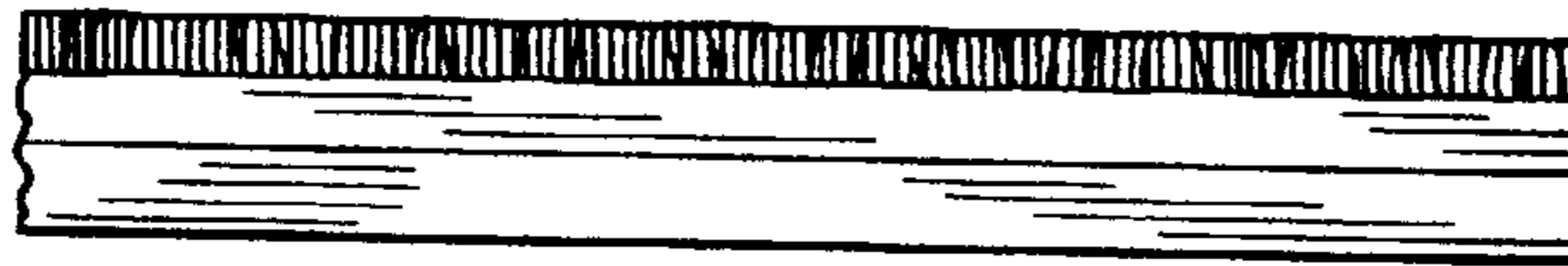


Fig. 4

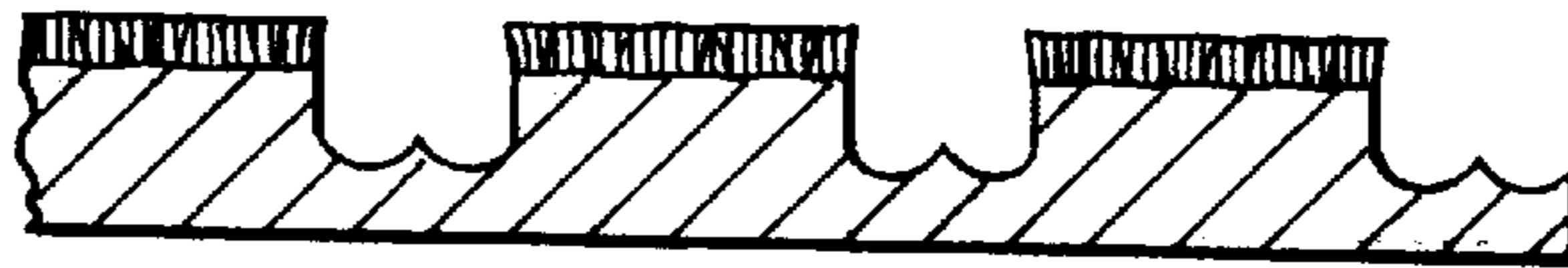
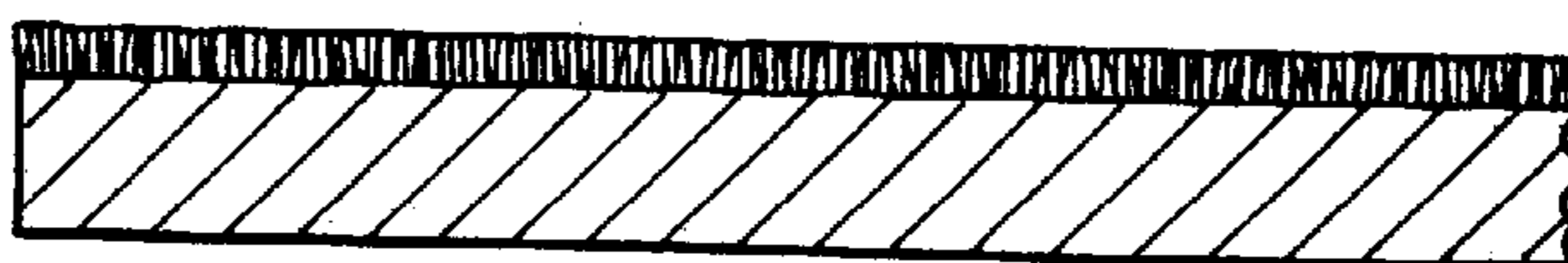


Fig. 5



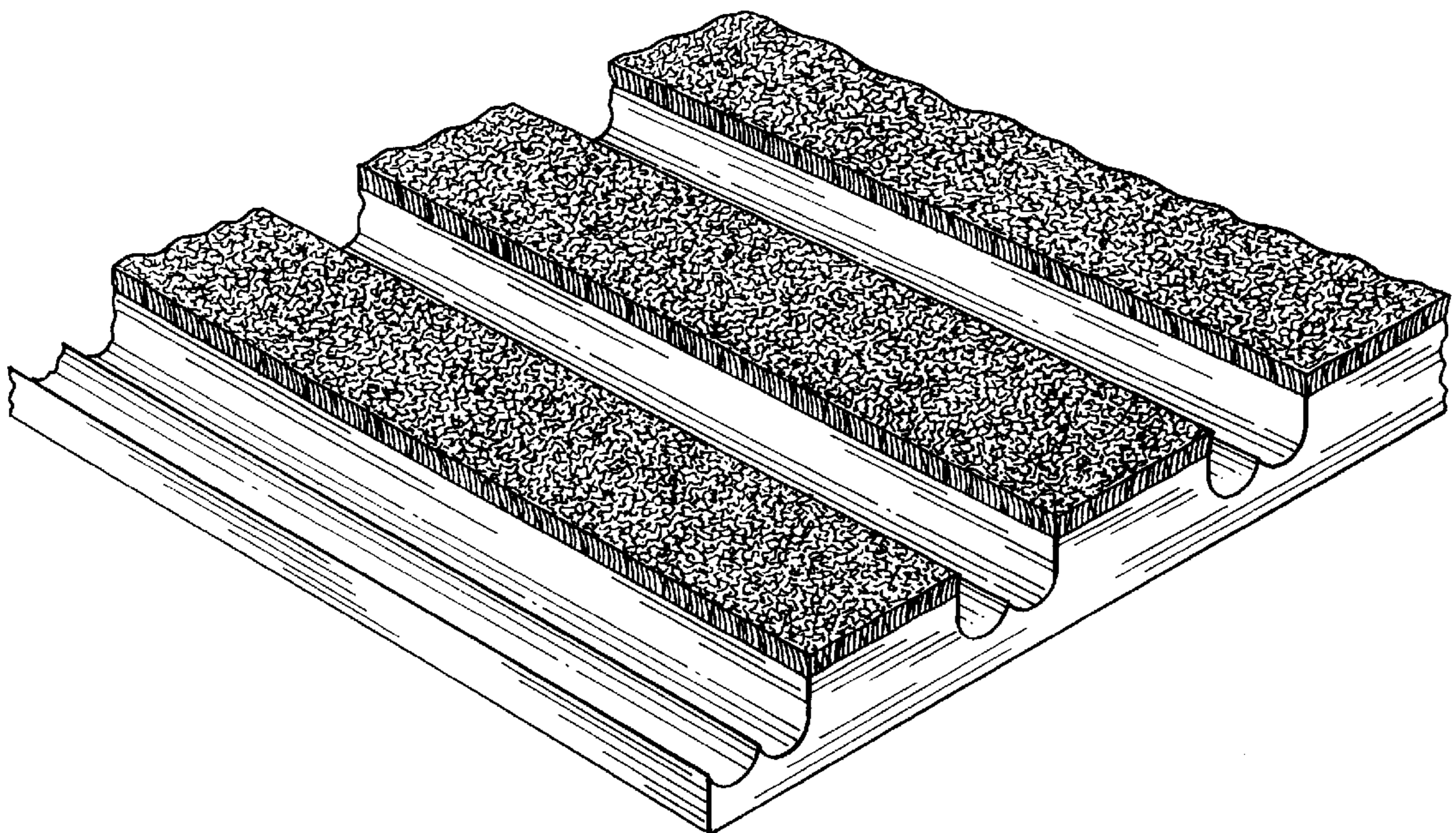


Fig. 6

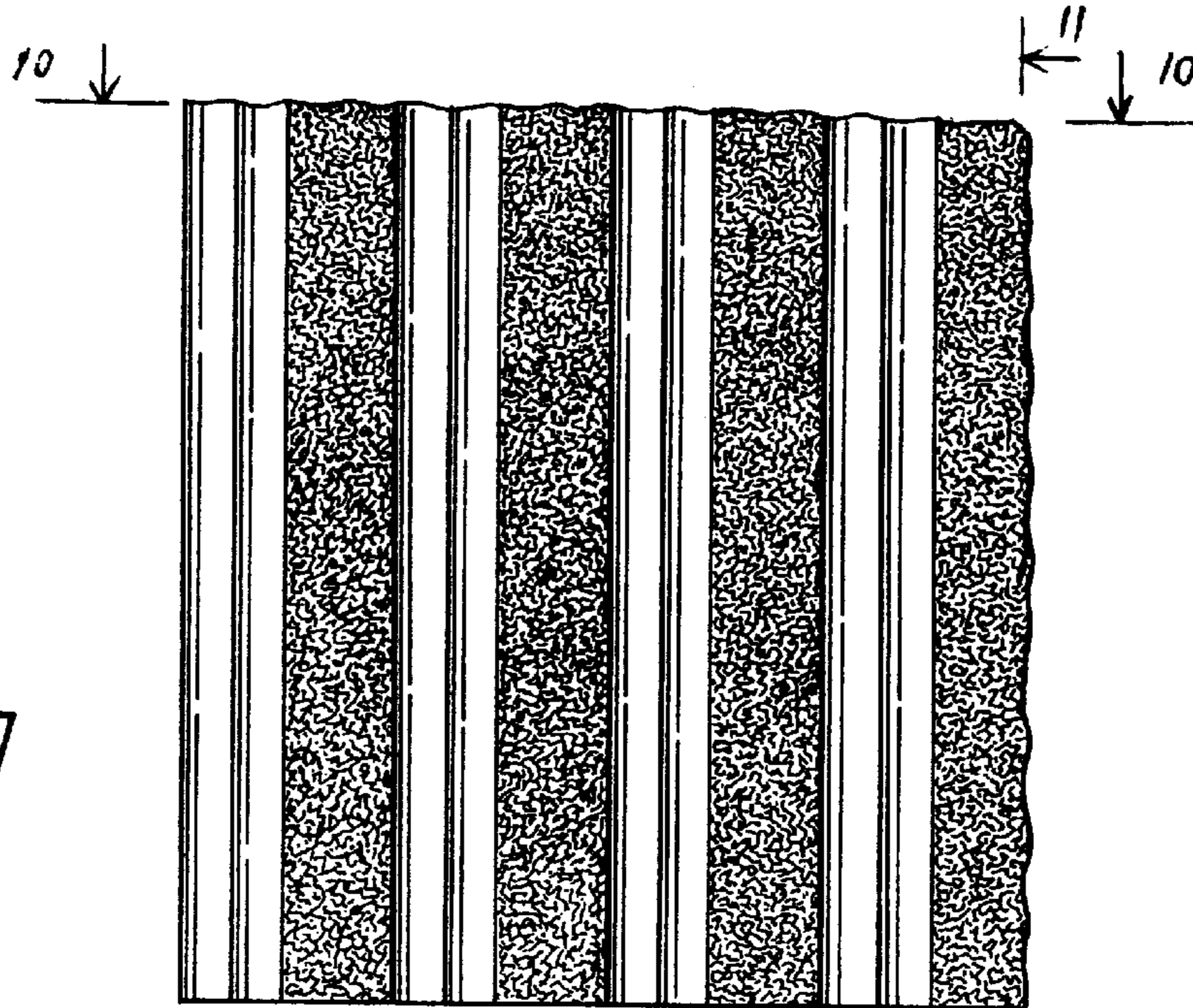


Fig. 7

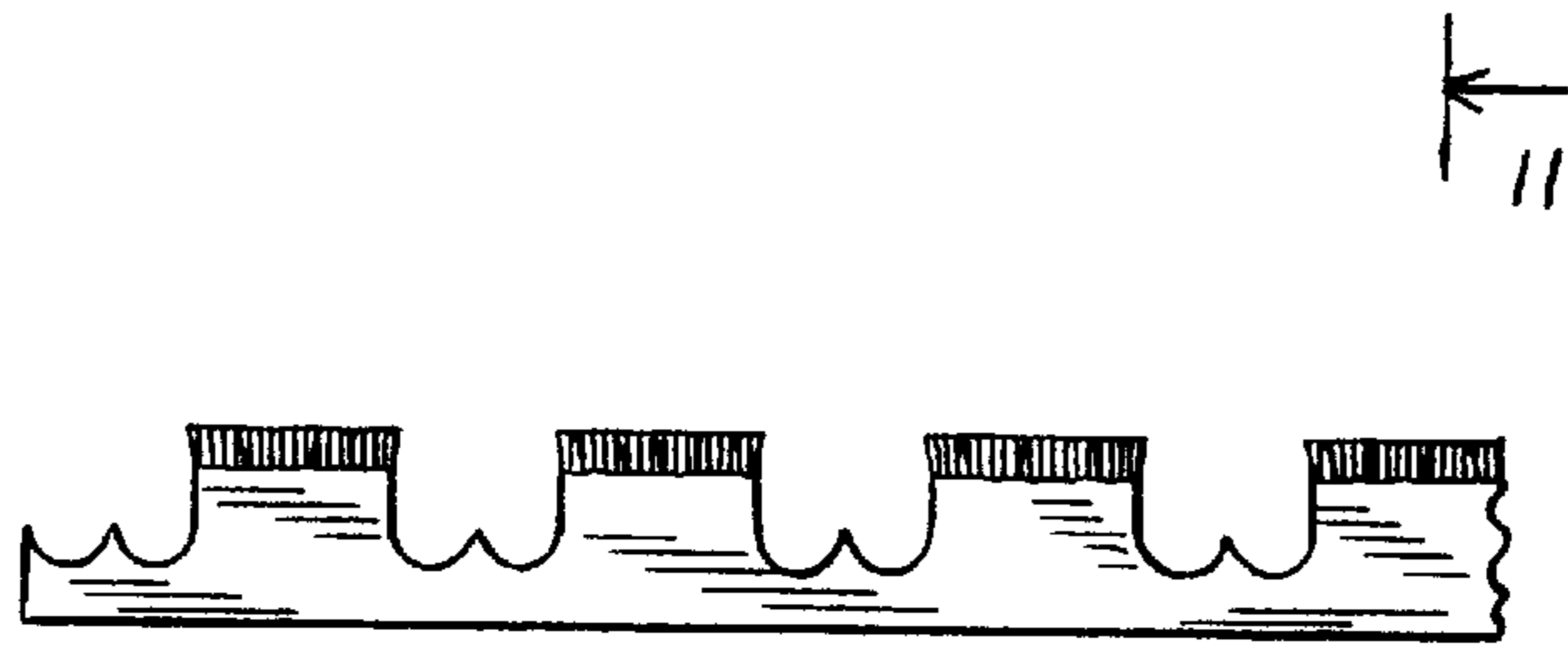


Fig. 8

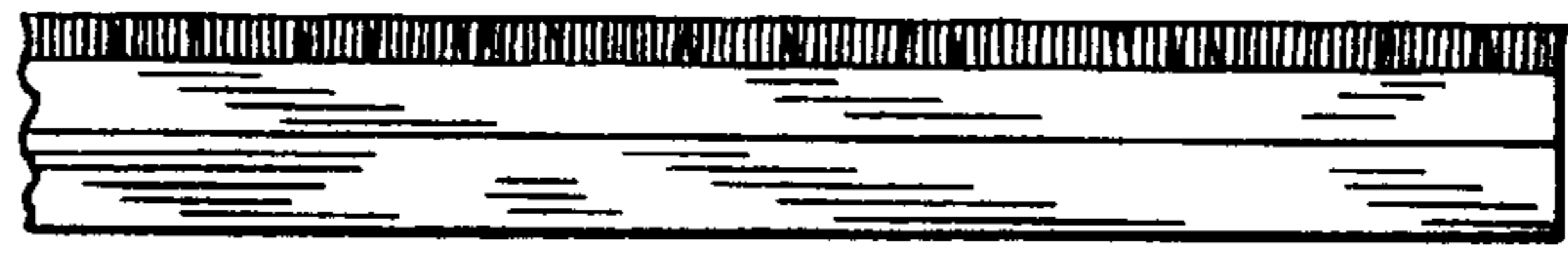


Fig. 9

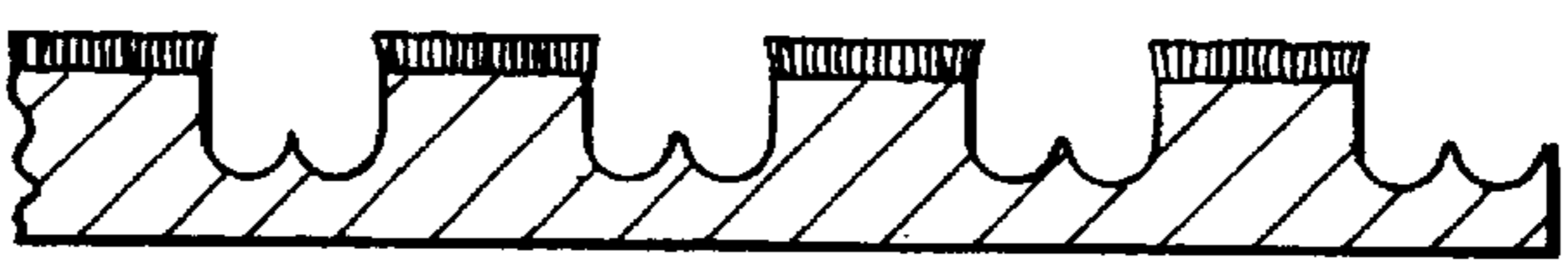


Fig. 10

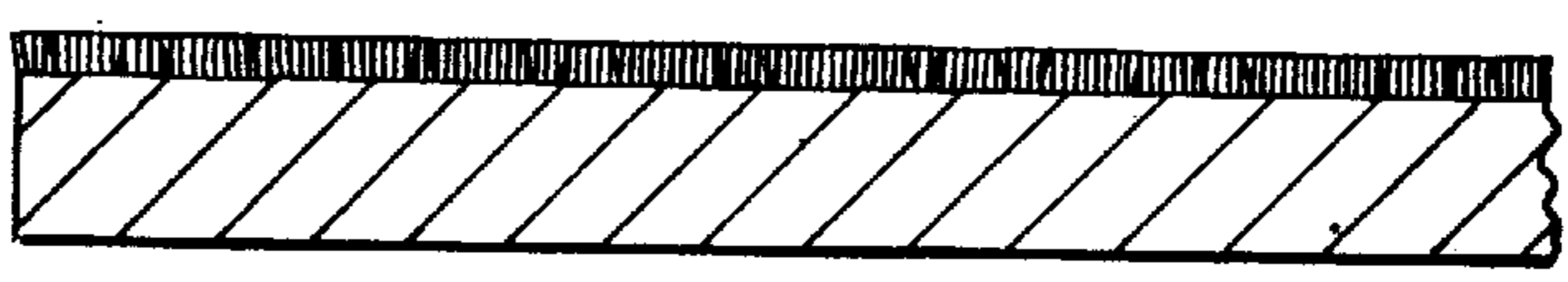


Fig. 11

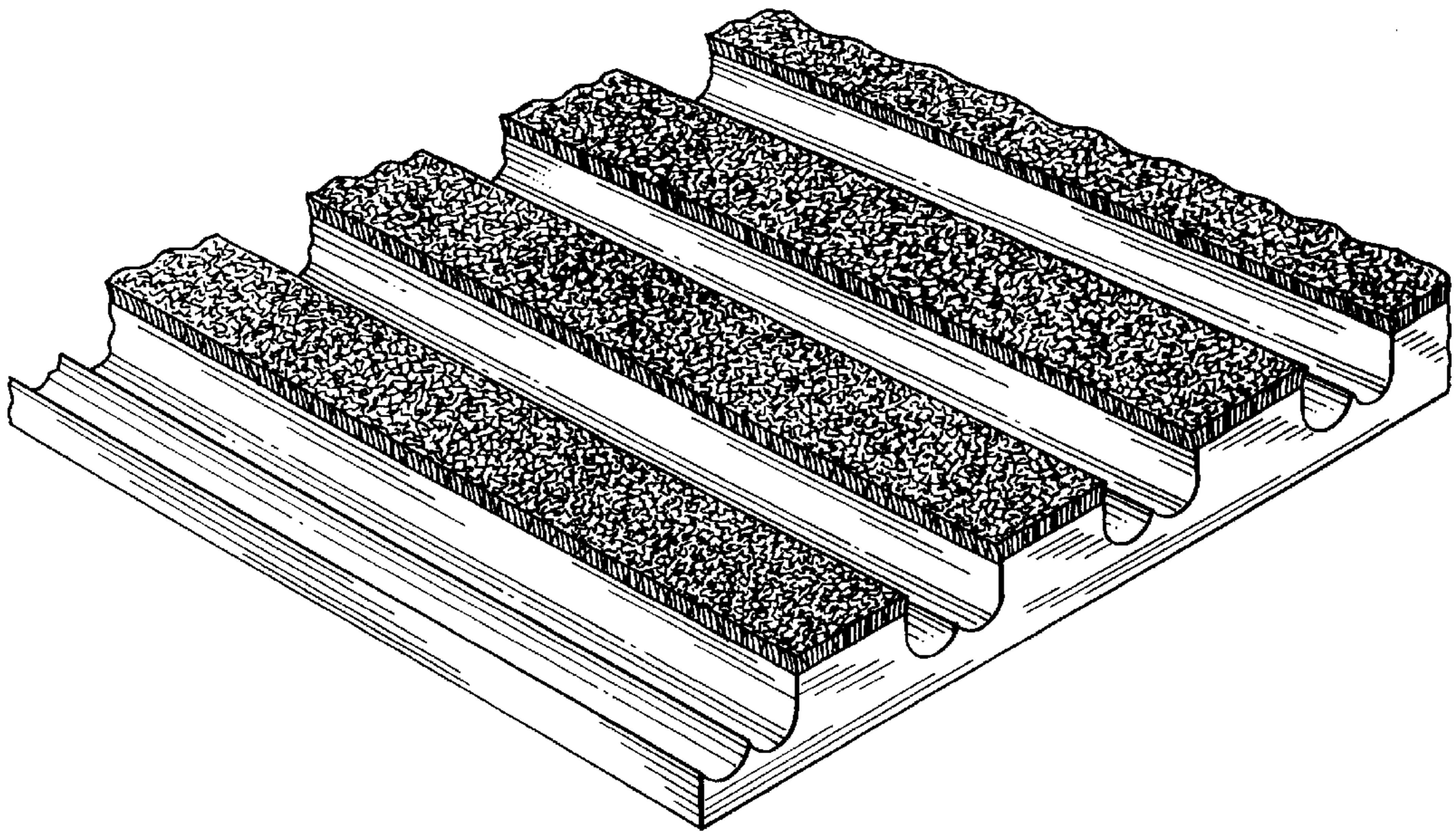


Fig. 12