



US00D400038S

# United States Patent [19]

Herman et al.

[11] Patent Number: **Des. 400,038**

[45] Date of Patent: **\*\*Oct. 27, 1998**

[54] **SHELF**

[75] Inventors: **Richard J. Herman**, Hendersonville;  
**John J. Bush**, Waynesville, both of  
N.C.

[73] Assignee: **Leisure Craft Inc.**, Hendersonville,  
N.C.

[\*\*] Term: **14 Years**

[21] Appl. No.: **64,994**

[22] Filed: **Jan. 16, 1997**

[51] **LOC (6) Cl.** ..... **06-04**

[52] **U.S. Cl.** ..... **D6/574**

[58] **Field of Search** ..... D6/512-514, 567,  
D6/569-574; 211/86-87, 113, 13.1, 119,  
105.1, 123, 181, 44, 88, 89, 90; 108/28,  
59, 91, 97; 248/213.2

D. 301,000 5/1989 Christiansen ..... D6/574  
D. 353,734 12/1994 Walls, Jr. .... D6/513 X  
D. 365,233 12/1995 Huculak ..... D6/513  
D. 377,285 1/1997 Lynch et al. .... D6/524  
1,750,624 3/1930 Buedingen ..... 248/213.2

*Primary Examiner*—Pamela Burgess  
*Attorney, Agent, or Firm*—Joseph T. Guy, Jr.

## [57] CLAIM

We claim the ornamental design for a shelf, as shown.

## DESCRIPTION

FIG. 1 is a top front perspective view of a shelf showing our new design;

FIG. 2 is a top rear perspective view thereof;

FIG. 3 is a bottom front perspective view thereof; and,

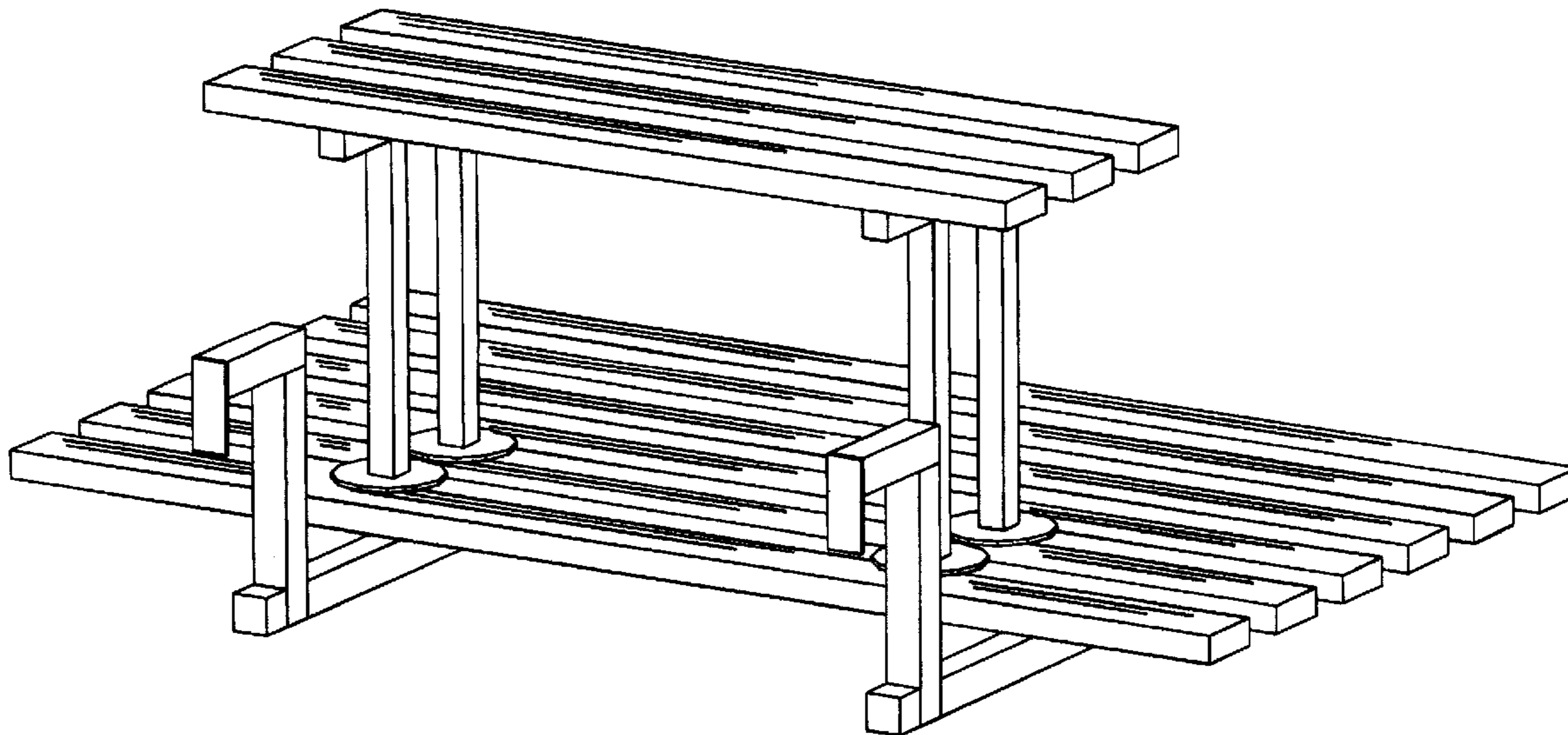
FIG. 4 is a bottom rear perspective view thereof.

## [56] References Cited

### U.S. PATENT DOCUMENTS

D. 295,478 5/1988 Helmholtz et al. .... D6/574 X

**1 Claim, 2 Drawing Sheets**



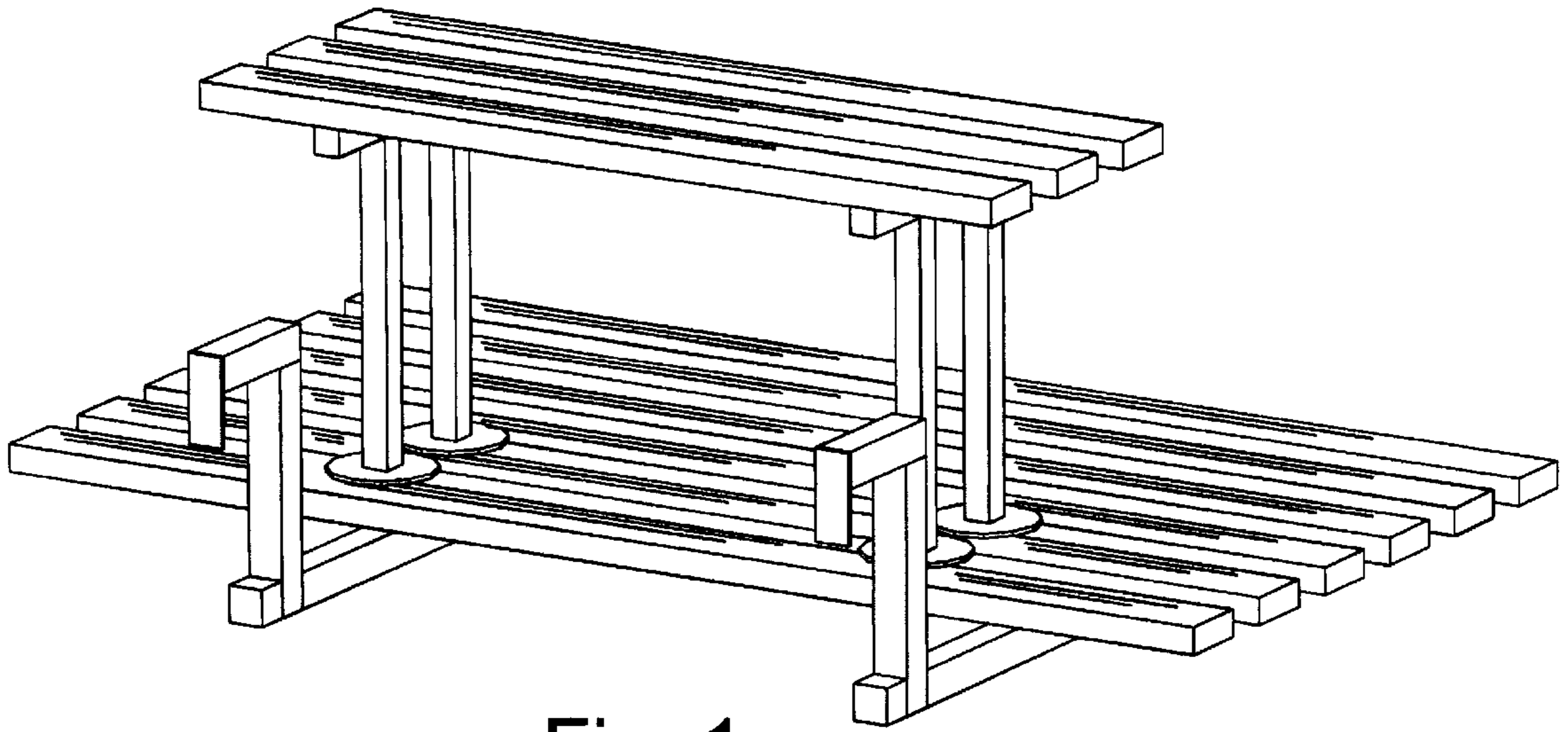


Fig. 1

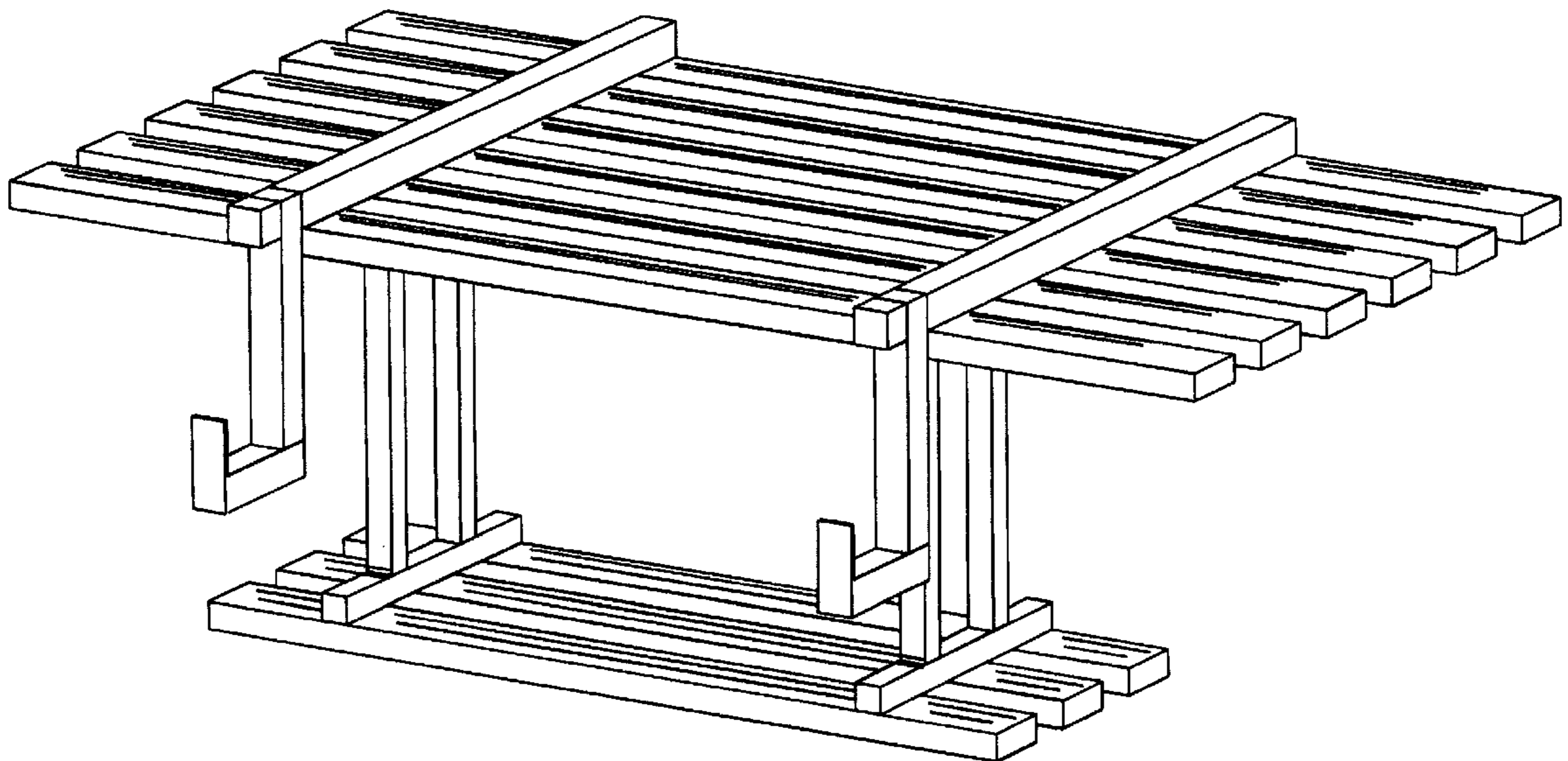


Fig. 3

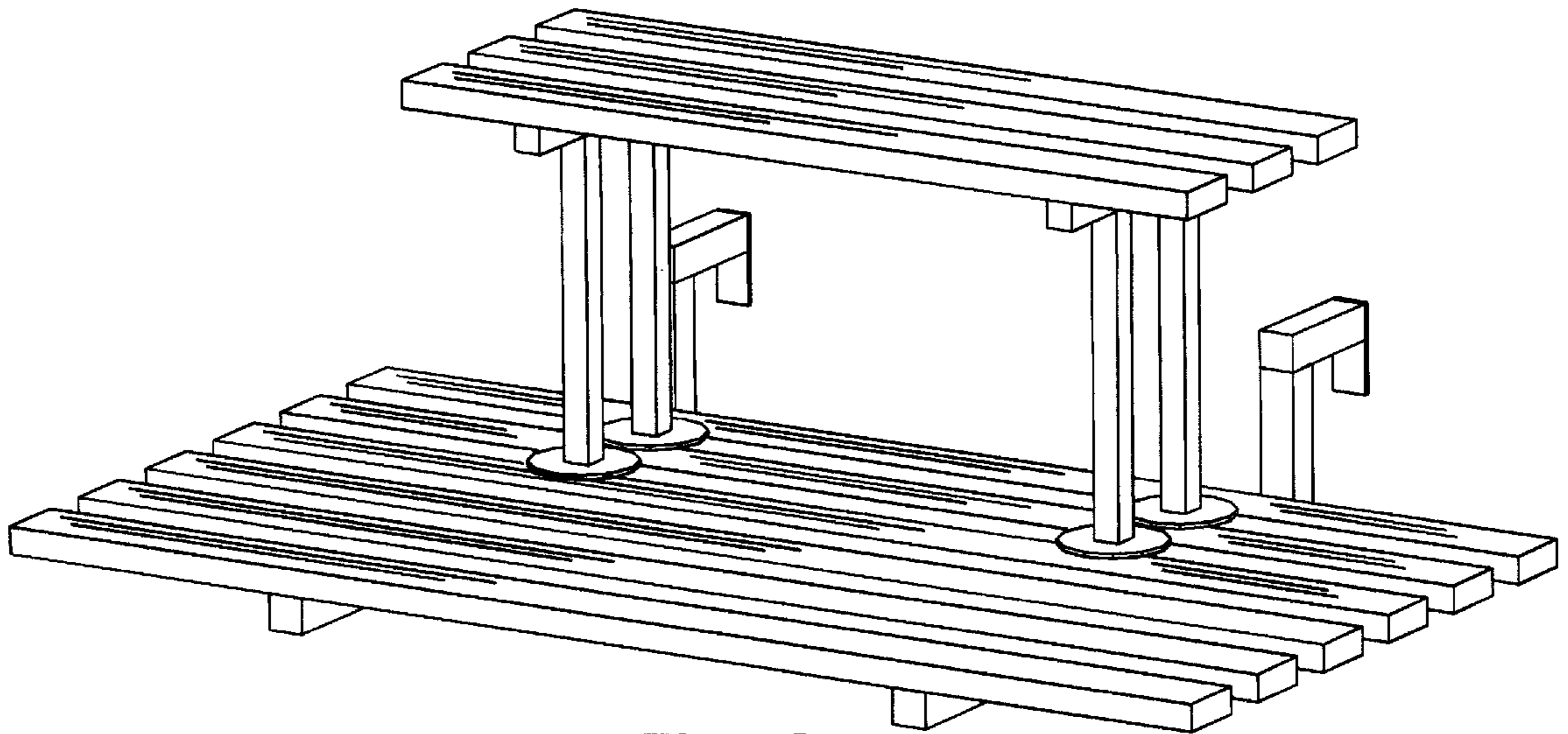


Fig. 2

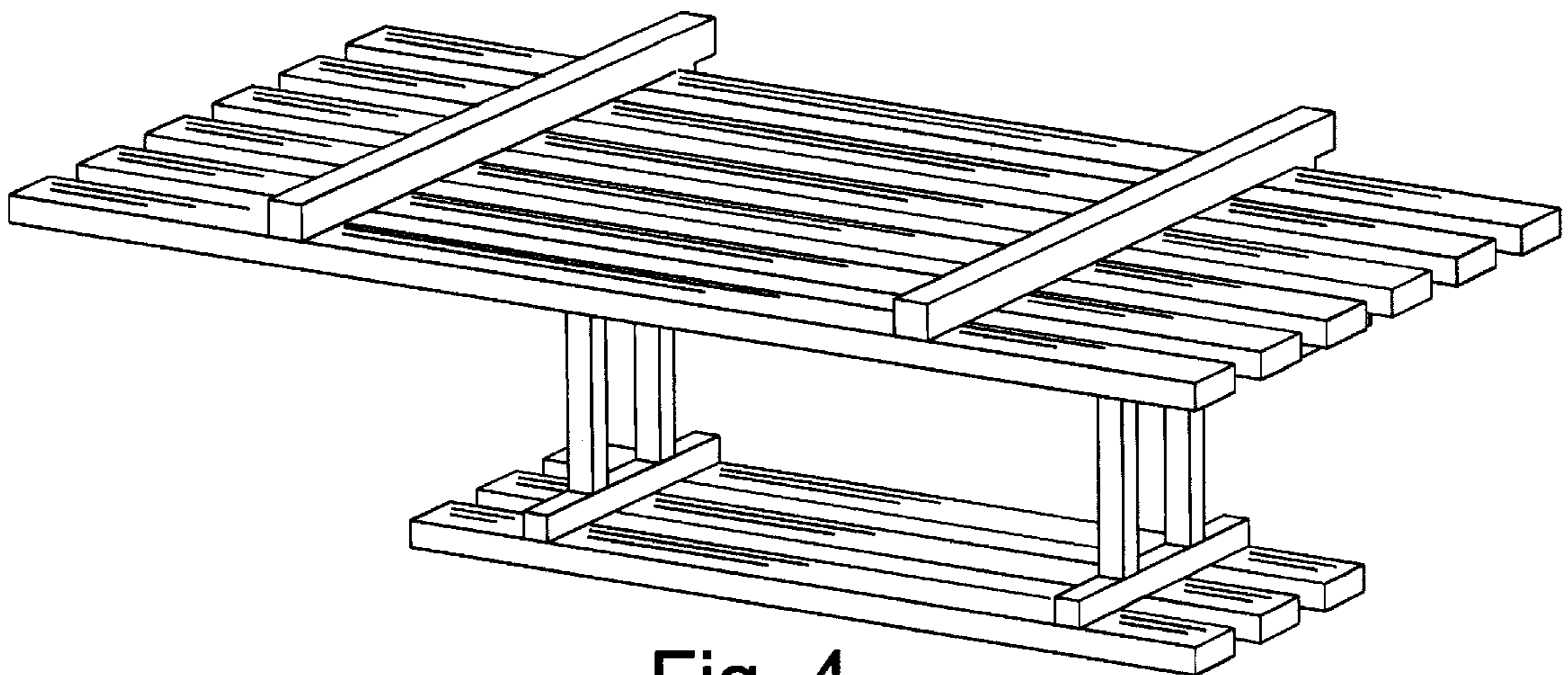


Fig. 4