



US00D400037S

United States Patent [19]
Bartholow

[11] **Patent Number: Des. 400,037**

[45] **Date of Patent: **Oct. 27, 1998**

[54] **HAIR CARE ACCESSORY RACK**

5,667,173 9/1997 Wilfong, Jr. et al. 248/302 X

[76] Inventor: **Dudley Bartholow**, 13911 Ridgedale Dr., #401, Minnetonka, Minn. 55305

Primary Examiner—Brian N. Vinson
Attorney, Agent, or Firm—D. L. Tschida

[**] Term: **14 Years**

[57] **CLAIM**

[21] Appl. No.: **75,390**

The ornamental design for a hair care accessory rack, as shown and described.

[22] Filed: **Aug. 15, 1997**

DESCRIPTION

[51] **LOC (6) Cl.** **08-08**

[52] **U.S. Cl.** **D6/566**

[58] **Field of Search** D6/566, 513, 514;
248/175, 176.1, 302; 211/13.1, 71, 86-89,
187.1

FIG. 1 is a top, front, and left side perspective view of a hair care accessory rack showing my new design, the broken-line disclosure of various article supported by the rack being for illustrative purposes only and forming no part of the claimed design;

FIG. 2 is a right side elevational view thereof;

FIG. 3 is a left side elevational view thereof;

FIG. 4 is a top plan view thereof; and,

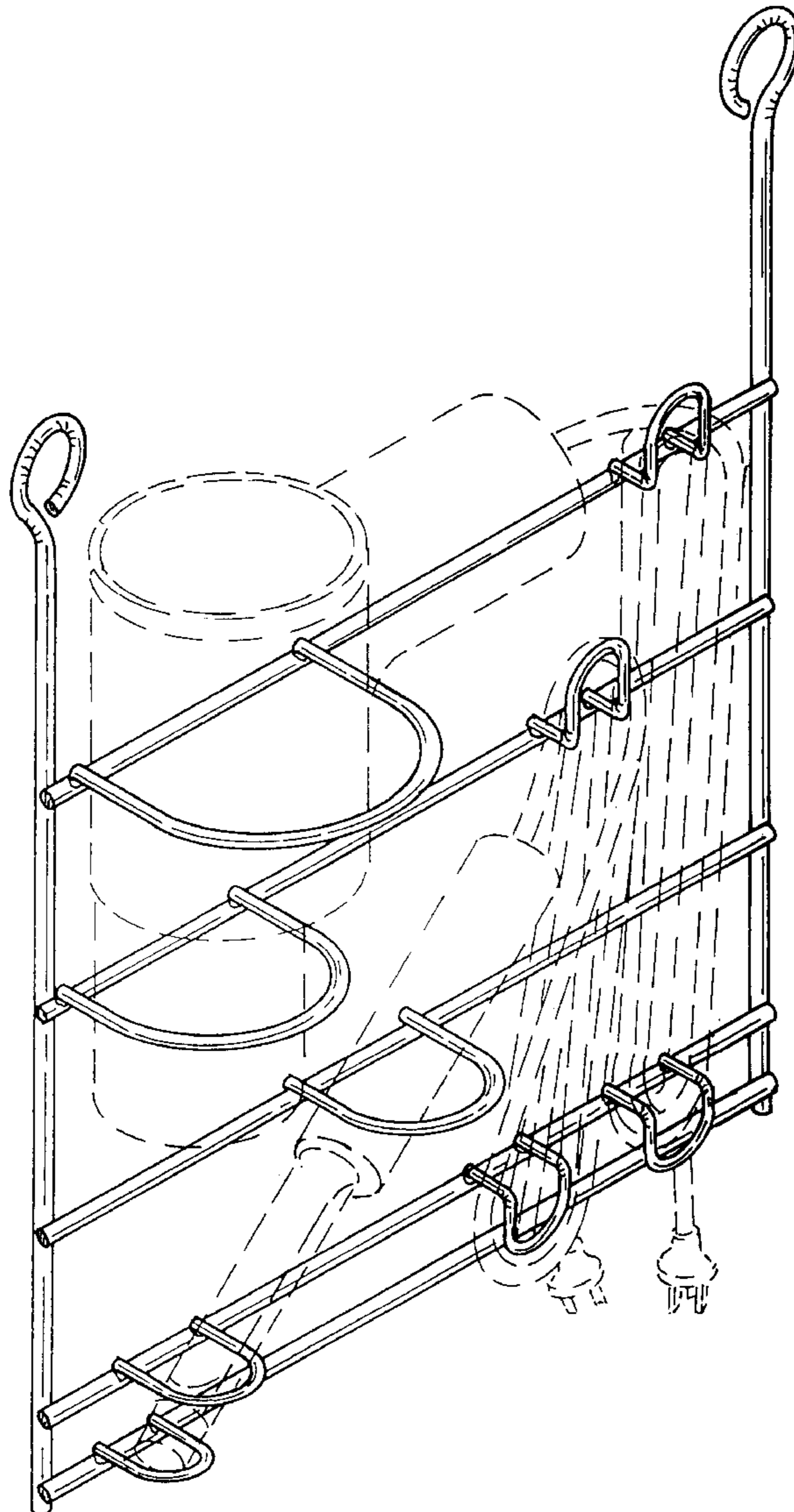
FIG. 5 is a bottom plan view thereof.

[56] **References Cited**

U.S. PATENT DOCUMENTS

D. 97,274 10/1935 Gentz D6/566
D. 367,790 3/1996 Munoz et al. D6/566

1 Claim, 4 Drawing Sheets



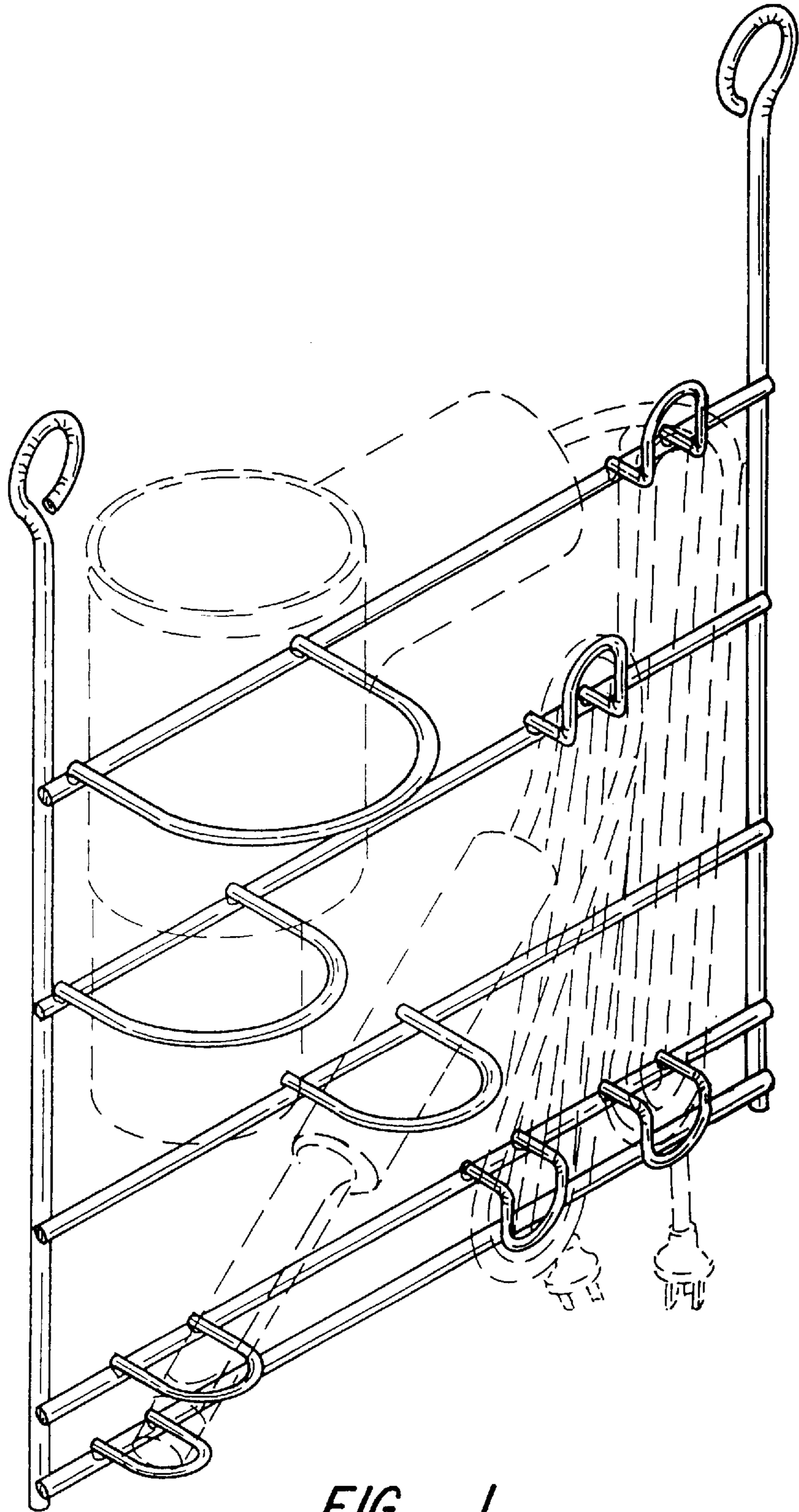


FIG. 1

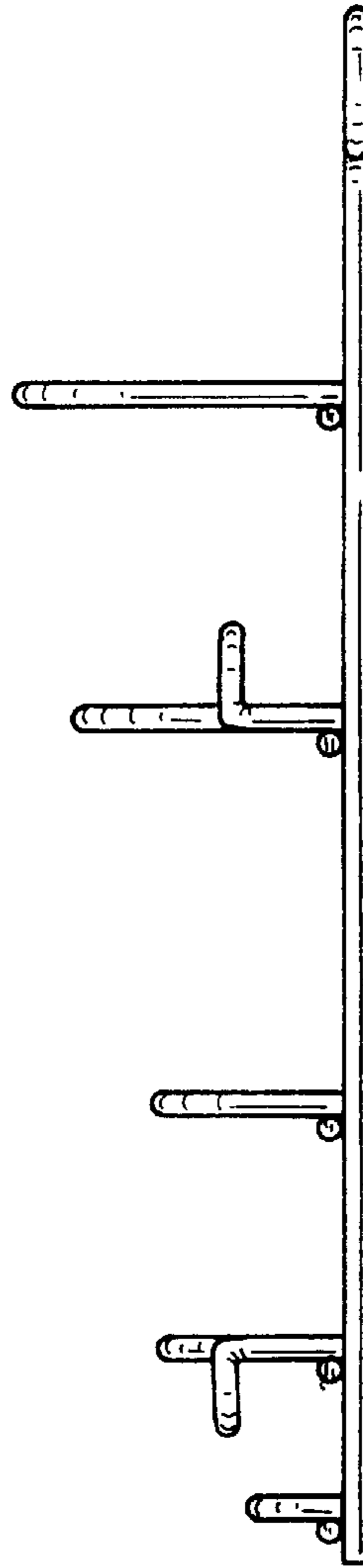


FIG. 2

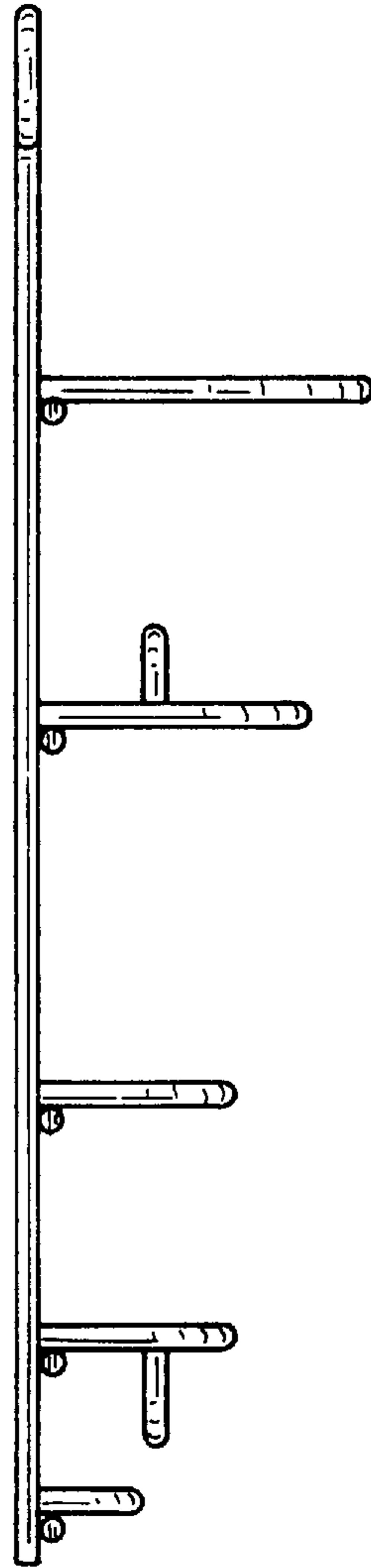


FIG. 3

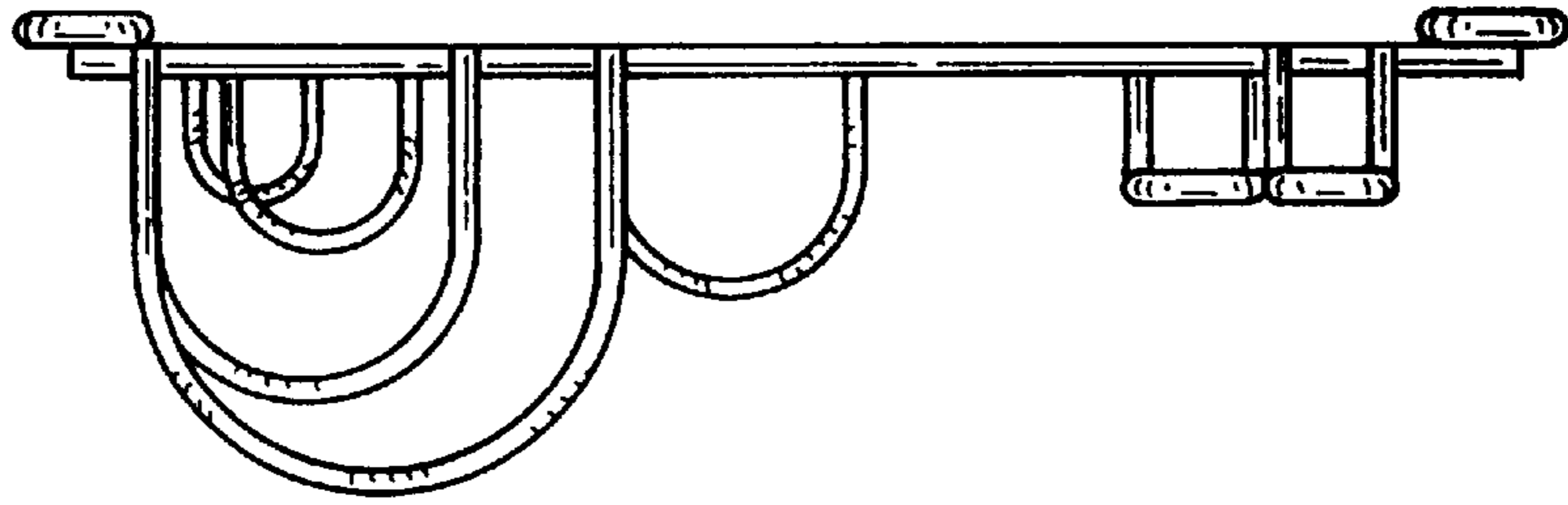


FIG. 4

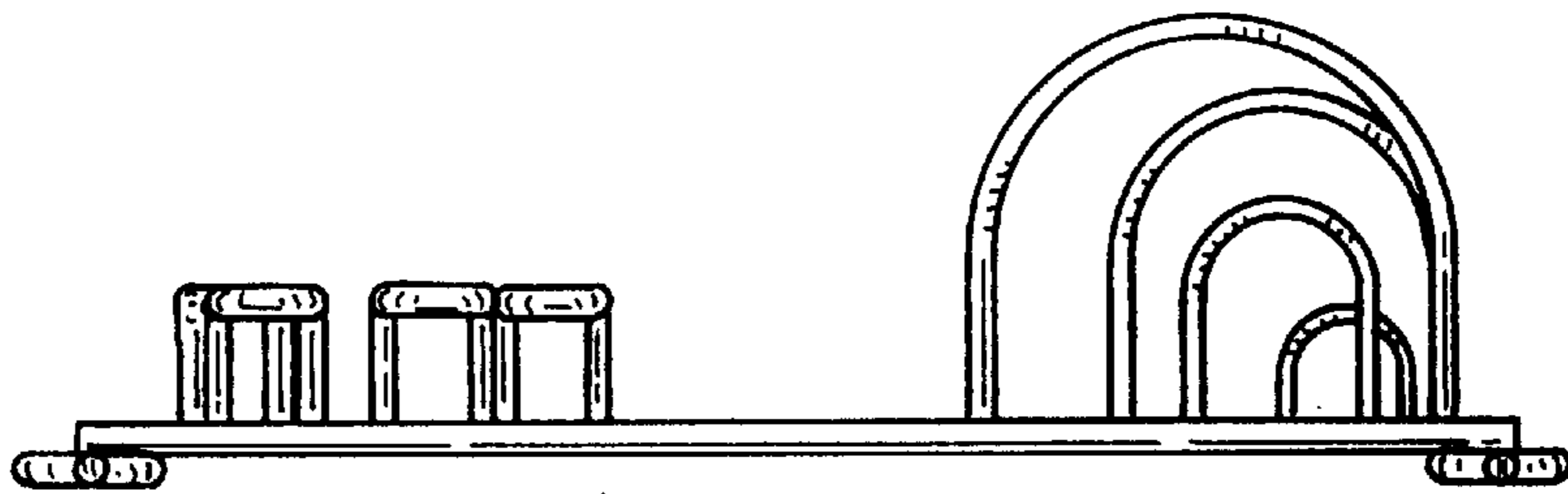


FIG. 5