



US00D400036S

# United States Patent [19]

Moore et al.

[11] **Patent Number: Des. 400,036**

[45] **Date of Patent: \*\*Oct. 27, 1998**

[54] **POST FOR BATH ACCESSORY**

2,956,767 10/1960 Unetic ..... D6/549 X

[76] Inventors: **Glenn David Moore**, 51 Charcoal Rd.,  
Newfoundland, N.J. 07435; **Leszek Solowiej**, 3 Independence Ct.,  
Montville, N.J. 07045

### OTHER PUBLICATIONS

Baldwin, Element A—Bath Accessory post brochure, Aug. 1997.

Ameritek, Elements B Bath Accessory Post Brochure, Aug. 1995.

[\*\*] Term: **14 Years**

*Primary Examiner*—Pamela Burgess

*Attorney, Agent, or Firm*—Edgar A. Zarins; Malcolm L. Sutherland

[21] Appl. No.: **68,344**

[22] Filed: **Apr. 4, 1997**

[51] **LOC (6) Cl.** ..... **06-04**

[52] **U.S. Cl.** ..... **D6/550**

[58] **Field of Search** ..... D6/550, 546–549,  
D6/524; 211/13.1, 86–87, 16, 44, 105.1,  
123, 182, 183; 248/200, 231.91, 251, 222.1,  
222.3; D8/21, 382, 308

### [57] CLAIM

The ornamental design for a post for bath accessory, as shown and described.

### [56] References Cited

#### U.S. PATENT DOCUMENTS

D. 66,320	12/1924	Baker	.....	D6/549
D. 180,811	8/1957	Schoenfeld	.....	D6/549
D. 188,714	8/1960	Bonistall	.....	D6/550
D. 300,998	5/1989	Gresens et al.	.....	D6/550 X
D. 329,347	9/1992	Gomes	.....	D6/549
D. 357,841	5/1995	Lehn et al.	.....	D6/549
1,769,326	9/1930	Weis	.....	D6/549 X

### DESCRIPTION

FIG. 1 is a perspective view of a post for bath accessory showing our new design, the broken lines shown are for illustrative purposes only and form no part of the claimed design;

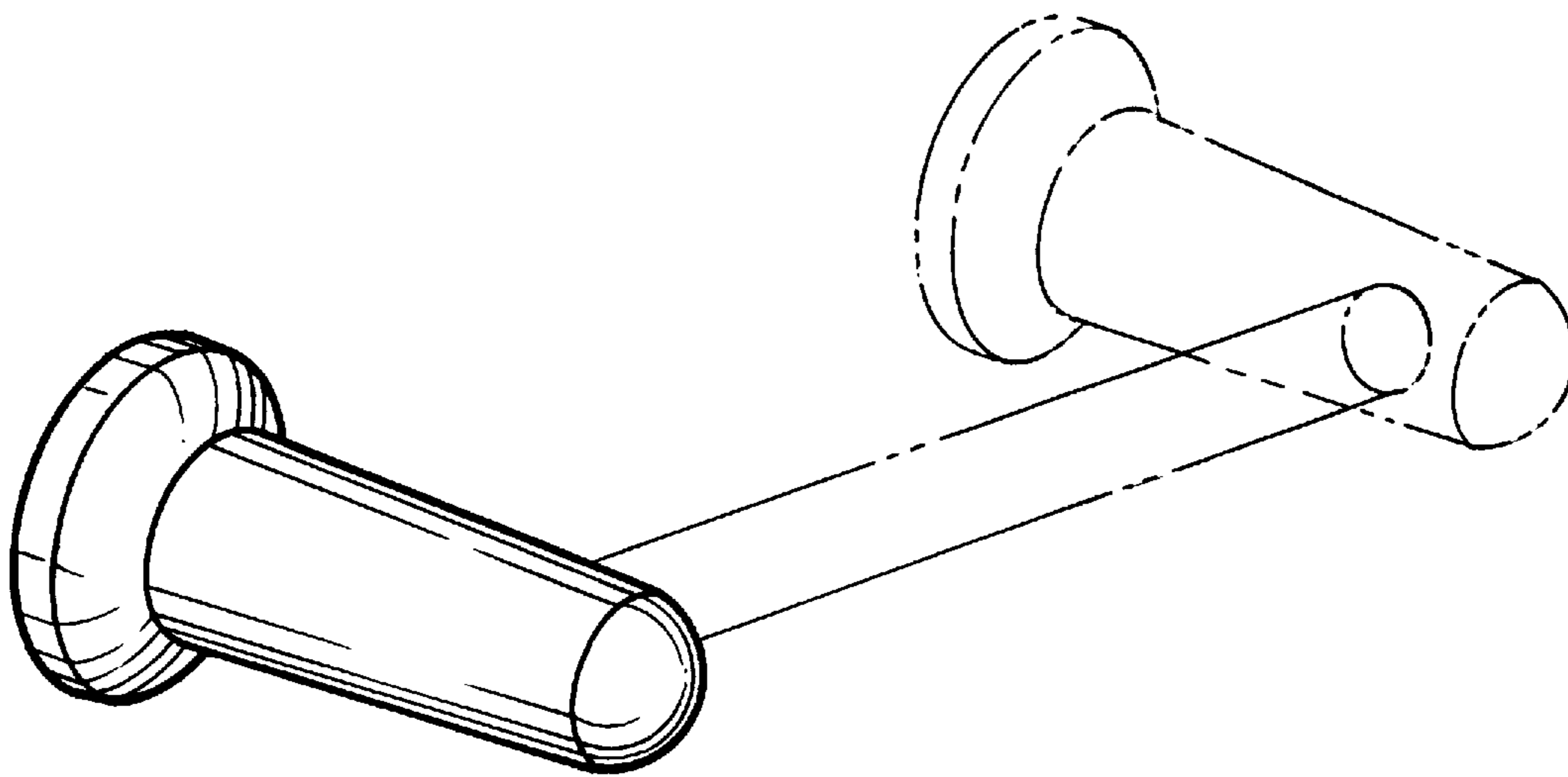
FIG. 2 is a top plan view thereof, the bottom being a mirror image of the side shown;

FIG. 3 is a first side view thereof;

FIG. 4 is a second side view thereof; and,

FIG. 5 is a front elevational view thereof.

**1 Claim, 2 Drawing Sheets**



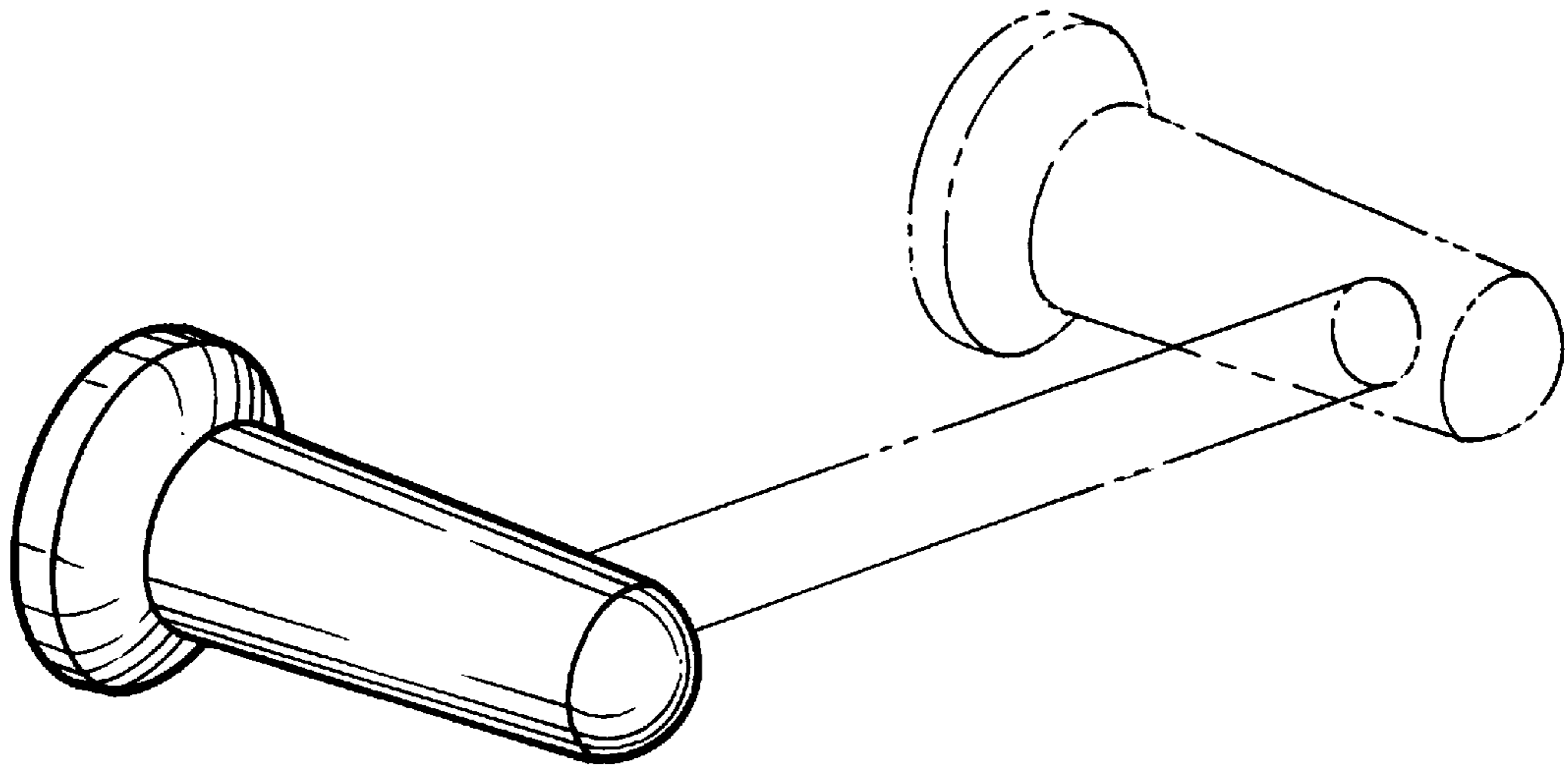


Fig-1

Fig-2

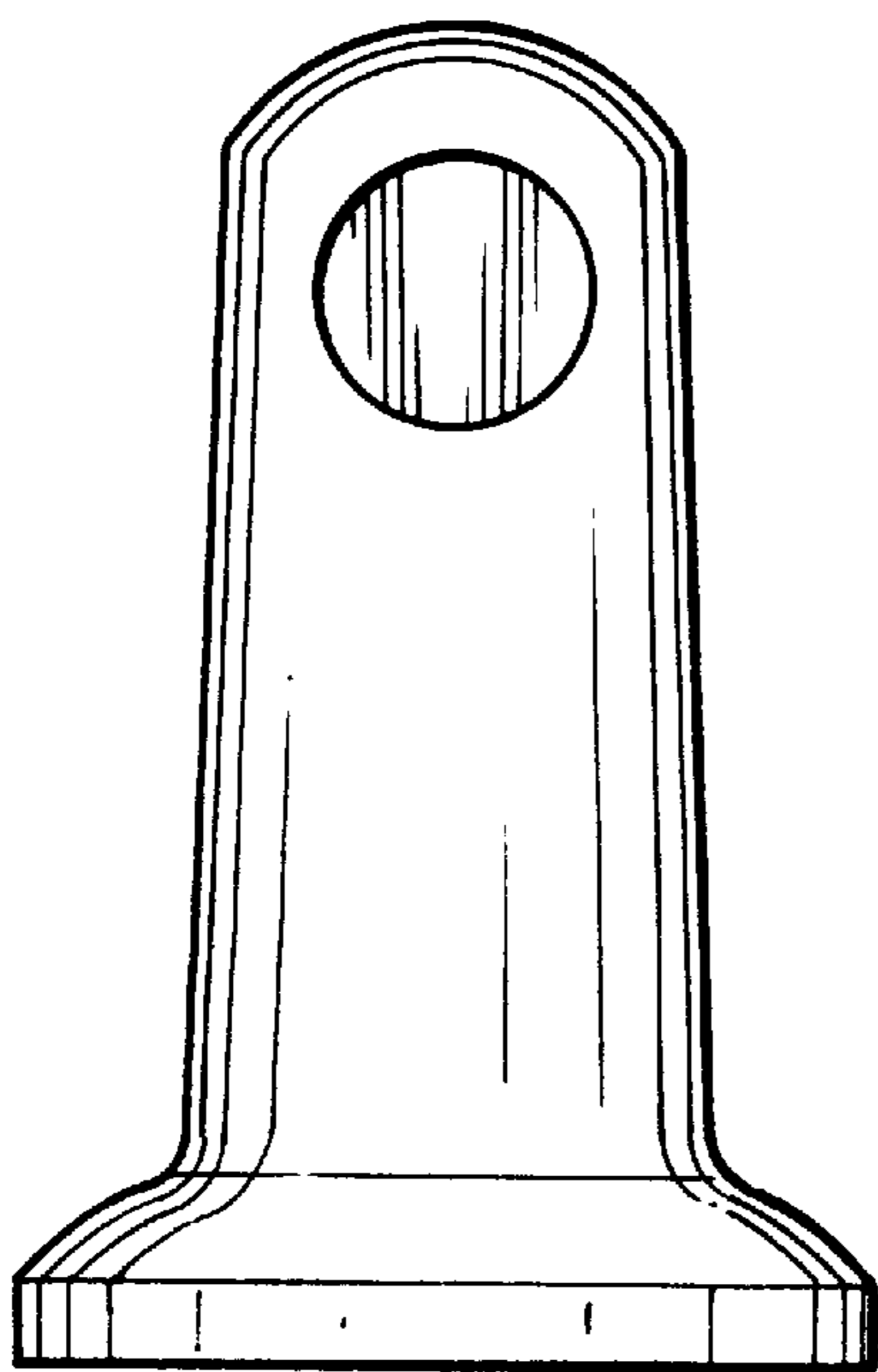
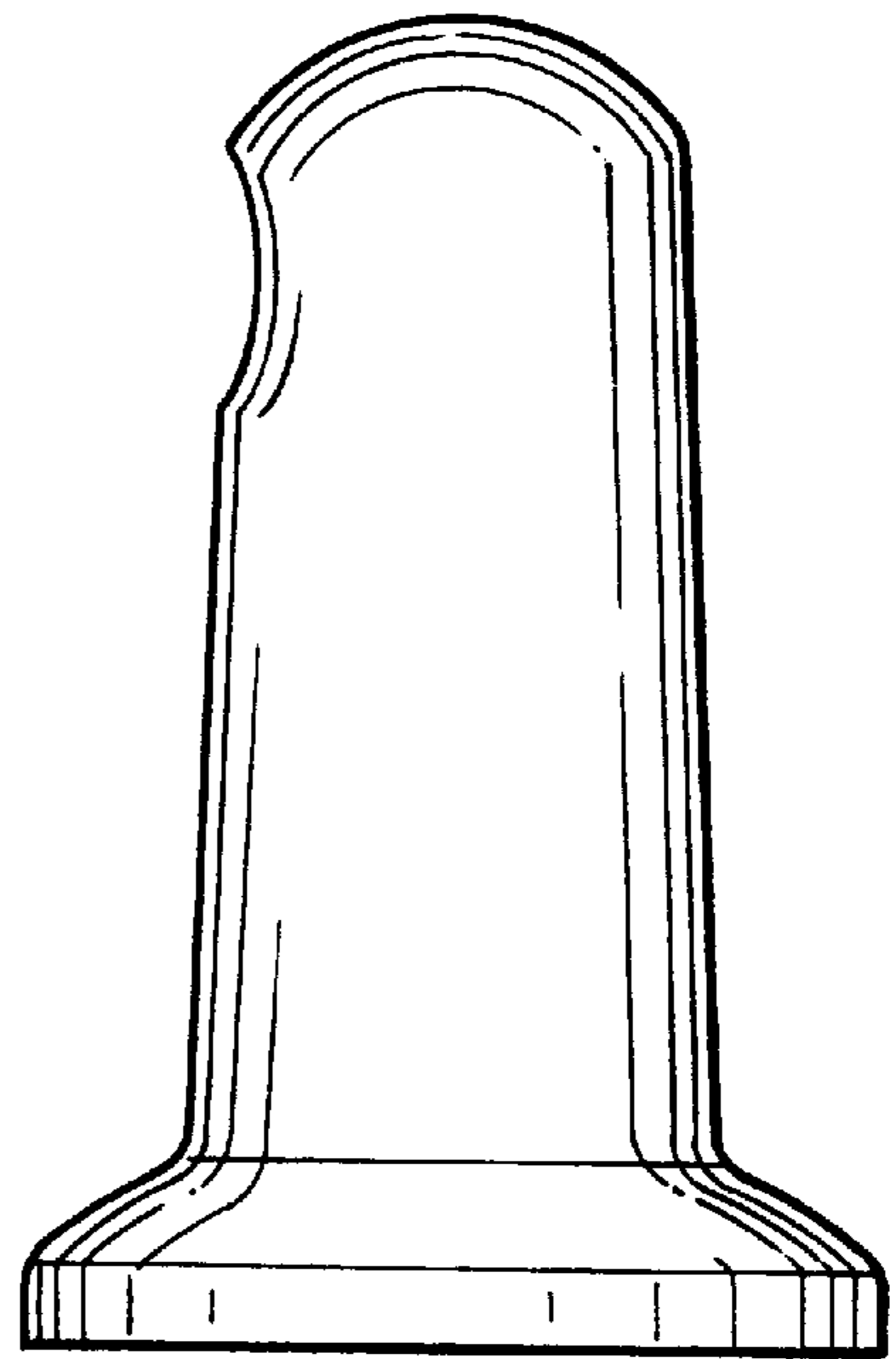


Fig-3

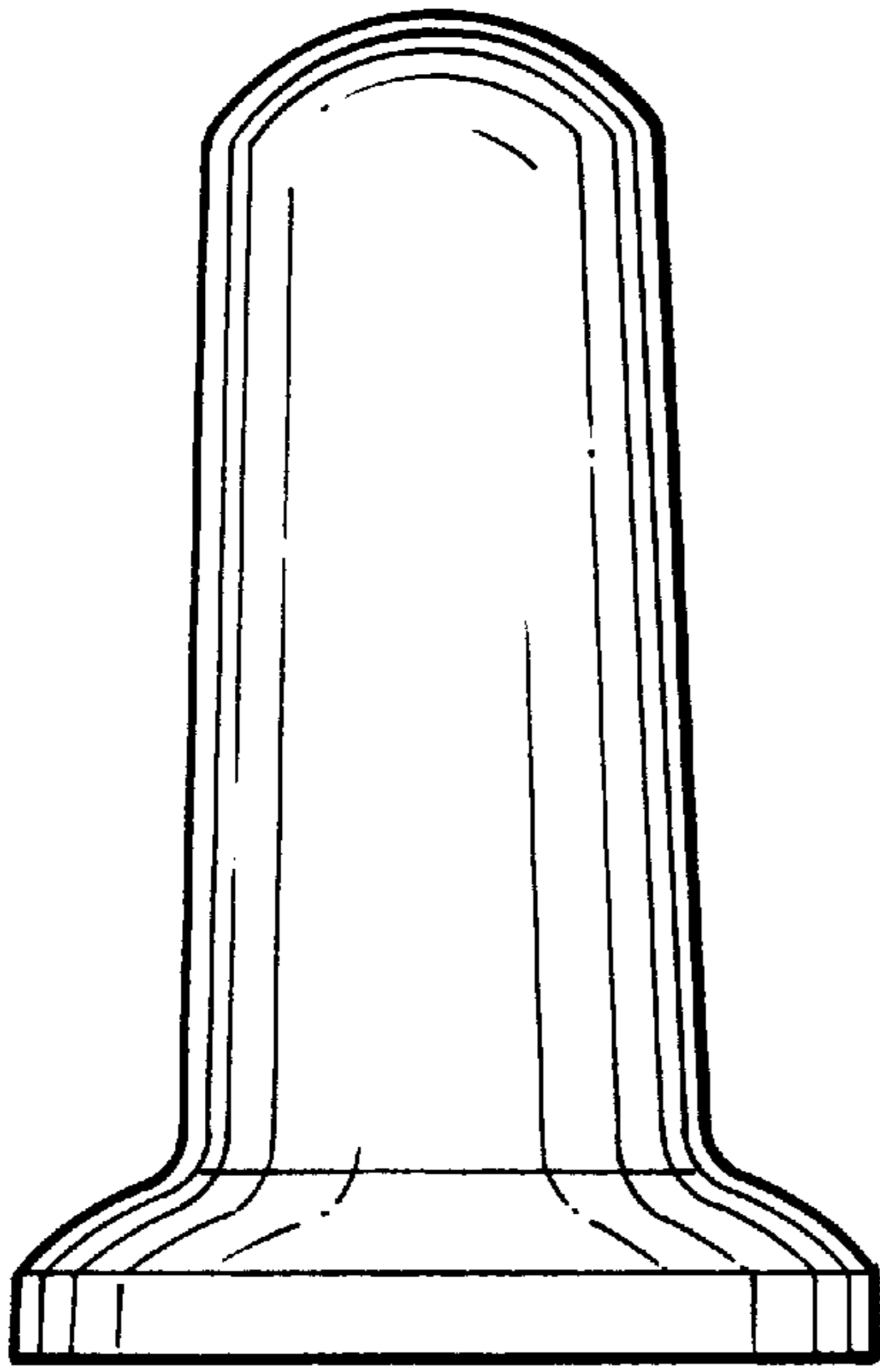


Fig-4

Fig-5

