



US00D400035S

United States Patent [19]
Kulkey

[11] **Patent Number: Des. 400,035**

[45] **Date of Patent: **Oct. 27, 1998**

[54] **TUBED MATERIAL HOLDER**

4,074,872 2/1978 Marshall et al. 312/34.8

[76] Inventor: **Richard E. Kulkey**, 16683 Sycamore St. NW., Andover, Minn. 55304

Primary Examiner—Brian N. Vinson
Attorney, Agent, or Firm—Dicke, Billig & Czaja, P.A.

[**] Term: **14 Years**

[57] **CLAIM**

[21] Appl. No.: **78,394**

The ornamental design for a tubed material holder, as shown and described.

[22] Filed: **Oct. 23, 1997**

DESCRIPTION

[51] **LOC (6) Cl.** **07-07**

FIG. 1 is a perspective view of a tubed material holder showing my new design;

[52] **U.S. Cl.** **D6/521**

FIG. 2 is a top plan view thereof;

[58] **Field of Search** D6/518-523, 566; 206/387; 312/34.1, 34.8; 211/181

FIG. 3 is a right side elevational view thereof;

FIG. 4 is a bottom elevational view thereof;

FIG. 5 is a left side elevational view thereof;

FIG. 6 is a front elevational view thereof; and,

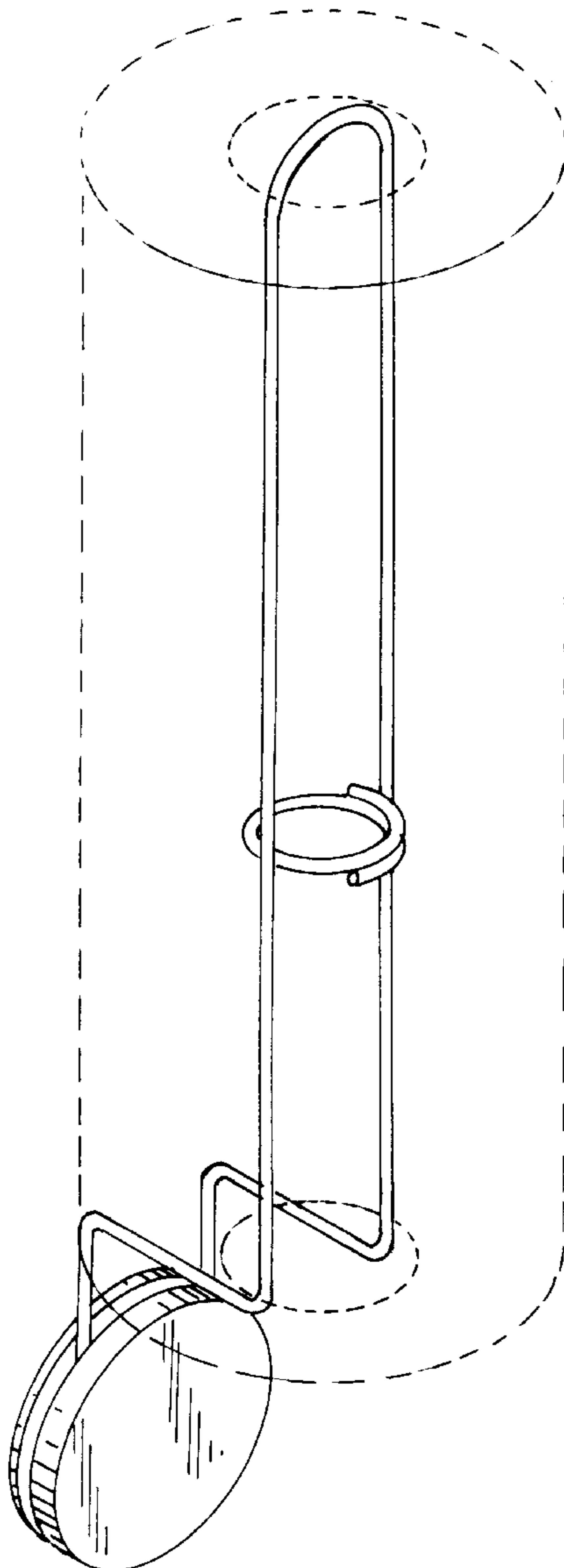
FIG. 7 is a rear elevational view thereof.

[56] **References Cited**

U.S. PATENT DOCUMENTS

- D. 390,054 2/1998 Goodman D6/522
- D. 393,389 4/1998 Thurston-Chartraw et al. D6/523

1 Claim, 3 Drawing Sheets



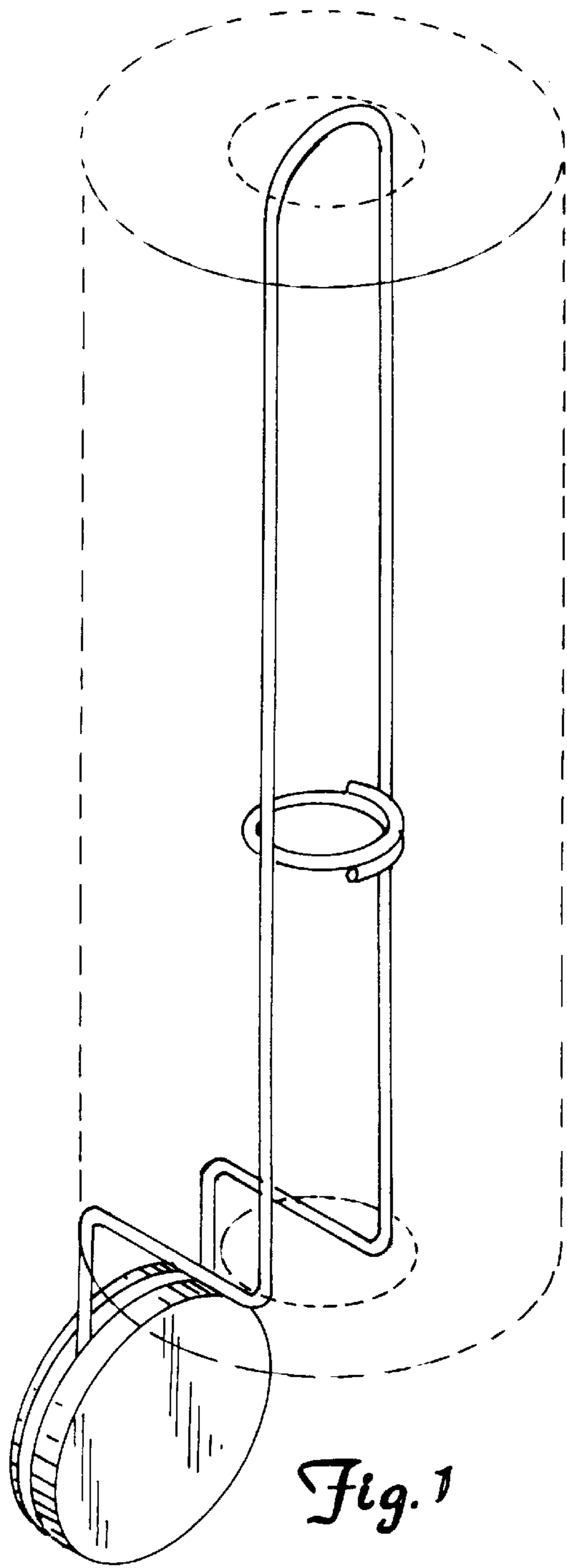


Fig. 1

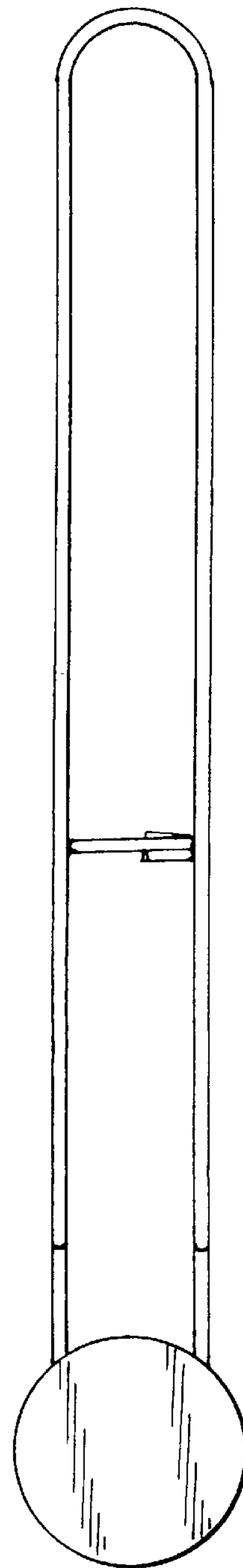


Fig. 2

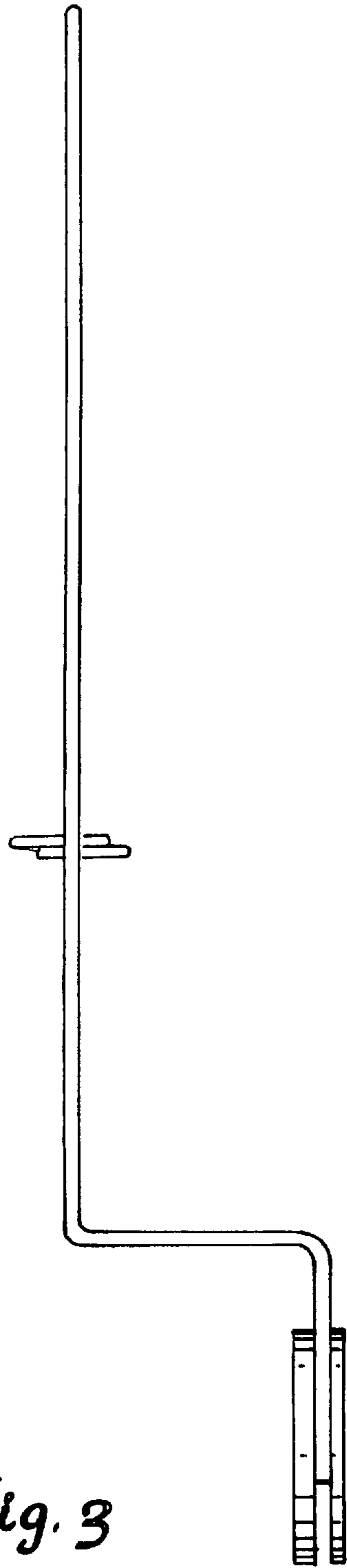


Fig. 3

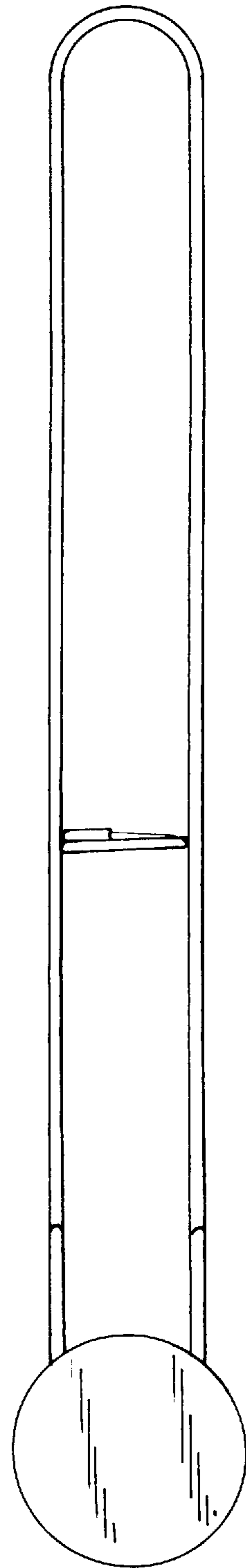


Fig. 4

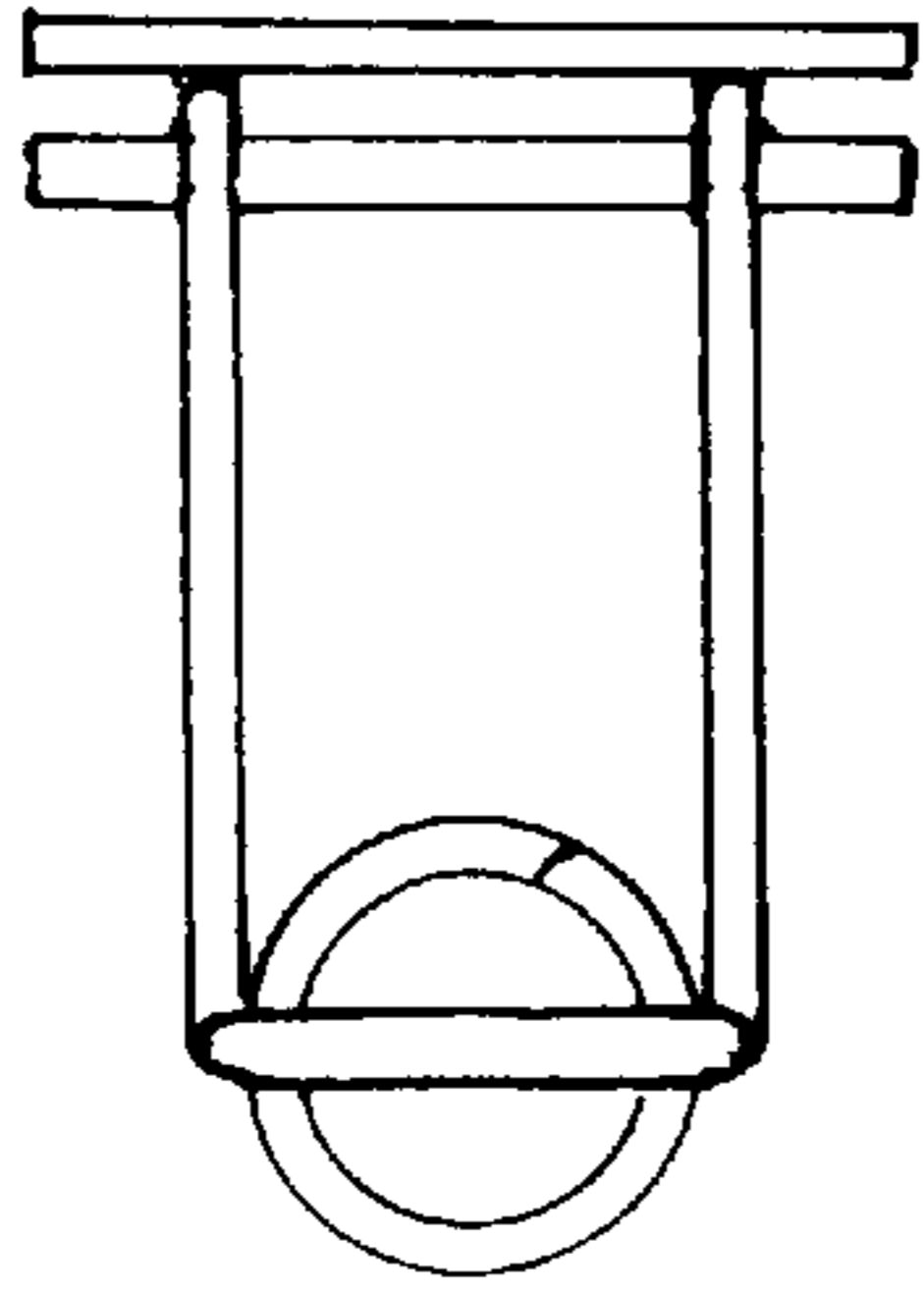


Fig. 6

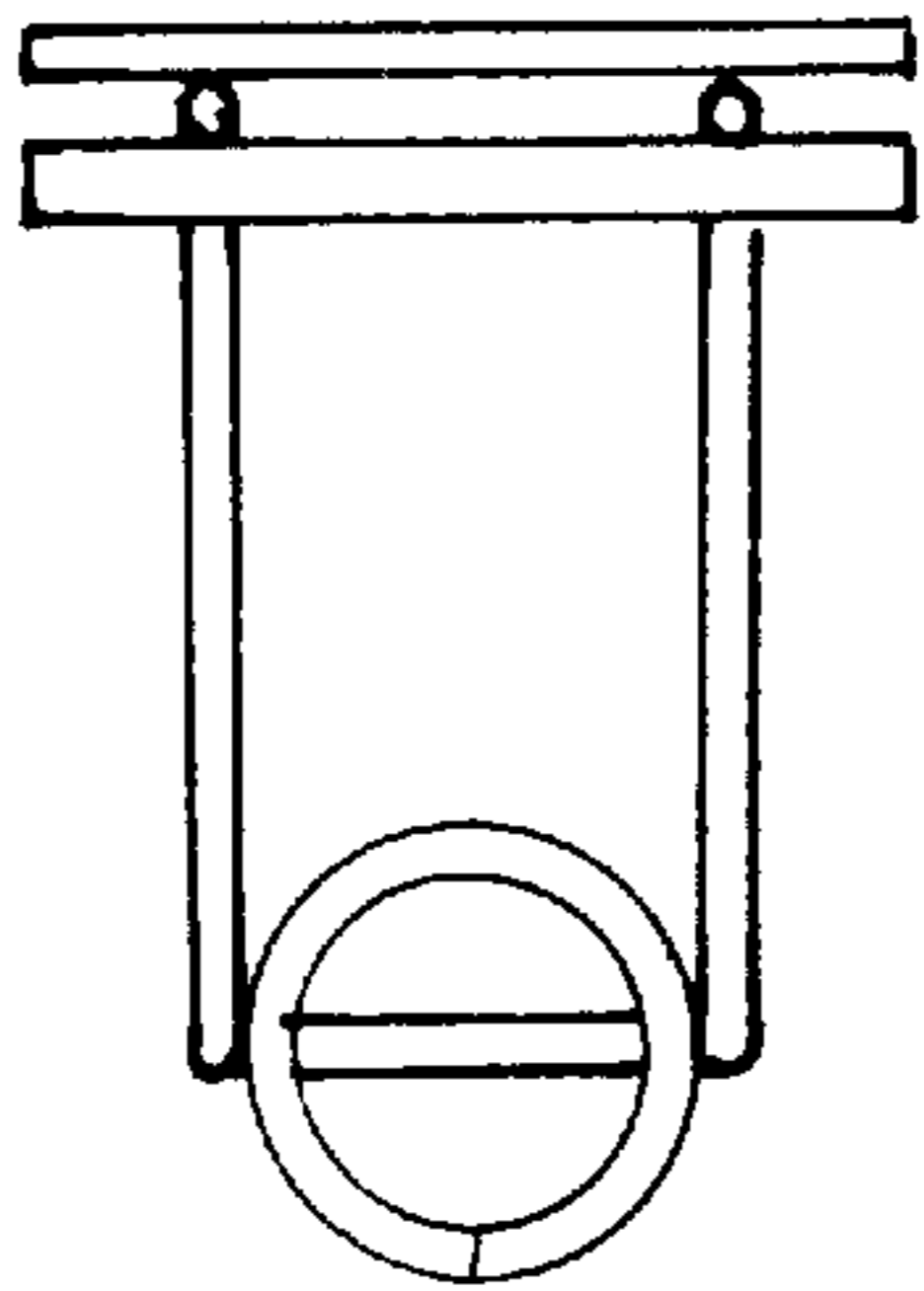


Fig. 7

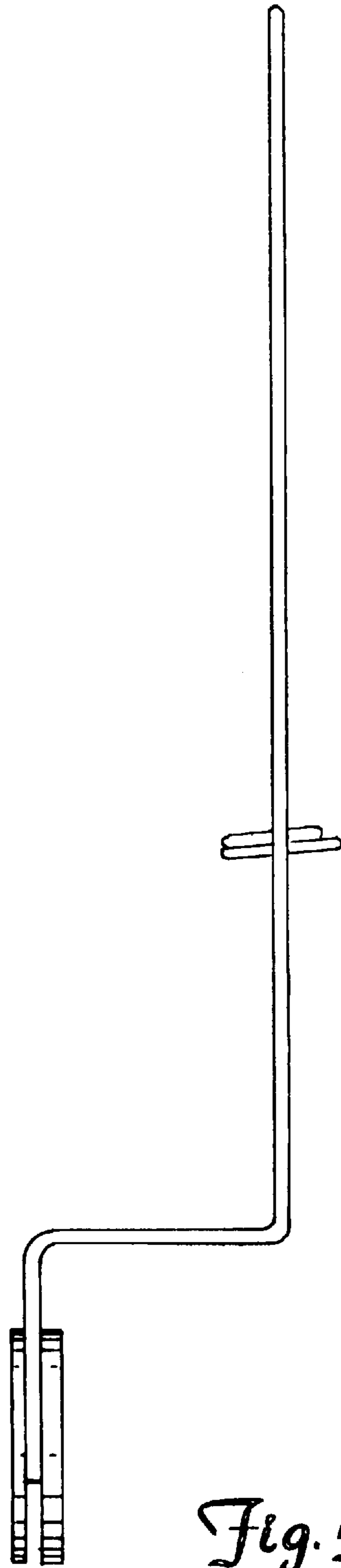


Fig. 5