



US00D400034S

United States Patent [19]
Zaidman

[11] **Patent Number: Des. 400,034**

[45] **Date of Patent: **Oct. 27, 1998**

[54] **HEADBOARD**

[75] Inventor: **Paul Zaidman**, Winnipeg, Canada

[73] Assignee: **Palliser Furniture Ltd.**, Winnipeg, Canada

[**] Term: **14 Years**

[21] Appl. No.: **67,188**

[22] Filed: **Feb. 28, 1997**

[51] **LOC (6) Cl.** **06-01**

[52] **U.S. Cl.** **D6/505**

[58] **Field of Search** D6/382, 383, 389-395, D6/505-508; 5/53.1, 279.1, 280, 281, 907

[56] **References Cited**

U.S. PATENT DOCUMENTS

D. 353,950 1/1995 Ferguson D6/393

D. 353,953 1/1995 Keller D6/395

OTHER PUBLICATIONS

J.C. Penney, Fall/Winter 1995, p. 1082, bed at top.

Primary Examiner—Janice E. Seeger

Attorney, Agent, or Firm—Pollock, Vande Sande & Priddy

[57] **CLAIM**

The ornamental design for a headboard, as shown and described.

DESCRIPTION

FIG. 1 is a top view of the headboard showing my new design;

FIG. 2 is a front view thereof;

FIG. 3 is a left side elevational view, the right side being identical thereto; and,

FIG. 4 is a right front perspective view thereof.

1 Claim, 2 Drawing Sheets

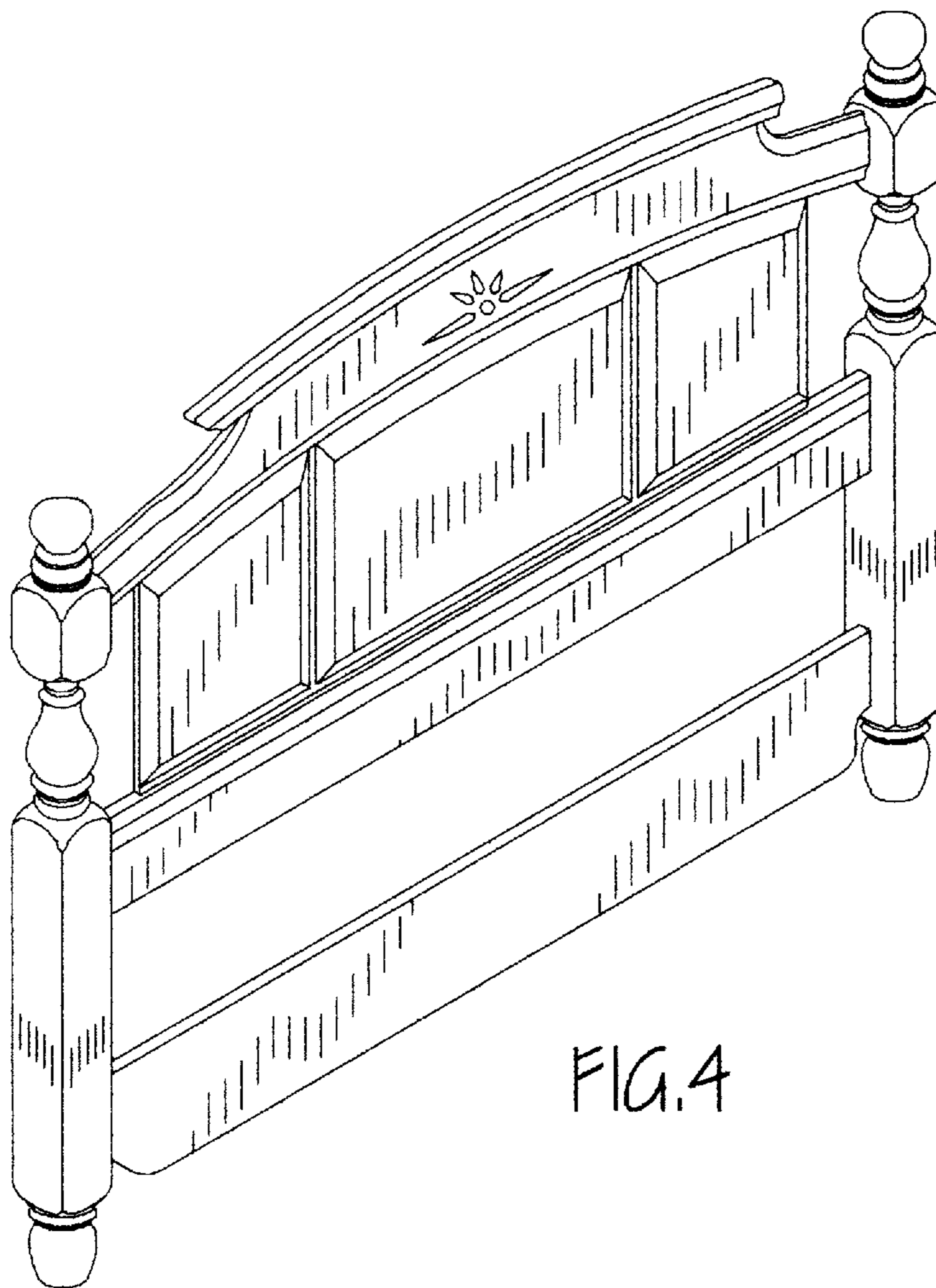


FIG. 4

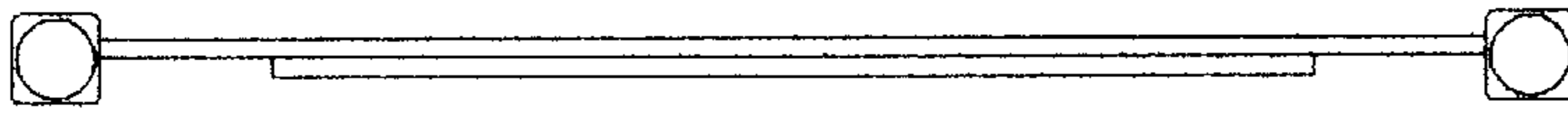


FIG. 1

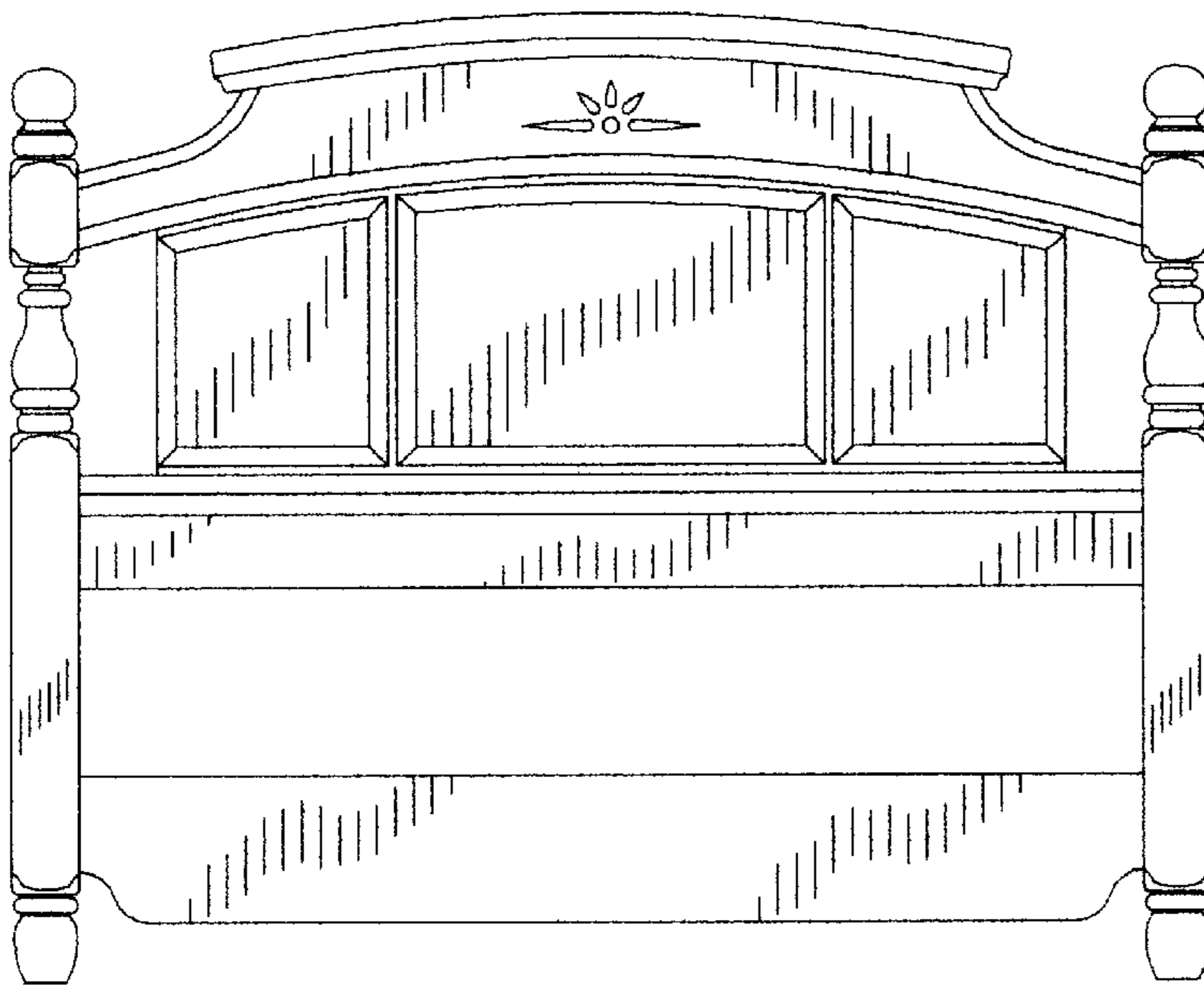


FIG. 2



FIG. 3

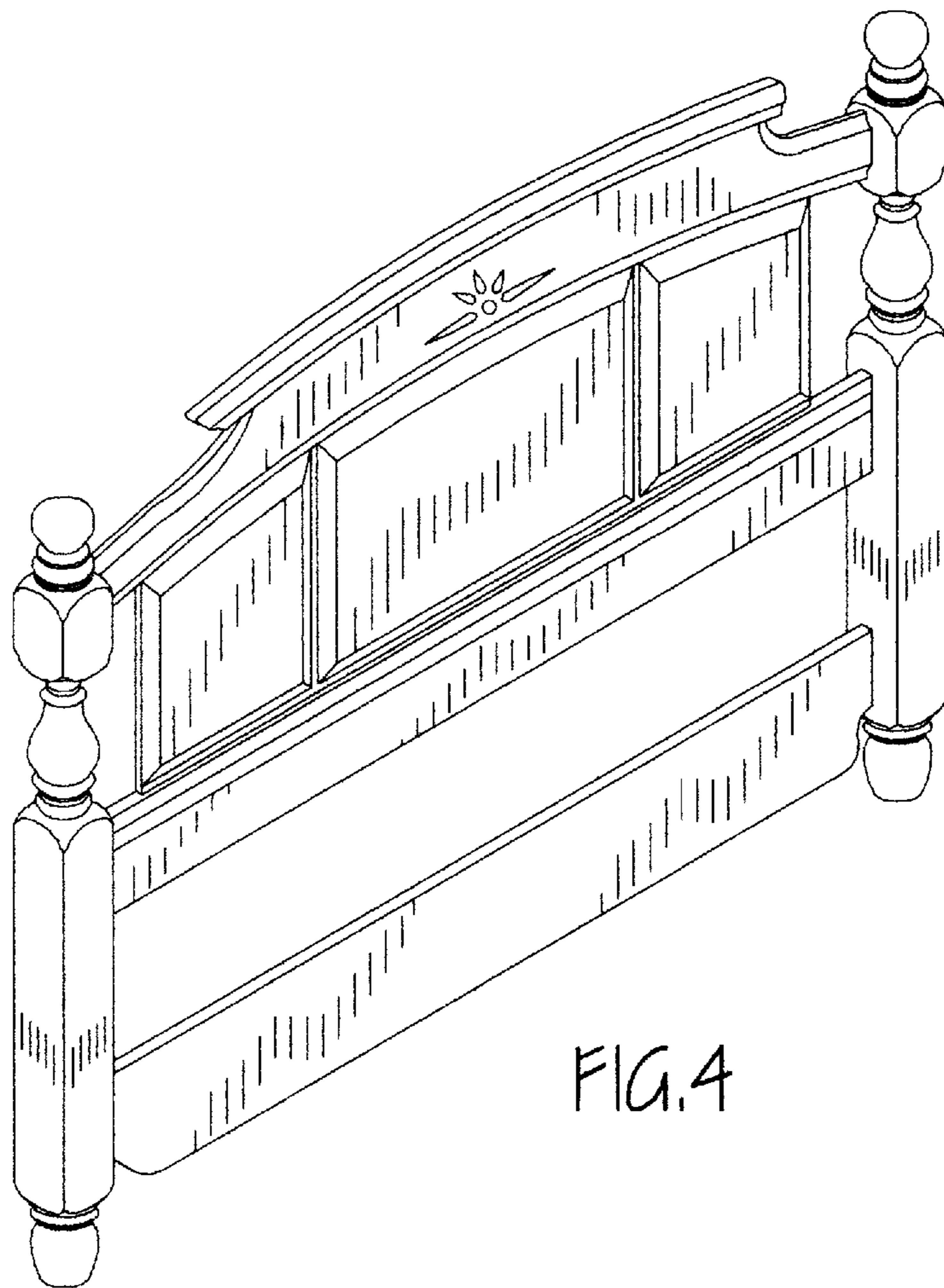


FIG. 4