



US00D400031S

**United States Patent** [19]  
**Congleton**

[11] **Patent Number: Des. 400,031**  
[45] **Date of Patent: \*\*Oct. 27, 1998**

[54] **ADJUSTABLE HEIGHT CHAIR ARM**

5,388,892 2/1995 Tornero ..... 297/411.2 X

[75] Inventor: **Drew J. Congleton**, College Station, Tex.

*Primary Examiner*—Janice E. Seeger  
*Attorney, Agent, or Firm*—J. Mark Gilbreth; Robert W. Strozier; Gilbreth & Strozier, P.C.

[73] Assignee: **Body Bilt Seating, Inc.**, Navasota, Tex.

[\*\*] Term: **14 Years**

[57] **CLAIM**

[21] Appl. No.: **68,578**

The ornamental design for an adjustable height chair arm, as shown and described.

[22] Filed: **Mar. 24, 1997**

**DESCRIPTION**

**Related U.S. Application Data**

[63] Continuation-in-part of Ser. No. 42,078, Jul. 31, 1995, abandoned.

FIG. 1 is a front prespective view of an adjustable height chair arm, showing my new design; the broken lines are for environmental purposes only and form no part of the claimed design;

[51] **LOC (6) Cl.** ..... **06-06**

FIG. 2 is a right side elevational view thereof;

[52] **U.S. Cl.** ..... **D6/501**

FIG. 3 is a front elevational view thereof;

[58] **Field of Search** ..... D6/500-502, 334, D6/368, 366; 297/411.2, 411.25, 411.26, 411.27, 411.45, 411.46

FIG. 4 is a rear elevational view thereof;

FIG. 5 is a Left elevational view thereof;

FIG. 6 is a top elevational view thereof; and,

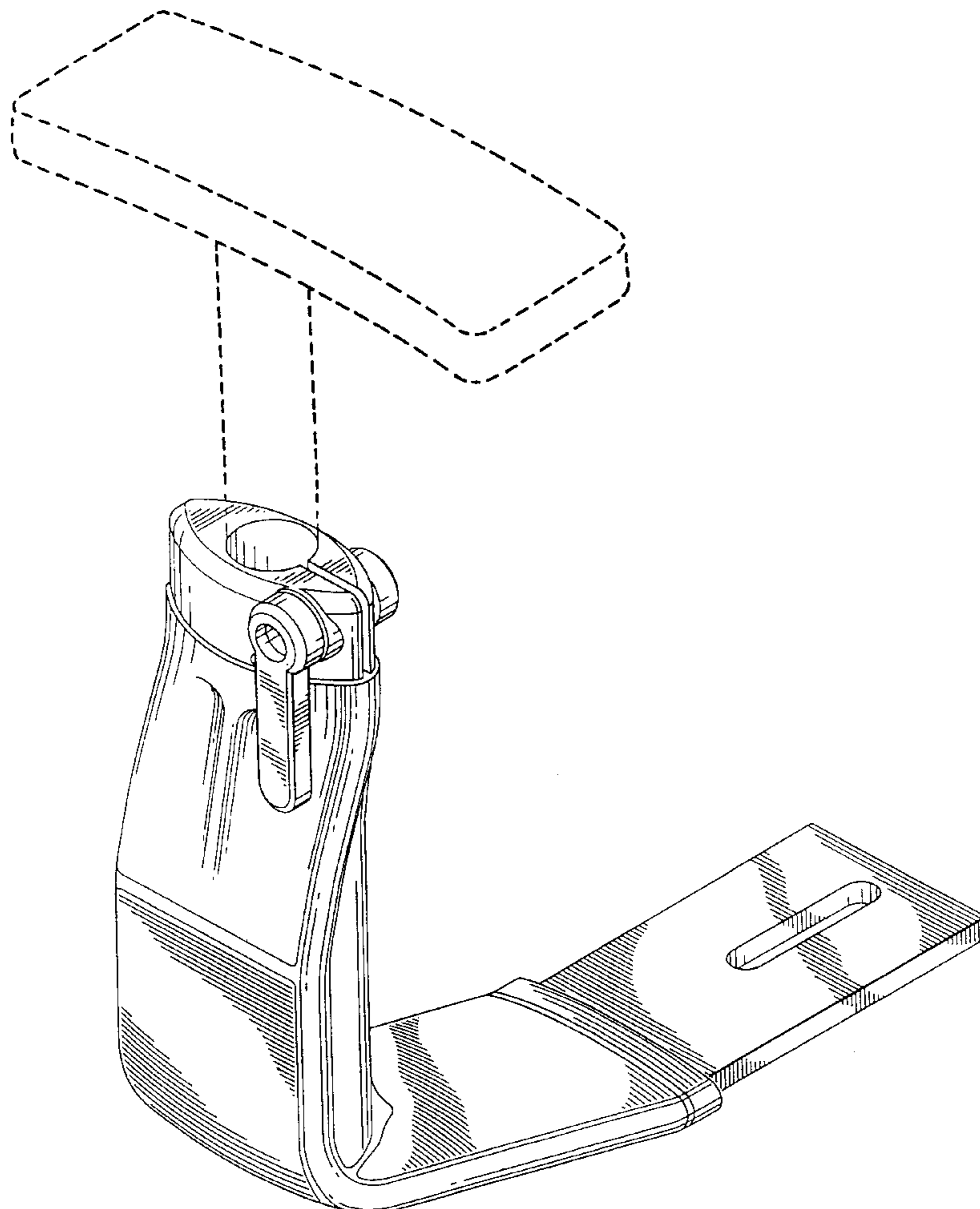
FIG. 7 is a bottom elevational view thereof.

[56] **References Cited**

**U.S. PATENT DOCUMENTS**

5,265,938 11/1993 Melhuish et al. .... 297/411.45 X

**1 Claim, 4 Drawing Sheets**



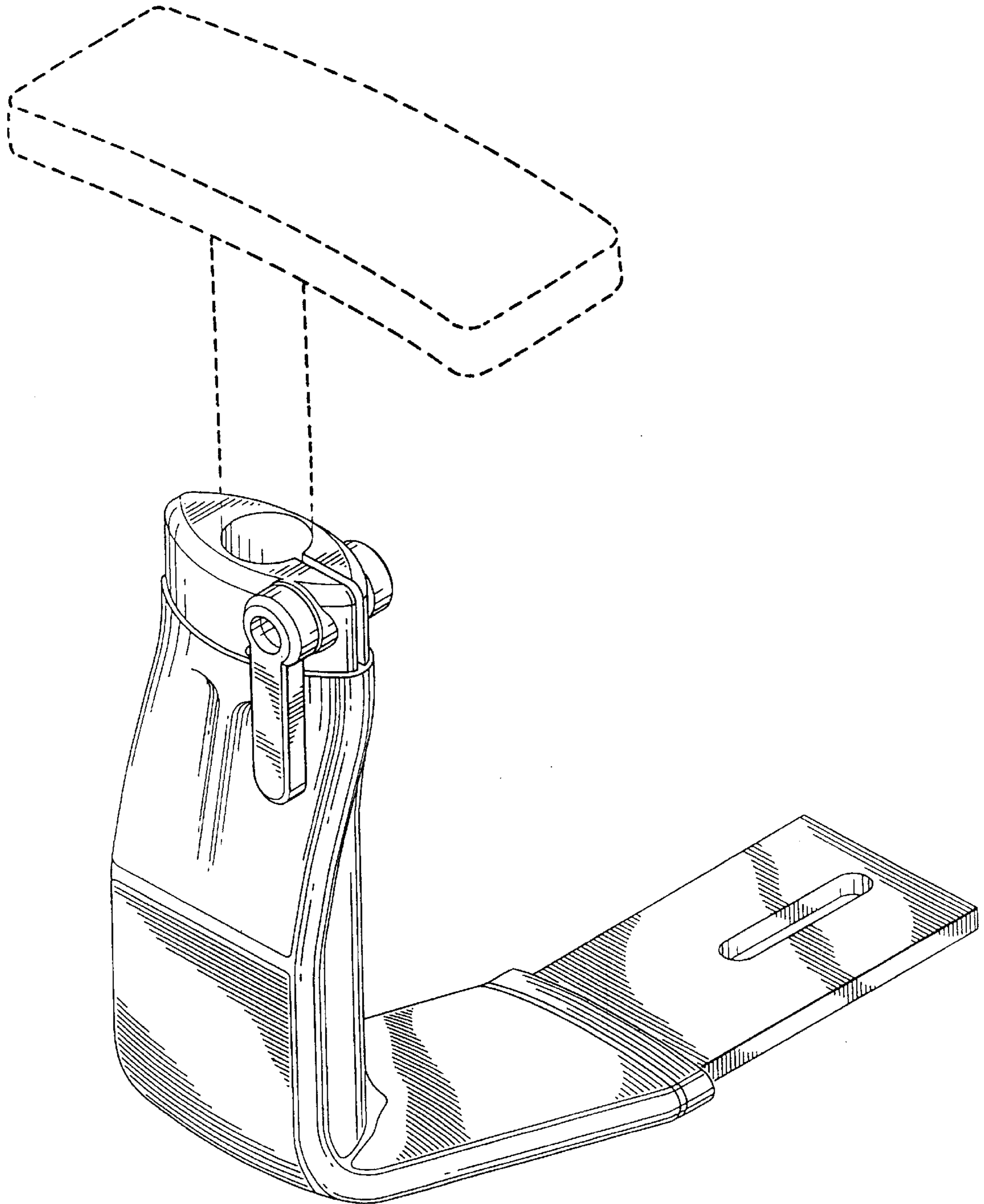


FIG. 1

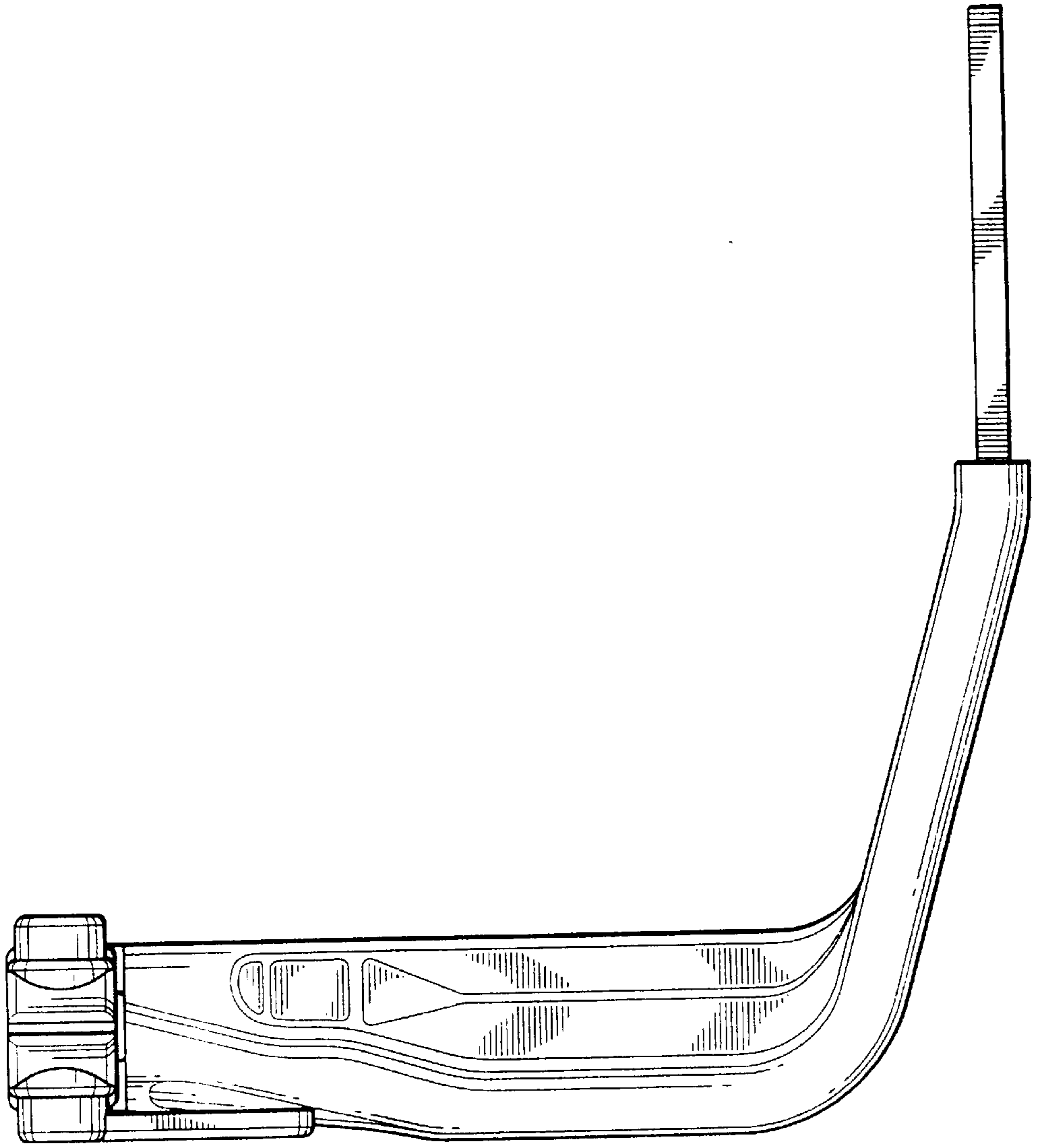


FIG. 3

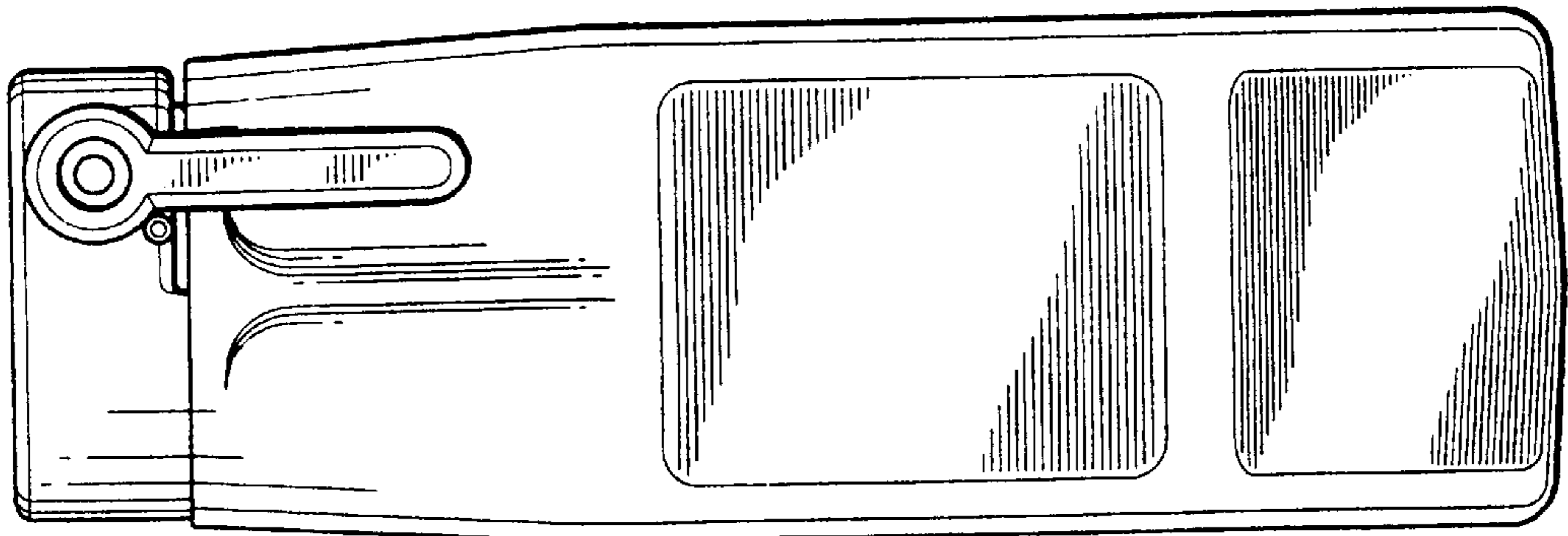


FIG. 2

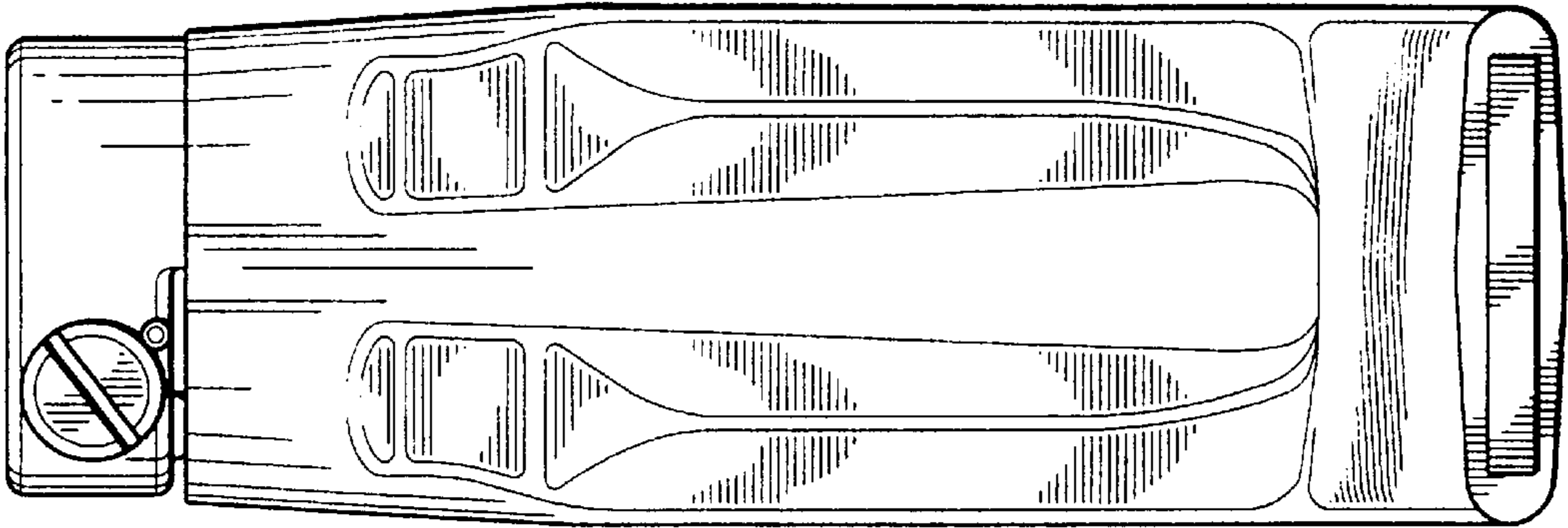


FIG. 5

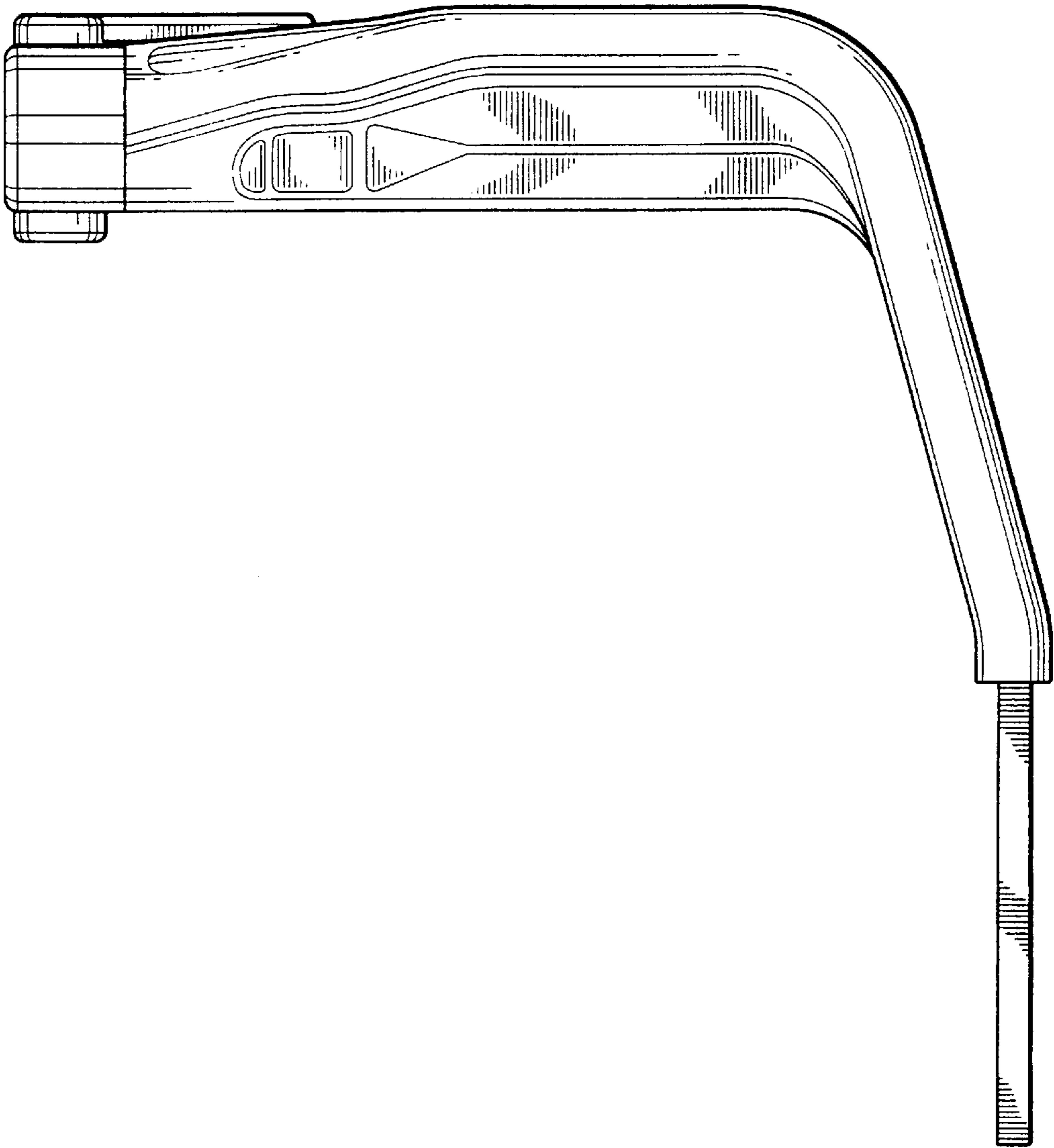


FIG. 4

FIG. 6

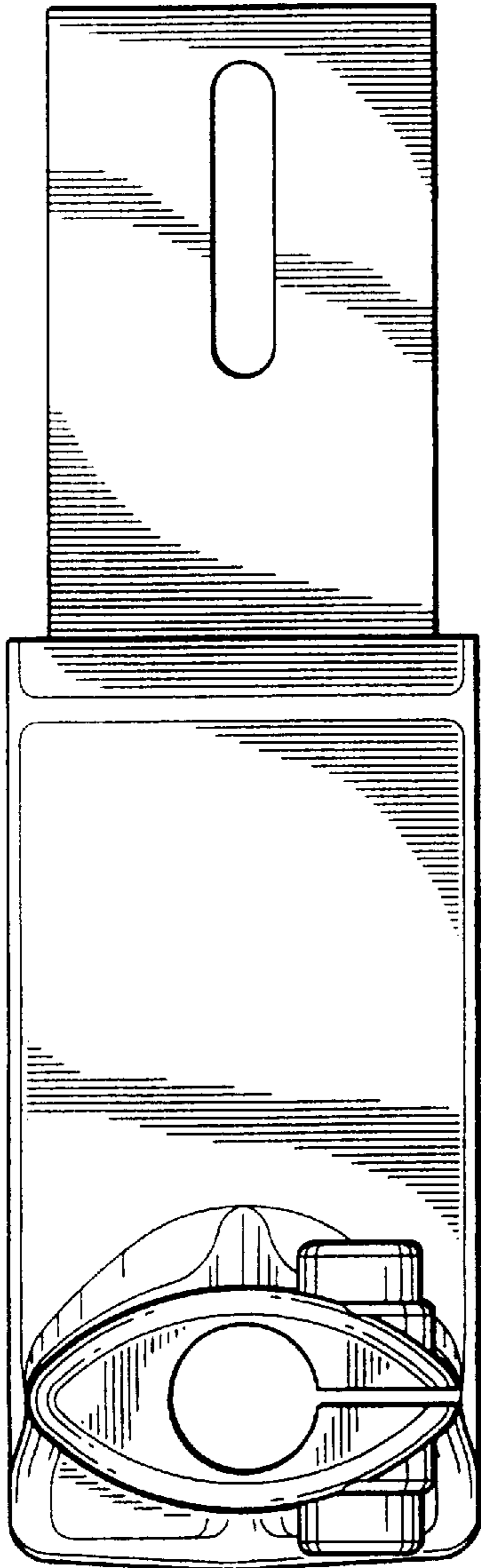


FIG. 7

