



US00D400030S

United States Patent [19]

Wetzel

[11] Patent Number: **Des. 400,030**

[45] Date of Patent: ****Oct. 27, 1998**

[54] **REFRIGERATED FLORAL DISPLAY UNIT**

[75] Inventor: **Michael L. Wetzel**, Skaneateles, N.Y.

[73] Assignee: **Florotech Industries, Inc.**, Syracuse, N.Y.

[**] Term: **14 Years**

[21] Appl. No.: **77,971**

[22] Filed: **Oct. 10, 1997**

[51] **LOC (6) Cl.** **06-04**

[52] **U.S. Cl.** **D6/474; D6/470**

[58] **Field of Search** D6/396, 397, 470-472, D6/474, 436-439, 405; 312/114, 116-118, 126-130, 138.1, 140.1, 140.2, 278; D25/1, 16; D34/12, 21; 211/133.1, 1, 13.1; 47/39, 41.01; 280/47.35, 79.2; 248/176.1; 62/246, 247, 248-252, 258, 255, 256; 108/92; D15/79, 81

D. 315,260	3/1991	Kelly	D6/405
D. 352,192	11/1994	Gelinas	D6/474
899,052	9/1908	Imus	108/25
2,279,484	4/1942	Munshower	62/251
2,777,584	1/1957	Dobrin et al.	280/79.3 X
4,551,943	11/1985	Pas	47/41.01
4,608,835	9/1986	Kooy	62/255

Primary Examiner—James Gandy
Assistant Examiner—Linda Brooks
Attorney, Agent, or Firm—Trapani & Molldrem

[57] CLAIM

The ornamental design for a refrigerated floral display unit, as shown and described.

DESCRIPTION

FIG. 1 is a perspective view of a refrigerated floral display unit showing my new design, with a non-refrigerated half-round display unit shown in broken lines for purposes of illustration only and forming no part of the claimed design; FIG. 2 is a top plan view thereof; FIG. 3 is a front elevational view thereof; and, FIG. 4 is a left side elevation thereof, the right side elevation being a mirror image.

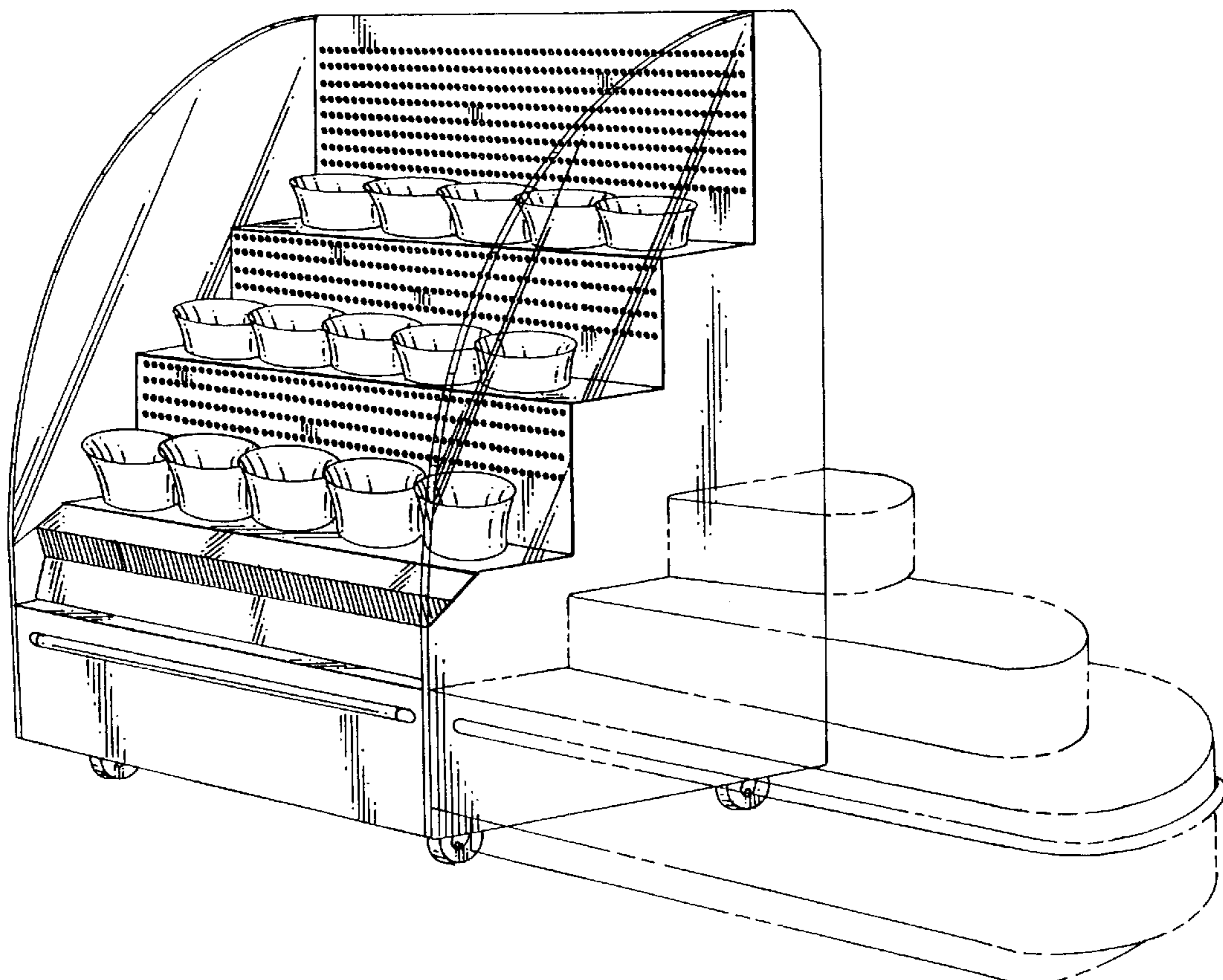
The portion of the rear side which is not shown in FIG. 2 below the panel with the repeating pattern of vertical lines is flat and unornamented. The bottom of the refrigerated floral display unit forms no part of the claimed design.

1 Claim, 3 Drawing Sheets

[56] References Cited

U.S. PATENT DOCUMENTS

D. 145,136	10/1946	Hoffman	.	
D. 148,767	5/1948	Yantis	.	
D. 149,966	12/1948	Newman	.	
D. 156,416	10/1949	Greiling	D6/470
D. 209,722	12/1967	Mangini	D6/471
D. 280,790	10/1985	Kooy	D6/471



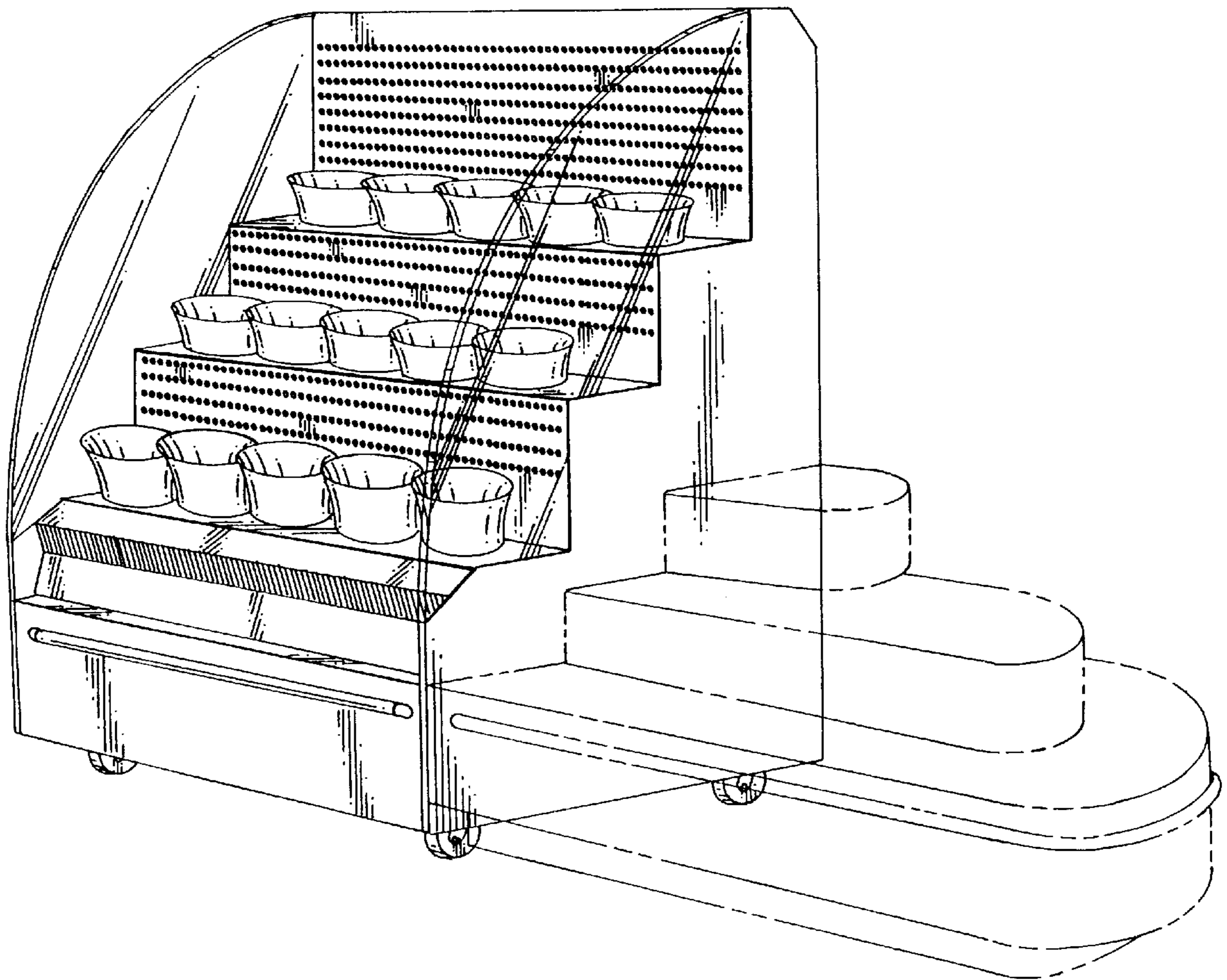


FIG. 1

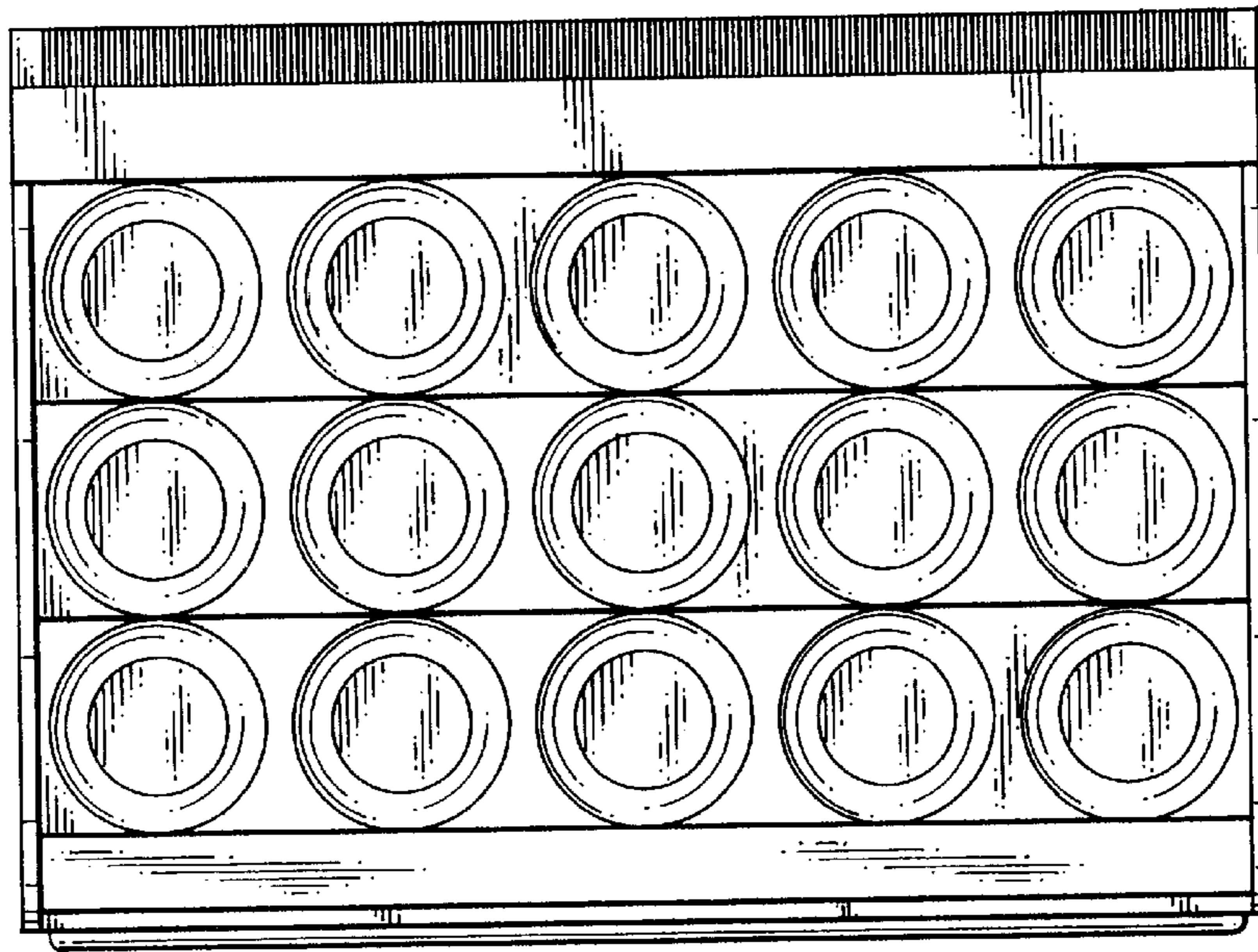


FIG. 2

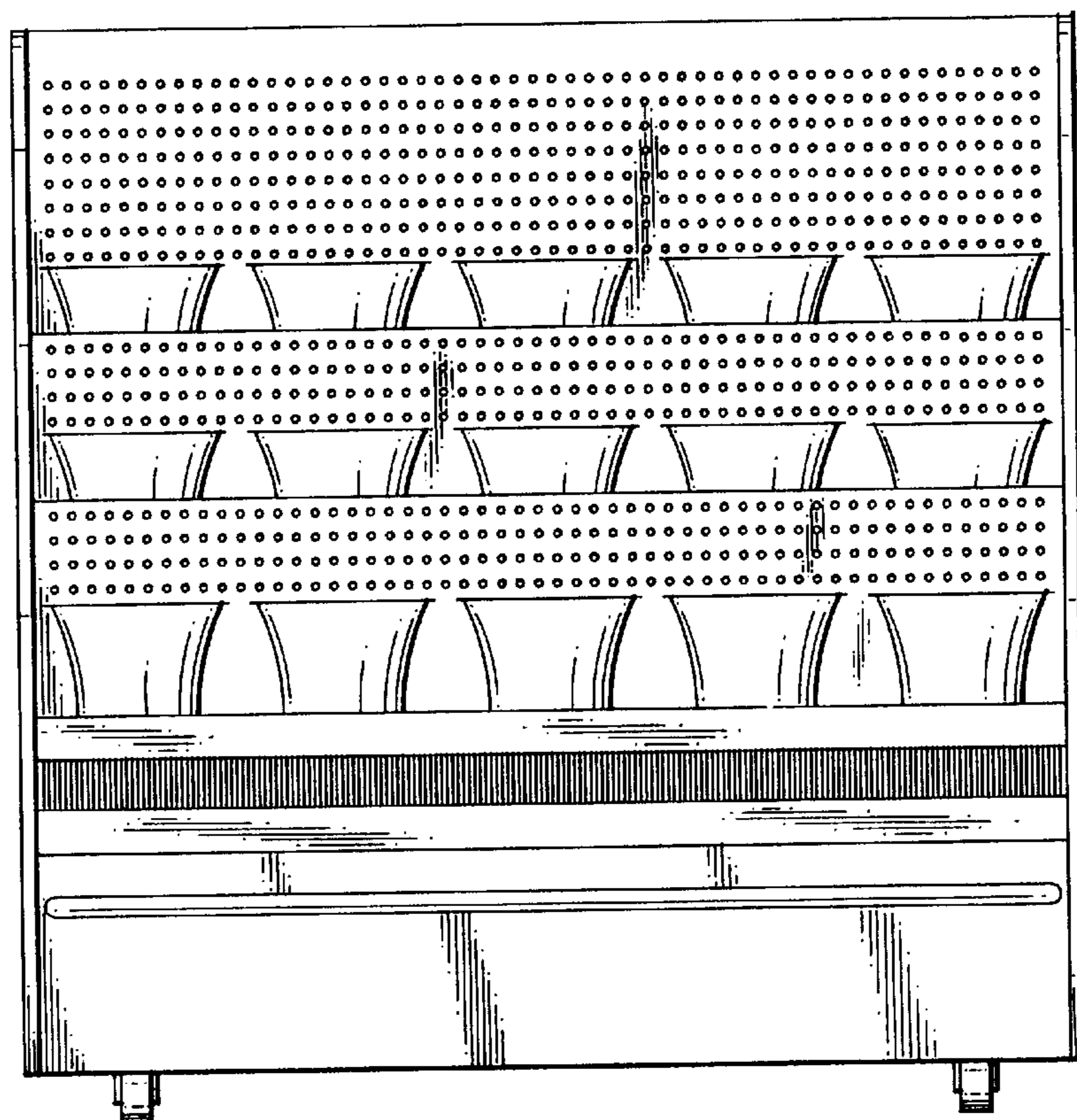


FIG. 3

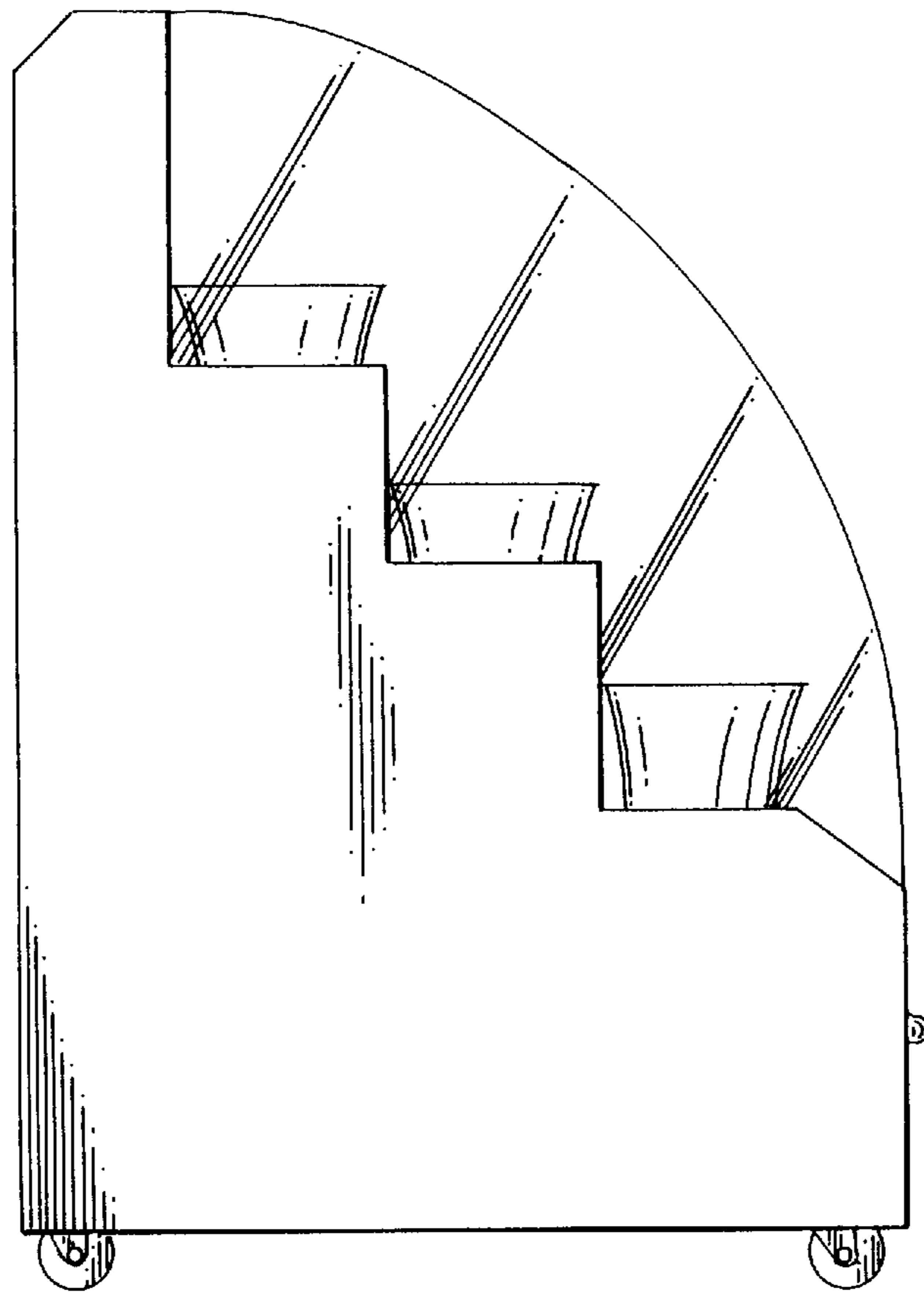


FIG. 4