



US00D400022S

United States Patent [19] Hutton

[11] **Patent Number: Des. 400,022**

[45] **Date of Patent: **Oct. 27, 1998**

[54] **CHAIR**

[75] Inventor: **John Hutton**, New York, N.Y.

[73] Assignee: **Donghia Furniture Co., Ltd.**, New York, N.Y.

[**] Term: **14 Years**

[21] Appl. No.: **64,817**

[22] Filed: **Jan. 10, 1997**

[51] **LOC (6) Cl.** **06-01**

[52] **U.S. Cl.** **D6/379**

[58] **Field of Search** D6/334, 374, 379,
D6/500, 501, 502; 297/445.1, 446.1

[56] **References Cited**

U.S. PATENT DOCUMENTS

D. 66,697	2/1925	McCargar	D6/379
D. 84,514	6/1931	Brown	D6/379
D. 84,860	8/1931	Tucker	D6/379
D. 186,308	10/1959	Knoll	D6/334
D. 227,209	6/1973	Fisher	D6/334
D. 262,244	12/1981	Wilson	D6/379

OTHER PUBLICATIONS

Grand Eaton Chair depicted in Donghia Catalog page, ©1995, Donghia Furniture Co. Ltd., New York, NY.
Eaton Club Chair and Ottoman depicted in Donghia Catalog page, ©1995, Donghia Furniture Co., Ltd., New York, NY.

Eaton Arm and Side Chair depicted in Donghia Catalog page, ©1995, Donghia Furniture Co., Ltd., New York, NY.

Primary Examiner—Gary D. Watson
Attorney, Agent, or Firm—Heslin & Rothenberg, P.C.

[57] **CLAIM**

The ornamental design for a chair, as shown and described.

DESCRIPTION

FIG. 1 is a front elevational view of the chair comprising my new design;

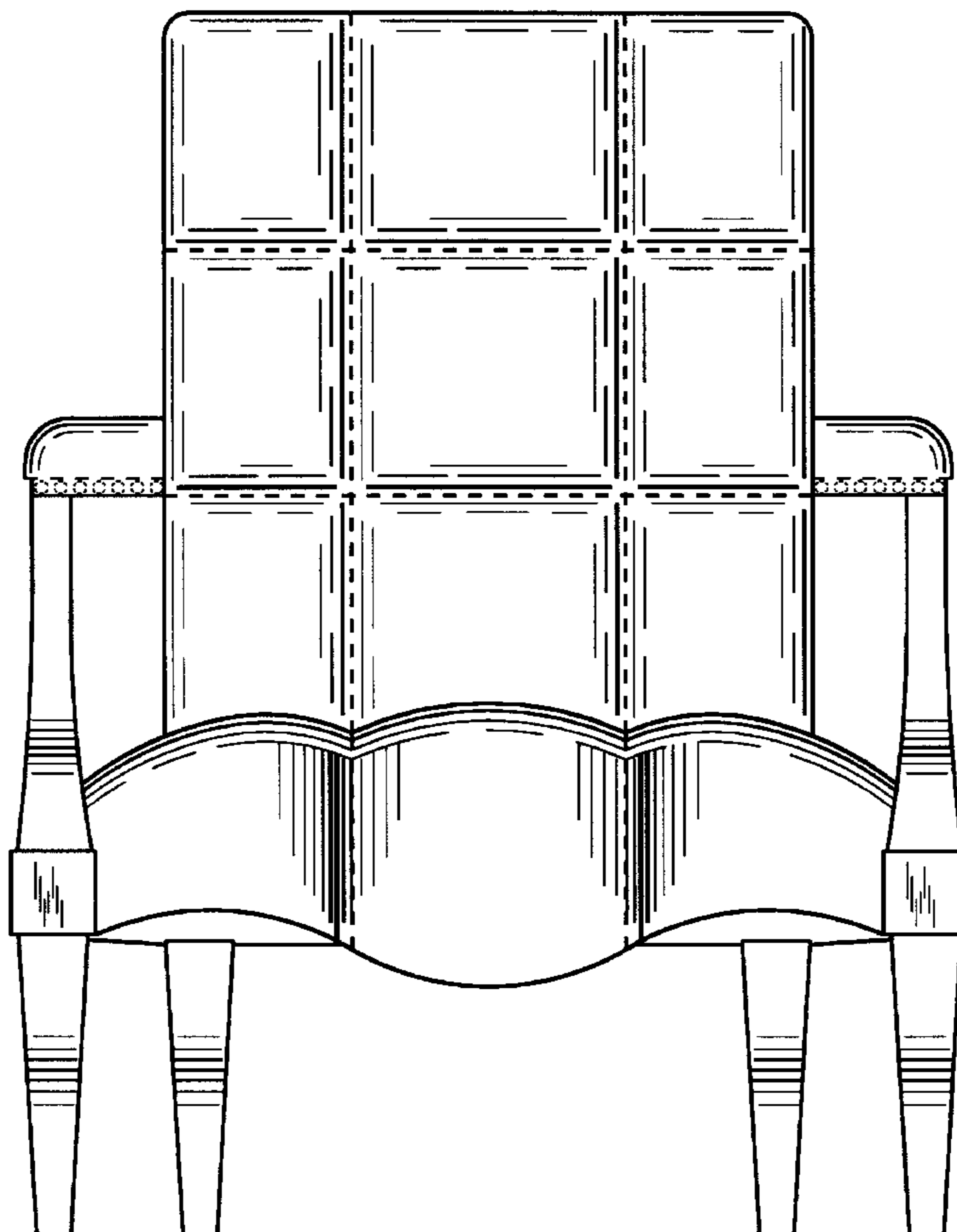
FIG. 2 is a top view thereof;

FIG. 3 is a side elevational view thereof, the opposite elevational view being a mirror image; and,

FIG. 4 is a back elevational view thereof.

The broken line showings of the stitching on the seat, the stitching on the backrest, and the stitching and nail heads along the bottoms of the armrests are for environmental purposes only and form no part of the claimed design.

1 Claim, 4 Drawing Sheets



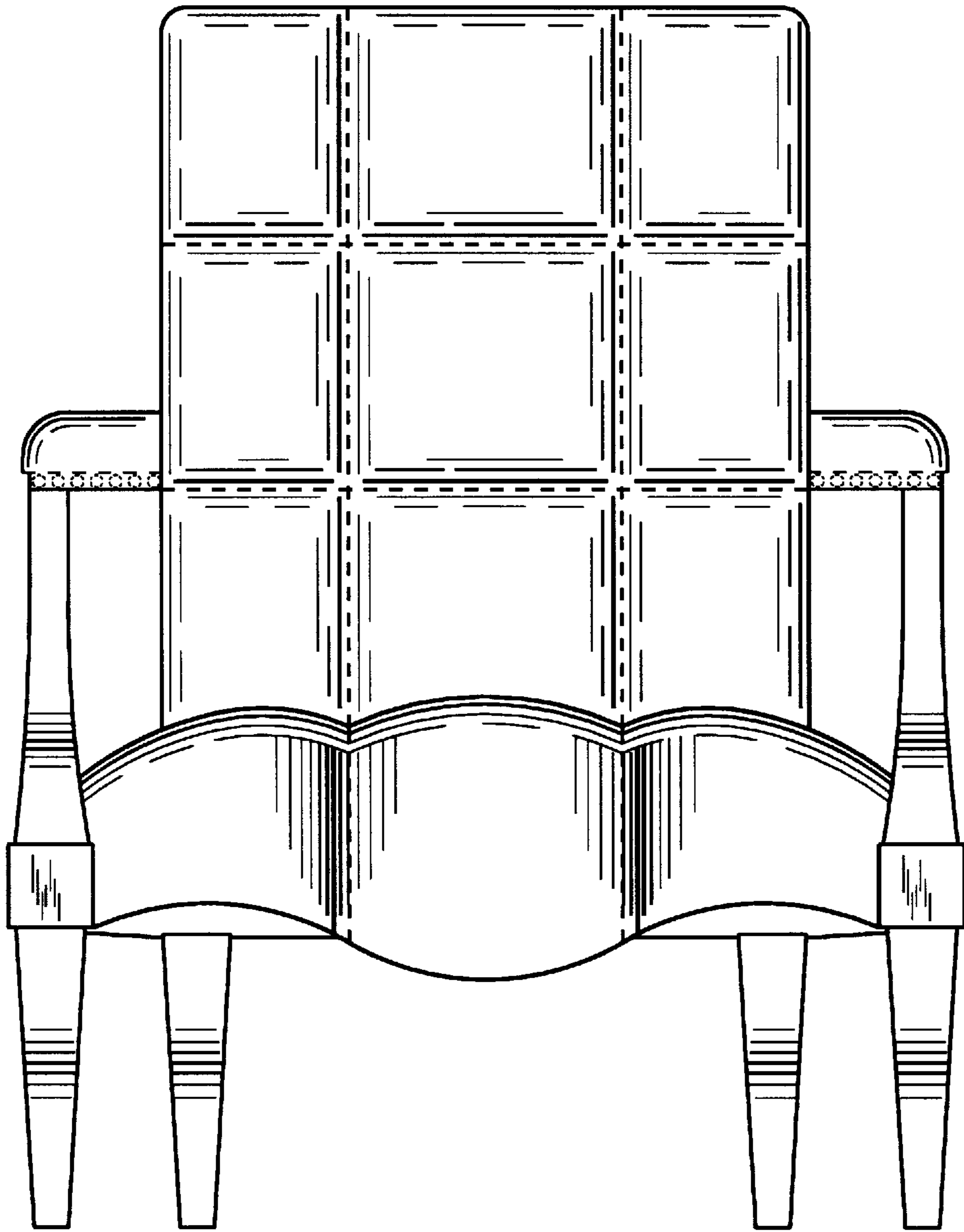


FIG. 1

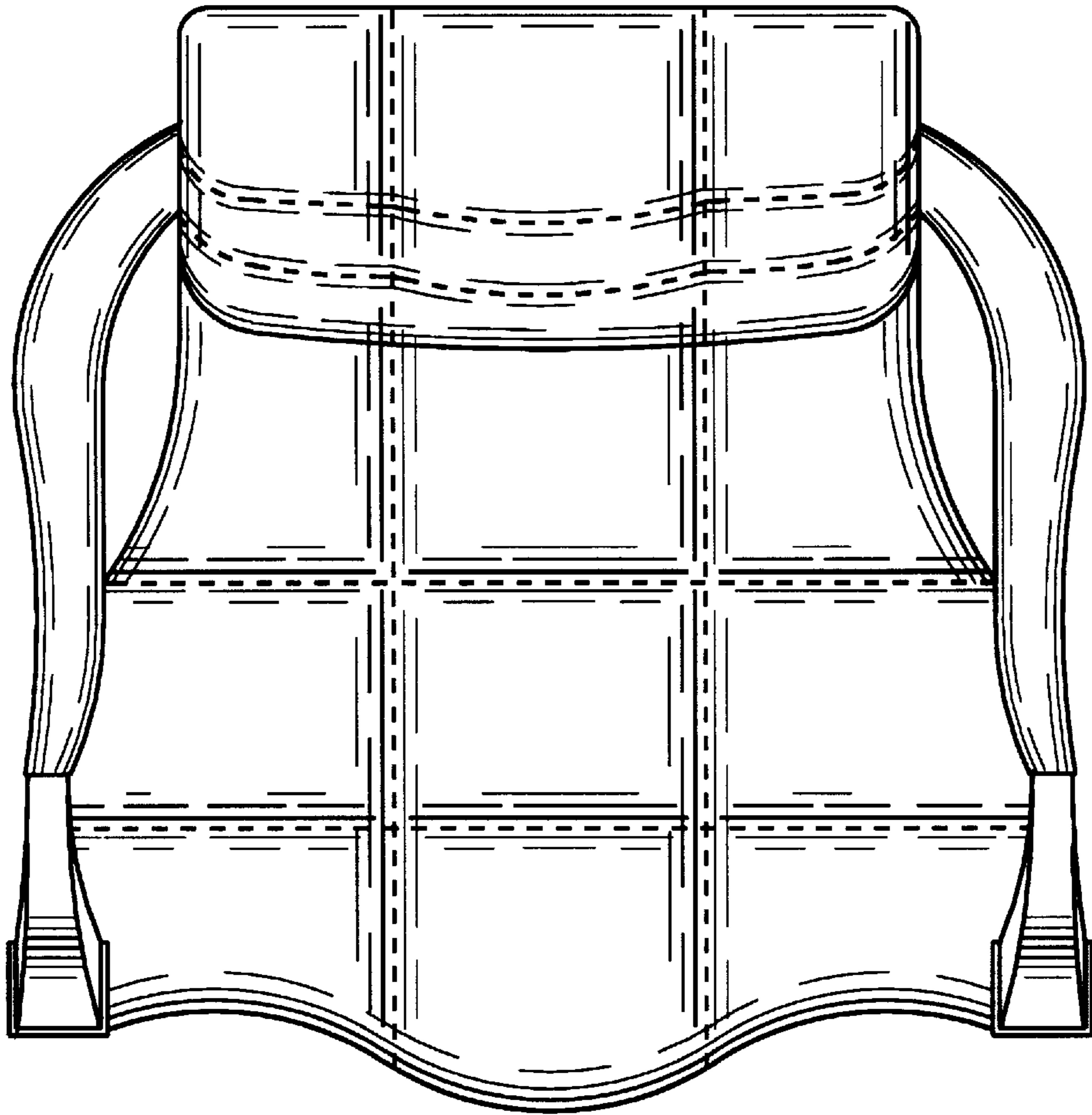


FIG. 2

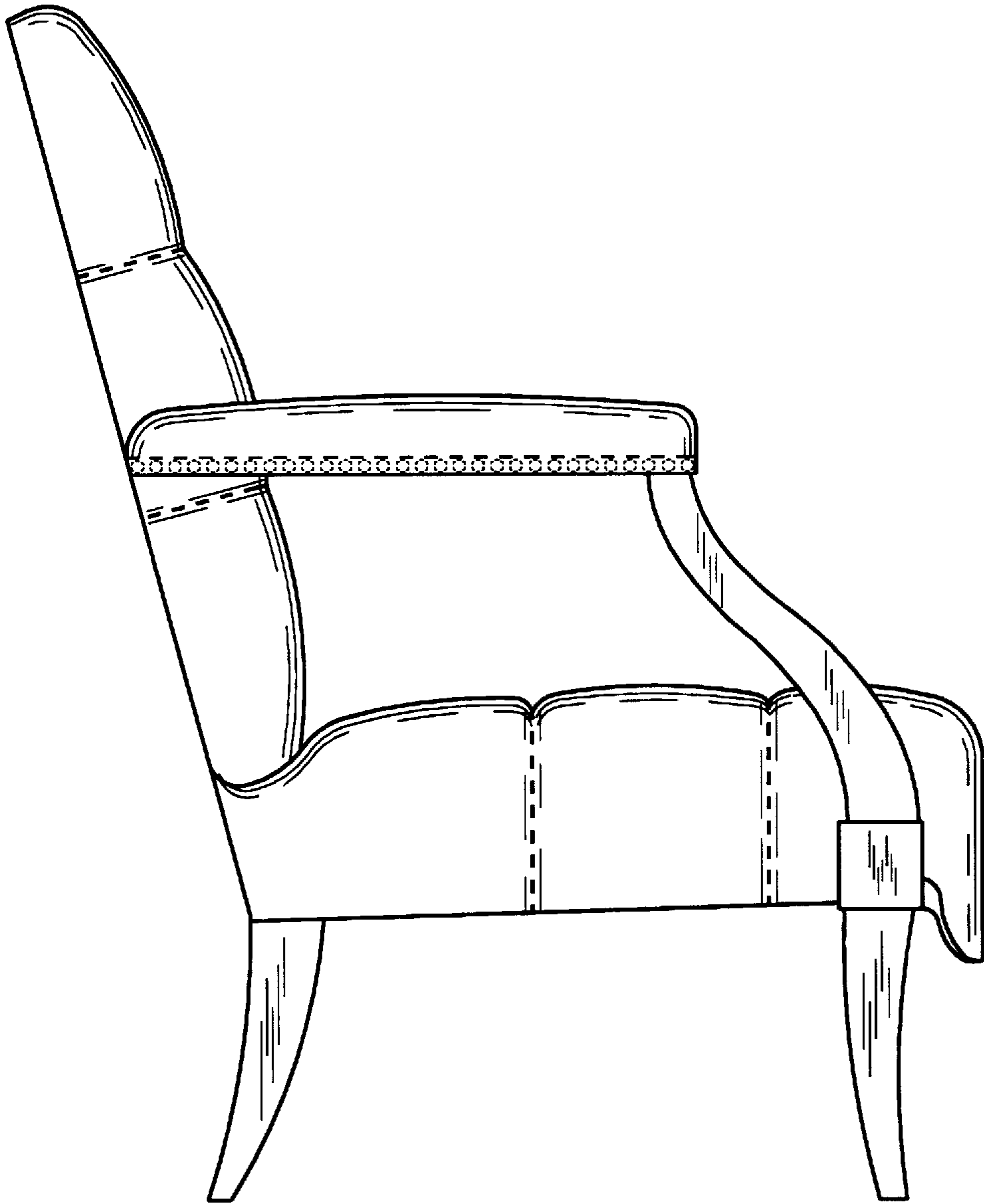


FIG. 3

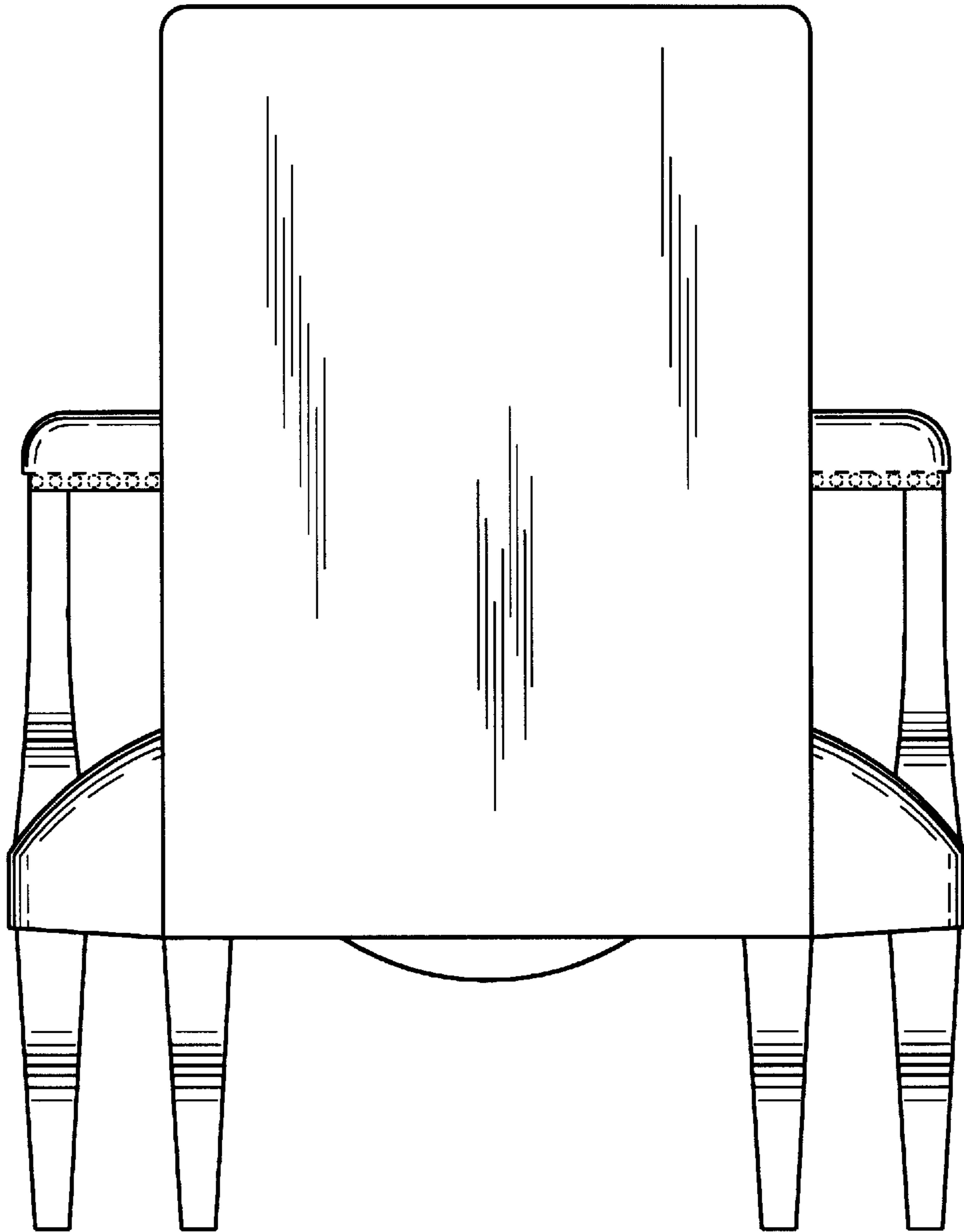


FIG. 4