



US00D400020S

# United States Patent [19] Tseng

[11] **Patent Number: Des. 400,020**

[45] **Date of Patent: \*\*Oct. 27, 1998**

[54] **CHAIR**

[75] Inventor: **Chuen-Jong Tseng**, Chiayi Hsien,  
Taiwan

[73] Assignee: **Shin Yen Enterprise Co., Ltd.**, Taipei,  
Taiwan

[\*\*] Term: **14 Years**

[21] Appl. No.: **76,004**

[22] Filed: **Aug. 28, 1997**

[51] **LOC (6) Cl.** ..... **06-01**

[52] **U.S. Cl.** ..... **D6/366**

[58] **Field of Search** ..... D6/334, 356, 364,  
D6/365, 366, 367, 379, 500, 501, 502;  
297/411.2

[56] **References Cited**

### U.S. PATENT DOCUMENTS

D. 259,000 4/1981 Vogtherr ..... D6/366

D. 275,430 9/1984 Ochsner ..... D6/366  
D. 288,387 2/1987 Ochsner ..... D6/366  
D. 288,389 2/1987 Ochsner ..... D6/366  
D. 369,488 5/1996 McDiarmid ..... D6/502  
D. 371,264 7/1996 McDiarmid ..... D6/502

*Primary Examiner*—Gary D. Watson  
*Attorney, Agent, or Firm*—Ladas & Parry

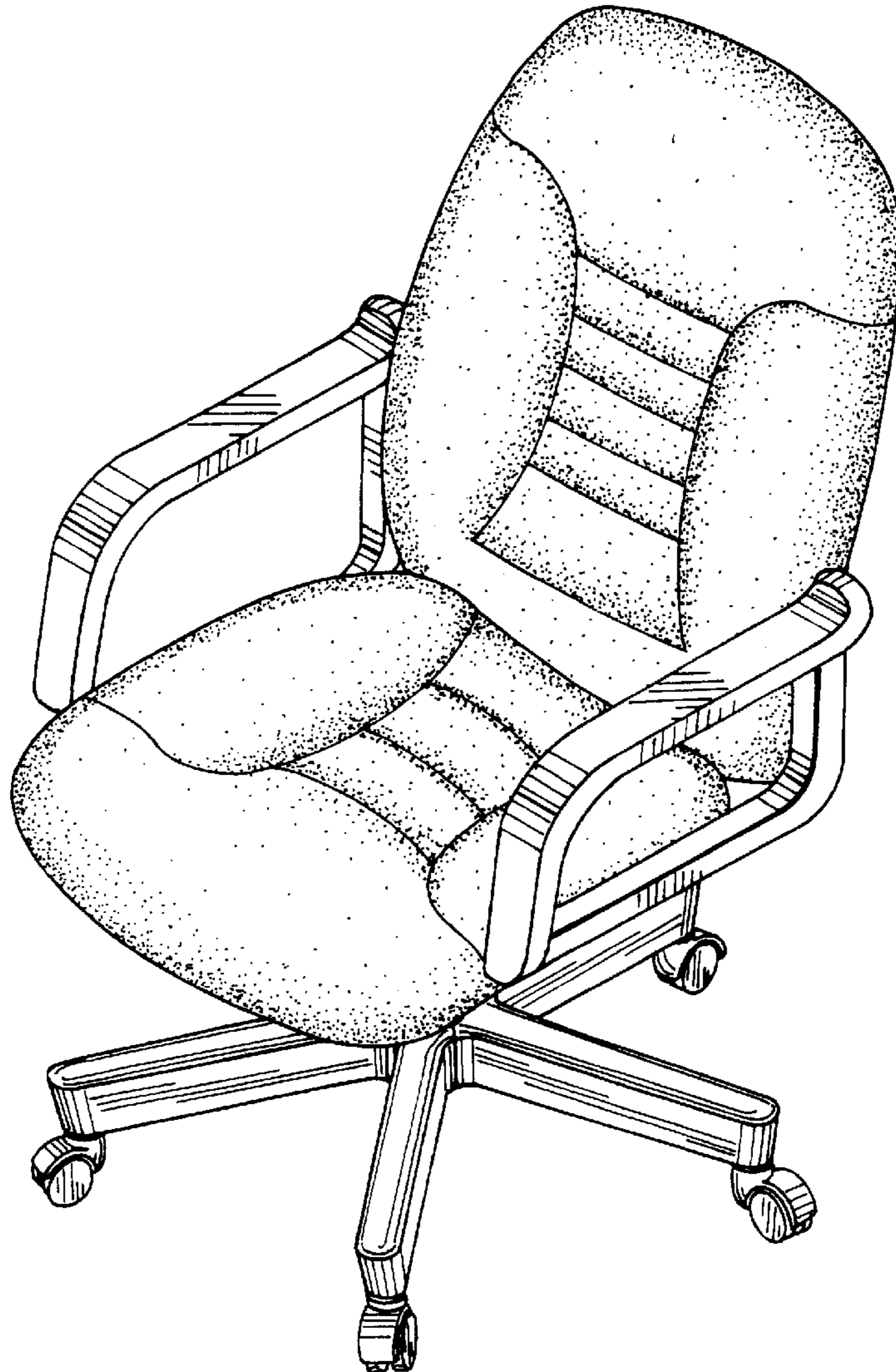
[57] **CLAIM**

The ornamental design for a chair, as shown and described.

### DESCRIPTION

FIG. 1 is a perspective view of chair showing my new design;  
FIG. 2 is a front elevational view thereof;  
FIG. 3 is a rear elevational view thereof;  
FIG. 4 is a left side elevational view thereof;  
FIG. 5 is a right side elevational view thereof;  
FIG. 6 is a top plan view thereof; and,  
FIG. 7 is a bottom plan view thereof.

**1 Claim, 4 Drawing Sheets**



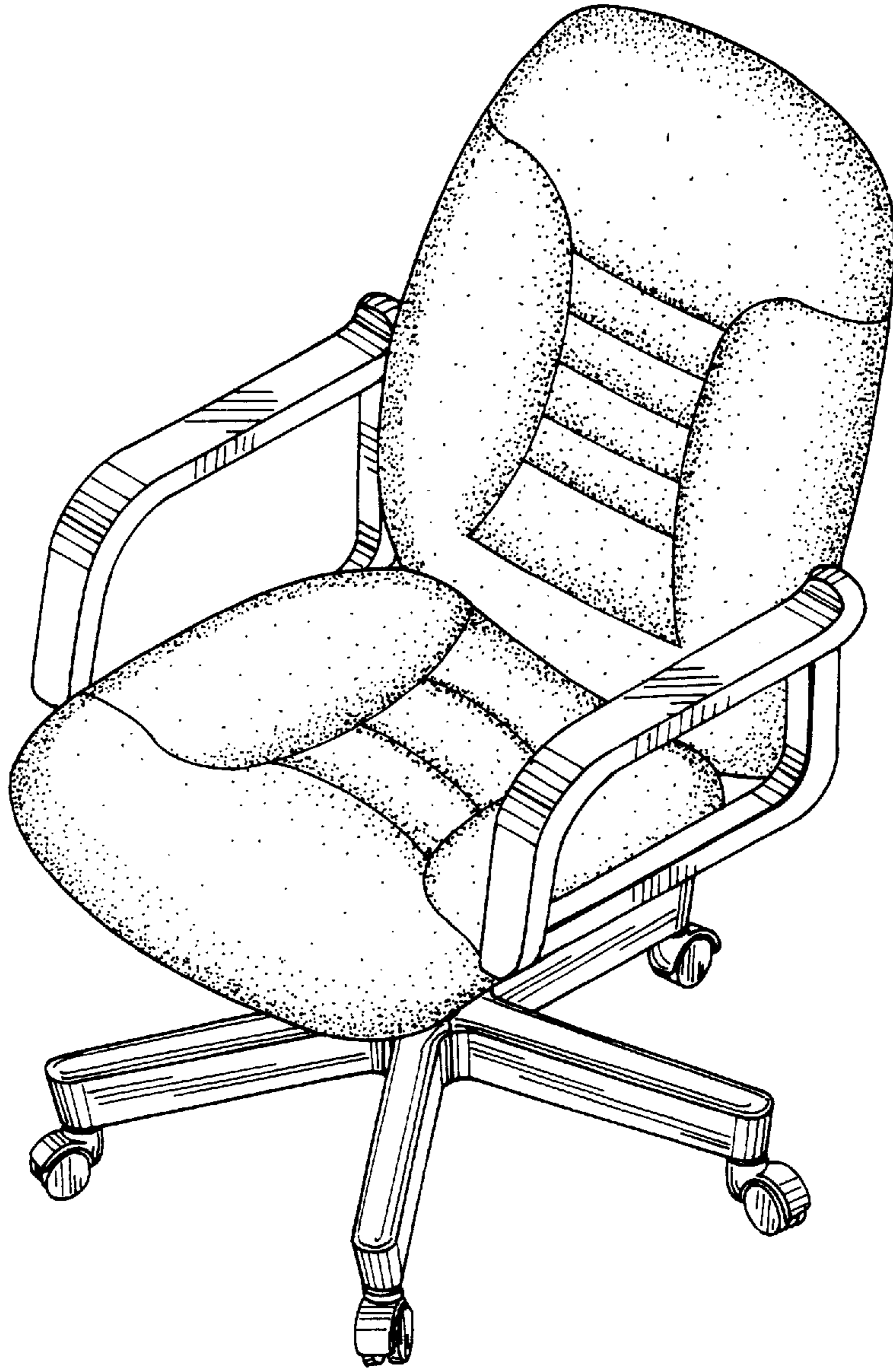


FIG. 1

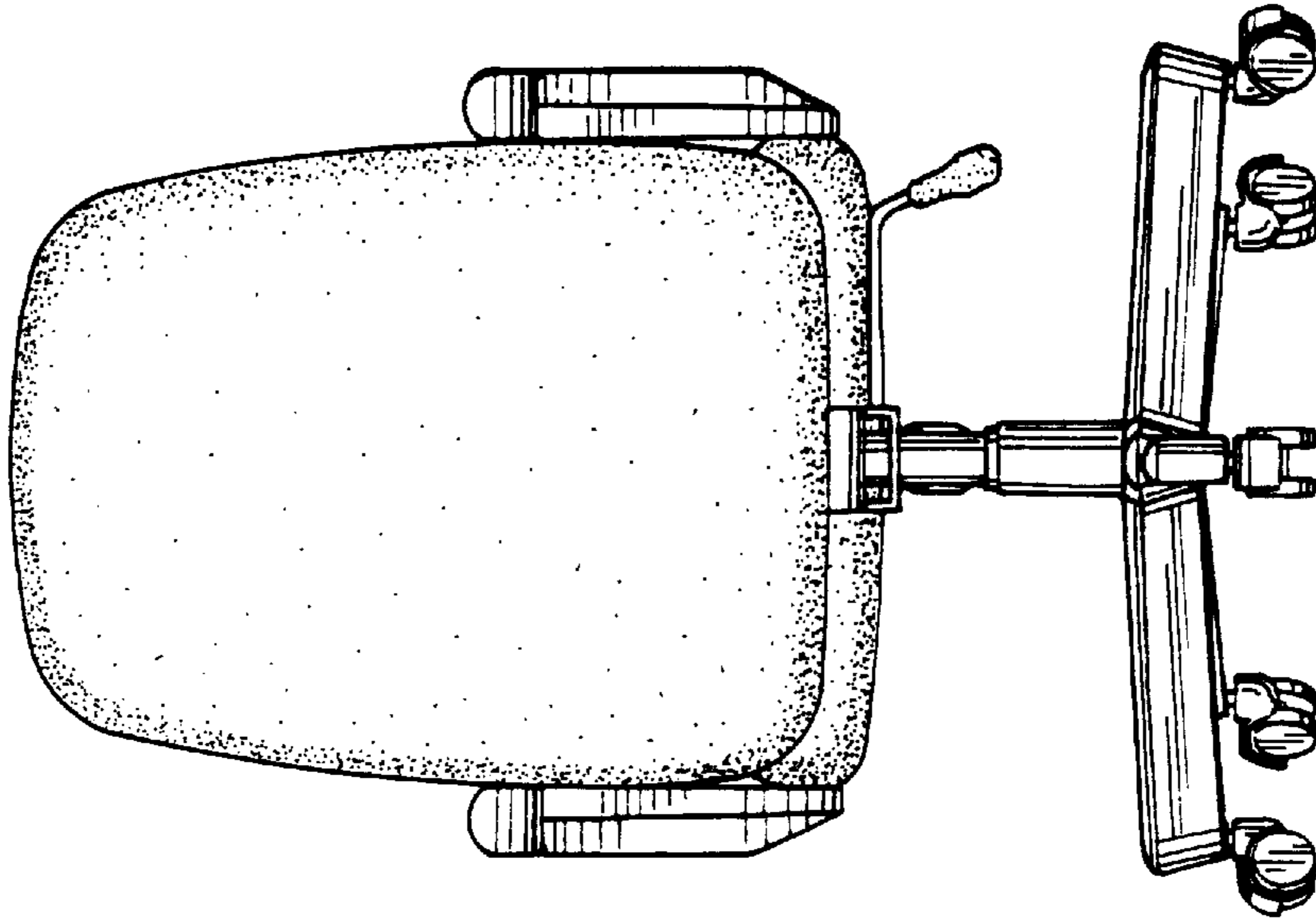


FIG. 2

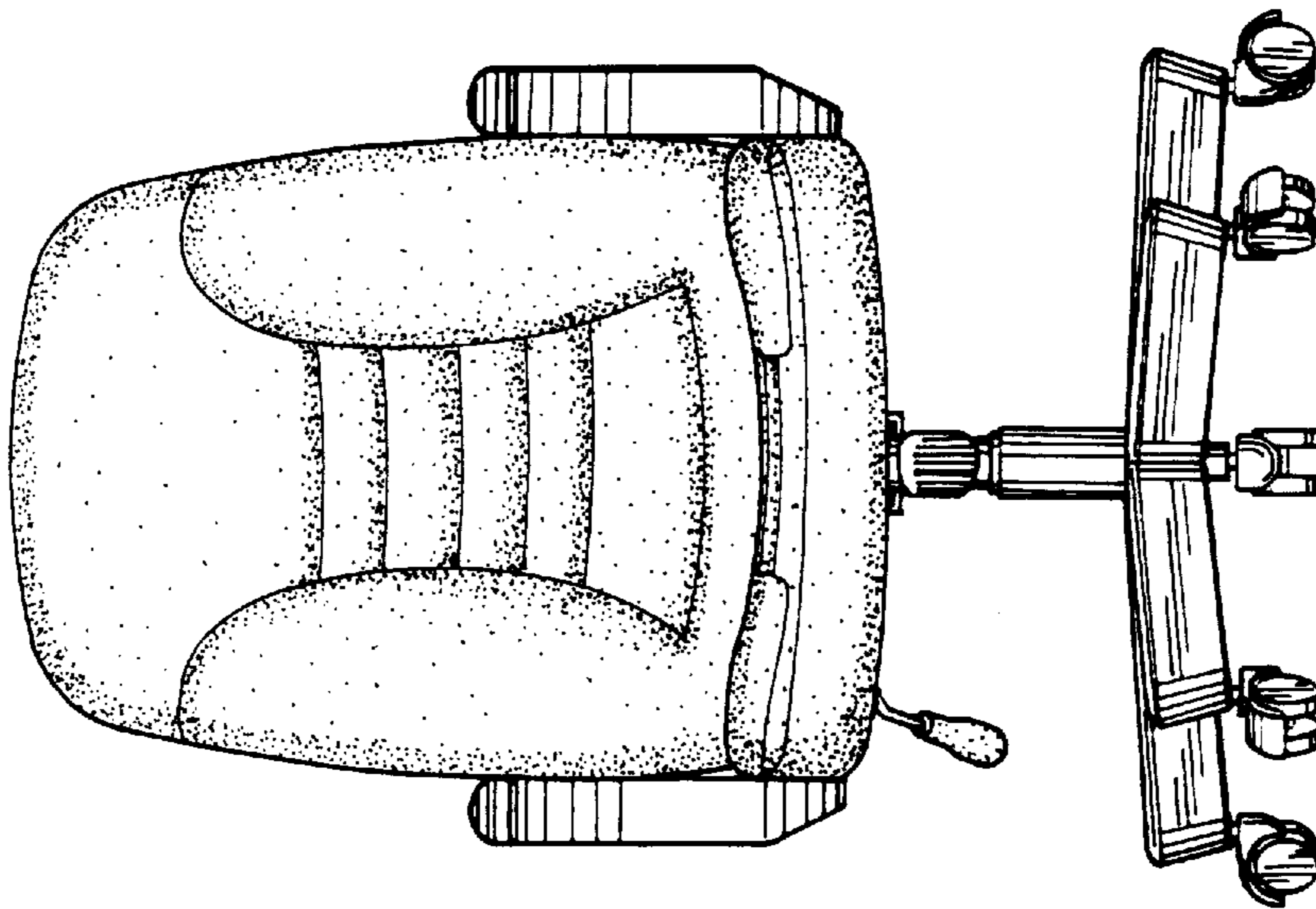


FIG. 3

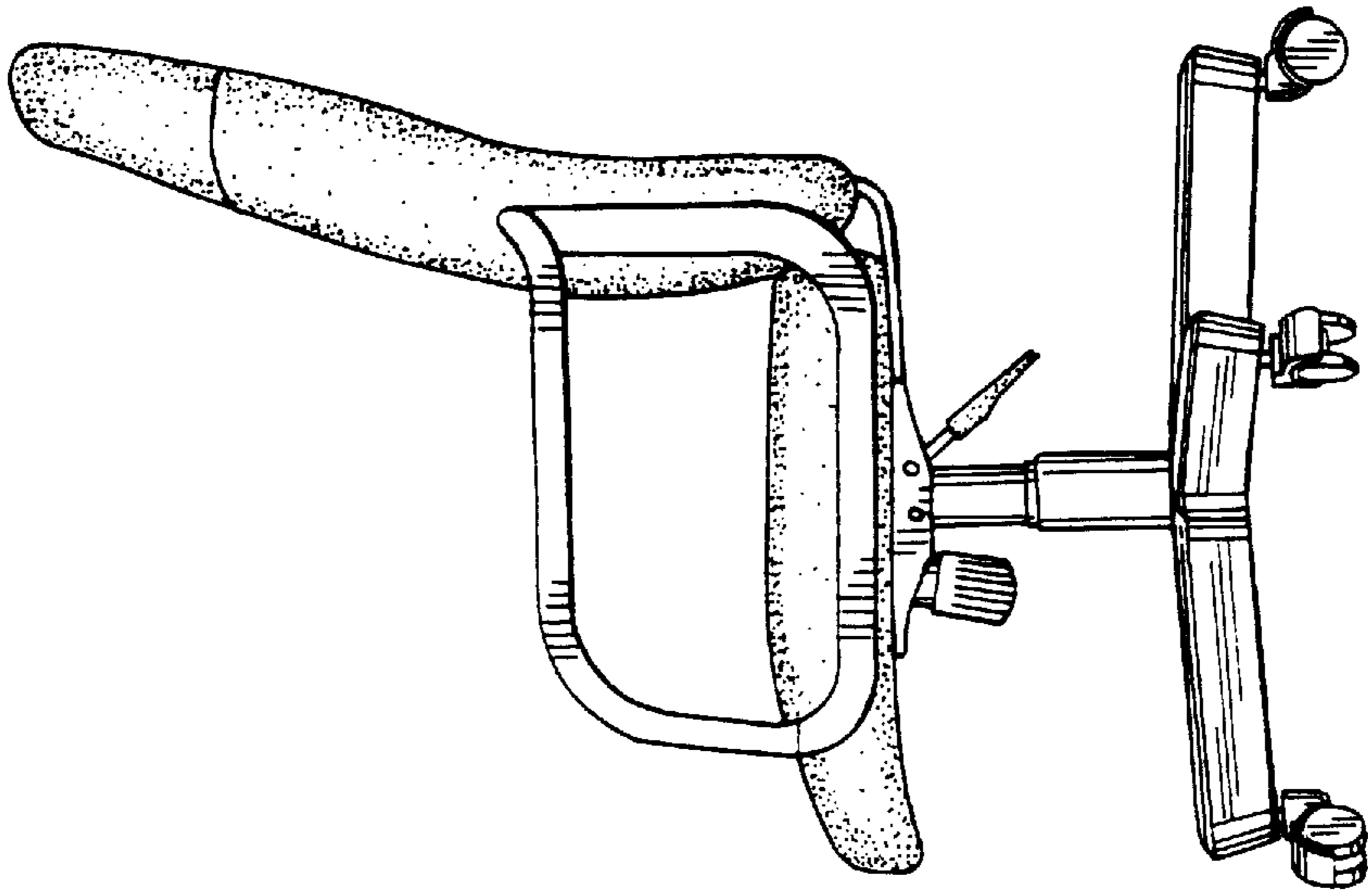


FIG.5

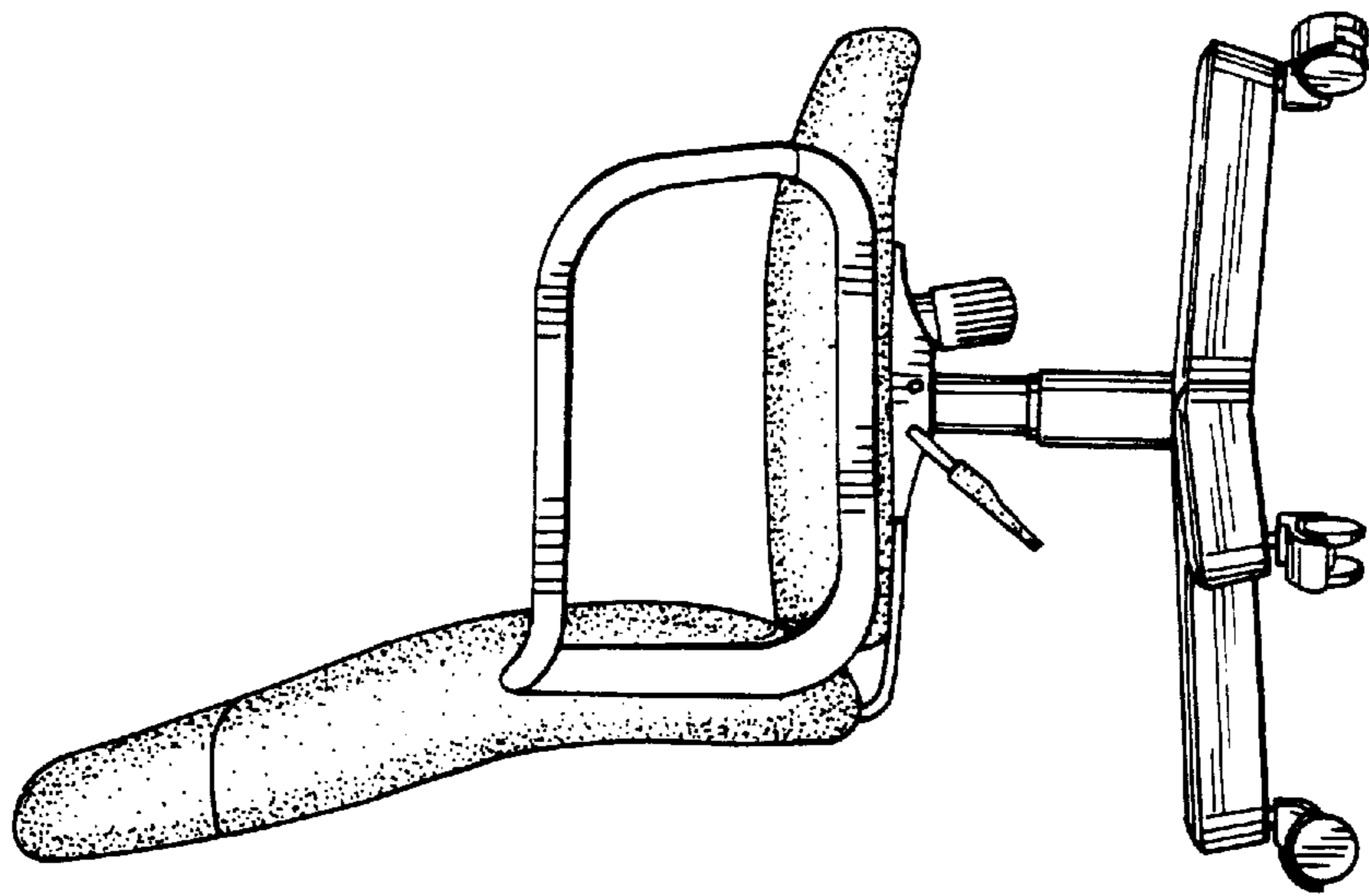


FIG.4



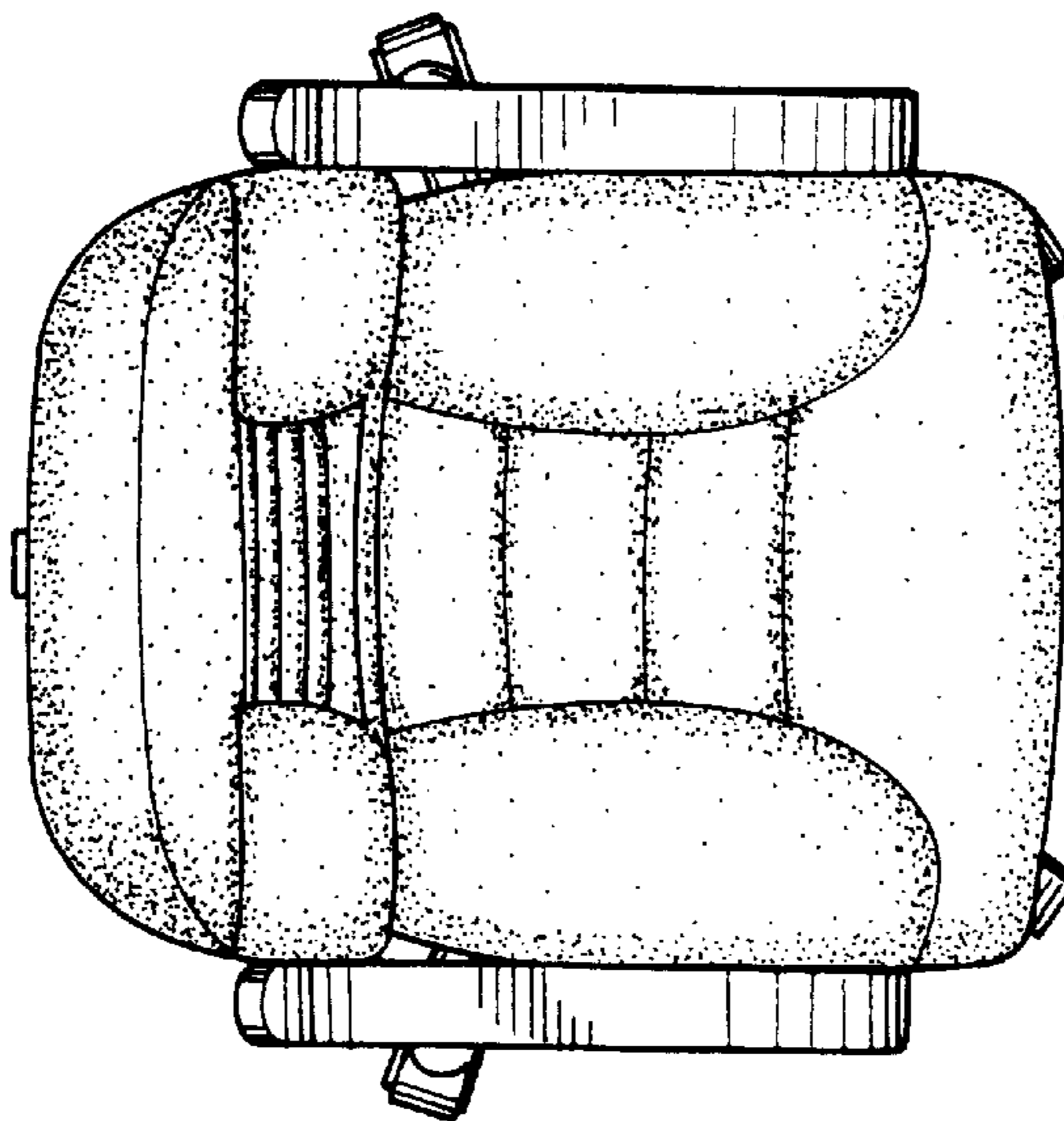


FIG. 6

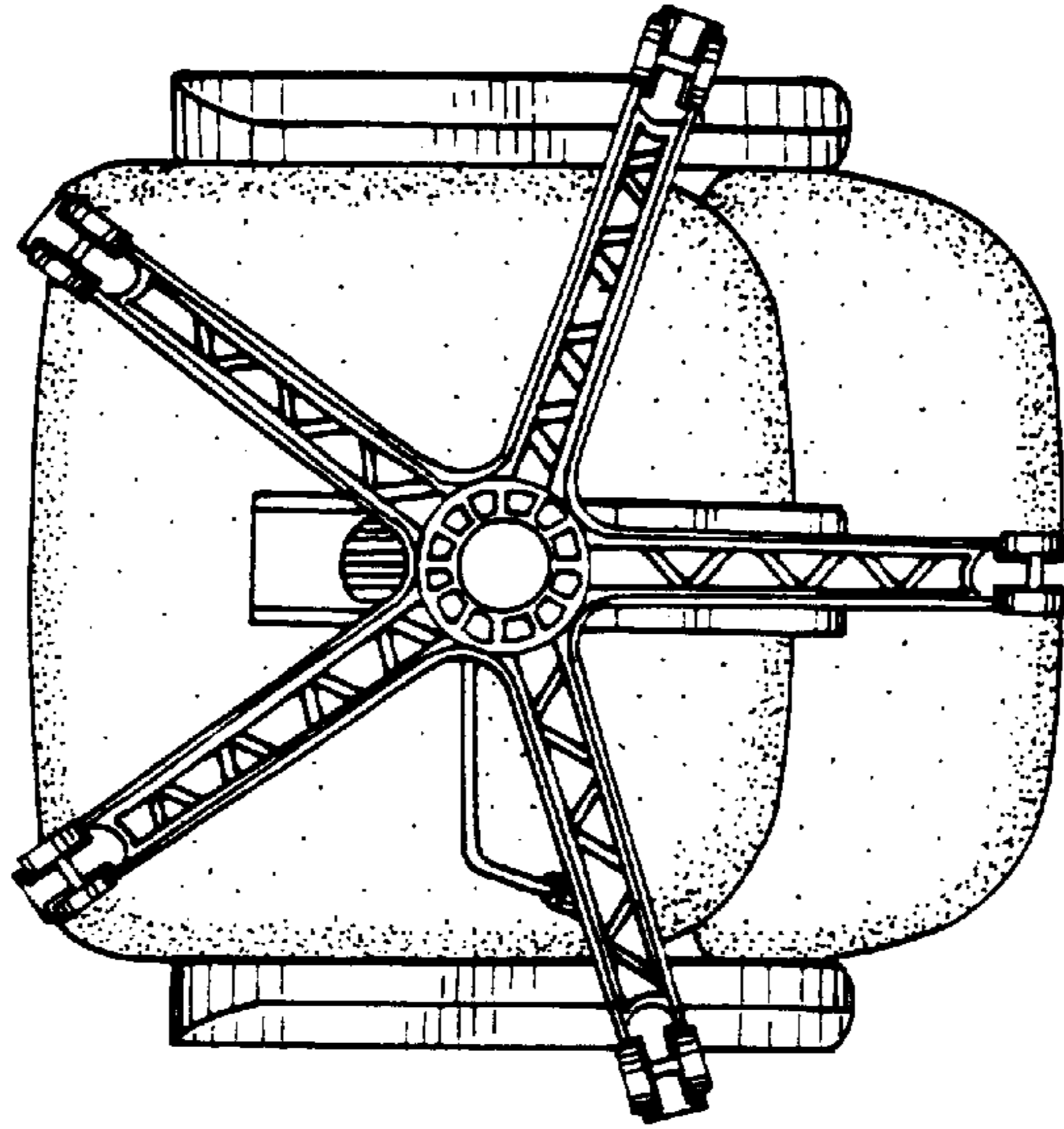


FIG. 7