



US00D400019S

United States Patent [19]
Tseng

[11] **Patent Number: Des. 400,019**

[45] **Date of Patent: **Oct. 27, 1998**

[54] **CHAIR**

[75] Inventor: **Chuen-Jong Tseng**, Chiayi Hsien,
Taiwan

[73] Assignee: **Shin Yen Enterprise Co., Ltd.**, Taipei,
Taiwan

[**] Term: **14 Years**

[21] Appl. No.: **75,945**

[22] Filed: **Aug. 28, 1997**

[51] **LOC (6) Cl.** **06-01**

[52] **U.S. Cl.** **D6/366**

[58] **Field of Search** D6/334, 356, 364,
D6/365, 366, 367, 379, 500, 501, 502;
297/411.2

[56] **References Cited**

U.S. PATENT DOCUMENTS

D. 275,430 9/1984 Ochsner D6/366

D. 288,387 2/1987 Ochsner D6/366
D. 288,389 2/1987 Ochsner D6/366
D. 339,489 9/1993 Patterson et al. D6/502
D. 371,264 7/1996 McDiarmid D6/502

Primary Examiner—Gary D. Watson
Attorney, Agent, or Firm—Ladas & Parry

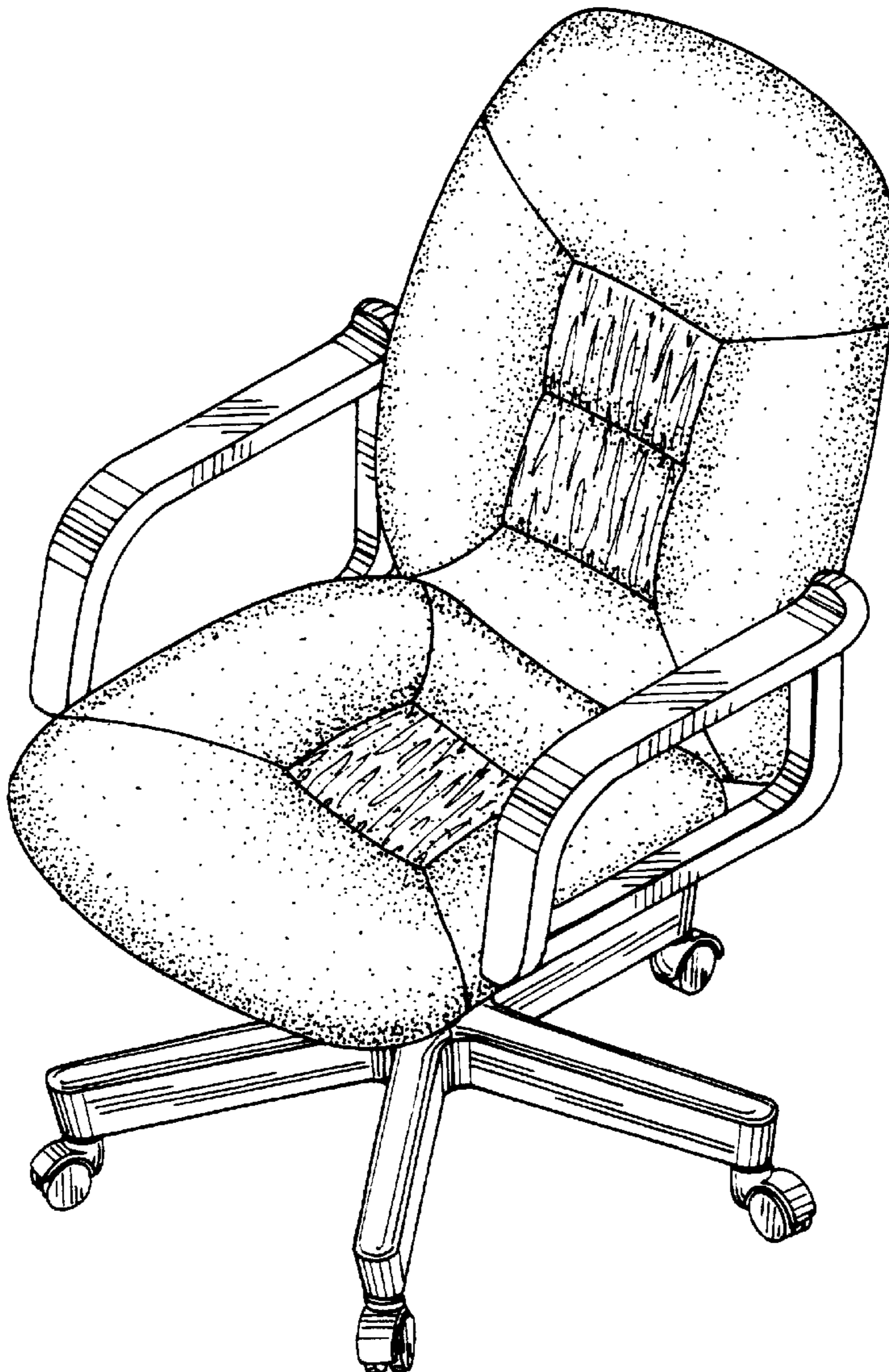
[57] **CLAIM**

The ornamental design for a chair, as shown and described.

DESCRIPTION

FIG. 1 is a perspective view of chair showing my new design;
FIG. 2 is a front elevational view thereof;
FIG. 3 is a rear elevational view thereof;
FIG. 4 is a left side elevational view thereof;
FIG. 5 is a right side elevational view thereof;
FIG. 6 is a top plan view thereof; and,
FIG. 7 is a bottom plan view thereof.

1 Claim, 4 Drawing Sheets



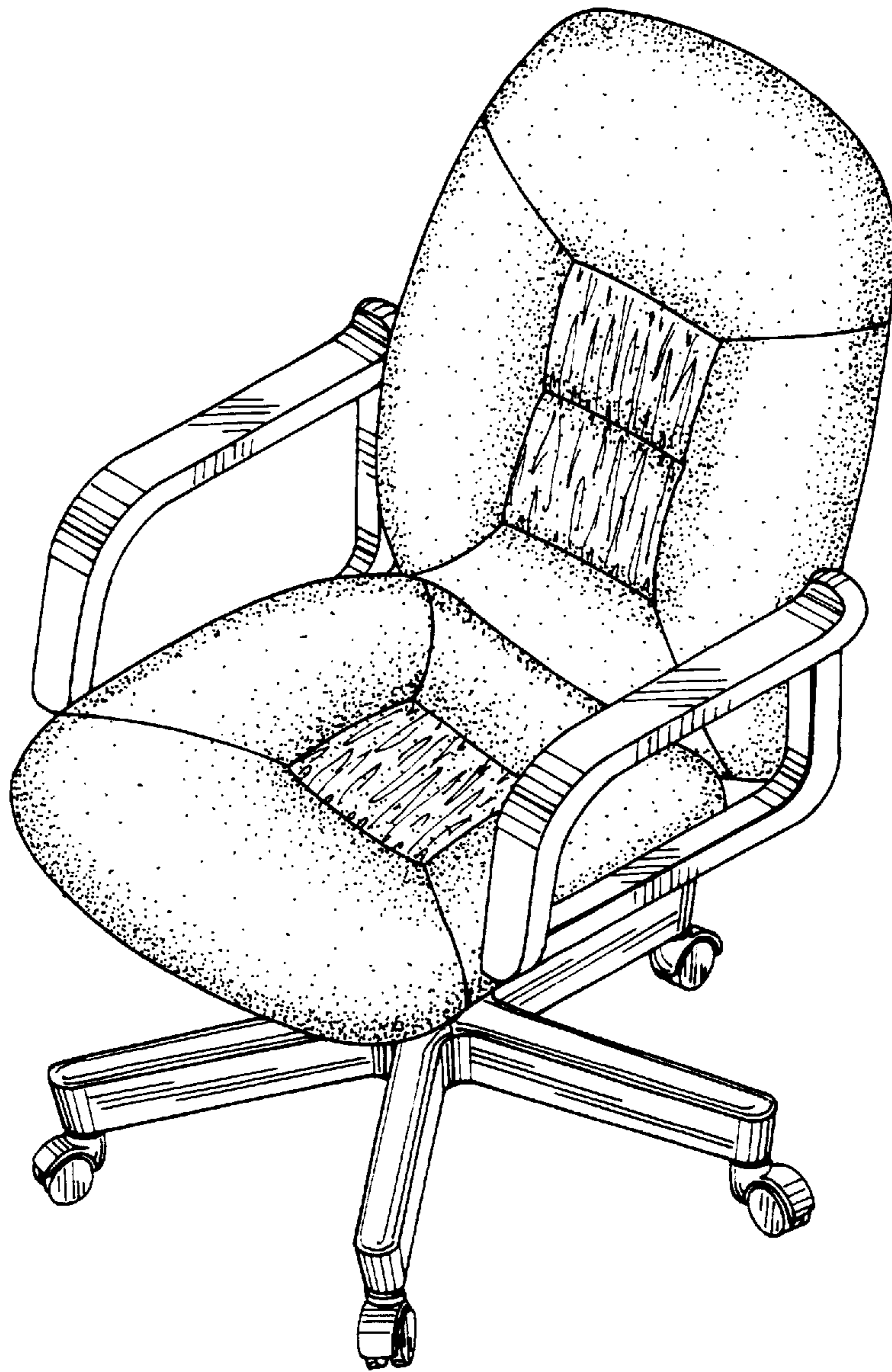


FIG. 1

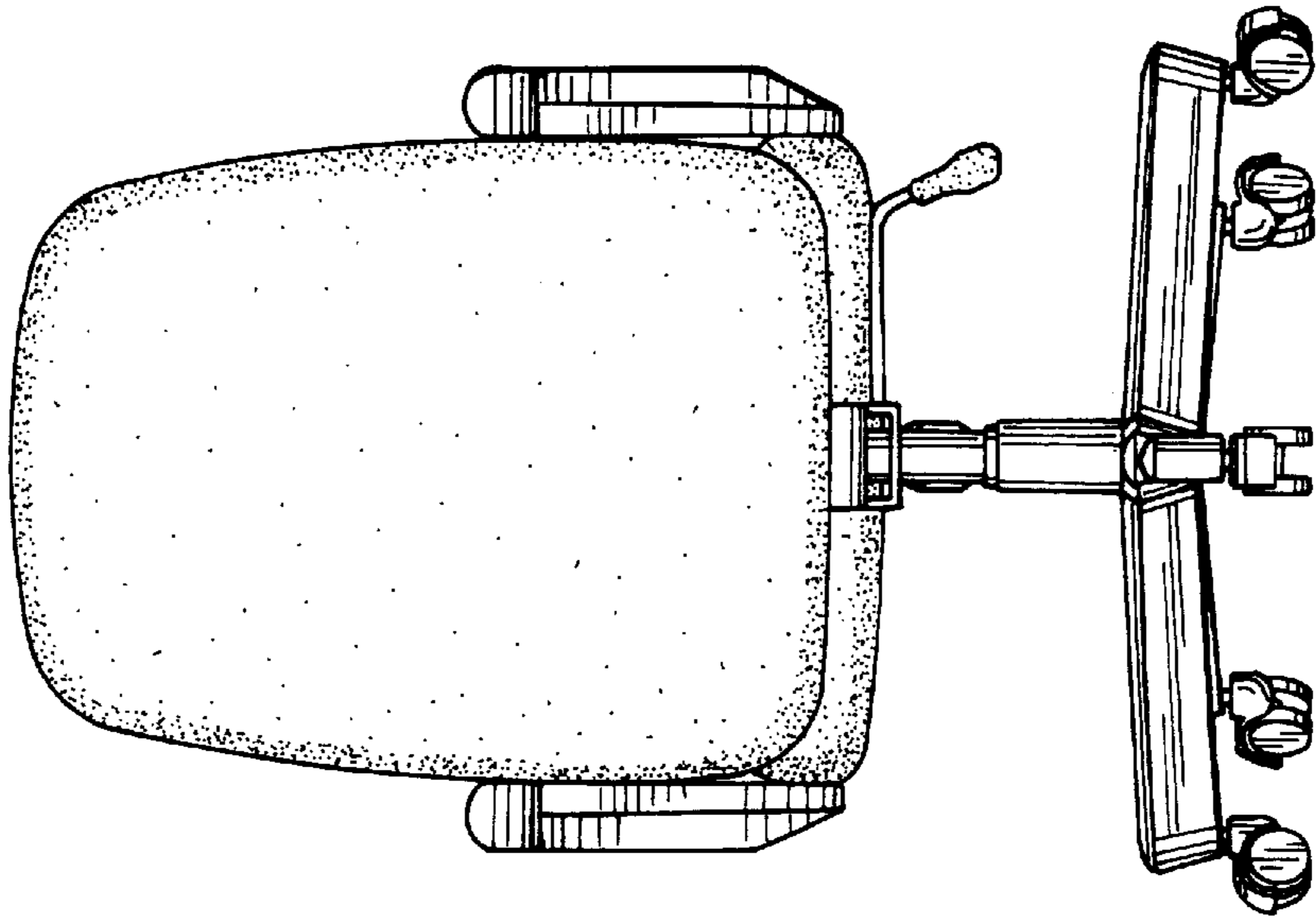


FIG. 2

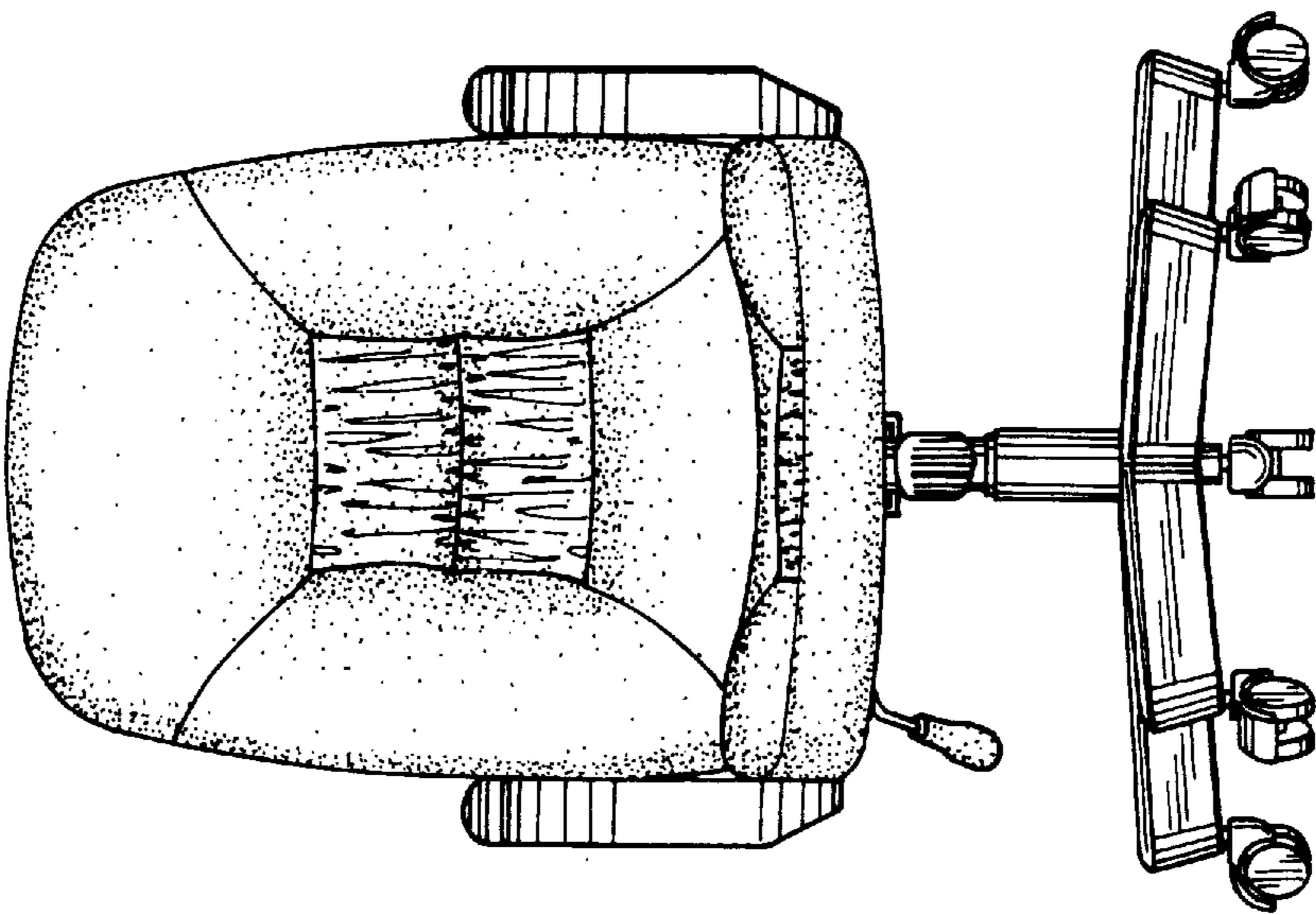


FIG. 3

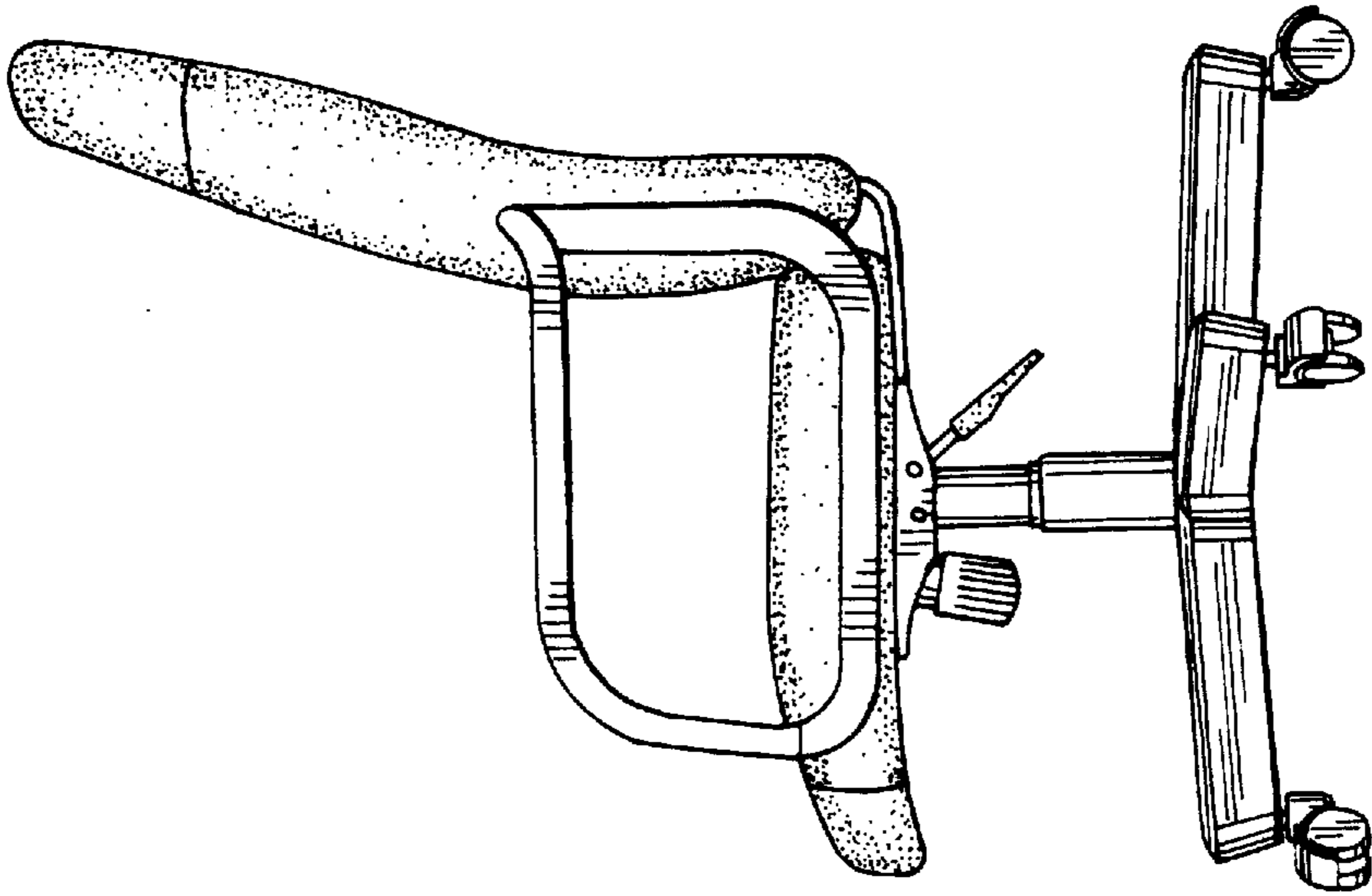


FIG. 5

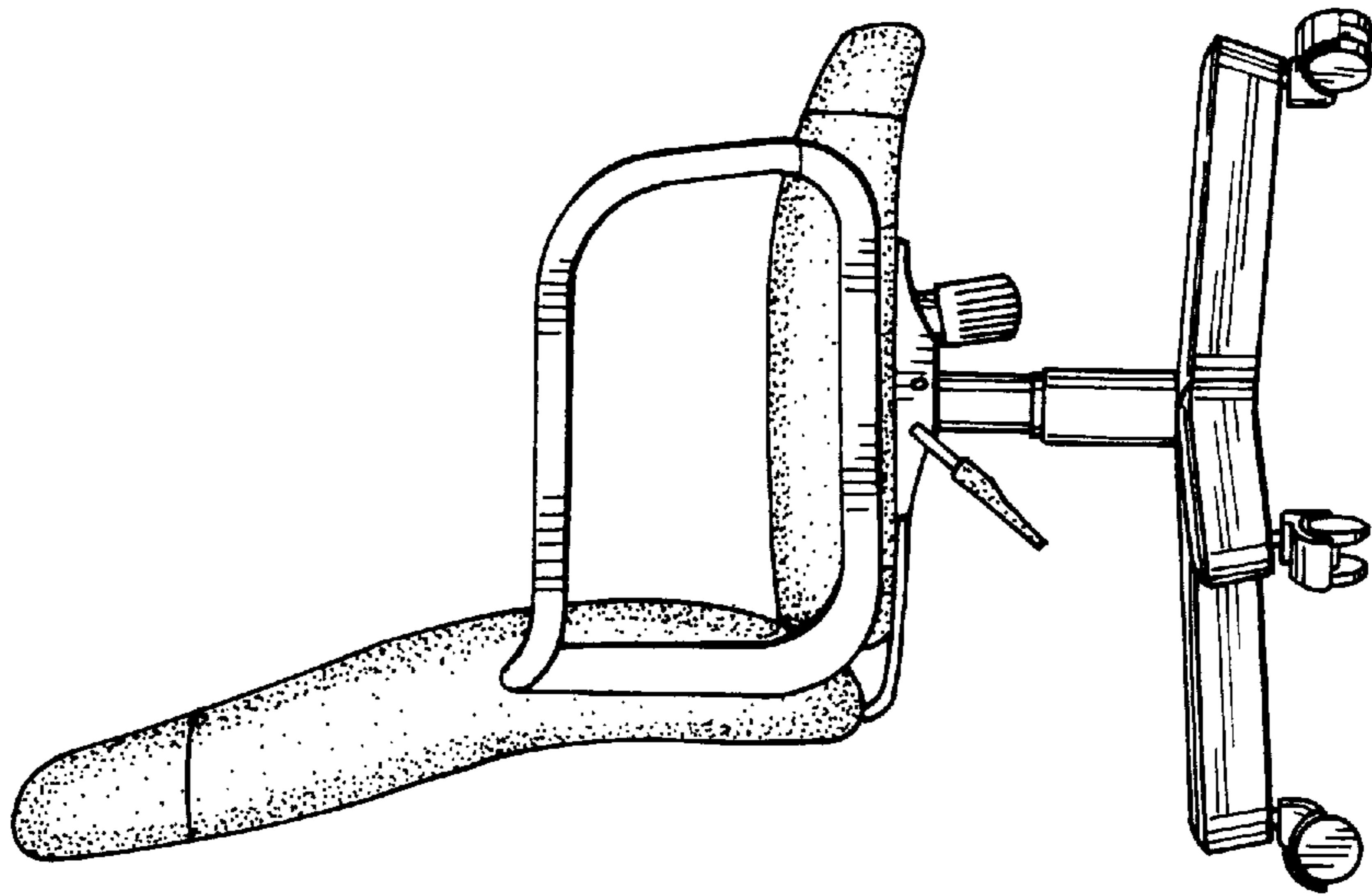


FIG. 4

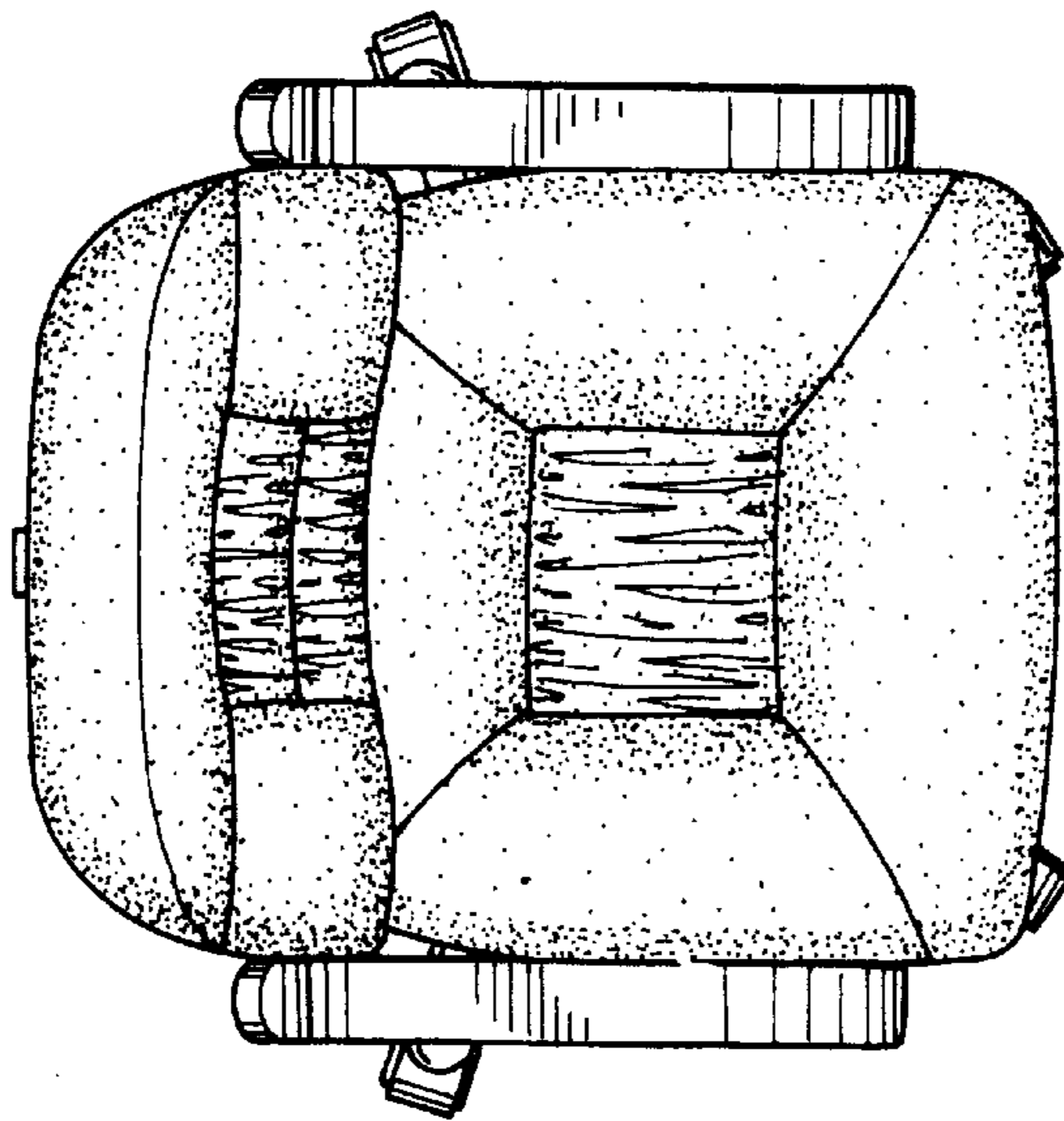


FIG. 6

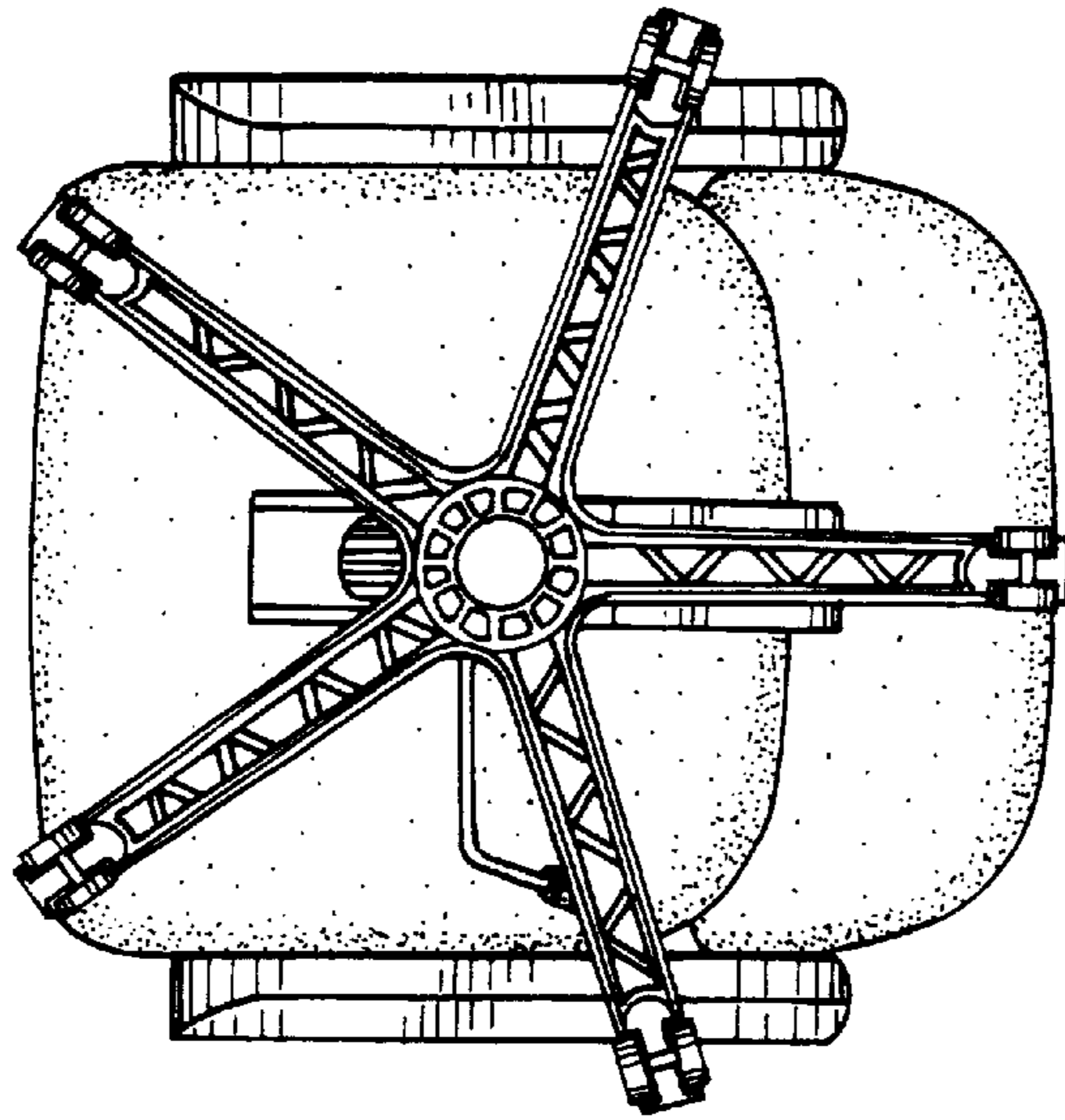


FIG. 7