



US00D400016S

United States Patent [19] Silva

[11] **Patent Number: Des. 400,016**

[45] **Date of Patent: **Oct. 27, 1998**

[54] **DINING SIDE CHAIR**

OTHER PUBLICATIONS

[75] Inventor: **Don Silva**, Emeryville, Calif.

Bloomington's, p. 6, Side Chair in foreground of top frame, Jan. 6, 1983.

[73] Assignee: **National Upholstering Company**, Oakland, Calif.

Thomasville Leather, p. 37, Side Chair #463C21Z at bottom left, Feb. 1989.

[**] Term: **14 Years**

Primary Examiner—Gary D. Watson
Attorney, Agent, or Firm—Thomas R. Lampe

[21] Appl. No.: **78,826**

[57] **CLAIM**

[22] Filed: **Nov. 4, 1997**

The ornamental design for a dining side chair, as shown and described.

[51] **LOC (6) Cl.** **06-01**

[52] **U.S. Cl.** **D6/334**

[58] **Field of Search** D6/334, 369, 371,
D6/373, 374, 379, 500, 501, 502; 297/445.1,
446.1

DESCRIPTION

[56] **References Cited**

U.S. PATENT DOCUMENTS

D. 196,576	10/1963	Ritts	D6/334
D. 254,945	5/1980	Worrell	D6/334
D. 261,580	11/1981	Aulenti	D6/334
D. 328,396	8/1992	Murry	D6/334 X

FIG. 1 is a perspective view of a dining side chair showing my design;

FIG. 2 is a front elevation view thereof;

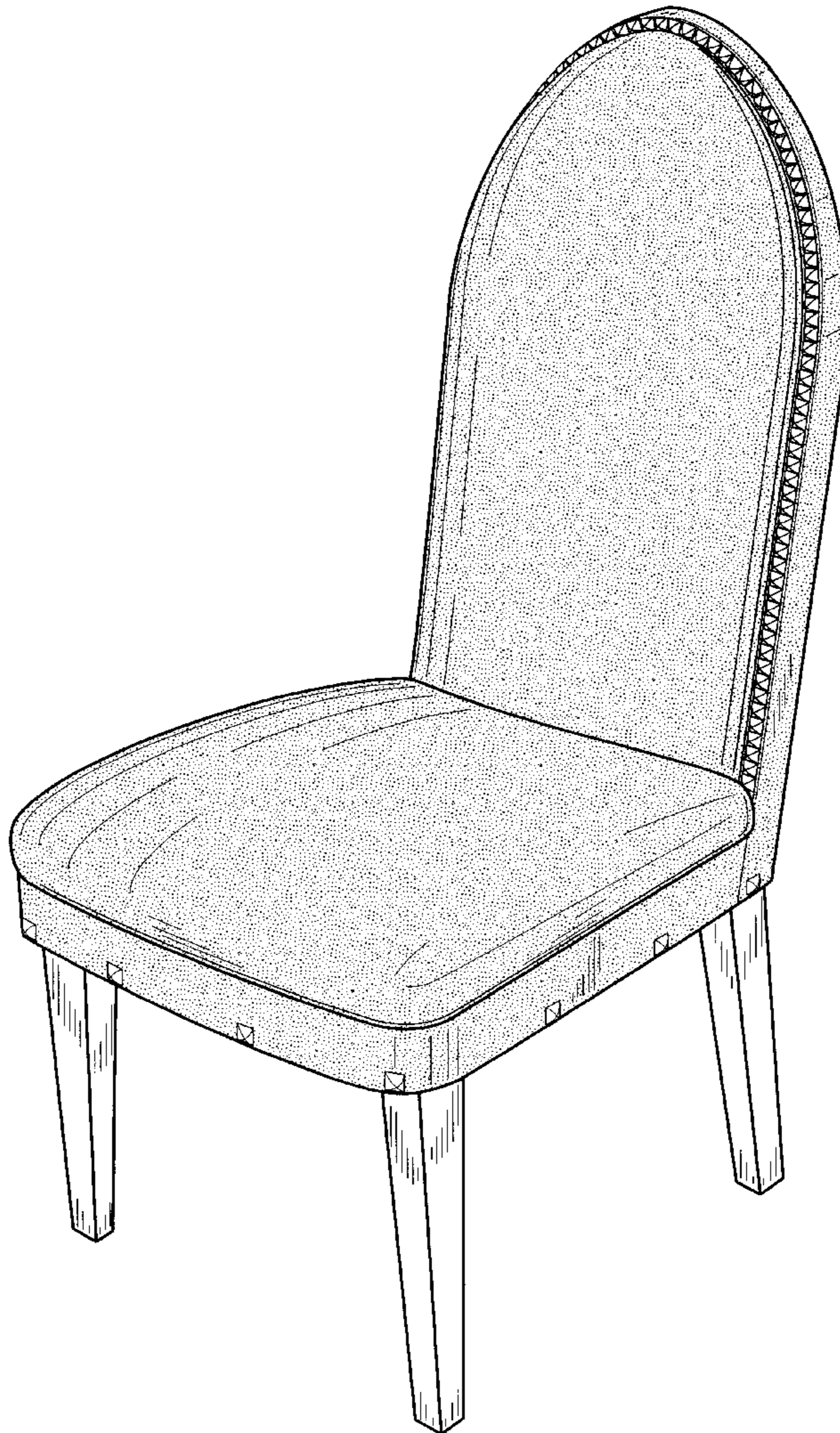
FIG. 3 is a right elevation side view thereof, the left elevation side view being a mirror image;

FIG. 4 is a back elevation view thereof;

FIG. 5 is a top plan view thereof; and,

FIG. 6 is a bottom plan view thereof.

1 Claim, 6 Drawing Sheets



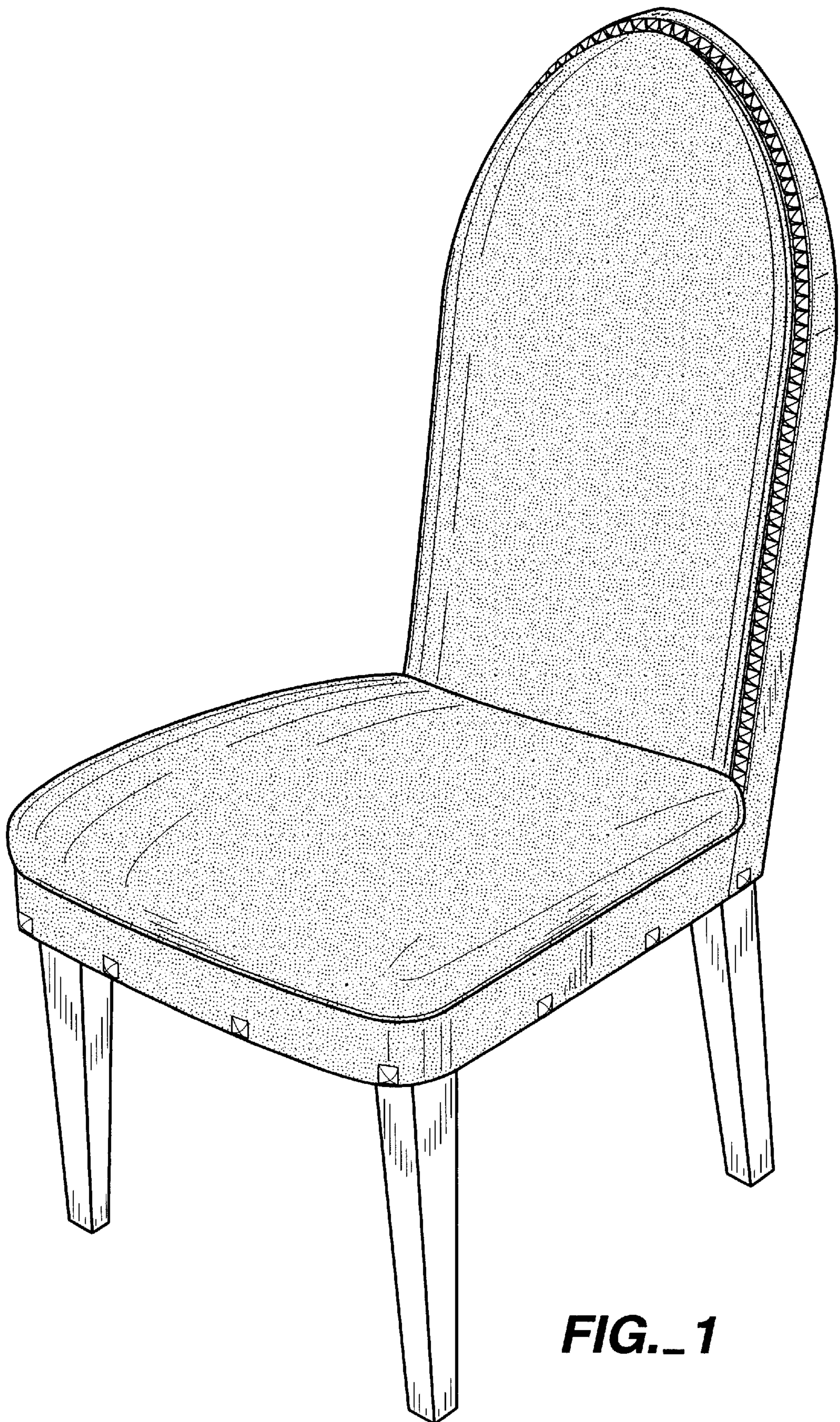


FIG. 1

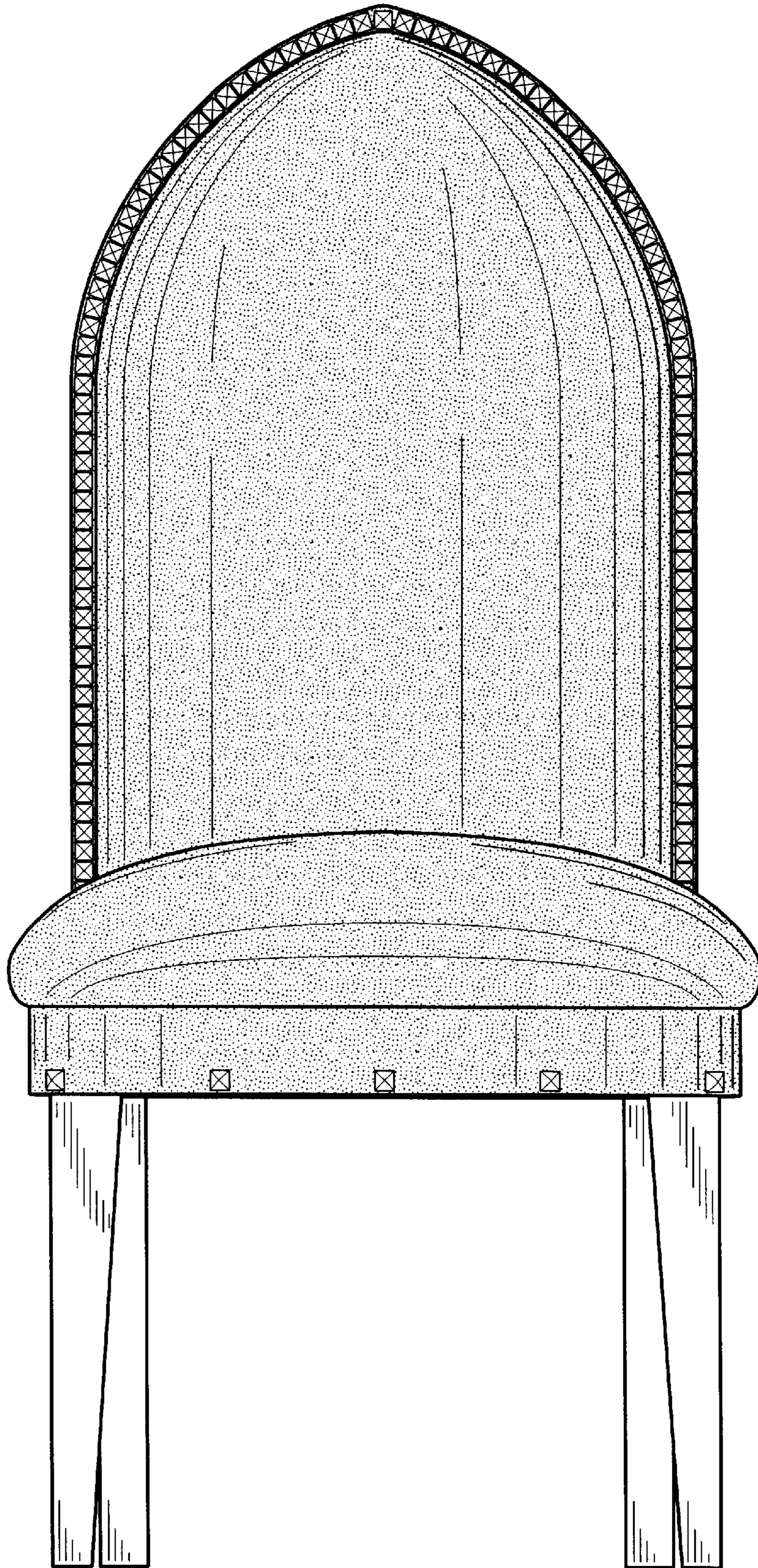


FIG. 2

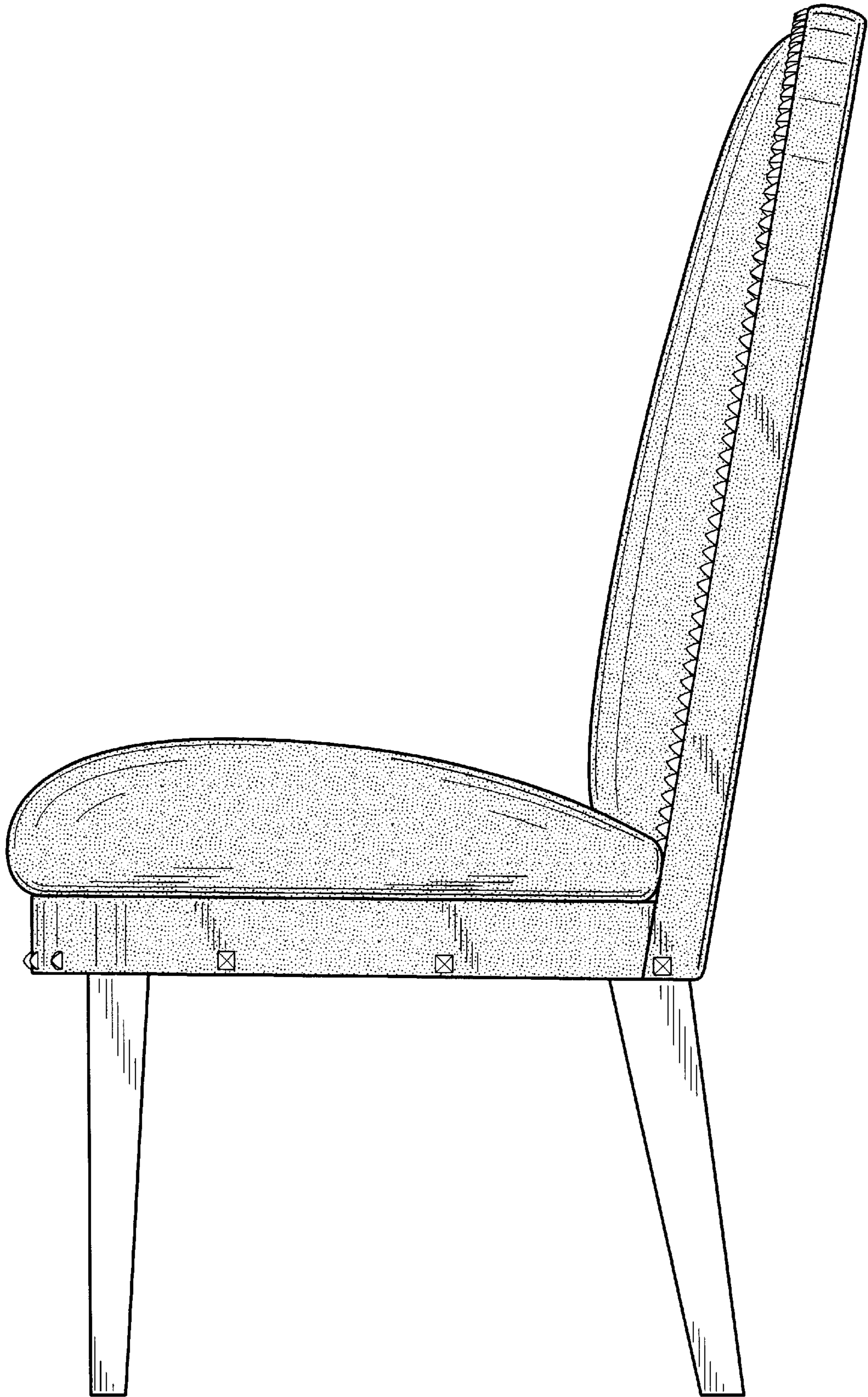


FIG._3

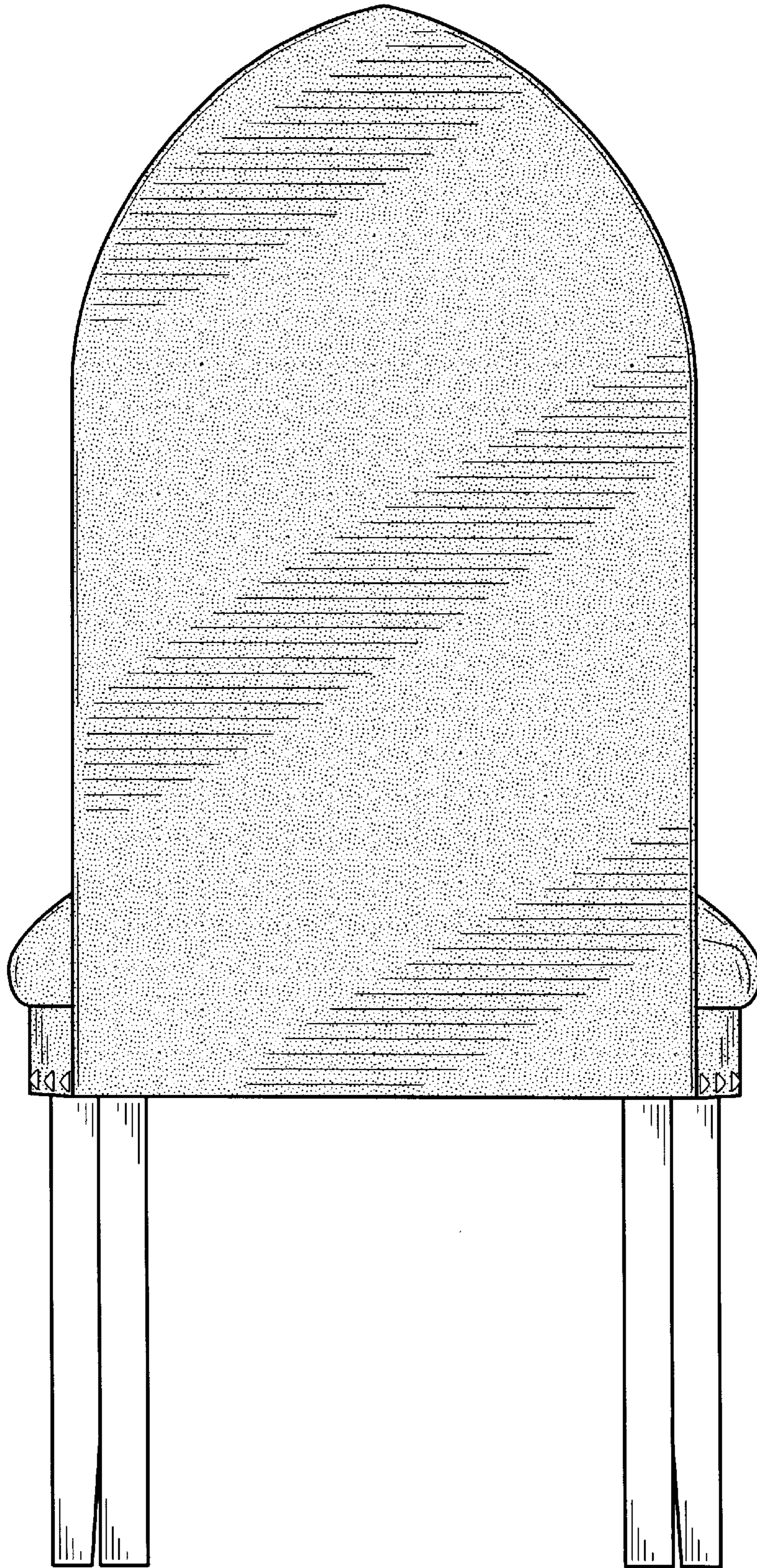


FIG. 4

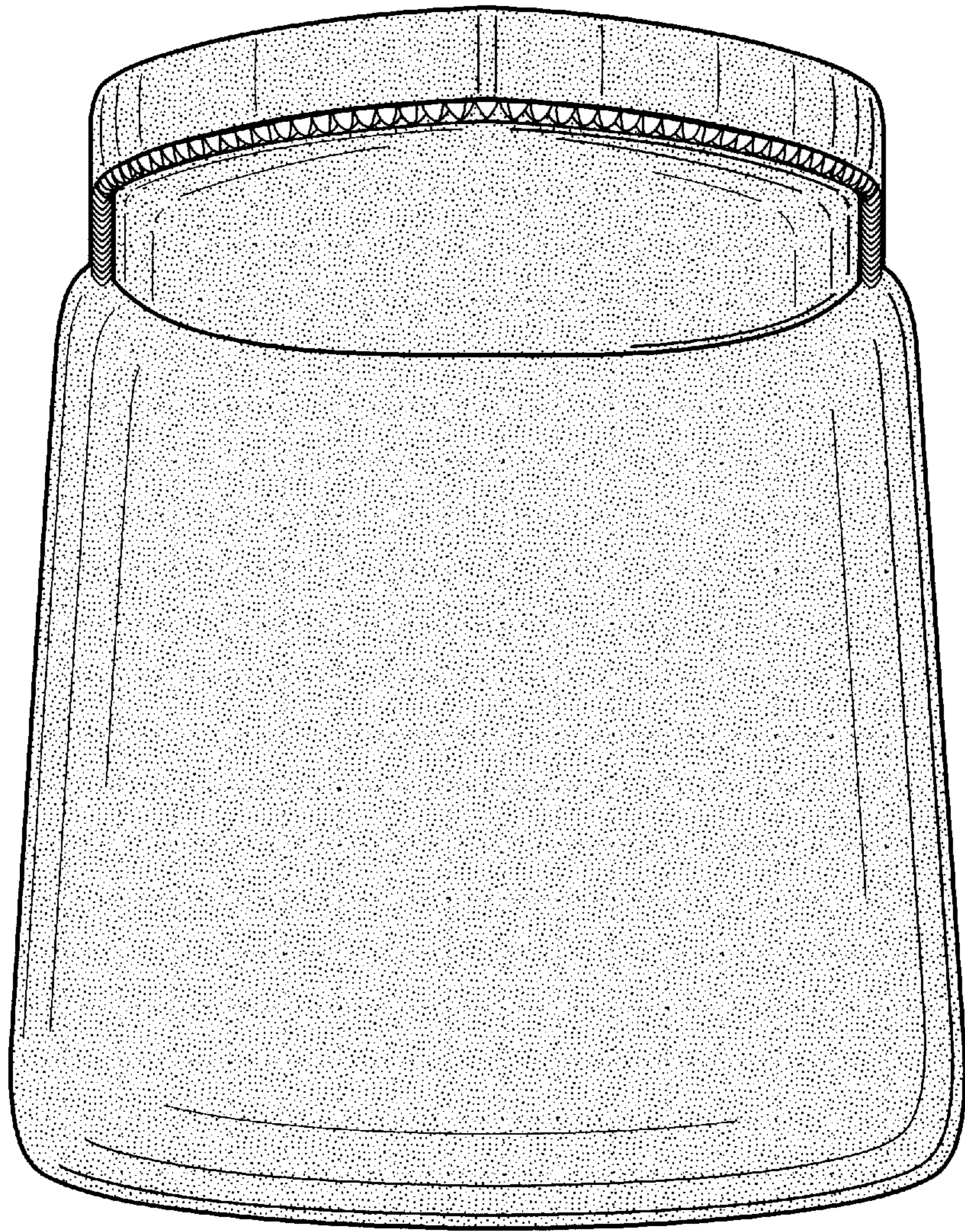


FIG. 5

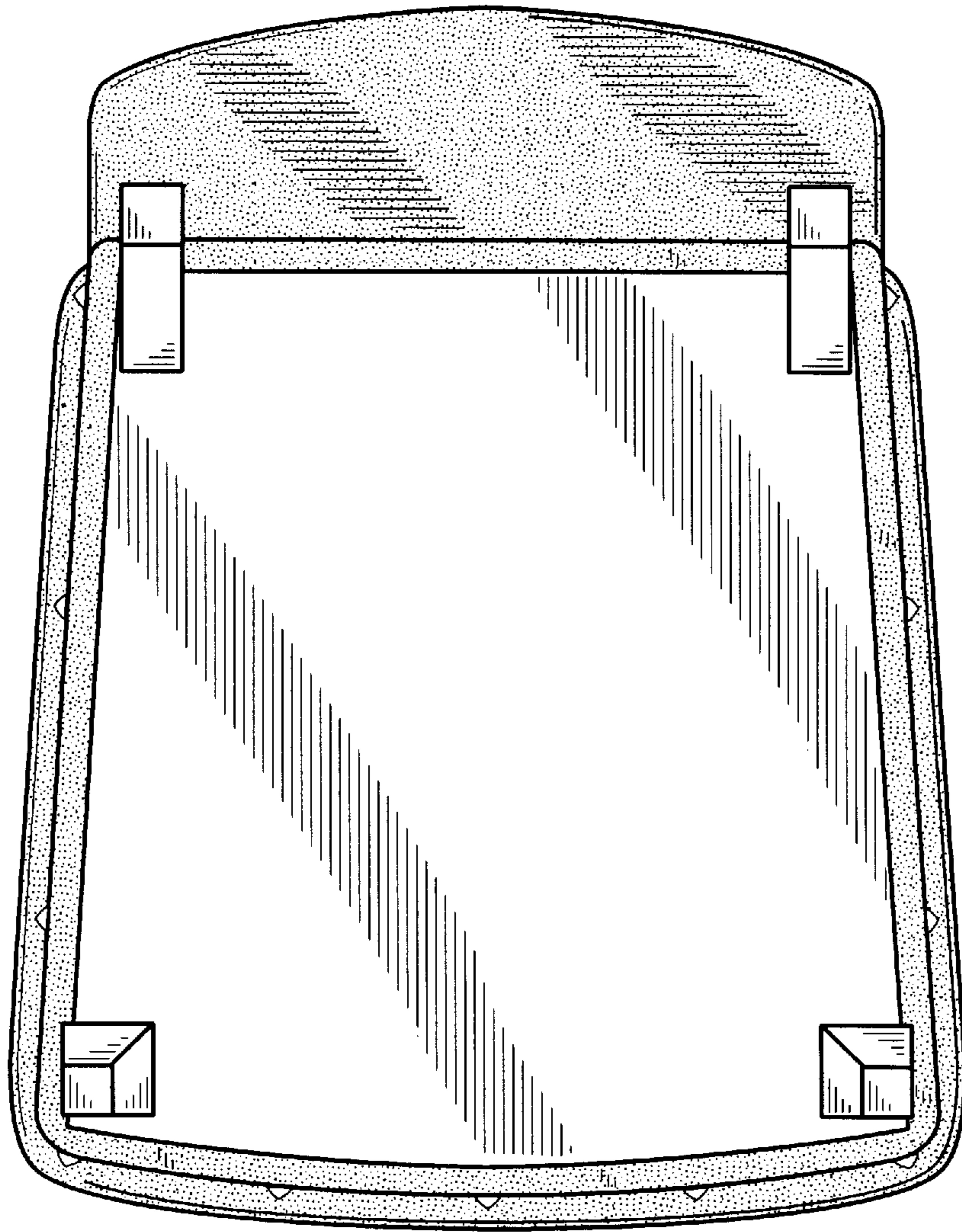


FIG. 6