



US00D400012S

United States Patent [19] Apps

[11] **Patent Number: Des. 400,012**

[45] **Date of Patent: **Oct. 27, 1998**

[54] **BOTTLE CRATE**

[75] Inventor: **William Patrick Apps**, Alpharetta, Ga.

[73] Assignee: **Rehrig Pacific Company, Inc.**, Los Angeles, Calif.

[**] Term: **14 Years**

[21] Appl. No.: **70,776**

[22] Filed: **May 15, 1997**

[51] **LOC (6) Cl.** **03-01**

[52] **U.S. Cl.** **D3/314**

[58] **Field of Search** D3/304, 307-314;
206/427, 503, 509, 510, 557; 220/509,
516, 519, 771, 756, DIG. 2, DIG. 15

[56] **References Cited**

U.S. PATENT DOCUMENTS

D. 380,901	7/1997	Apps et al.	D3/311
4,773,554	9/1988	Warwick	206/427 X
5,060,819	10/1991	Apps	220/519
5,704,482	1/1998	Apps et al.	206/510

Primary Examiner—Ted Shooman
Assistant Examiner—Richelle Shelton
Attorney, Agent, or Firm—Banner & Witcoff, Ltd.

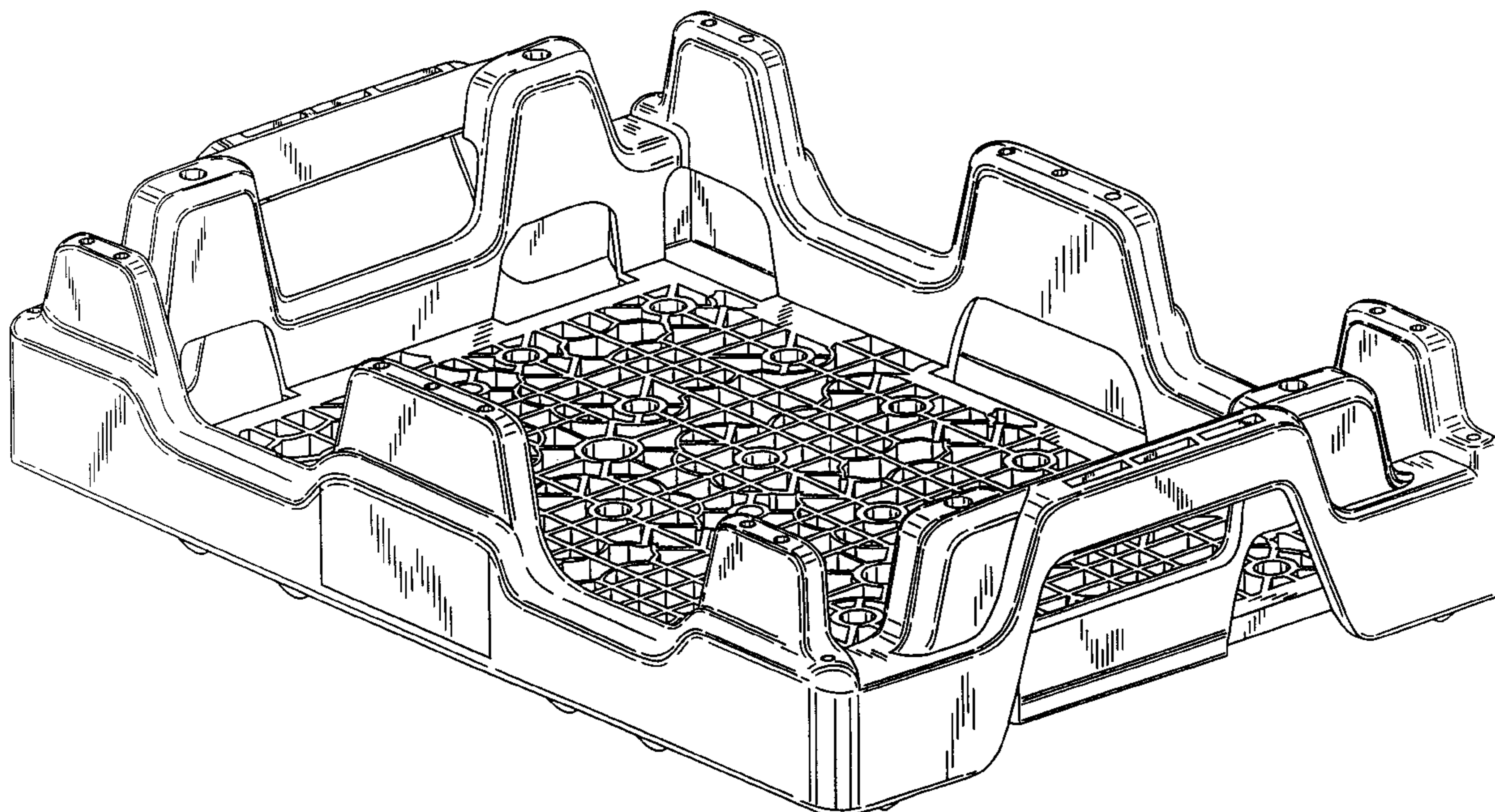
[57] **CLAIM**

The ornamental design for a bottle crate, as shown and described.

DESCRIPTION

FIG. 1 is a top perspective view of a bottle crate in accordance with my new design;
FIG. 2 is a bottom perspective view of the bottle crate of FIG. 1;
FIG. 3 is a side elevational view of the bottle crate of FIG. 1, the opposite side being a mirror image thereof;
FIG. 4 is an end elevational view of the bottle crate of FIG. 1, the opposite end being a mirror image thereof;
FIG. 5 is a top plan view of the bottle crate of FIG. 1;
FIG. 6 is a bottom plan view of the bottle crate of FIG. 1;
FIG. 7 is a side elevational view of the bottle crate of FIG. 1 with a broken line showing of bottles loaded thereon;
FIG. 8 is a cross-sectional view of the bottle crate taken generally along line 8—8 of FIG. 5;
FIG. 9 is a cross-sectional view of the bottle crate taken generally along line 9—9 of FIG. 5;
FIG. 10 is a cross-sectional view of the bottle crate taken generally along line 10—10 of FIG. 5;
FIG. 11 is a cross-sectional view of the bottle crate taken generally along line 11—11 of FIG. 5; and,
FIG. 12 is a cross-sectional view of the bottle crate taken generally along line 12—12 of FIG. 5.
The broken line showing of bottles in FIG. 7 is for illustration purposes only, and forms no part of the claimed design.

1 Claim, 8 Drawing Sheets



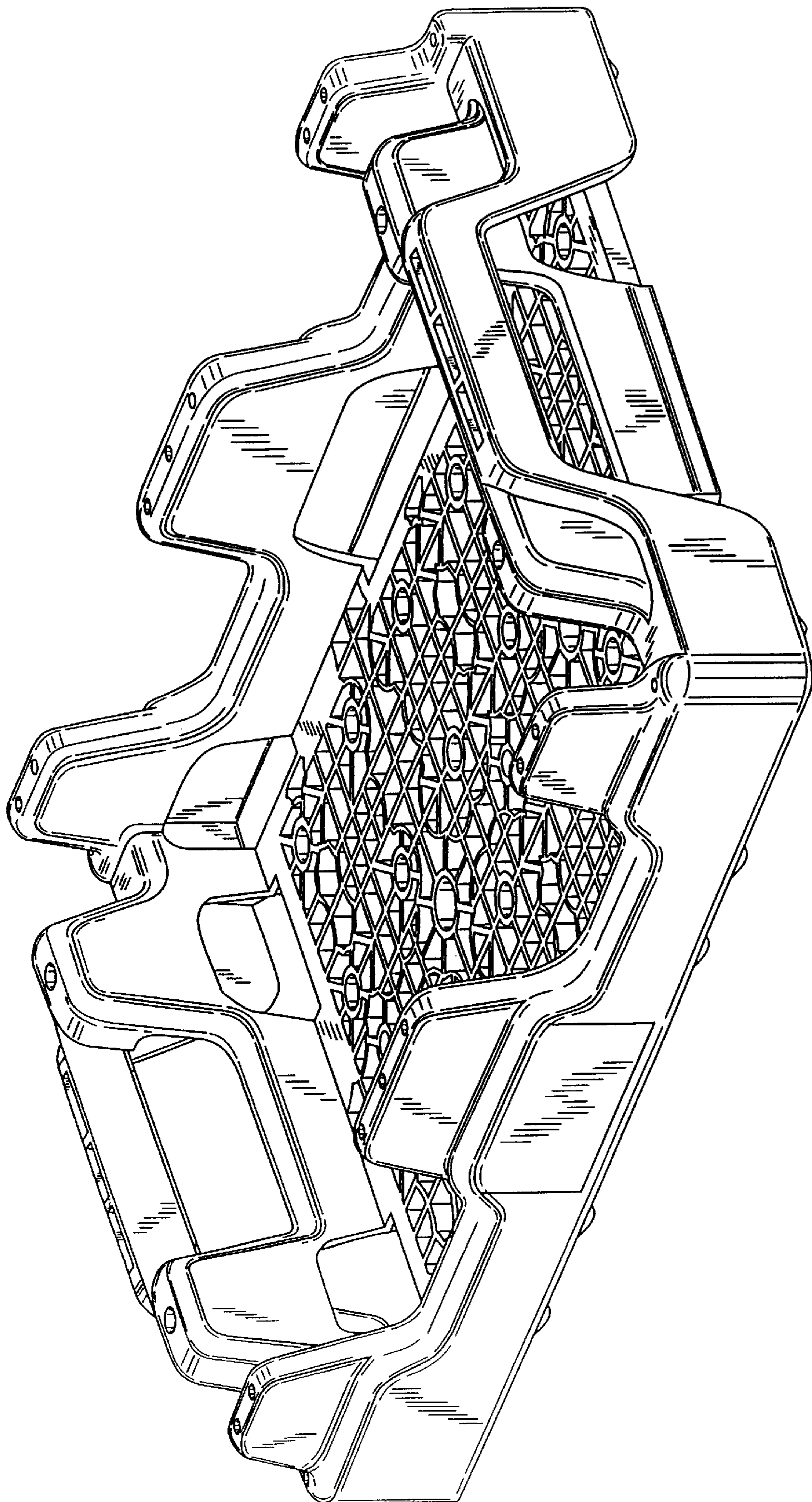


FIG. 1

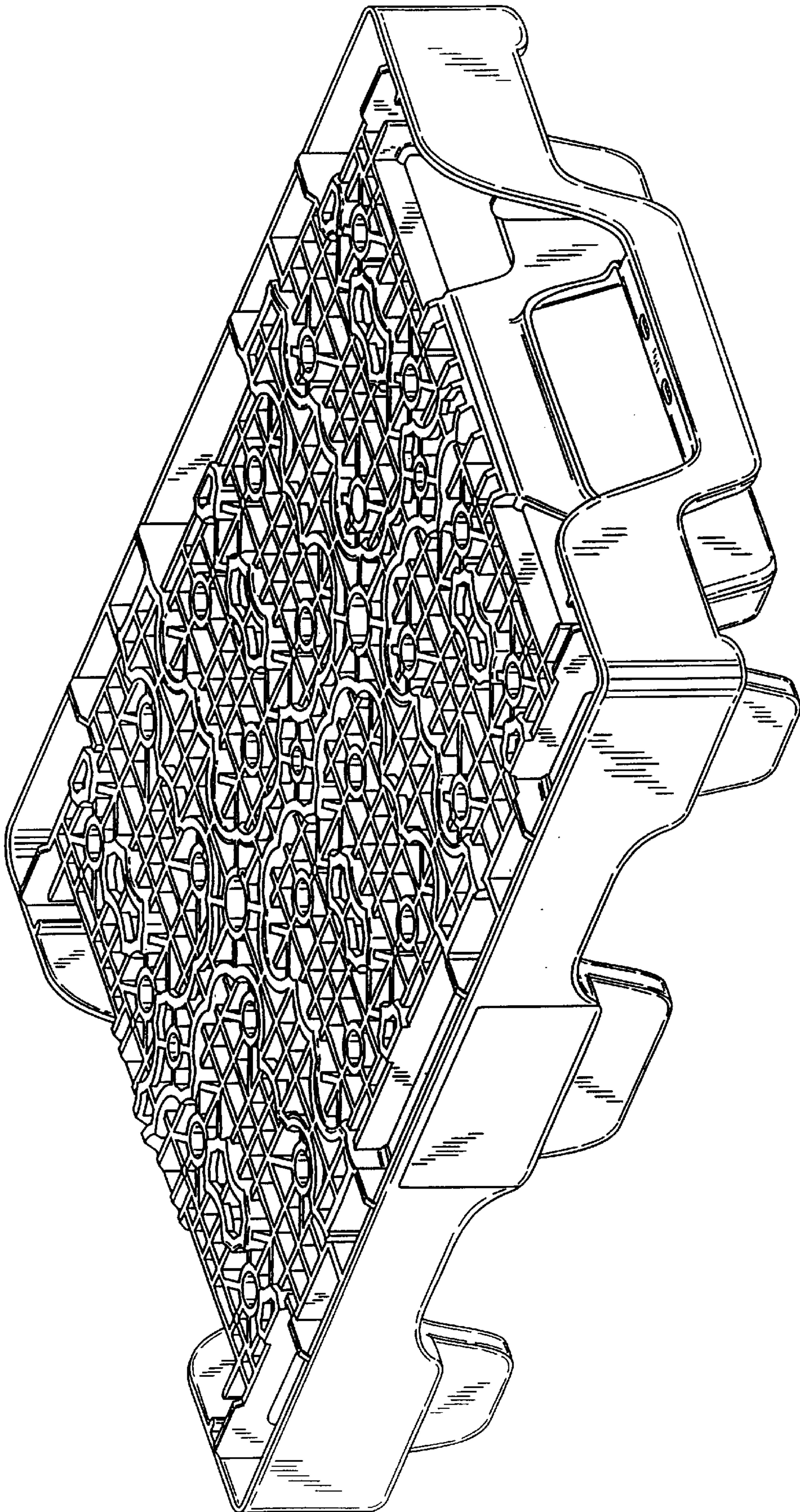


FIG. 2

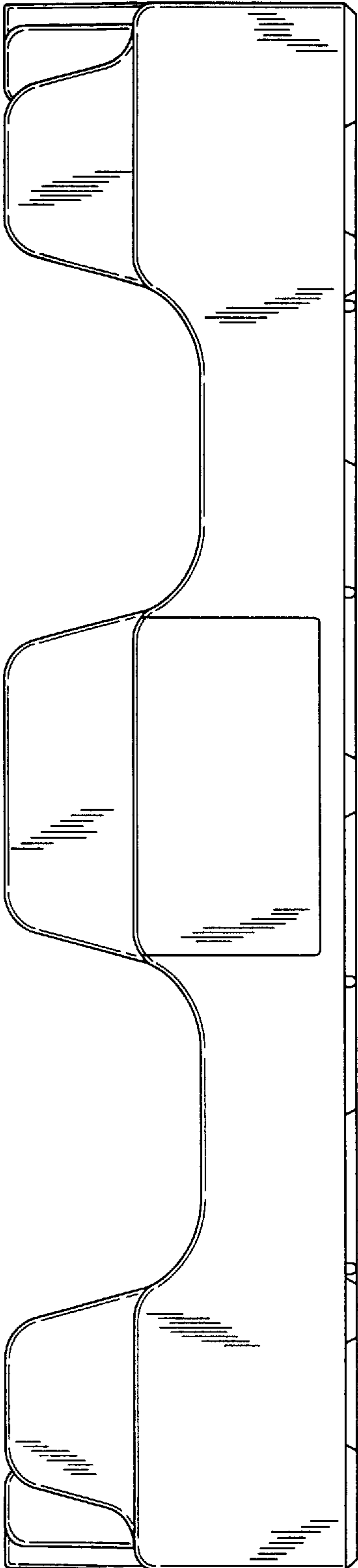


FIG. 3

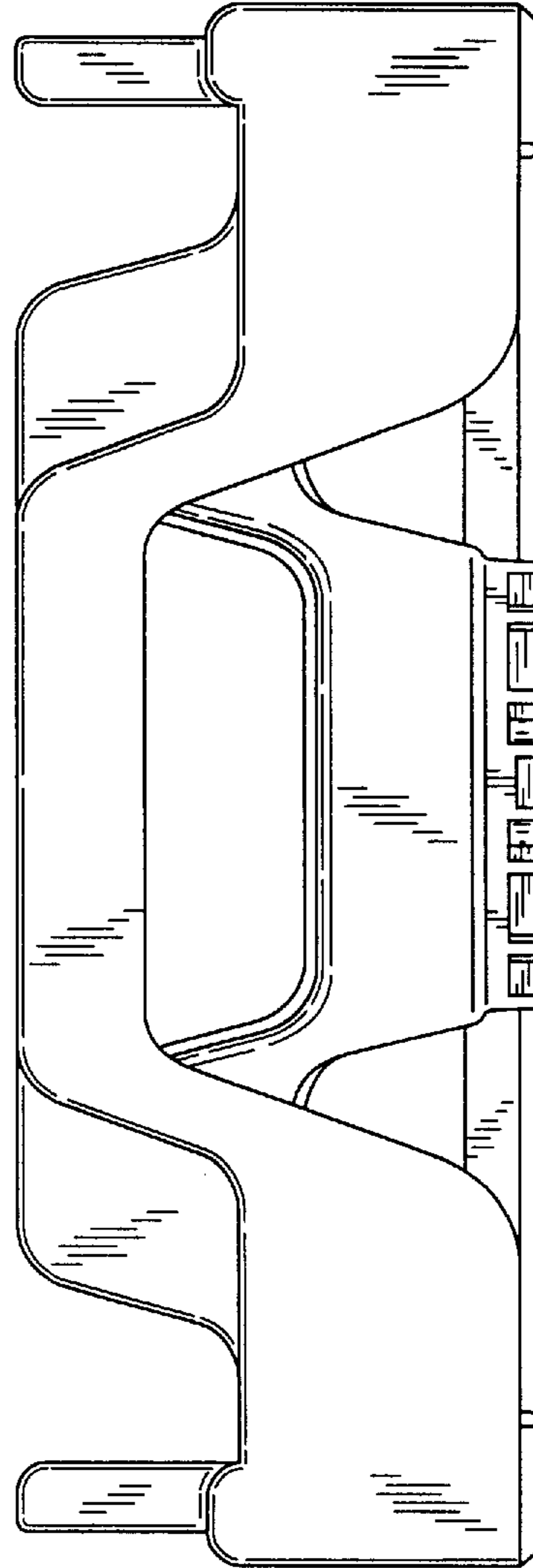


FIG. 4

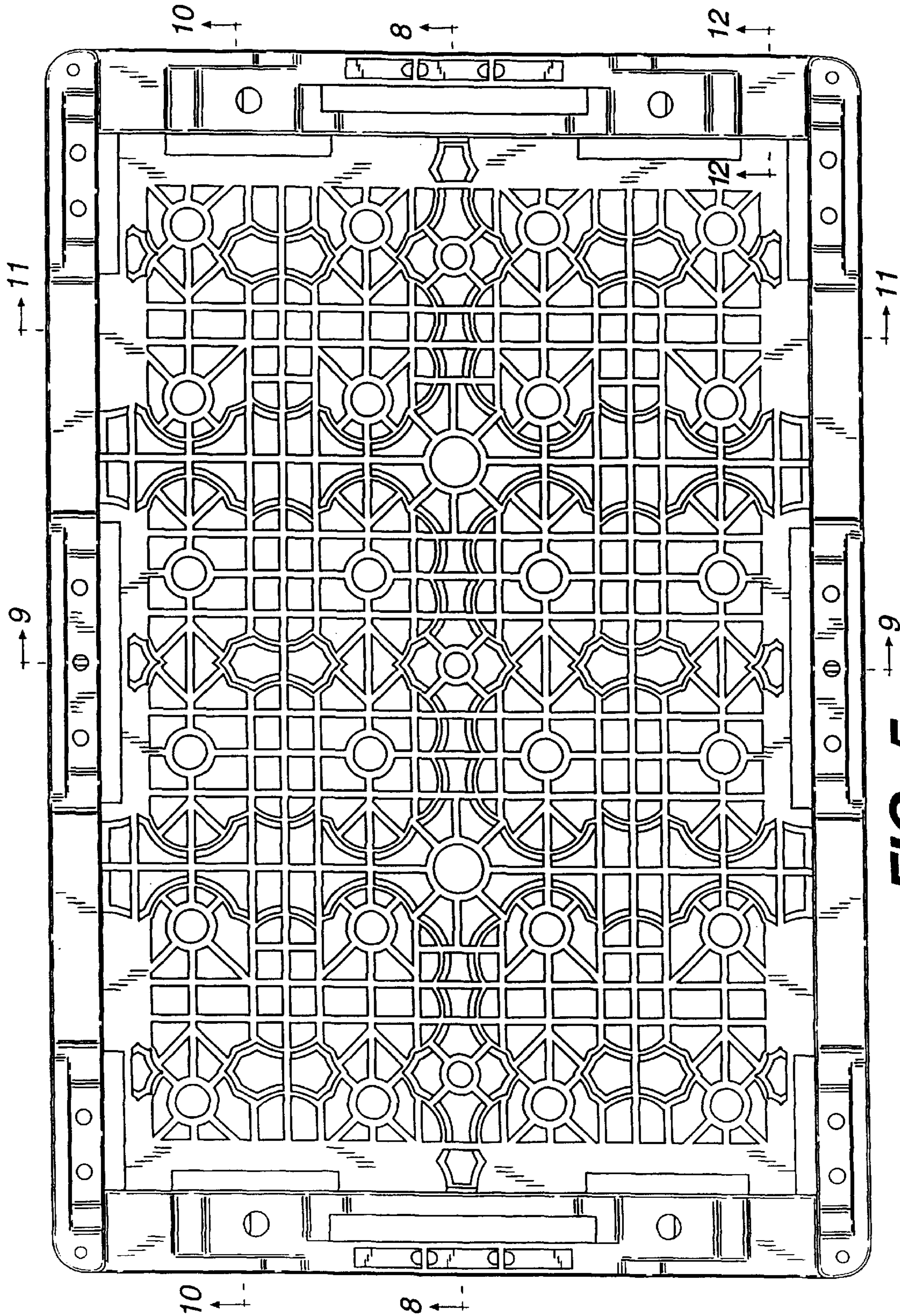


FIG. 5

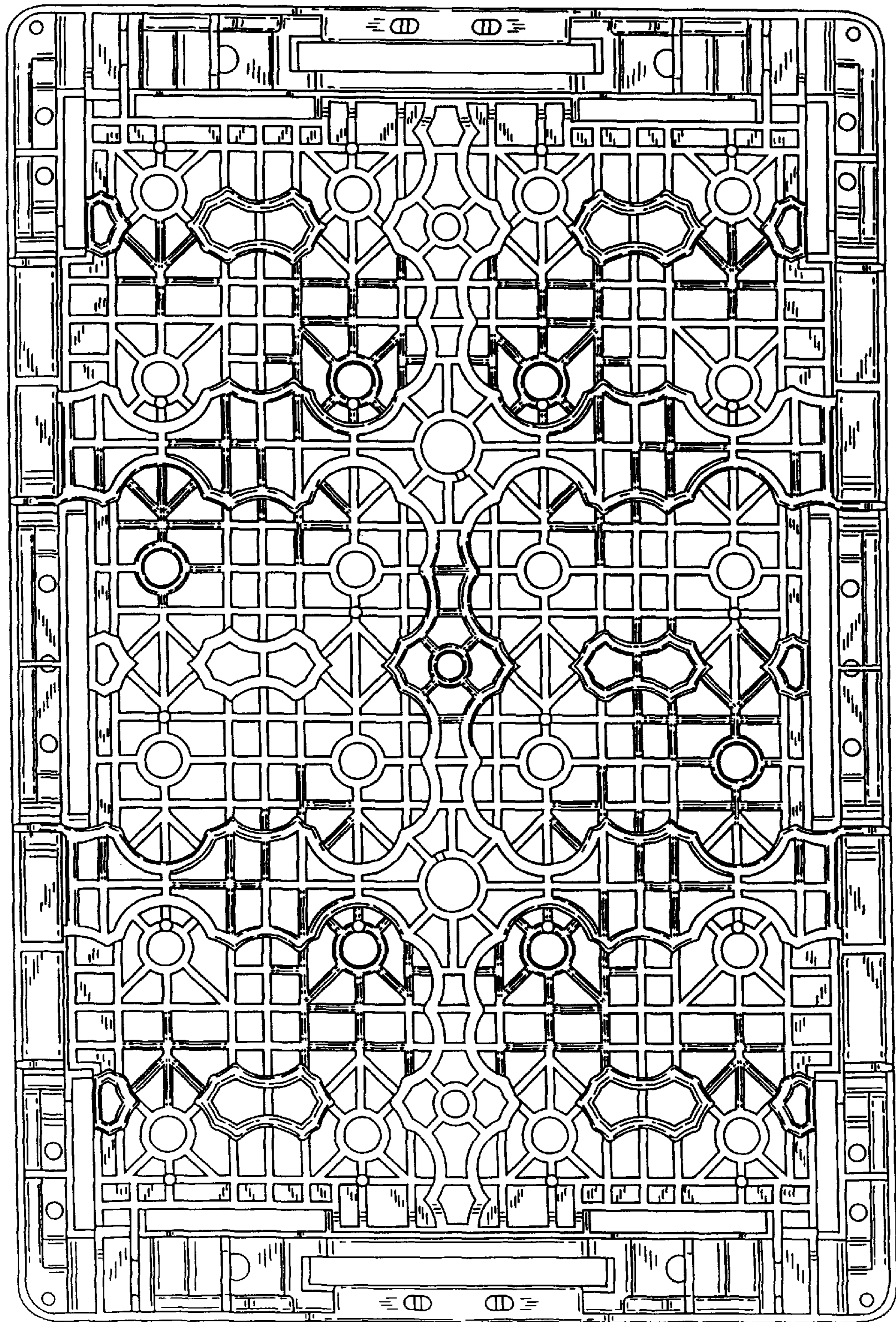


FIG. 6

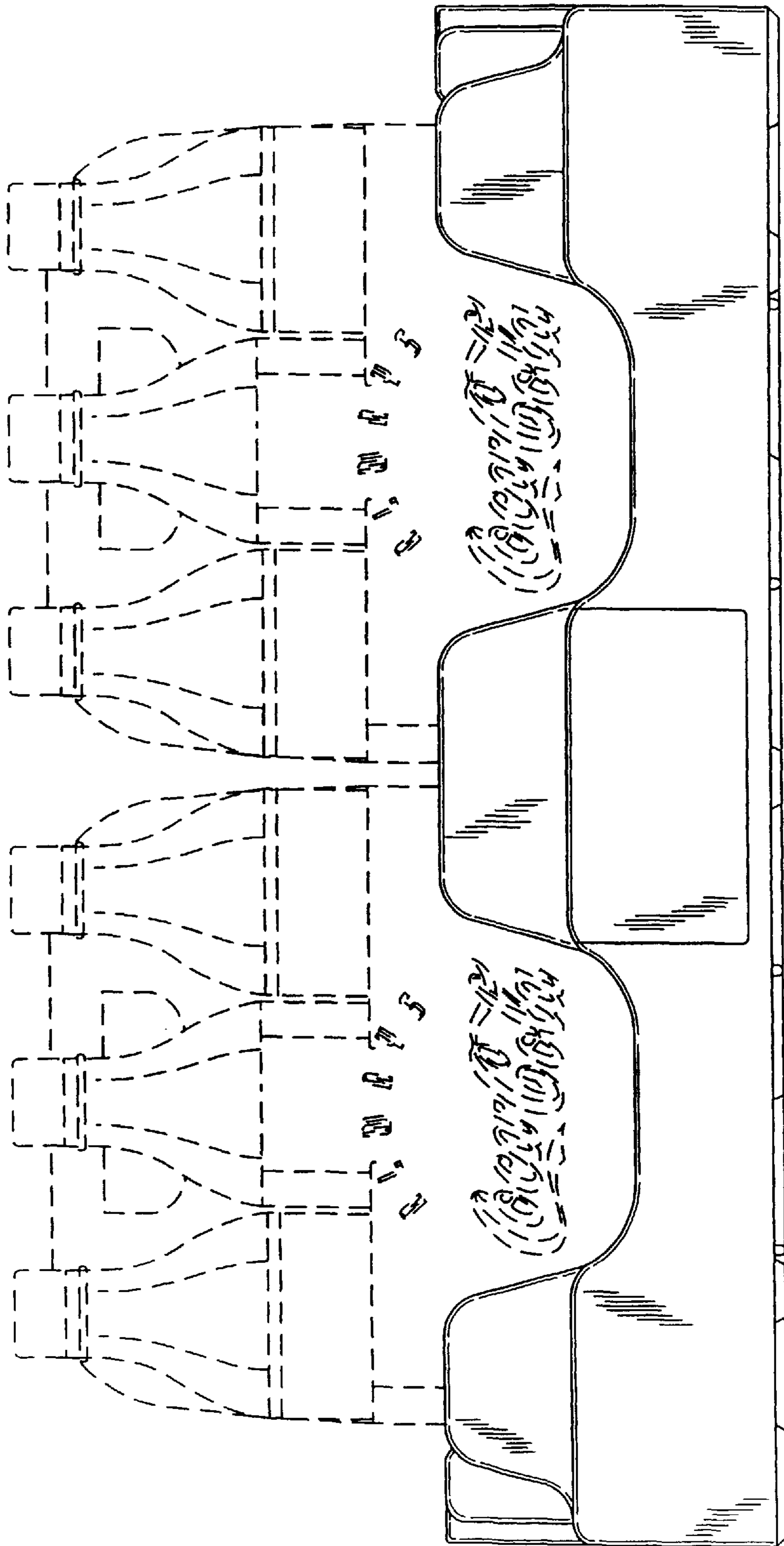


FIG. 7

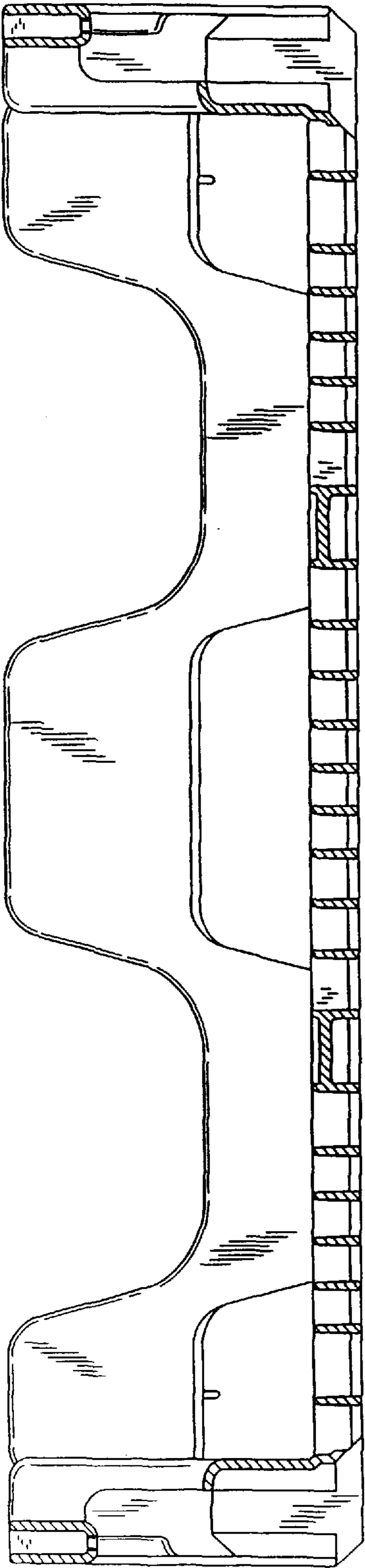


FIG. 8

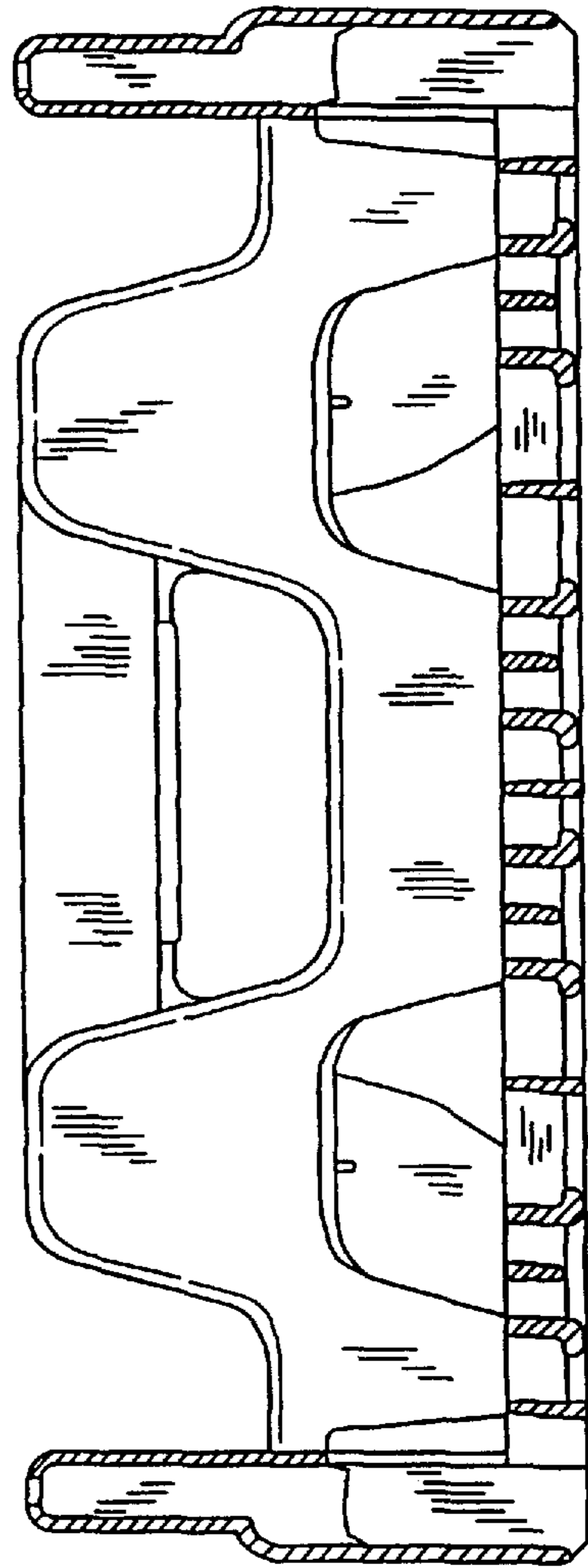


FIG. 9

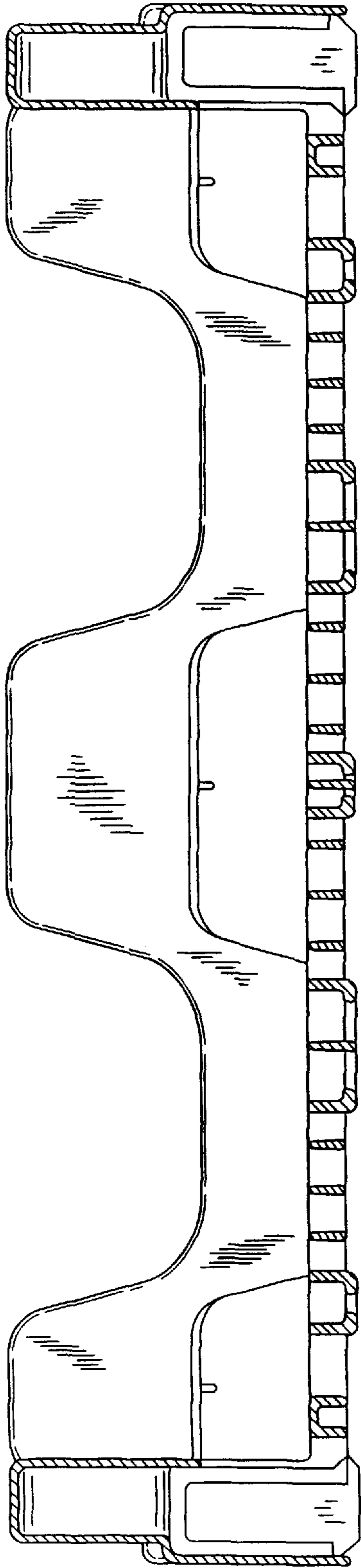


FIG. 10

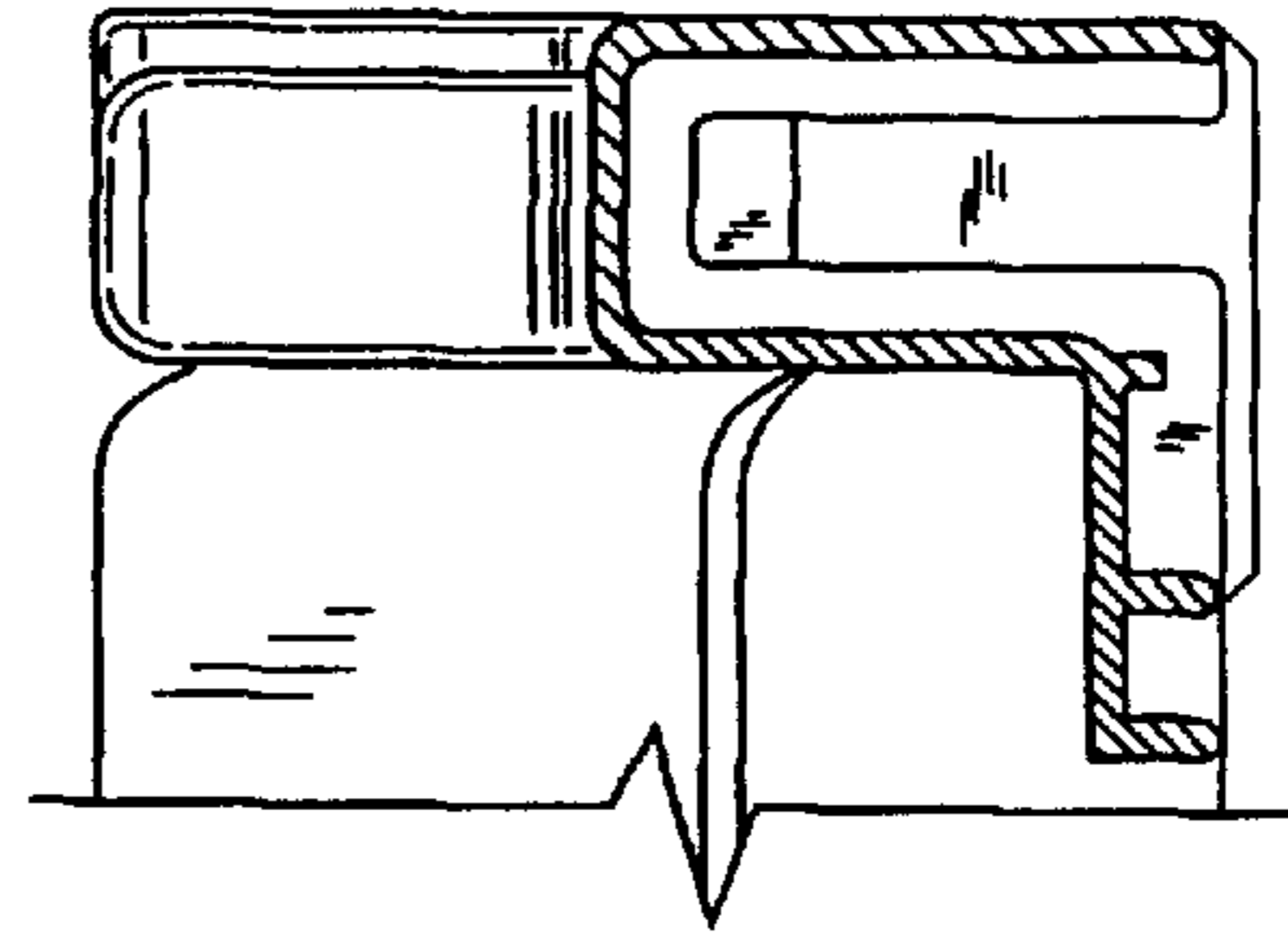


FIG. 12

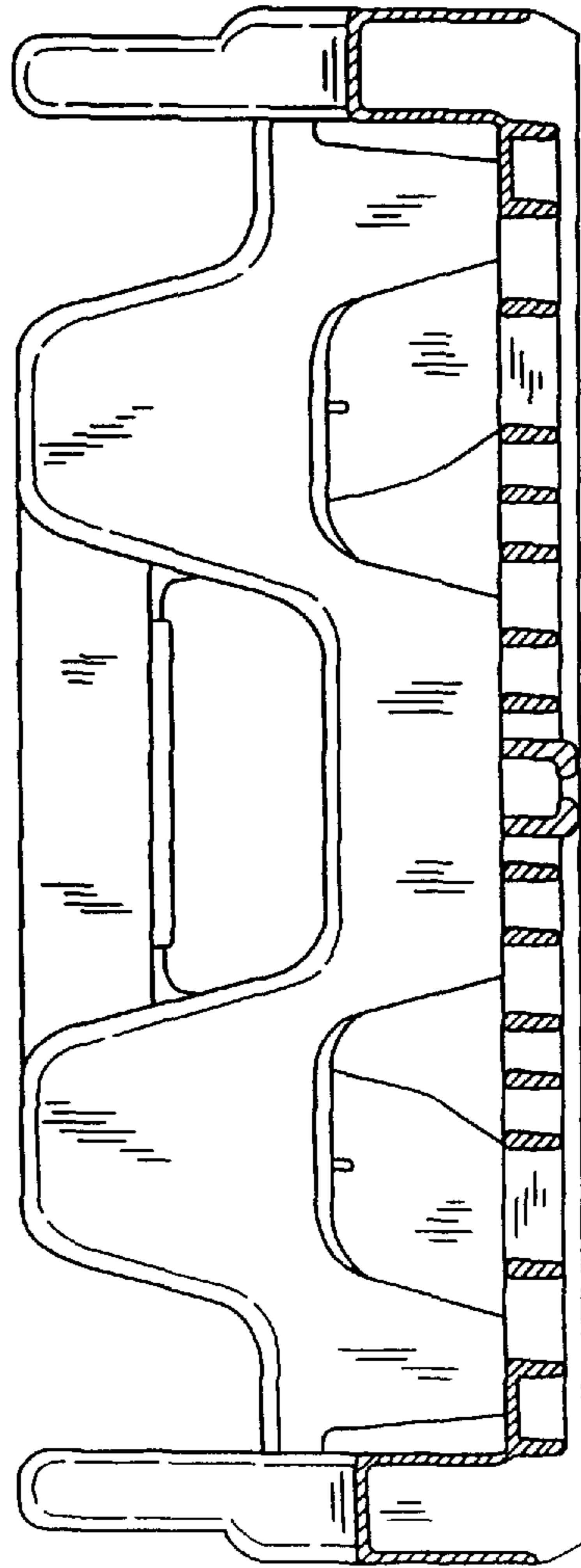


FIG. 11