



US00D400011S

United States Patent [19]

Palmer et al.

[11] Patent Number: **Des. 400,011**

[45] Date of Patent: ****Oct. 27, 1998**

[54] **RAPID TRANSFER CASE**

[75] Inventors: **Christopher G. Palmer; Peter J. Palmer**, both of Saratoga; **Steven A. Gelpman**, San Jose, all of Calif.

[73] Assignee: **Creative Point, Inc.**, Fremont, Calif.

[**] Term: **14 Years**

[21] Appl. No.: **68,591**

[22] Filed: **Mar. 11, 1997**

[51] **LOC (6) Cl.** **03-01**

[52] **U.S. Cl.** **D3/294**

[58] **Field of Search** D3/273, 294, 295; 220/334, 335, 336; D9/424, 423, 425, 426

[56] **References Cited**

U.S. PATENT DOCUMENTS

D. 168,709	1/1953	Reinecke et al.	D3/294
D. 257,790	1/1981	Kesling	D9/424
D. 315,954	4/1991	Berland	D3/294
D. 330,913	11/1992	Hiomori	D3/294
D. 337,658	7/1993	Kaposvari	D3/294

D. 343,121	1/1994	Liska	D28/78
D. 367,211	2/1996	Cautereels	D3/294
5,107,871	4/1992	Butcher et al.	206/823

Primary Examiner—Philip S. Hyder
Attorney, Agent, or Firm—Michael J. Hughes; Larry B. Guernsey

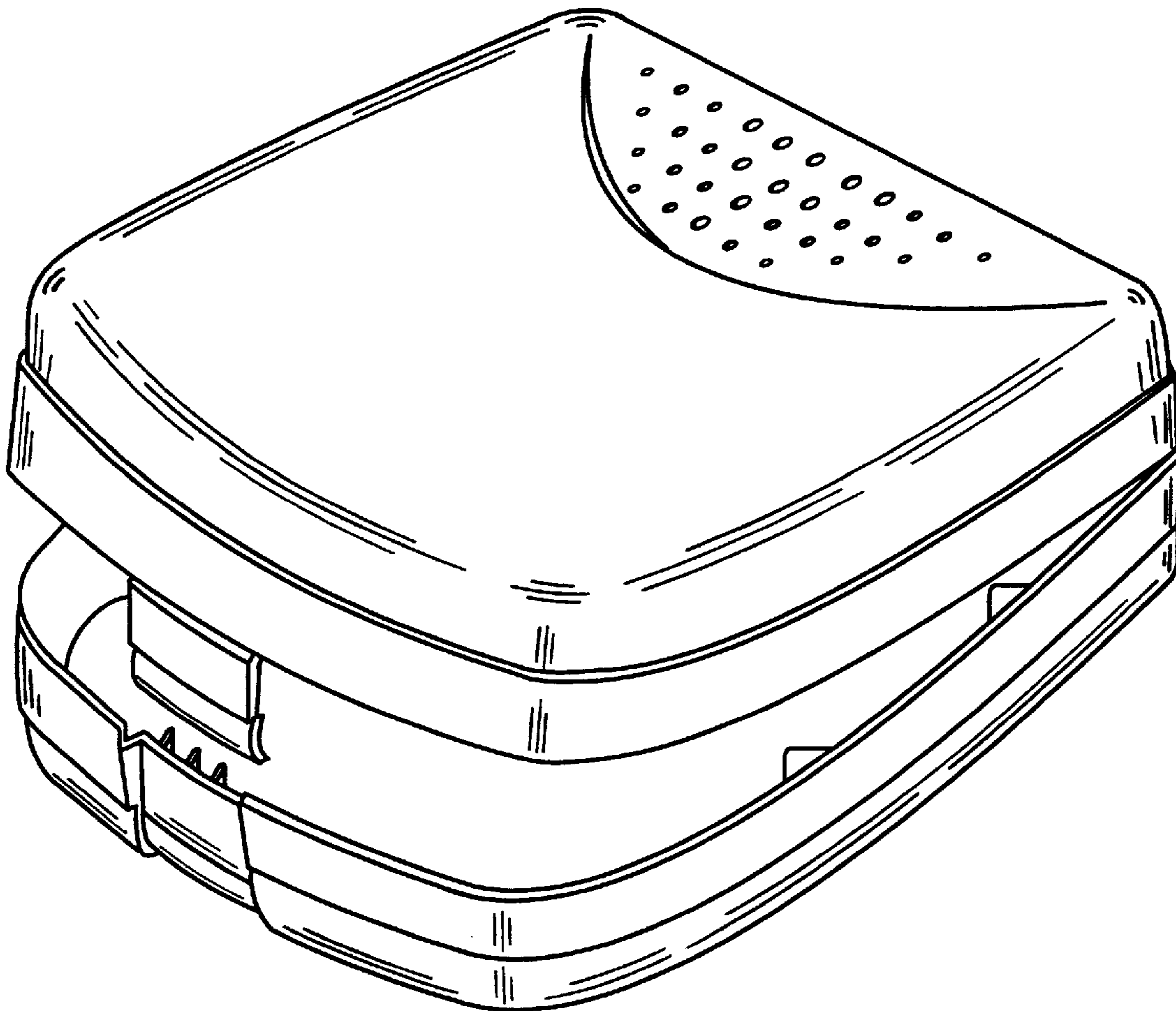
[57] **CLAIM**

The ornamental design for a rapid transfer case, as shown and described.

DESCRIPTION

FIG. 1 is a front top perspective view of the rapid transfer in an open position case seen from the right-hand side, the view from the left-hand side being an identical mirror image;
FIG. 2 is a top plan view thereof in a closed position;
FIG. 3 is a front elevational view thereof in a closed position;
FIG. 4 is a bottom plan view thereof in a closed position; and,
FIG. 5 is a rear elevational view thereof.

1 Claim, 3 Drawing Sheets



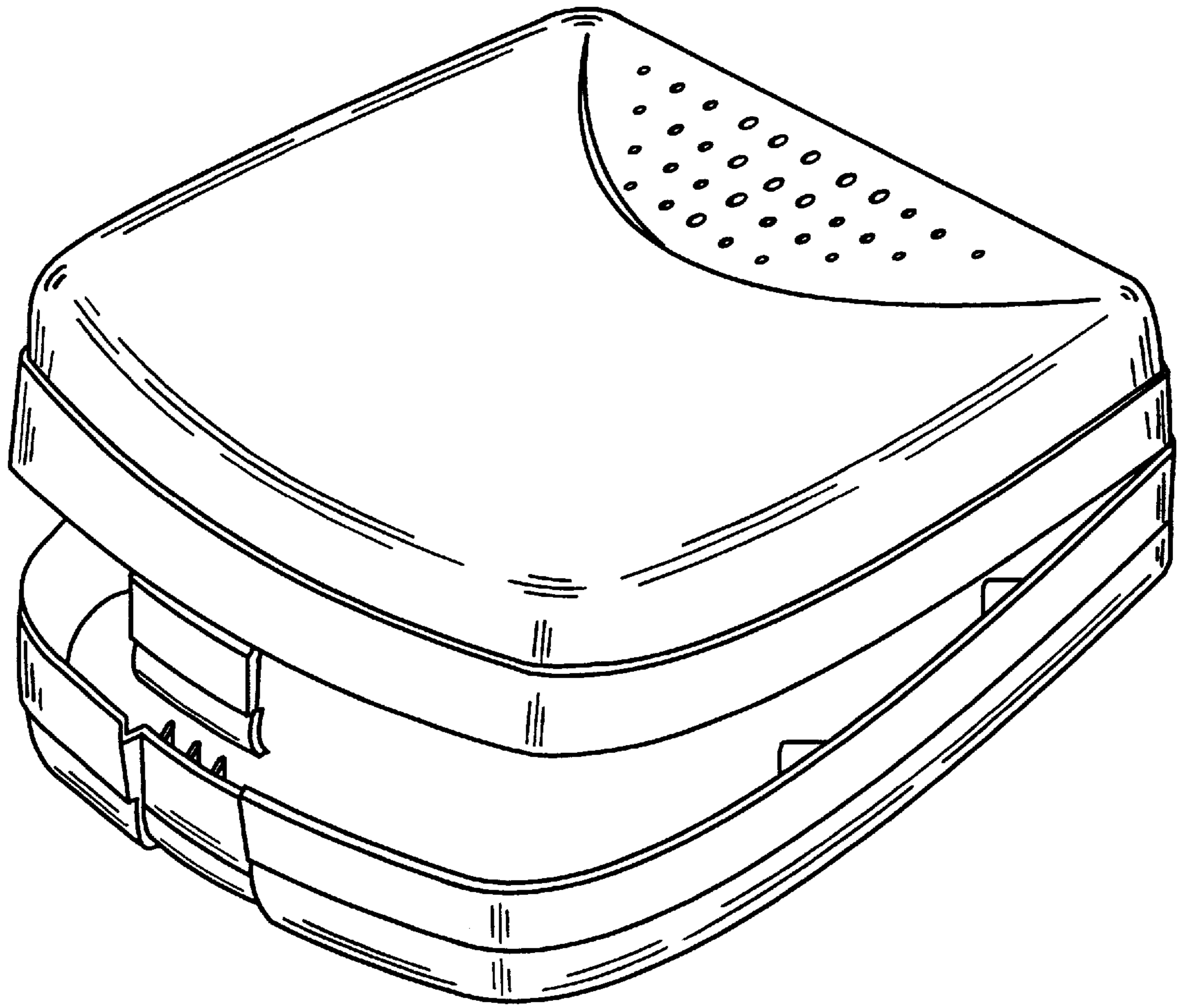


FIG. 1

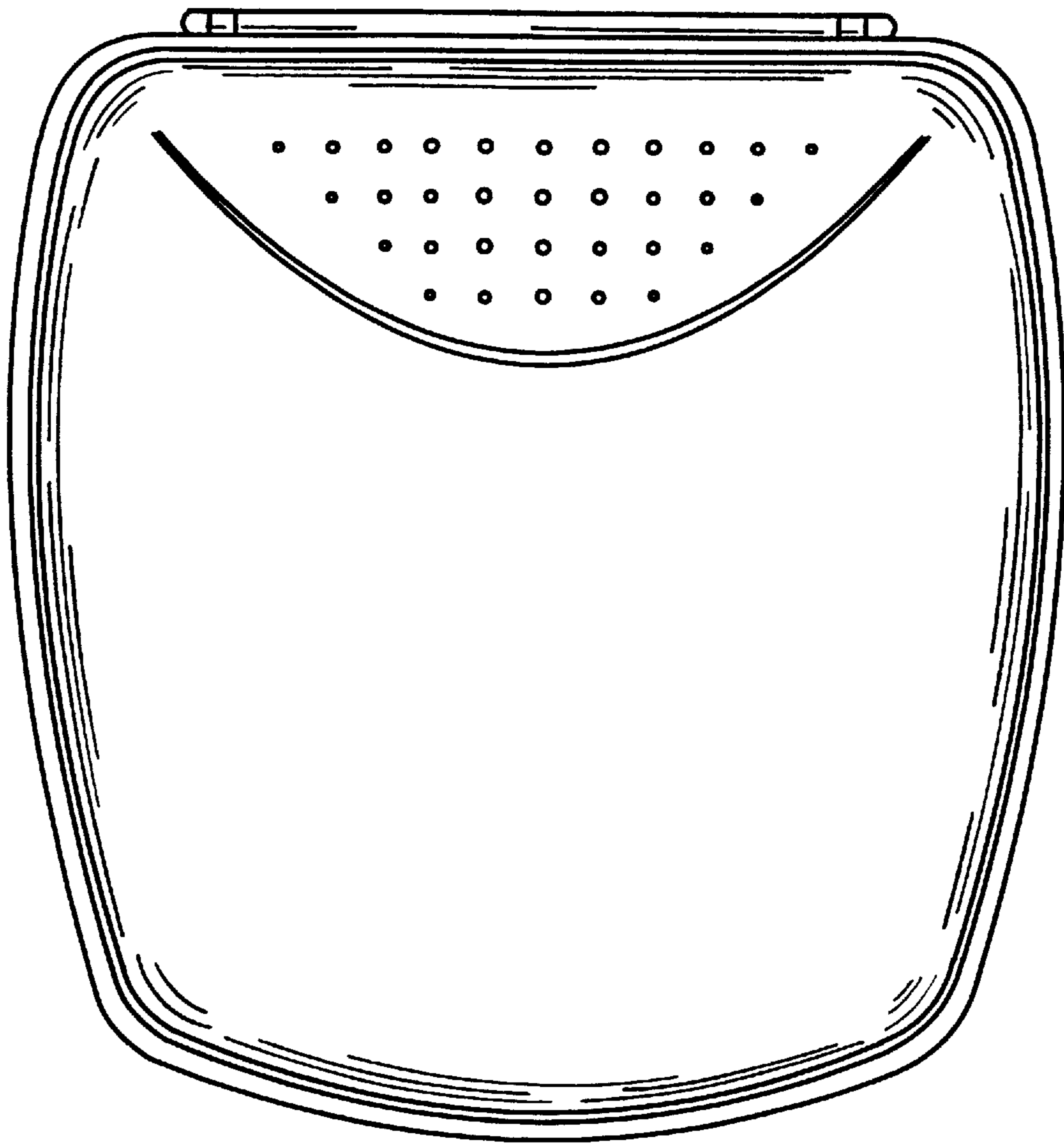


FIG. 2

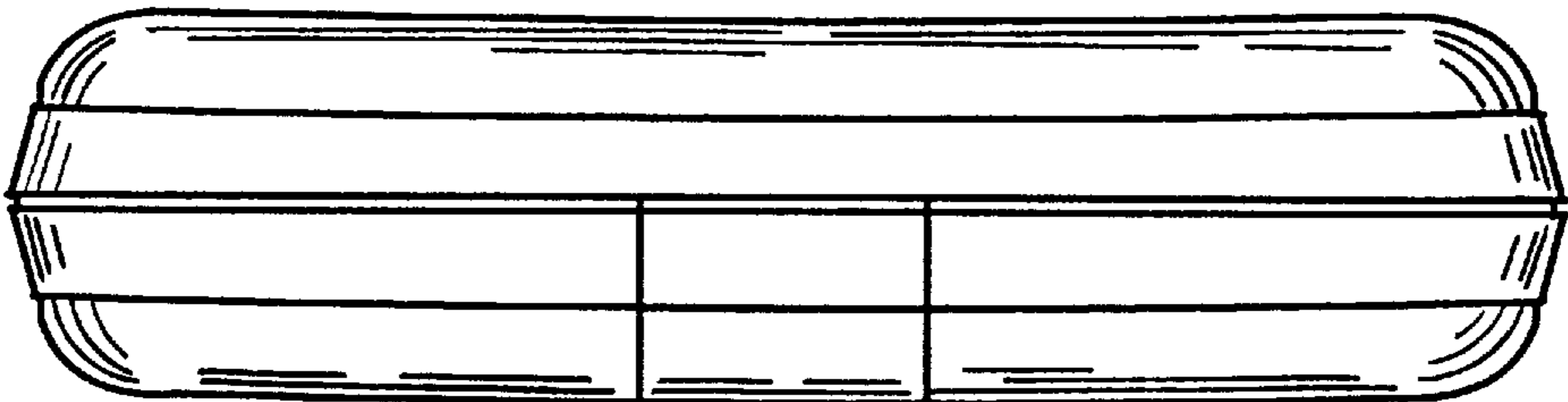


FIG. 3

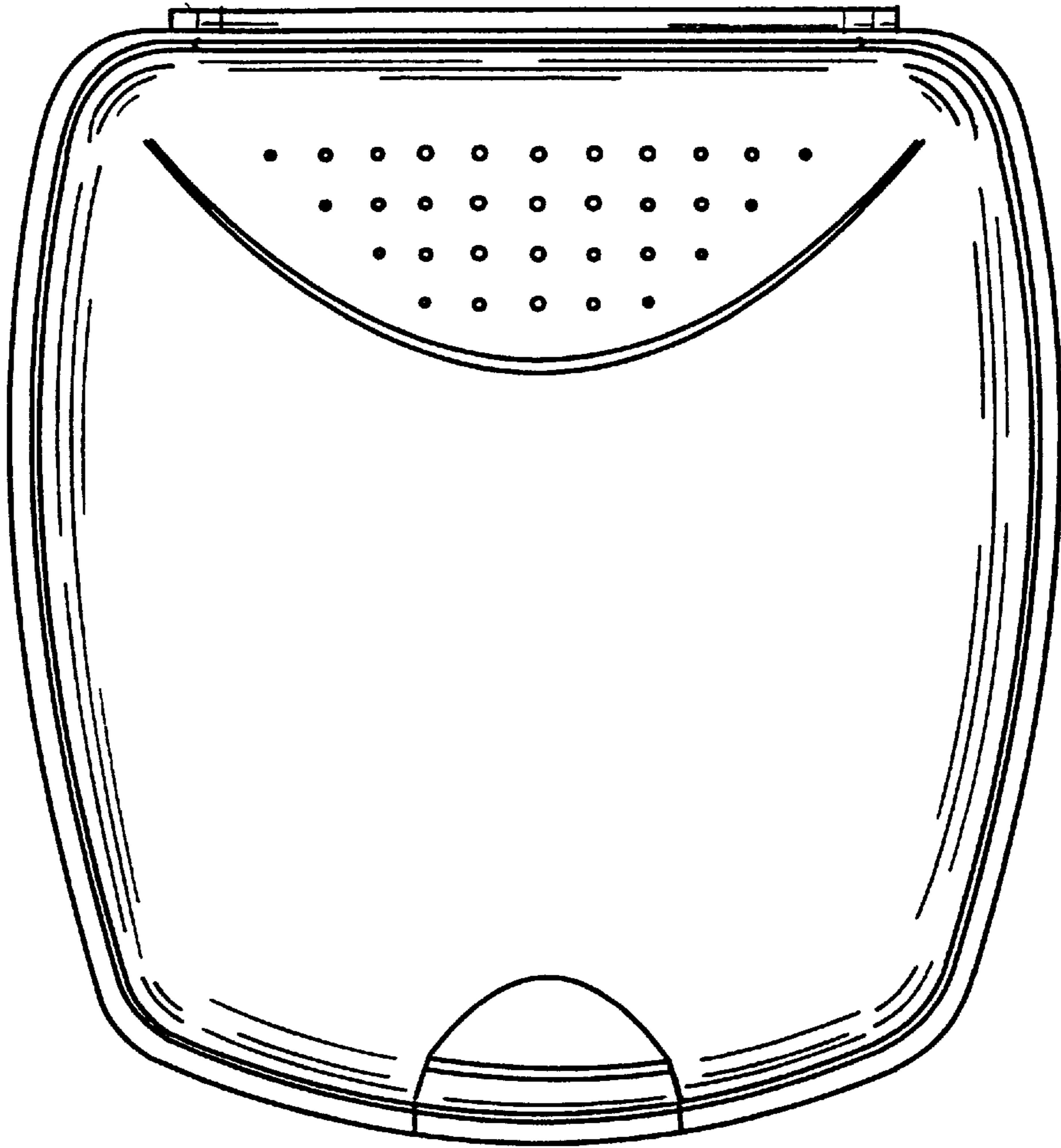


FIG. 4

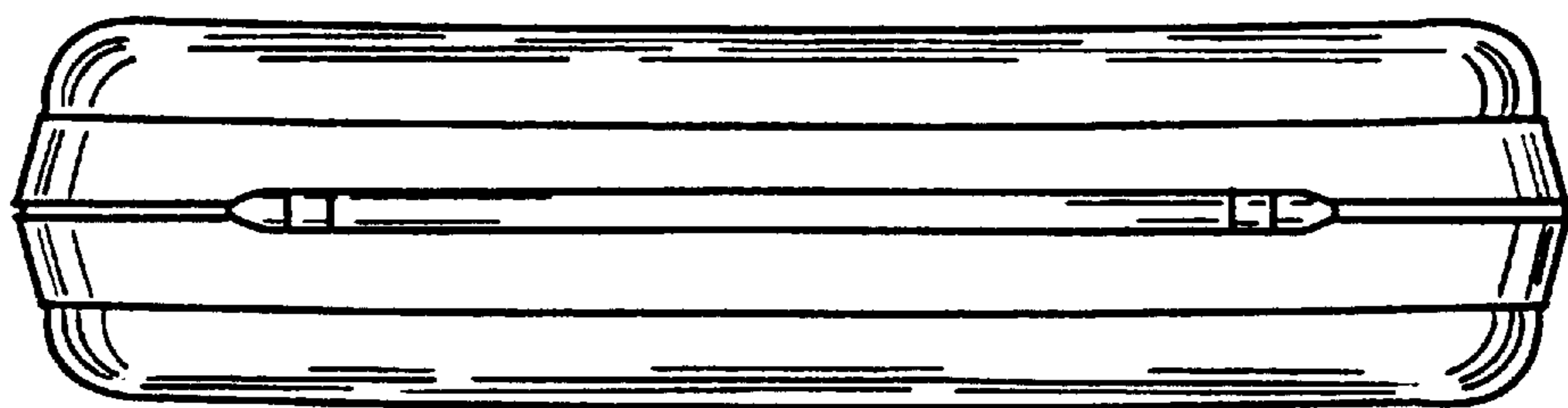


FIG. 5