



US00D400008S

# United States Patent [19]

Liaklev

[11] **Patent Number: Des. 400,008**

[45] **Date of Patent: \*\*\*Oct. 27, 1998**

[54] **TRACK FOR STORING FISH HOOKS**

[75] Inventor: **Geir Jørn Liaklev**, Gjøvik, Norway

[73] Assignee: **O. Mustad & Son A/S**, Gjøvik, Norway

[\*] Notice: The term of this patent shall not extend beyond the expiration date of Pat. No. Des. 393,942.

[\*\*] Term: **14 Years**

[21] Appl. No.: **64,039**

[22] Filed: **Dec. 20, 1996**

[30] **Foreign Application Priority Data**

Jun. 24, 1996 [NO] Norway ..... 960449

[51] **LOC (6) Cl.** ..... **03-01**

[52] **U.S. Cl.** ..... **D3/260; D22/144**

[58] **Field of Search** ..... D22/144, 134; D3/260; D8/377; D25/119; 43/25.2

[56] **References Cited**

**U.S. PATENT DOCUMENTS**

D. 203,635 2/1966 Vernon, Sr. .... D25/119

D. 252,285	7/1979	Brockway .....	D25/119
D. 270,187	8/1983	Whitehouse et al. ....	D25/119
D. 283,297	4/1986	Bancroft .....	D25/119 X
D. 294,867	3/1988	Meshulam .....	D25/119
D. 345,429	3/1994	Bancroft .....	D25/119
4,676,016	6/1987	Phillips et al. ....	D25/119

*Primary Examiner*—Doris V. Coles  
*Attorney, Agent, or Firm*—Jacobson, Price, Holman & Stern, PLLC

[57] **CLAIM**

The ornamental design for a track for storing fish hooks, as shown and described.

**DESCRIPTION**

FIG. 1 is a top perspective view showing my new design for a track for storing fish hooks;  
FIG. 2 is a bottom perspective view thereof;  
FIG. 3 is a front and side perspective view thereof;  
FIG. 4 is a left side view thereof; and,  
FIG. 5 is a top plan view thereof.

**1 Claim, 2 Drawing Sheets**

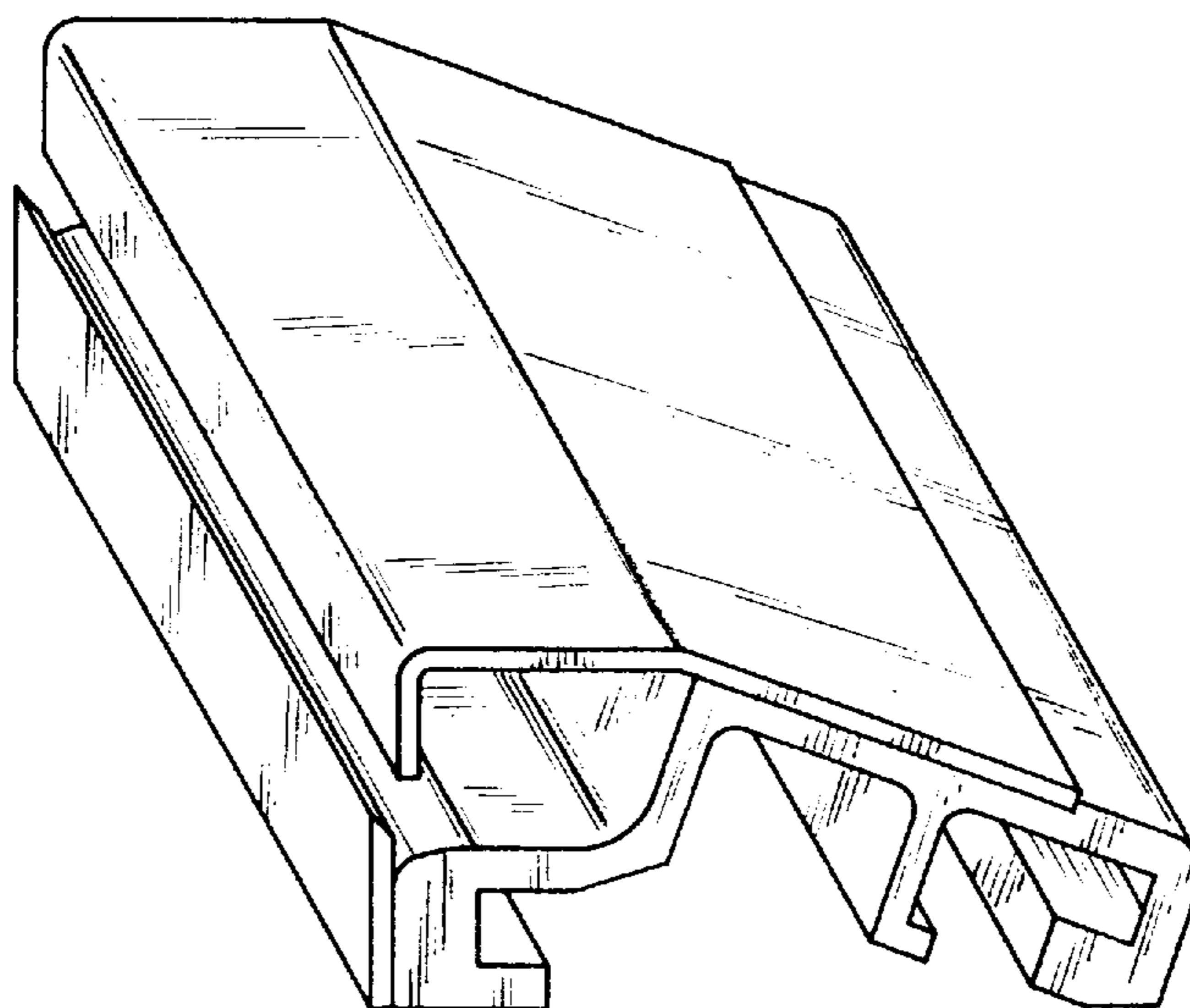


FIG. 1

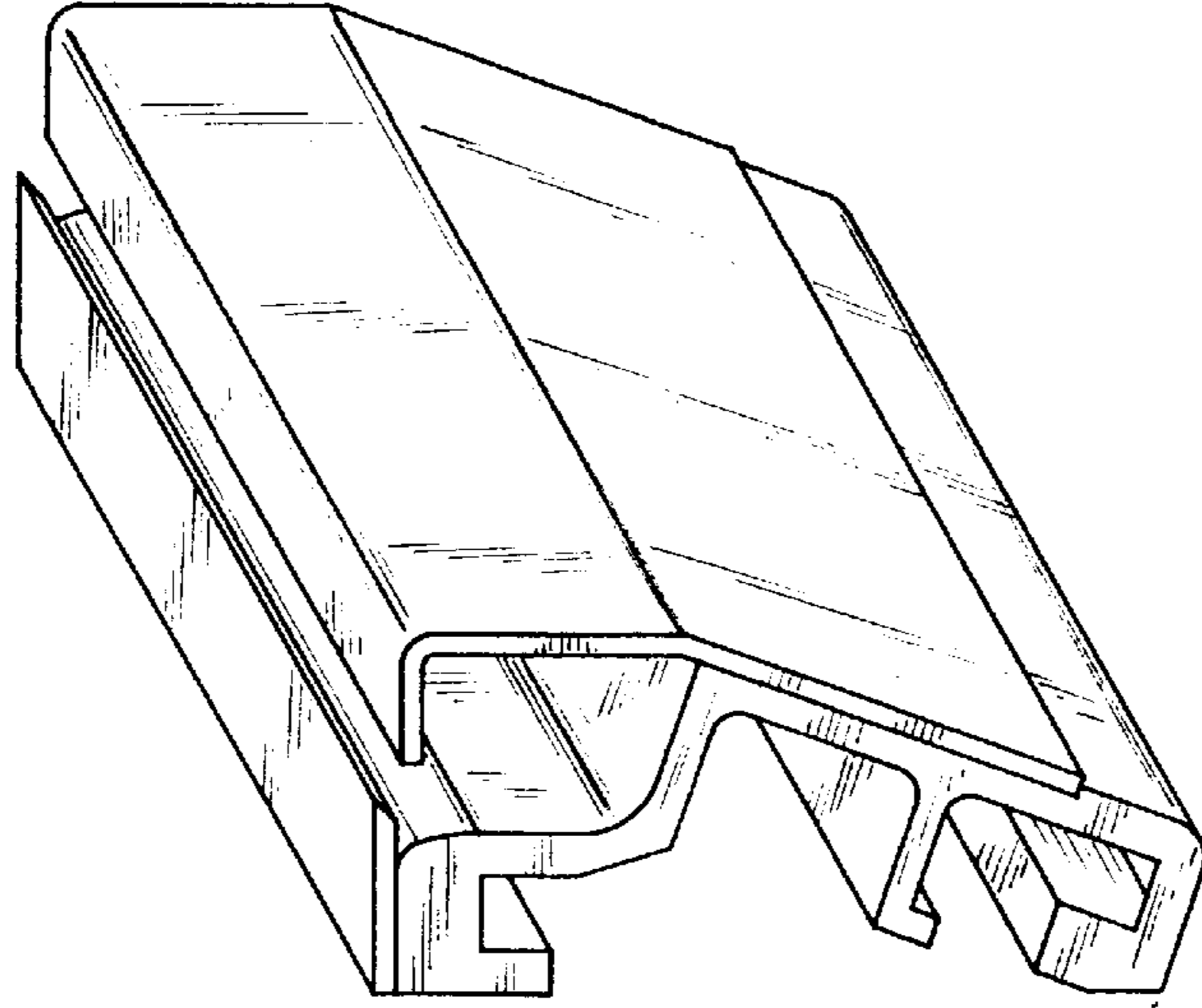


FIG. 2

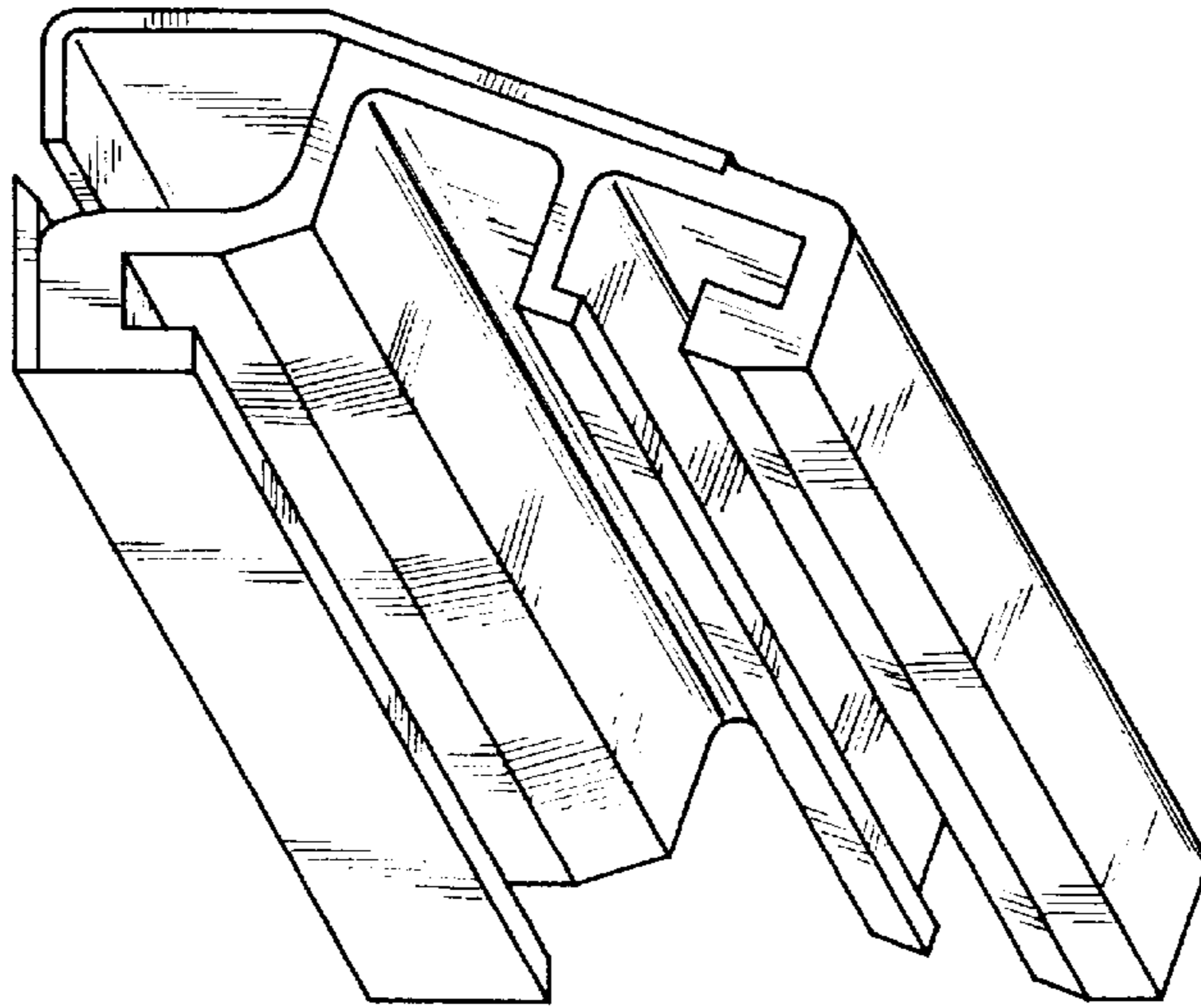


FIG. 3

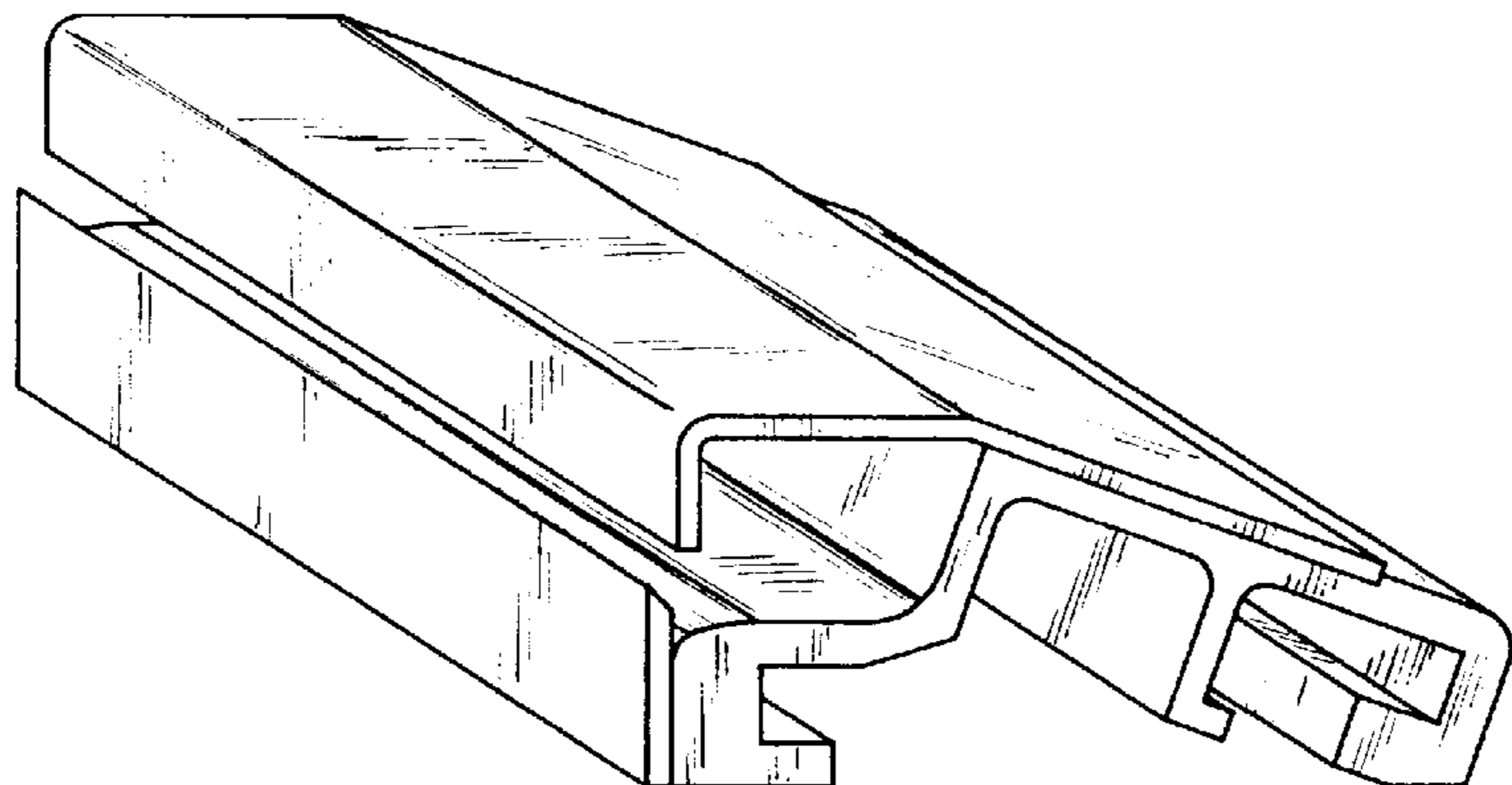


FIG. 4

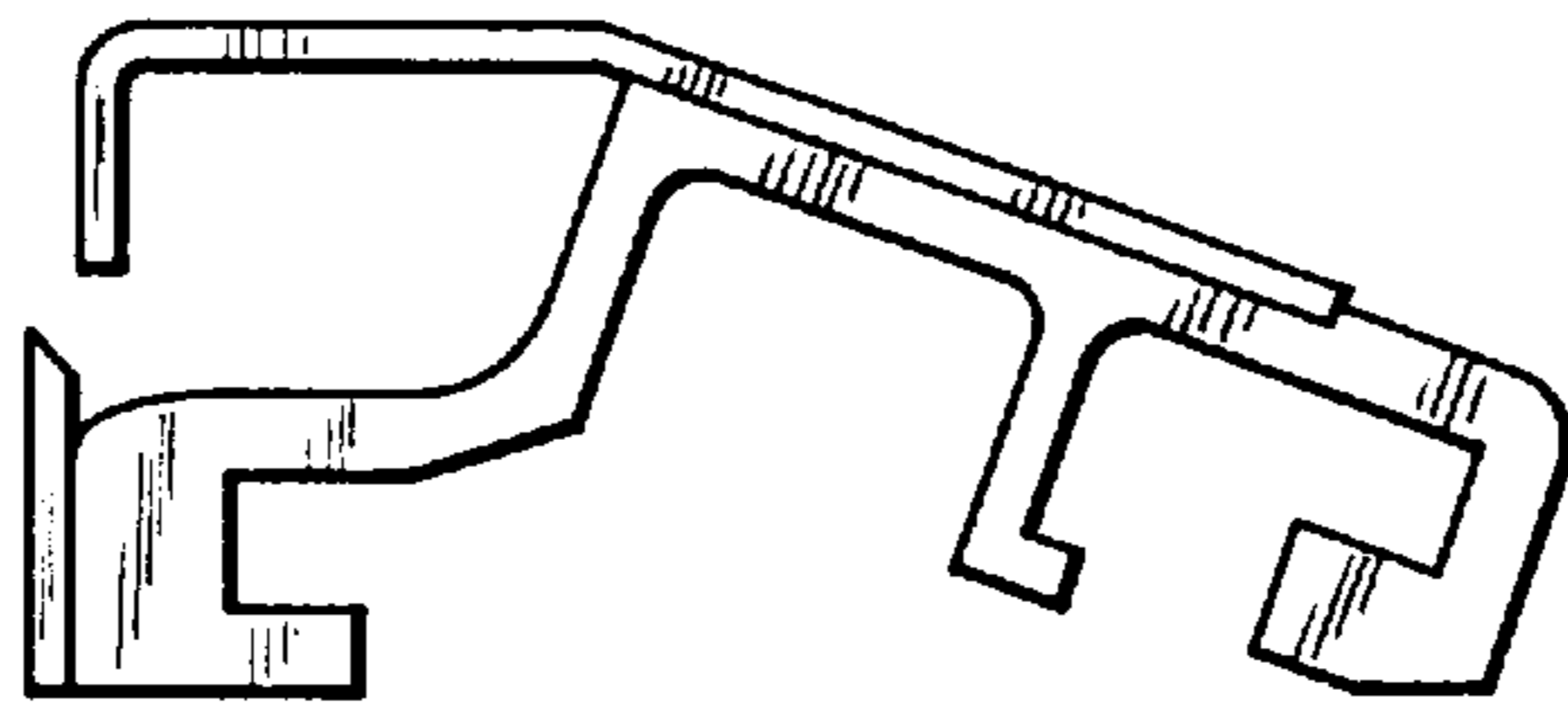


FIG. 5

