



US00D400006S

# United States Patent [19] Girvetz

[11] **Patent Number: Des. 400,006**

[45] **Date of Patent: \*\*\*Oct. 27, 1998**

[54] **PAGER-SHAPED PILL BOX WITH DRAWER**

[76] Inventor: **Nina Girvetz**, 2913 Third St. Unit 310, Santa Monica, Calif. 90405

[\*] Notice: The term of this patent shall not extend beyond the expiration date of Pat. No. D. 394,347.

[\*\*] Term: **14 Years**

[21] Appl. No.: **71,736**

[22] Filed: **Jun. 2, 1997**

[51] **LOC (6) Cl.** ..... **03-01**

[52] **U.S. Cl.** ..... **D3/215; D3/218**

[58] **Field of Search** ..... D3/215, 218, 203; D9/339, 341, 347, 418; 206/538, 532, 531, 828; 221/2, 3, 82, 4, 5, 6, 7; 340/309.4; 364/479; 368/10; D14/250, 251, 191, 192

[56] **References Cited**

**U.S. PATENT DOCUMENTS**

D. 232,523	8/1974	Nudell	.....	D3/203
D. 257,584	12/1980	Finkel	.....	D3/203 X
D. 329,945	10/1992	Benskin	.....	D3/218
D. 339,286	9/1993	Kelsey et al.	.....	D3/203
2,492,864	12/1949	Hermani	.....	D3/203 X
4,626,105	12/1986	Miller	.....	368/10
4,731,765	3/1988	Cole et al.	.....	368/10
4,901,852	2/1990	King	.....	D3/218 X
5,159,581	10/1992	Agans	.....	368/10
5,200,891	4/1993	Kehr et al.	.	
5,289,157	2/1994	Rudick et al.	.	
5,412,372	5/1995	Parkhurst et al.	.	
5,573,109	11/1996	Isacson	.	
5,602,802	2/1997	Leigh-Spencer et al.	.	
5,609,268	3/1997	Shaw	.....	221/2

*Primary Examiner*—Doris V. Coles  
*Assistant Examiner*—Catherine R. Oliver  
*Attorney, Agent, or Firm*—Darby & Darby

[57] **CLAIM**

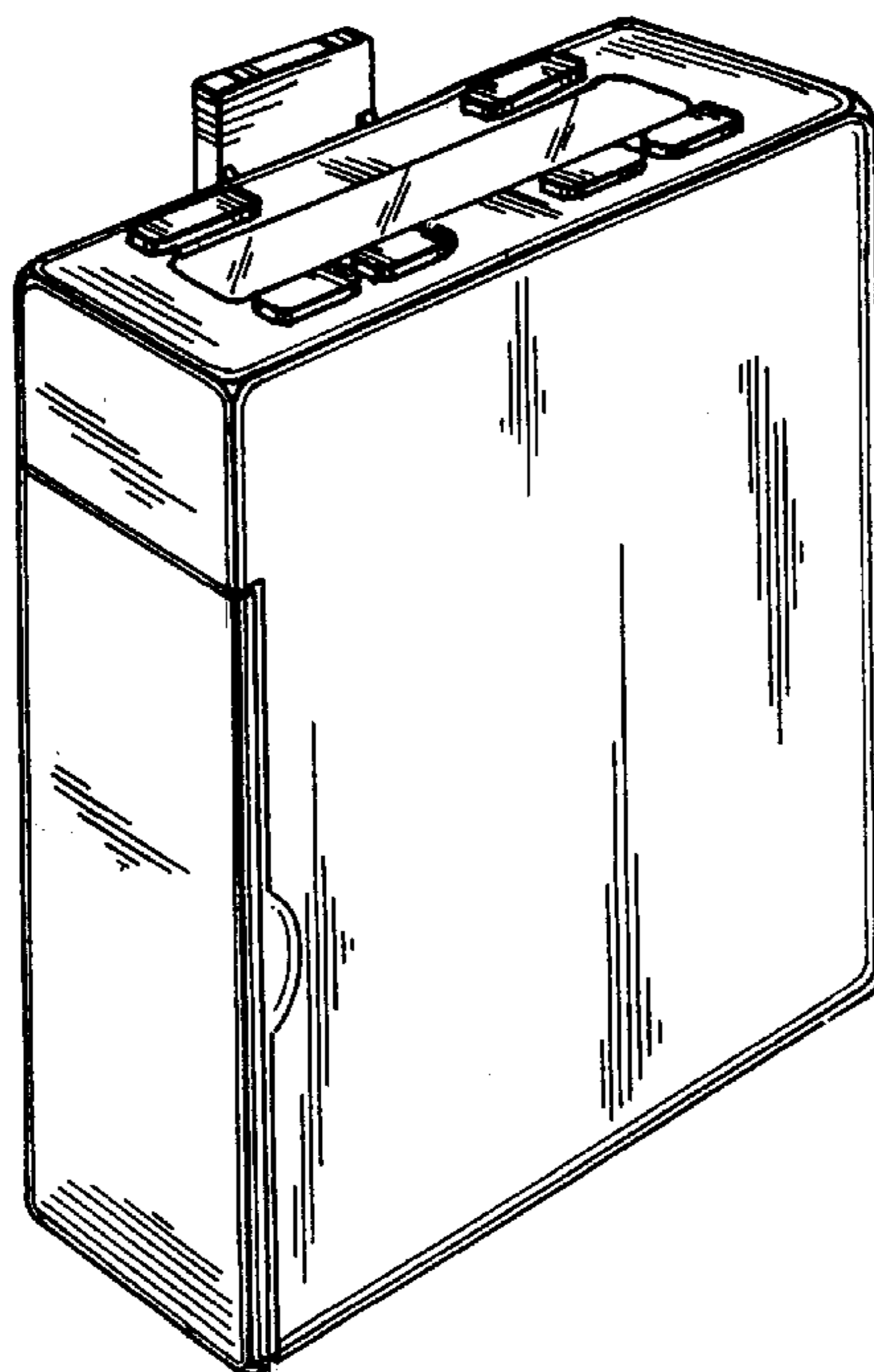
The ornamental design for a pager-shaped pill box with drawer, as shown and described.

**DESCRIPTION**

FIG. 1 is a front perspective view of a pager-shaped pill box with drawer having an access door in a closed position; FIG. 2 is a front elevational view thereof; FIG. 3 is a right side elevational view thereof; FIG. 4 is a left side elevational view thereof; FIG. 5 is a rear elevational view thereof; FIG. 6 is a top plan view thereof illustrating a prominent display screen; FIG. 7 is a bottom plan view thereof; FIG. 8 is a front perspective view of a pager-shaped pill box with drawer having the access door in an open position and illustrating a drawer in an open state, removed from the pager-shaped box; FIG. 9 is a front perspective view of FIG. 8, with broken lines removed for clarity; FIG. 10 is a front perspective view of a second embodiment; FIG. 11 is a front elevational view thereof; FIG. 12 is a right side elevational view thereof; FIG. 13 is a left side elevational view thereof; FIG. 14 is a rear elevational view thereof; FIG. 15 is a top plan view thereof; FIG. 16 is front perspective view thereof; and, FIG. 17 is a front perspective view of FIG. 16, with broken lines removed for clarity.

The broken lines showing environment in FIGS. 8 and 16 are for illustrative purposes only and form no part of the claimed design.

**1 Claim, 8 Drawing Sheets**



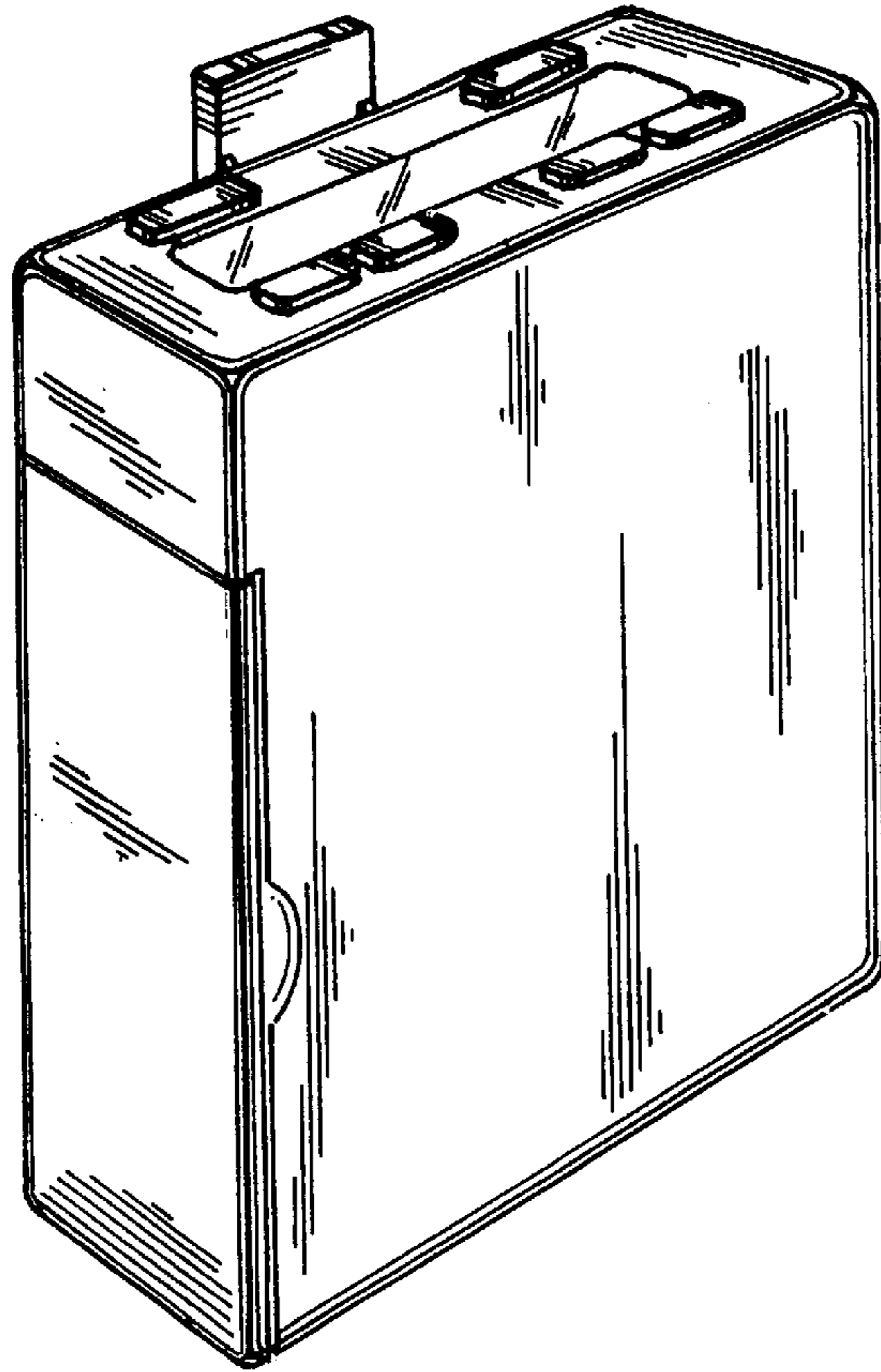


FIG. 1

FIG. 2

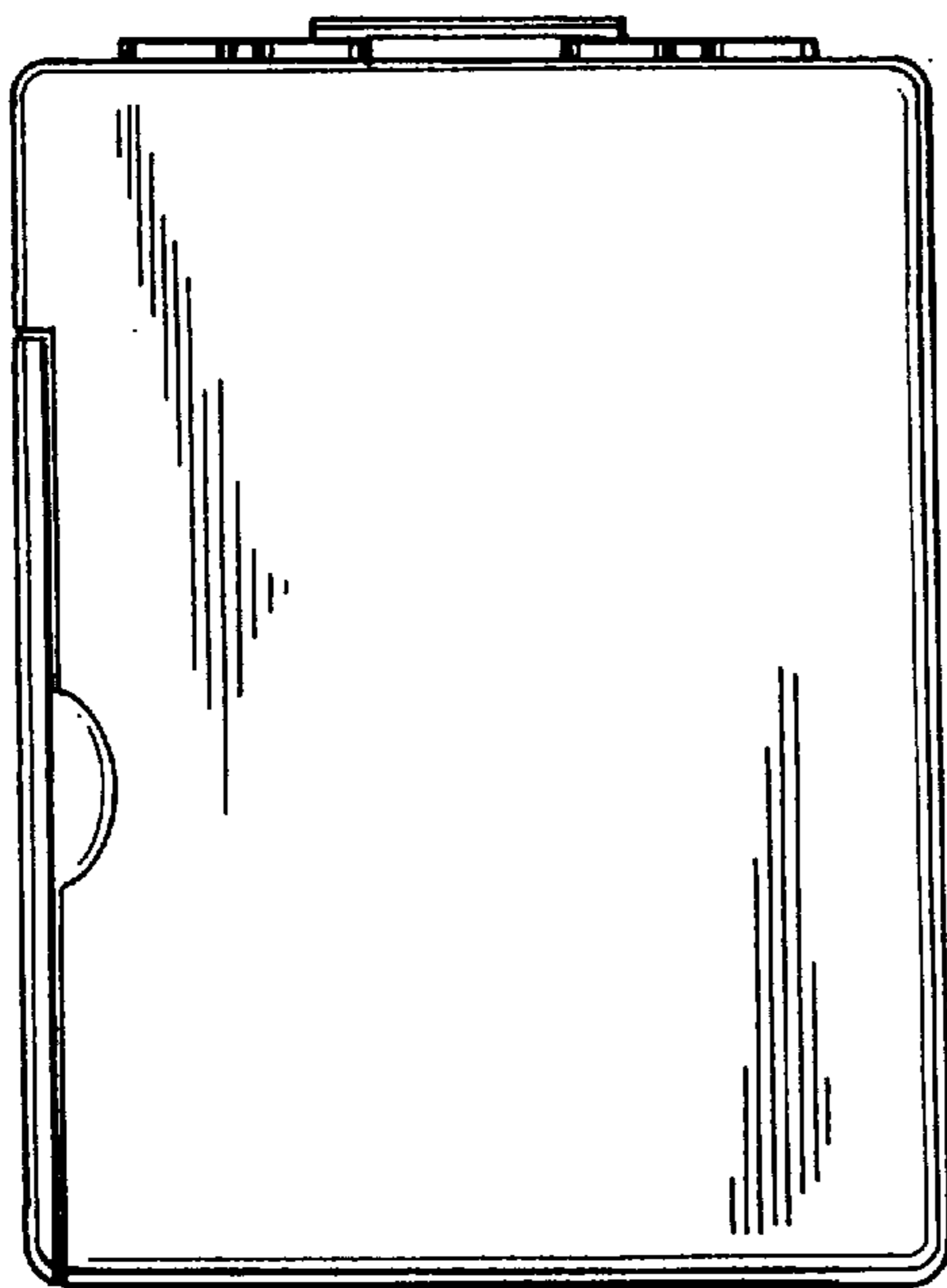
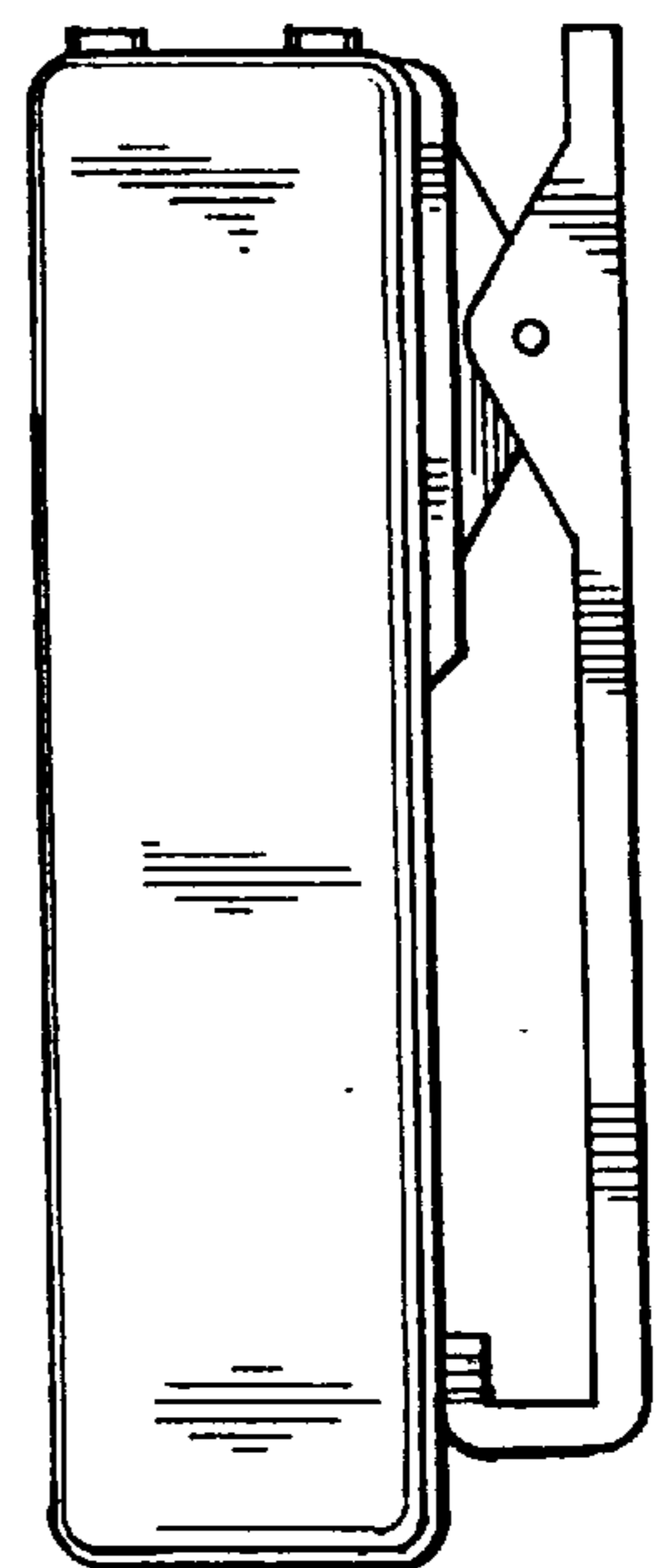
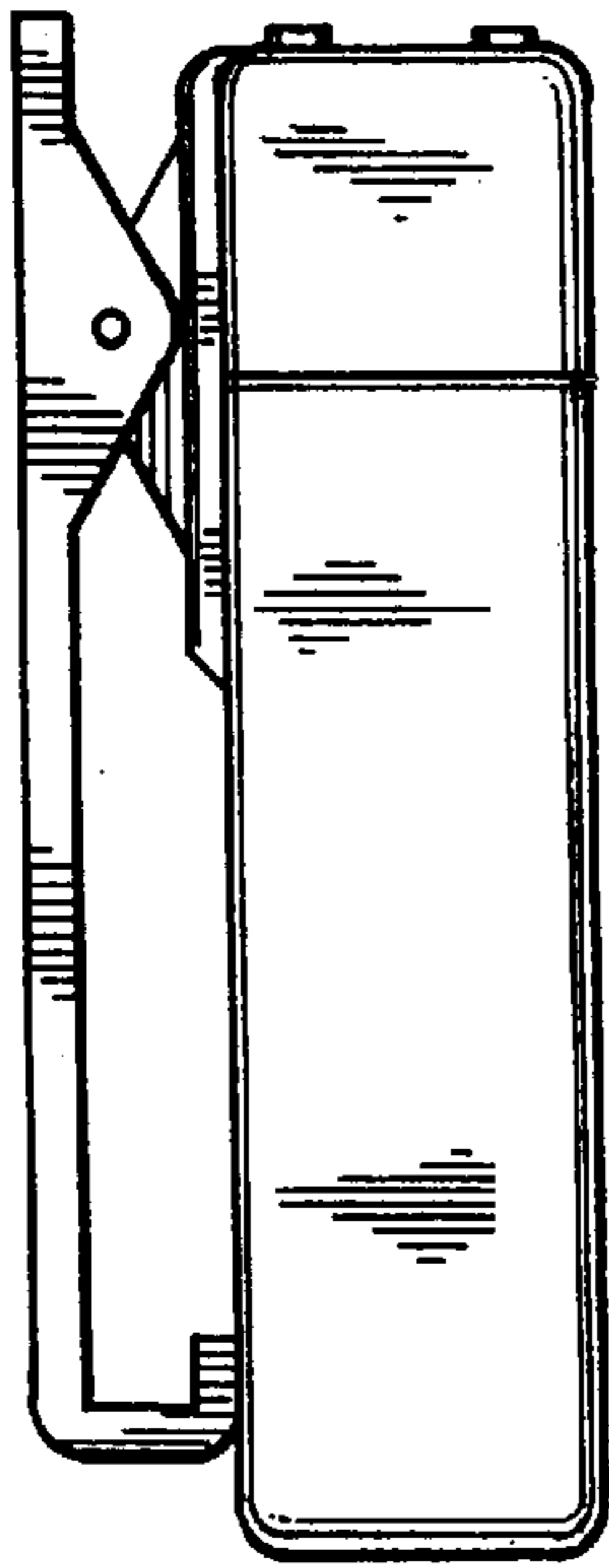


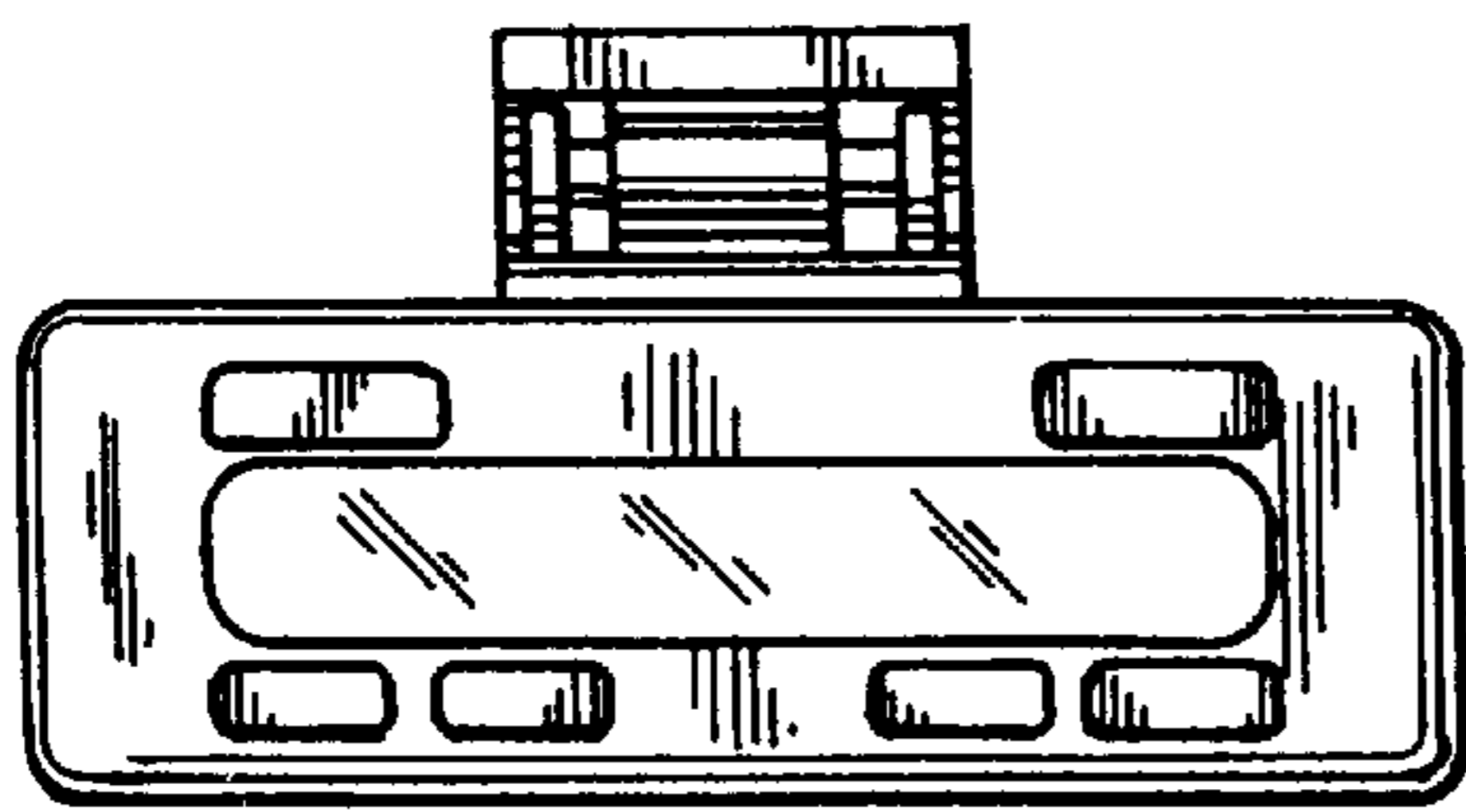
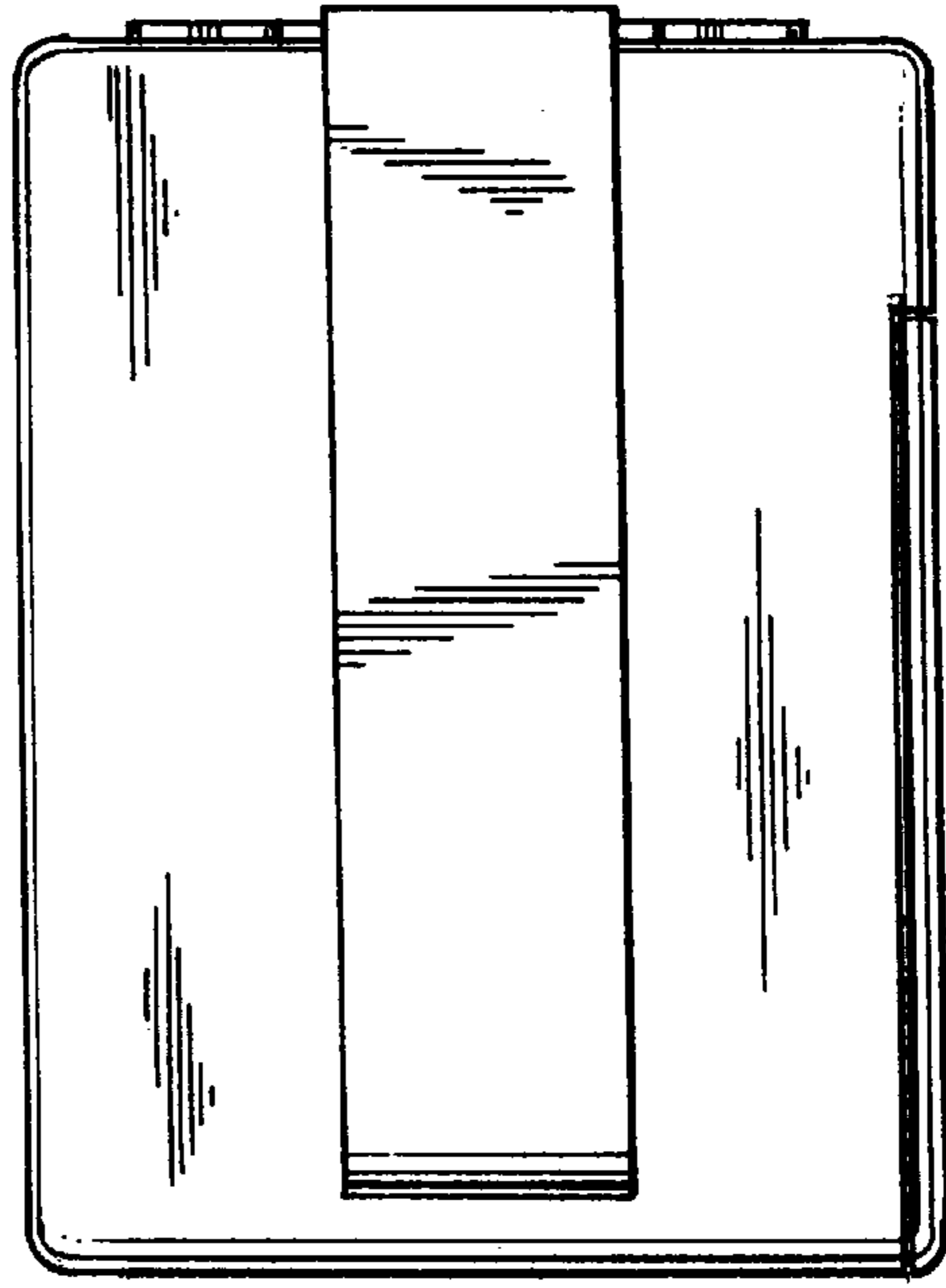
FIG. 3



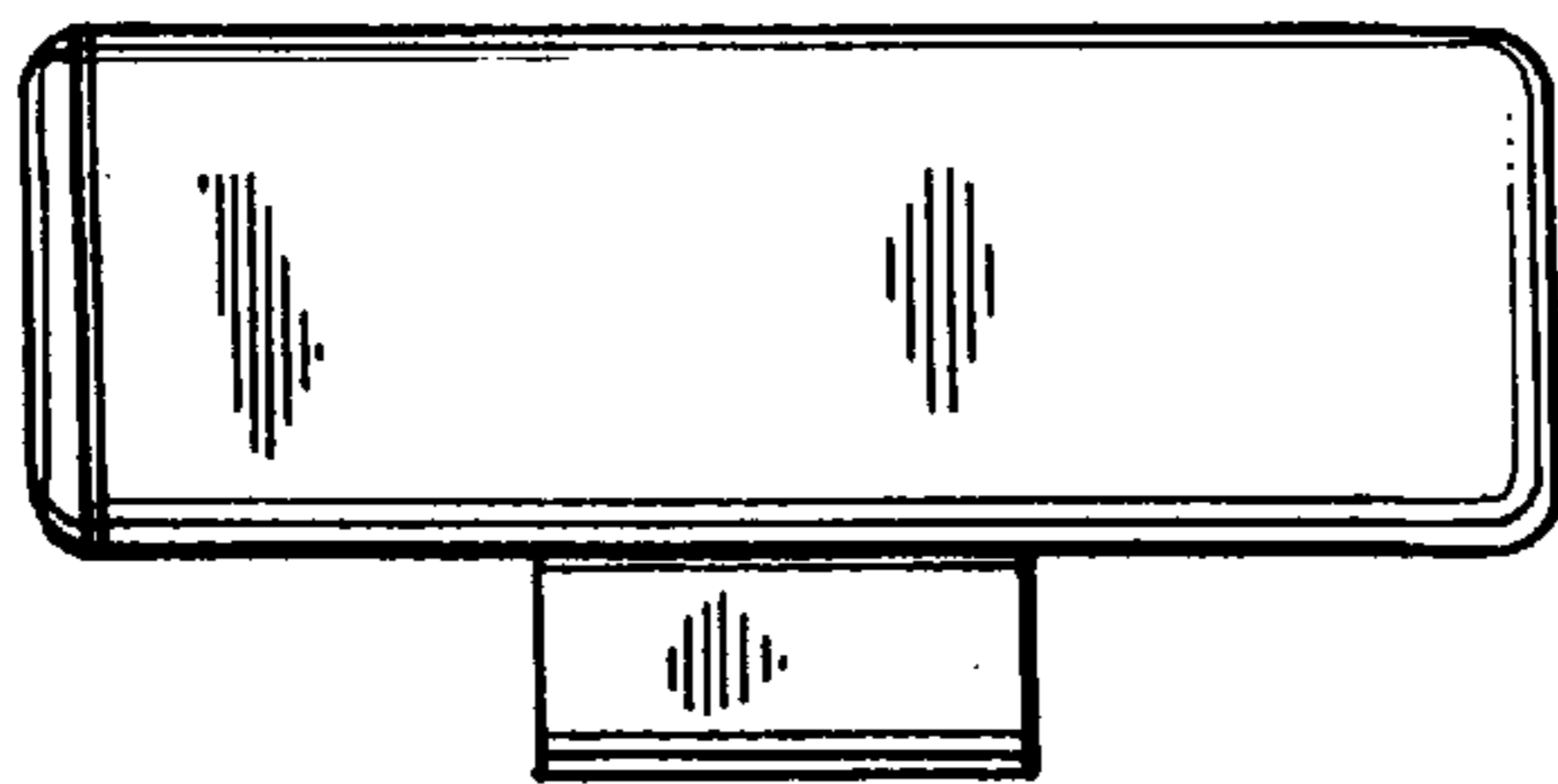
**FIG. 4**



**FIG. 5**



**FIG. 6**



**FIG. 7**

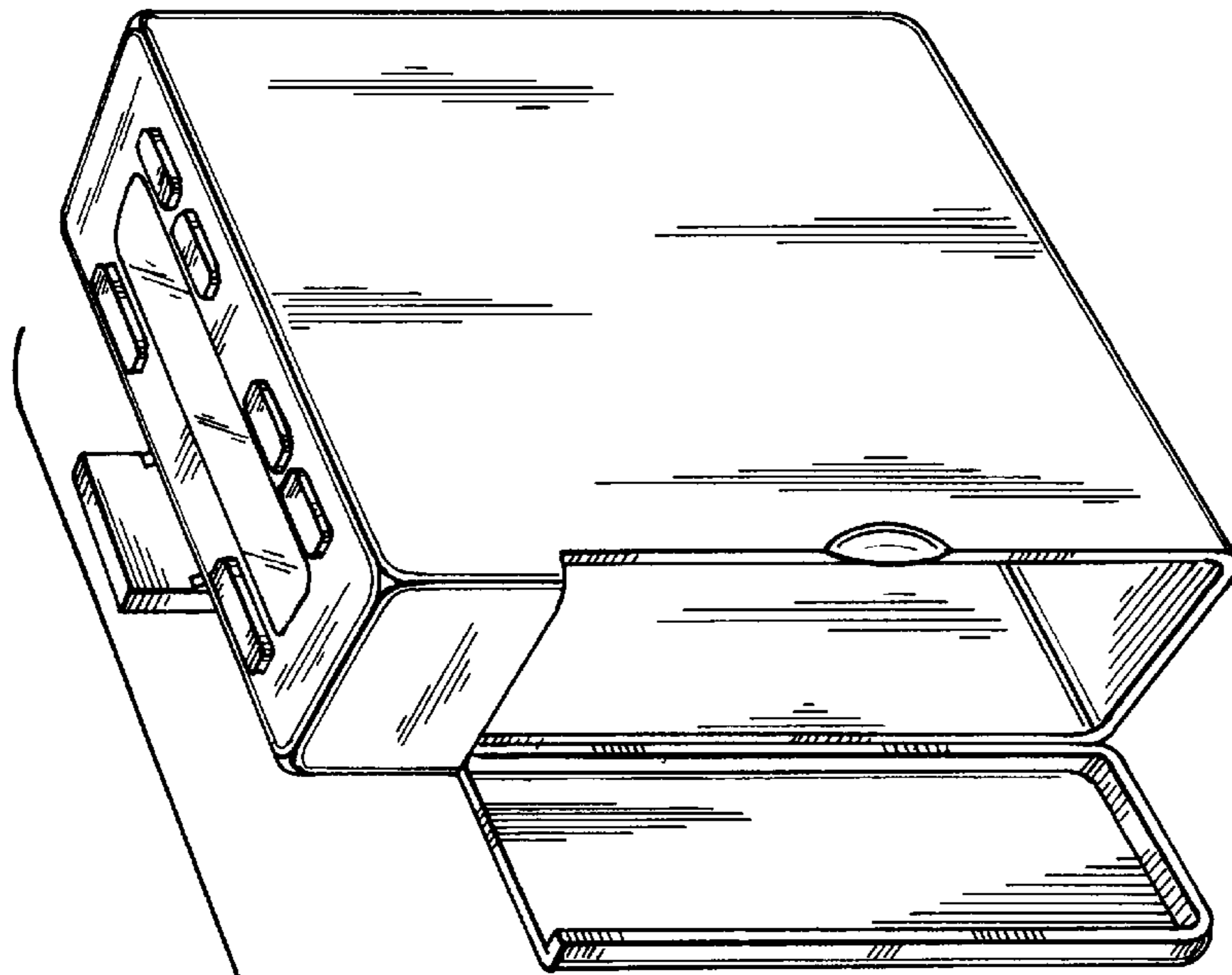
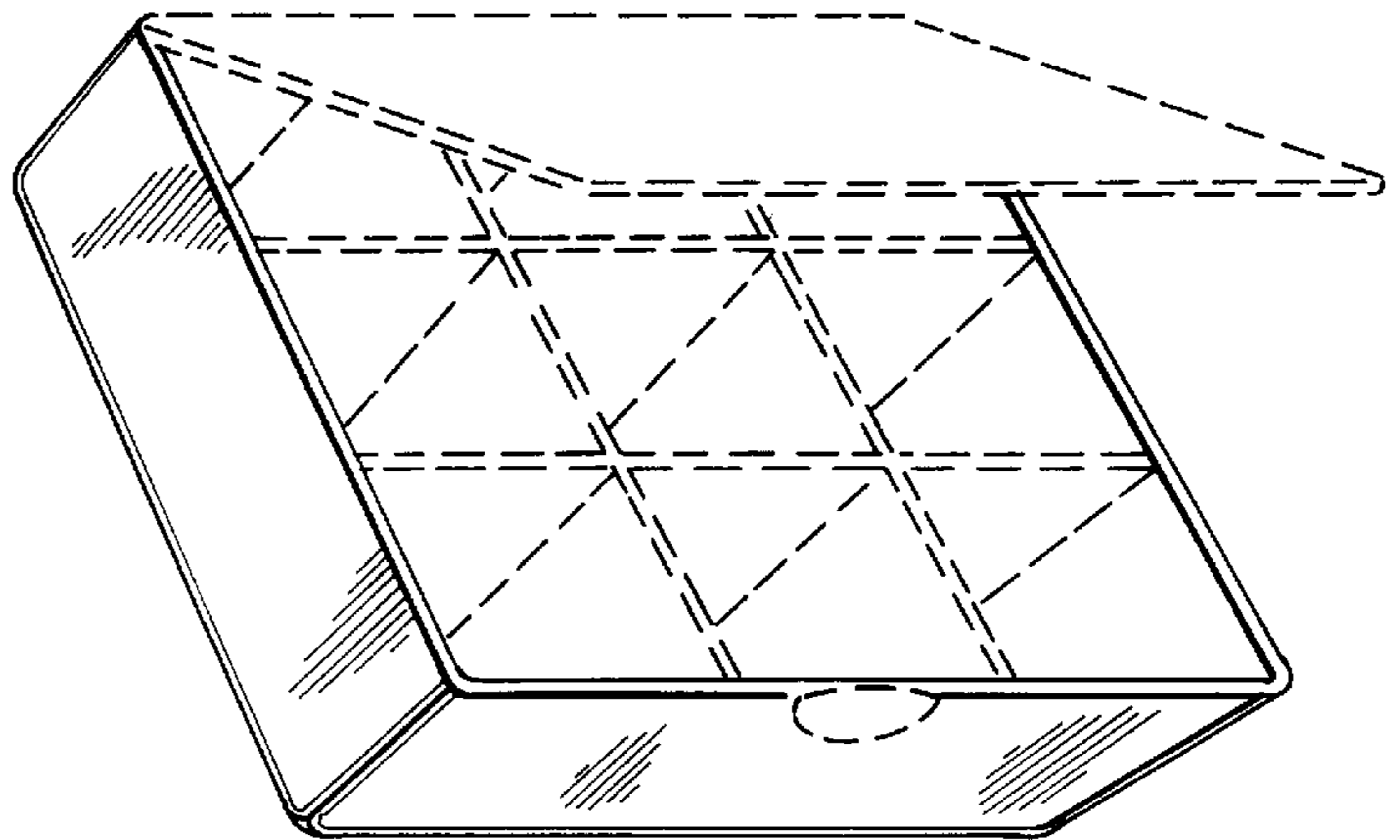


FIG. 8



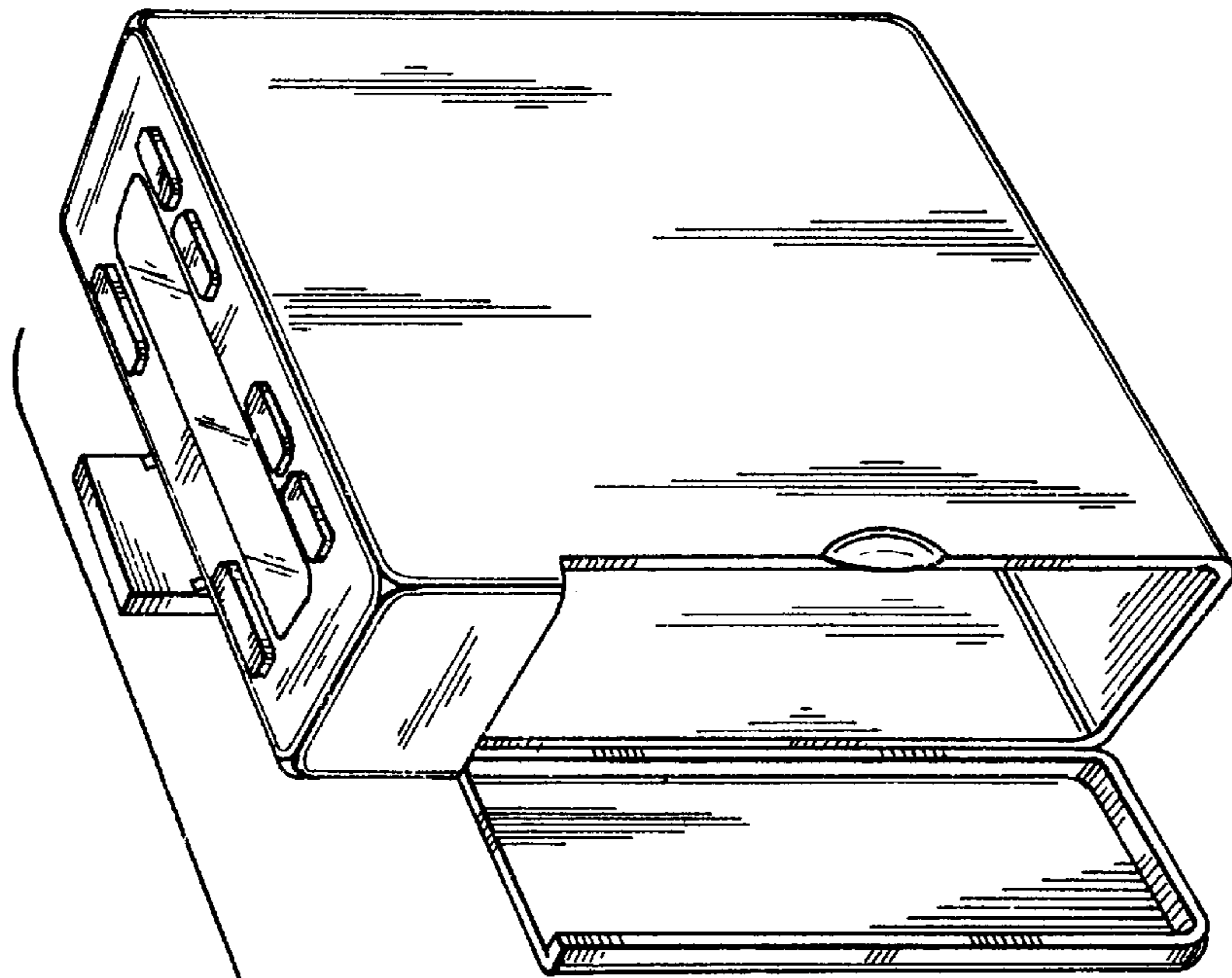
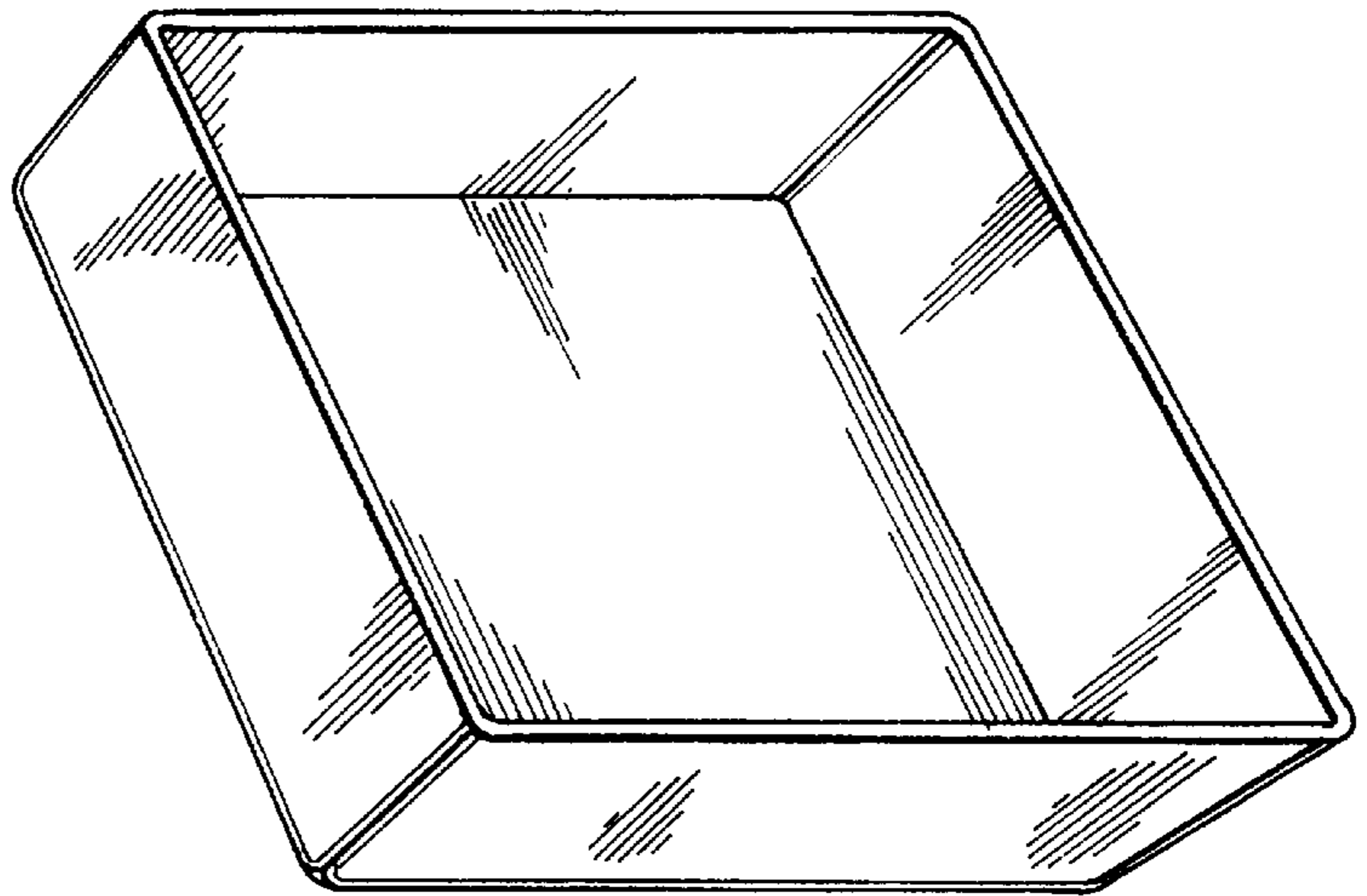


FIG. 9



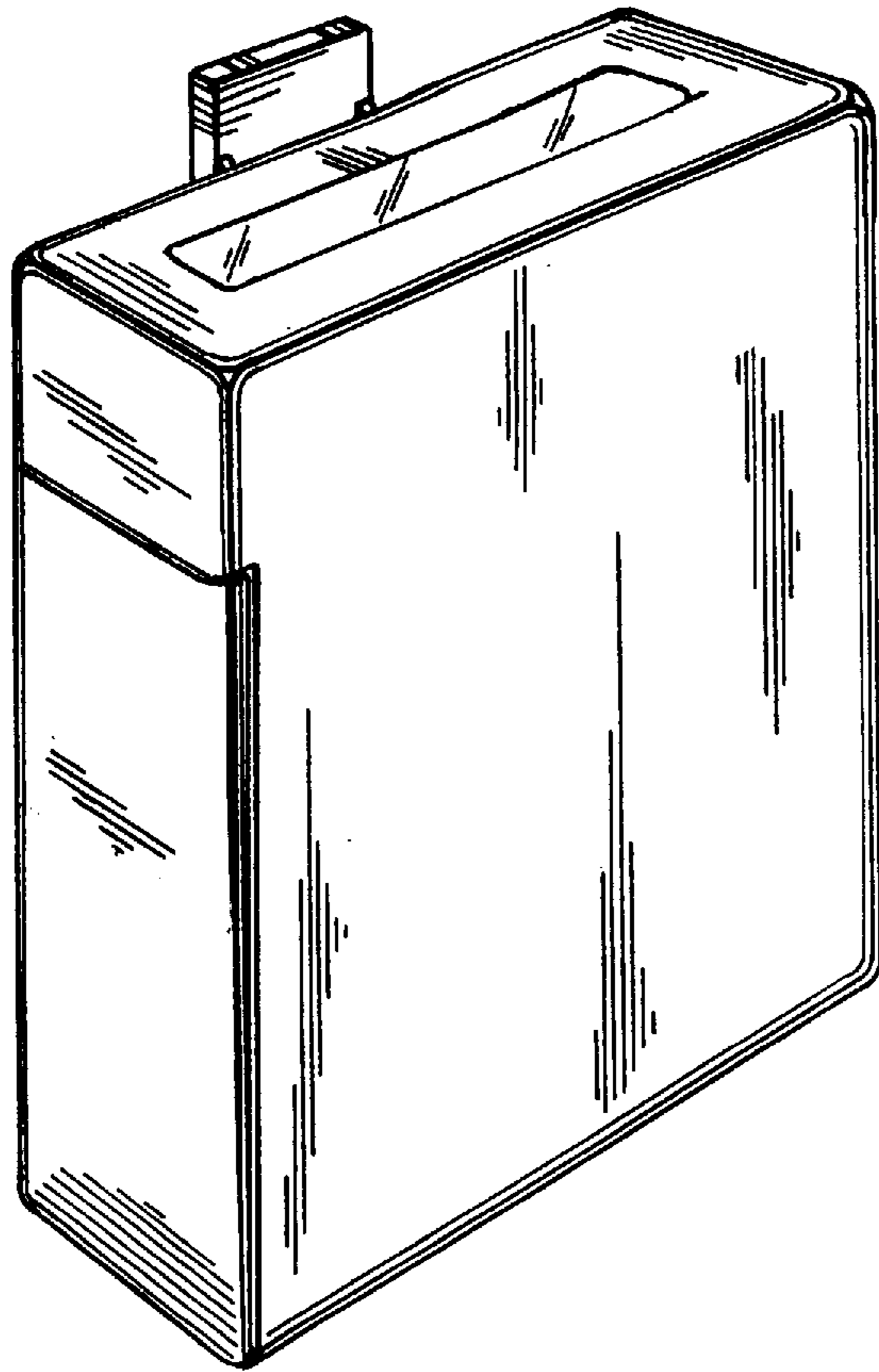


FIG. 10

FIG. 11

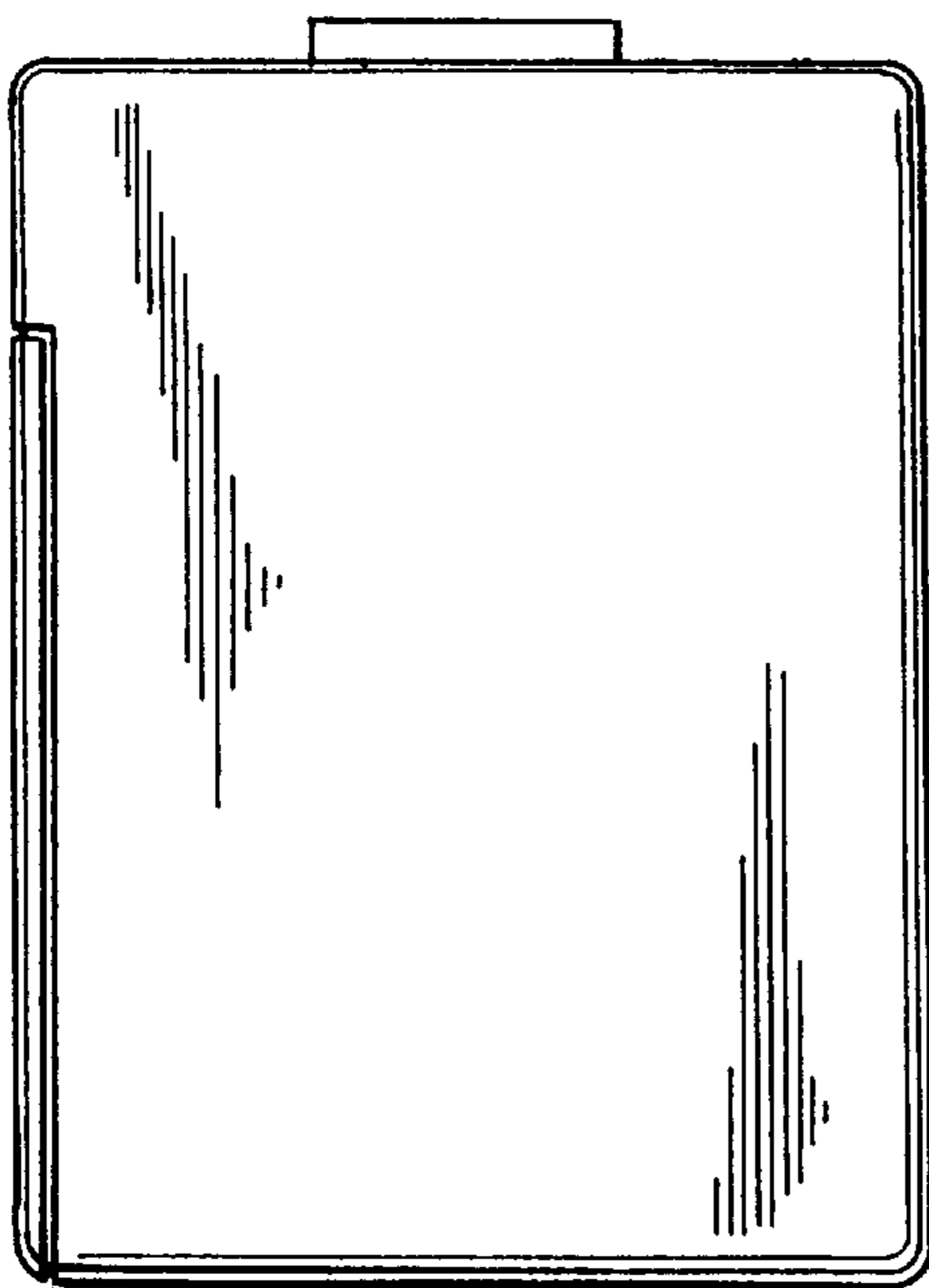


FIG. 12

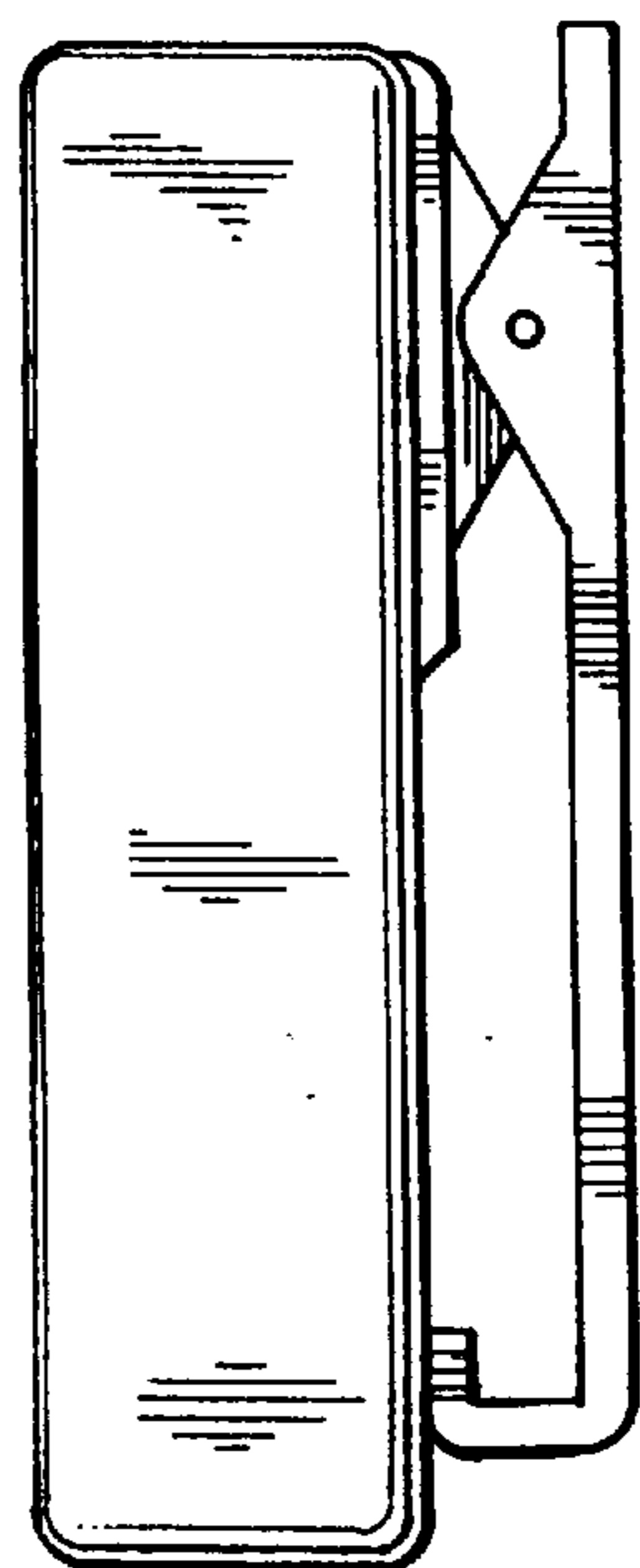


FIG. 13

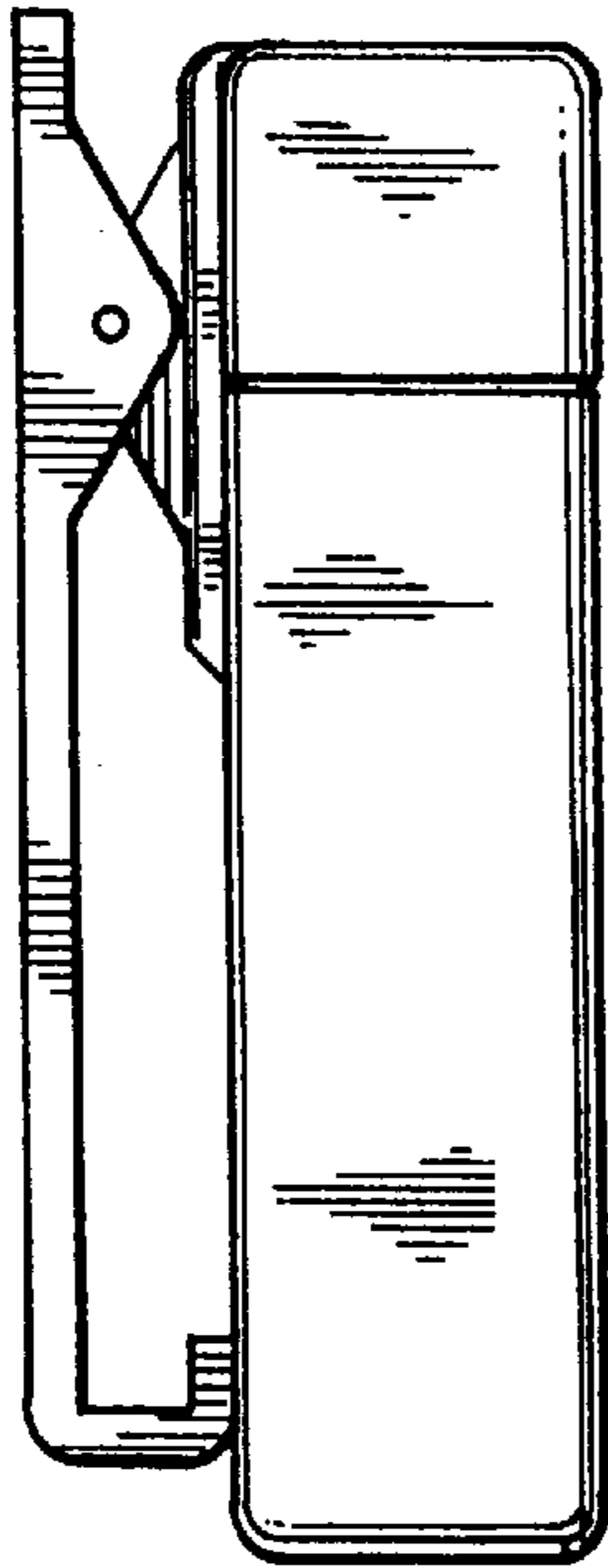


FIG. 14

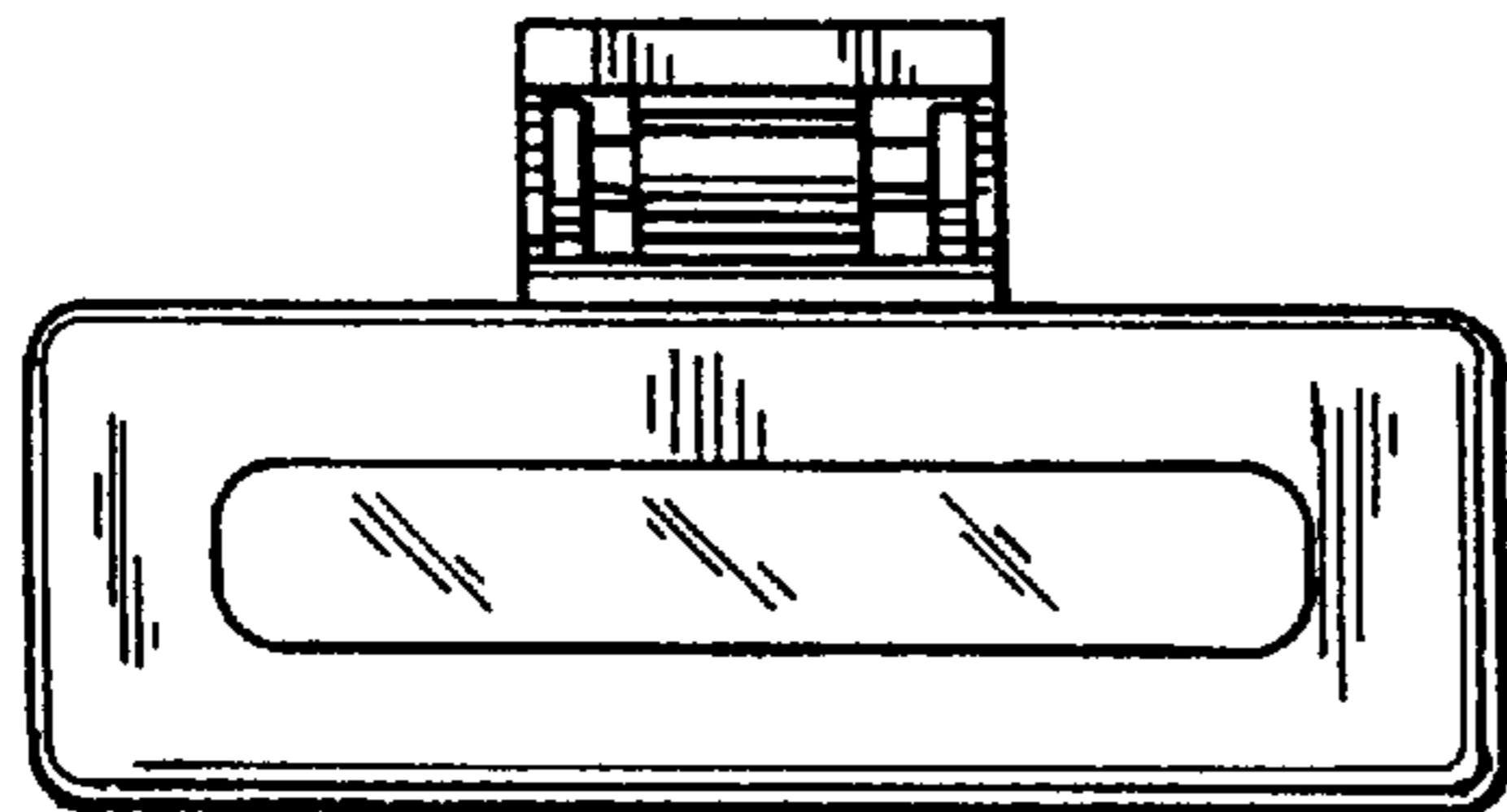
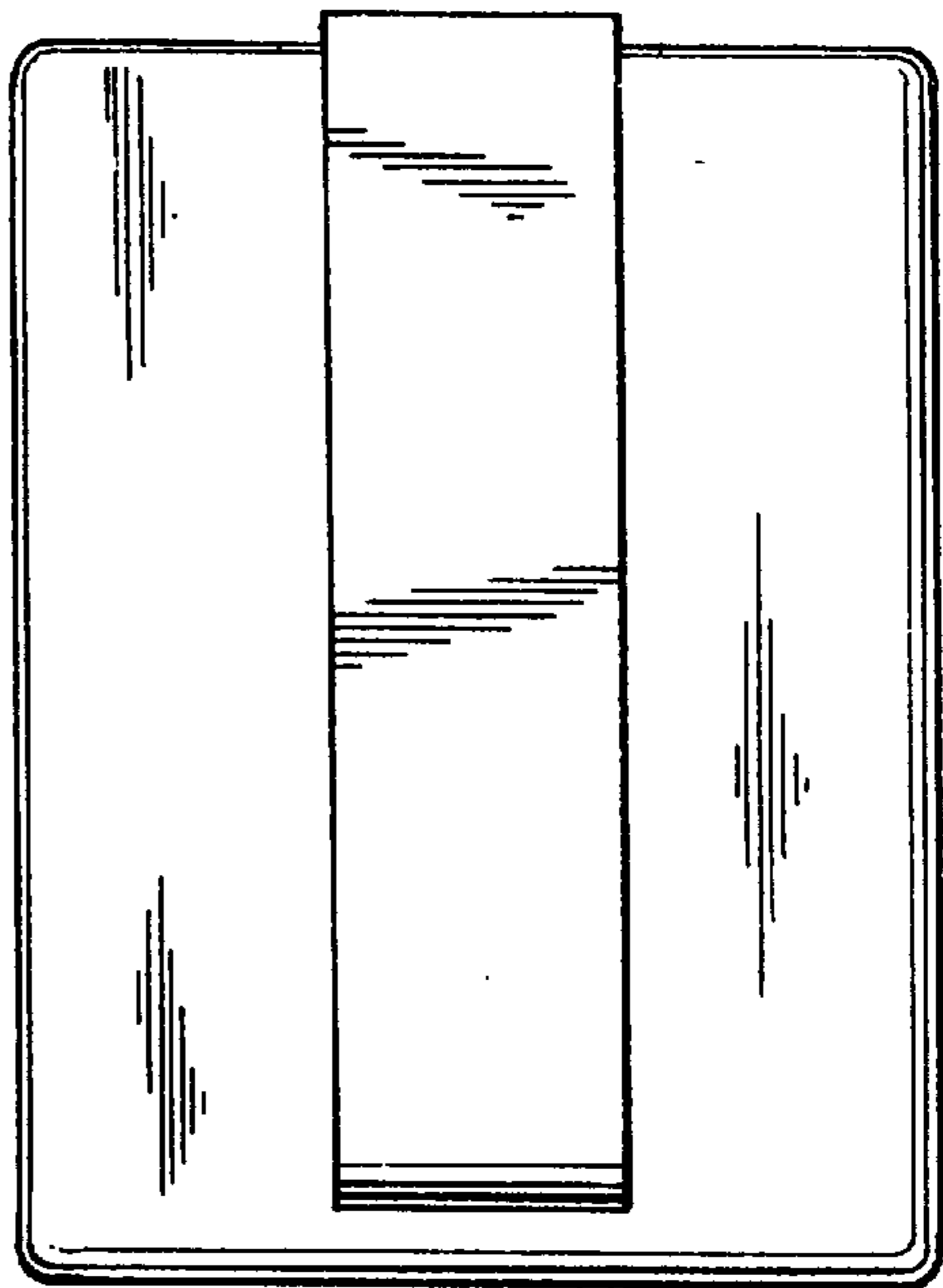


FIG. 15

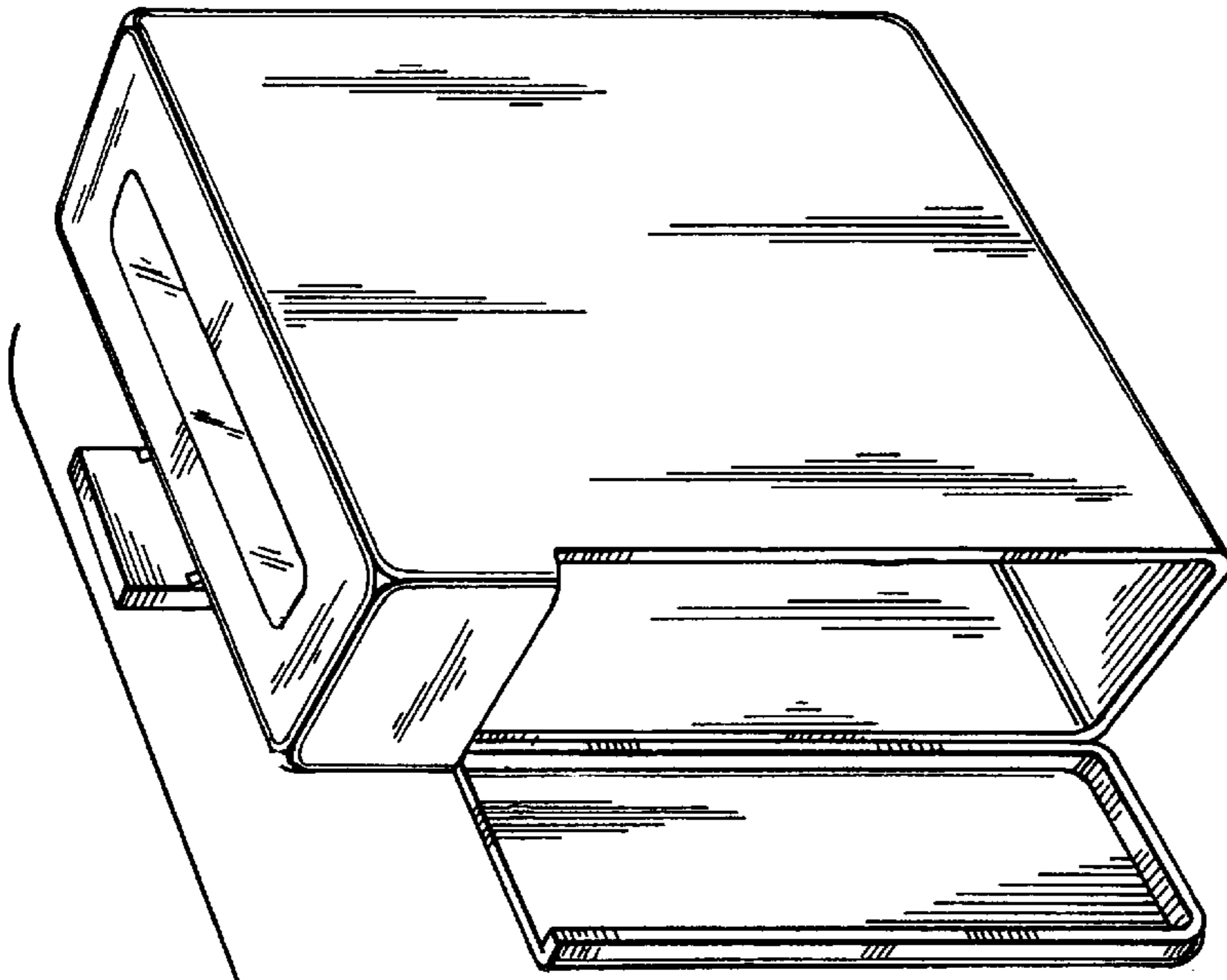


FIG. 16

