



US00D399990S

# United States Patent [19]

Parson et al.

[11] **Patent Number: Des. 399,990**

[45] **Date of Patent: \*\*Oct. 27, 1998**

[54] **HAT**

[76] Inventors: **Nathan W. Parson**, 15507 Doris, Livonia, Mich. 48154; **James E. Waring**, 31721 Staman Cir., Farmington Hills, Mich. 48336

[\*\*] Term: **14 Years**

[21] Appl. No.: **77,251**

[22] Filed: **Sep. 30, 1997**

[51] **LOC (6) Cl.** ..... **02-03**

[52] **U.S. Cl.** ..... **D2/869**

[58] **Field of Search** ..... D2/865, 866, 868, D2/869, 876, 873; 2/171, 195.1, 195.12; 180/291; D12/82, 86, 93, 95

[56] **References Cited**

**U.S. PATENT DOCUMENTS**

- D. 357,344 4/1995 Norton ..... D2/869
- D. 365,431 12/1995 Morrissey et al. .... D2/869

- D. 369,015 4/1996 Griffin, Jr. .... D2/869
- D. 373,239 9/1996 McClean ..... D2/869
- D. 391,039 2/1998 Mongreon ..... D2/869
- 4,991,235 2/1991 Warner ..... D2/873 X
- 5,277,270 1/1994 Hasegawa ..... 180/291
- 5,437,344 8/1995 Wada ..... 180/291

*Primary Examiner*—Paula A. Mortimer  
*Attorney, Agent, or Firm*—Vanophem Meehan & Vanophem, P.C.

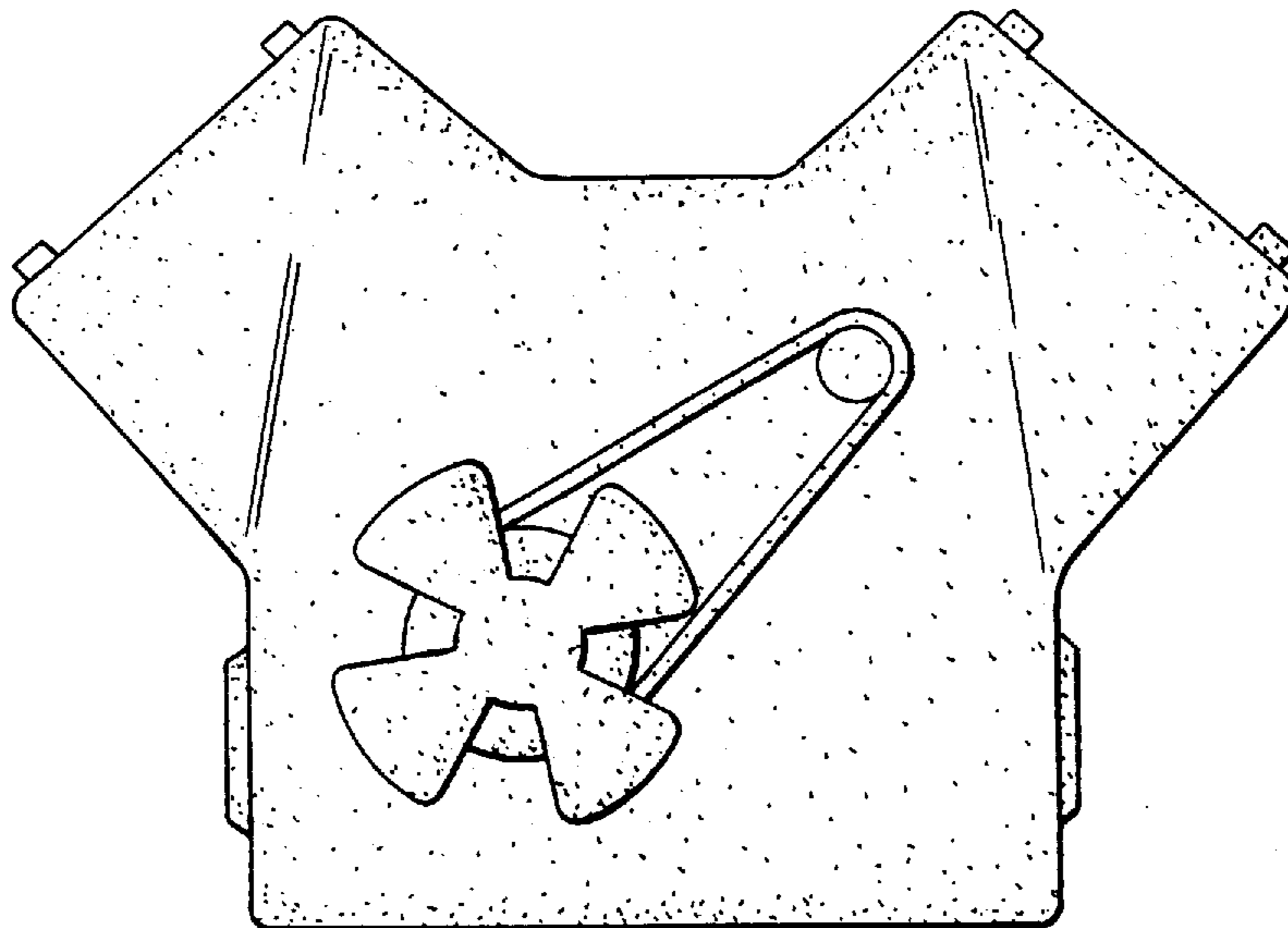
[57] **CLAIM**

The ornamental design for a hat, as shown and described.

**DESCRIPTION**

FIG. 1 is a front view of a hat showing our new design; FIG. 2 is a plan view thereof; FIG. 3 is a left side view thereof; FIG. 4 is a rear view thereof; FIG. 5 is a bottom view thereof; and, FIG. 6 is right side view thereof.

**1 Claim, 2 Drawing Sheets**



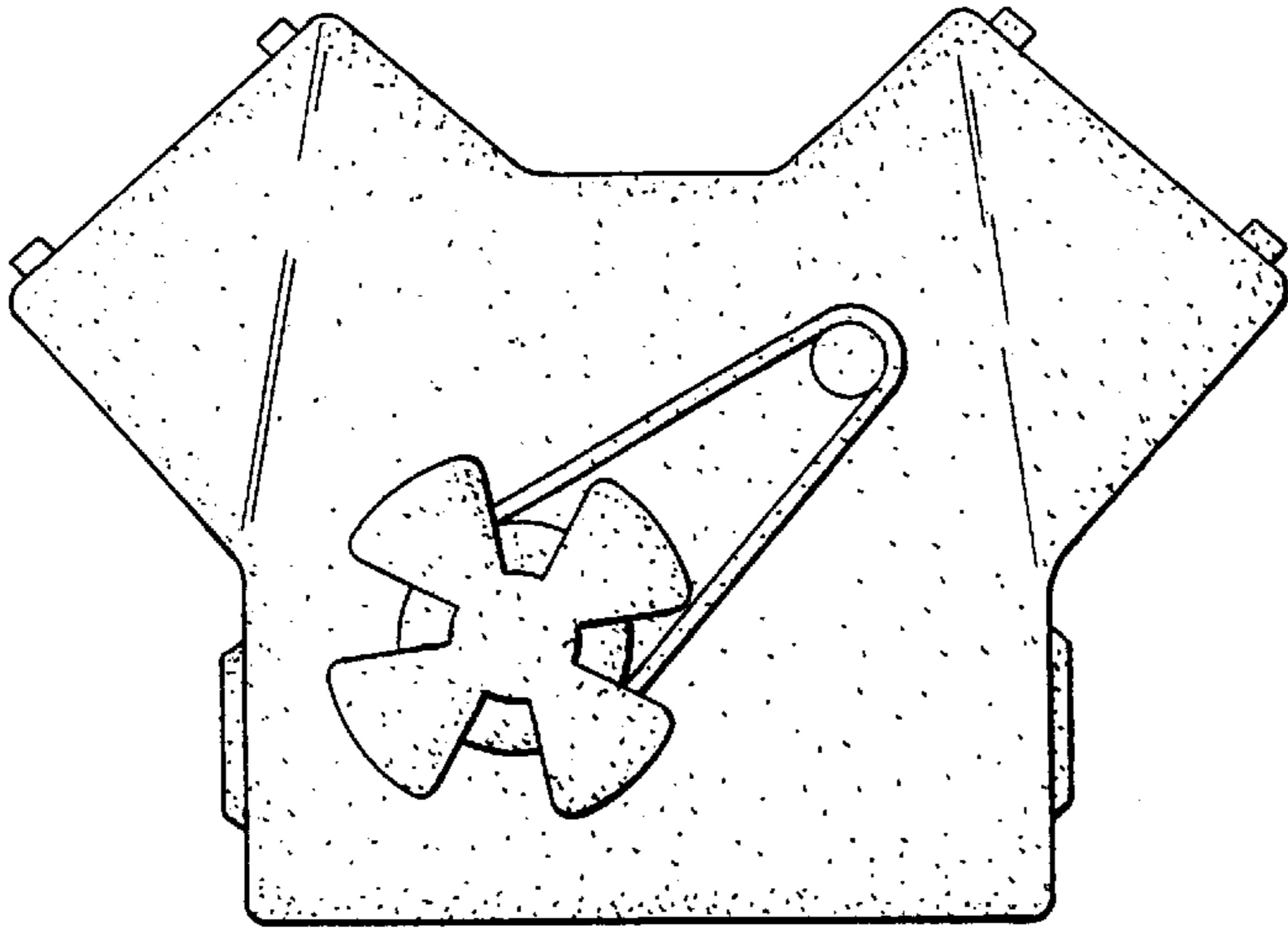


FIG - 1

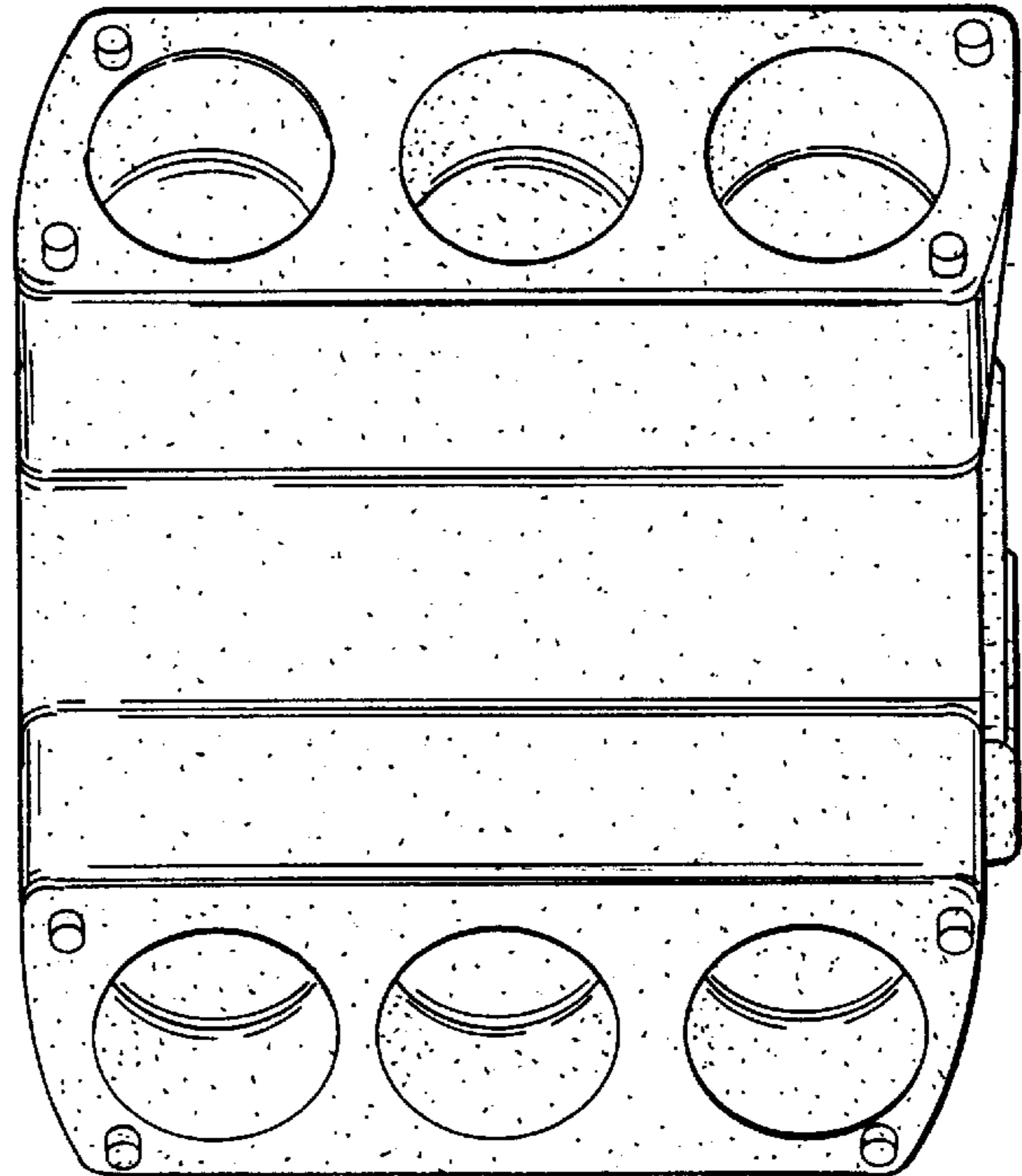


FIG - 2

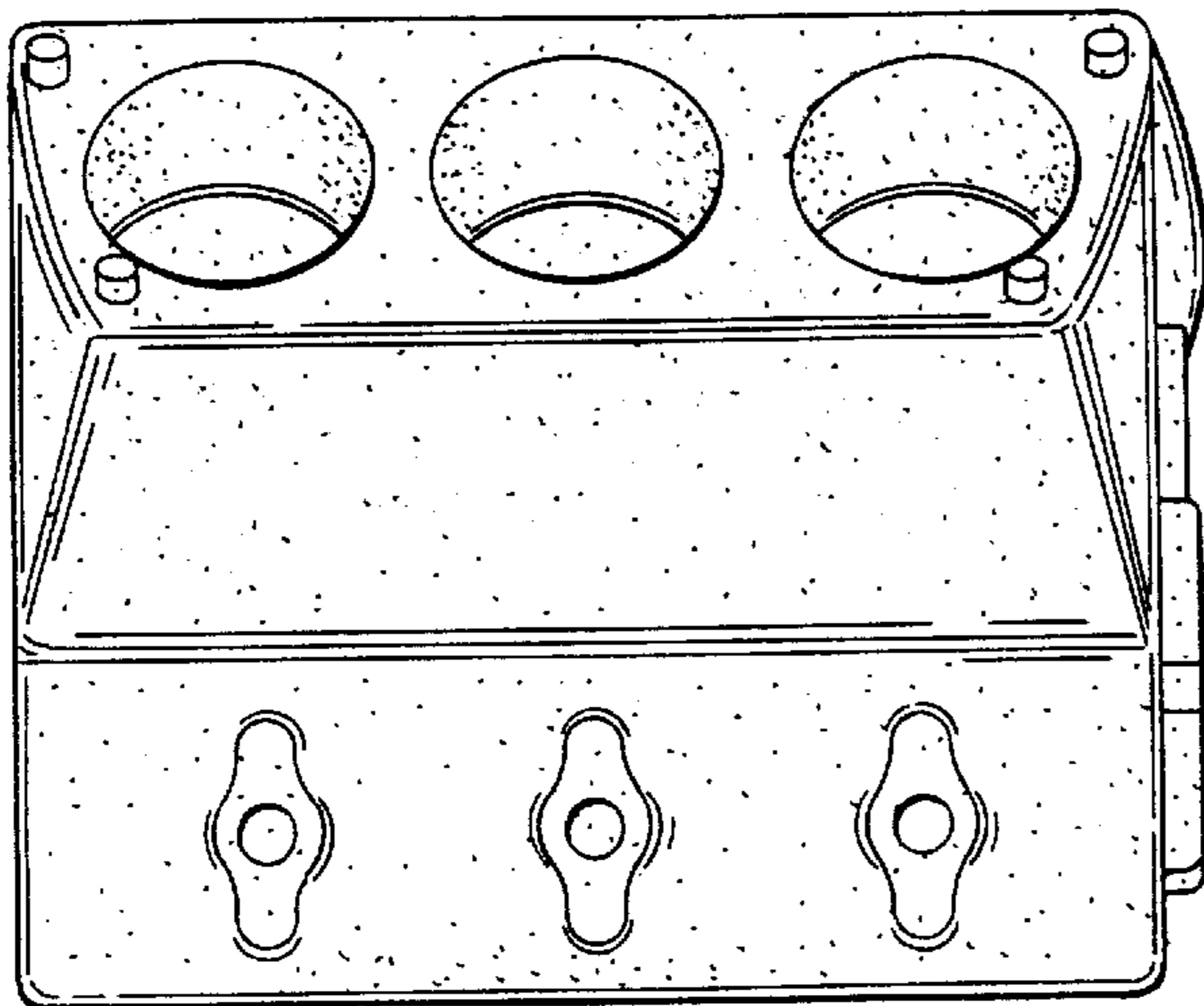


FIG - 3

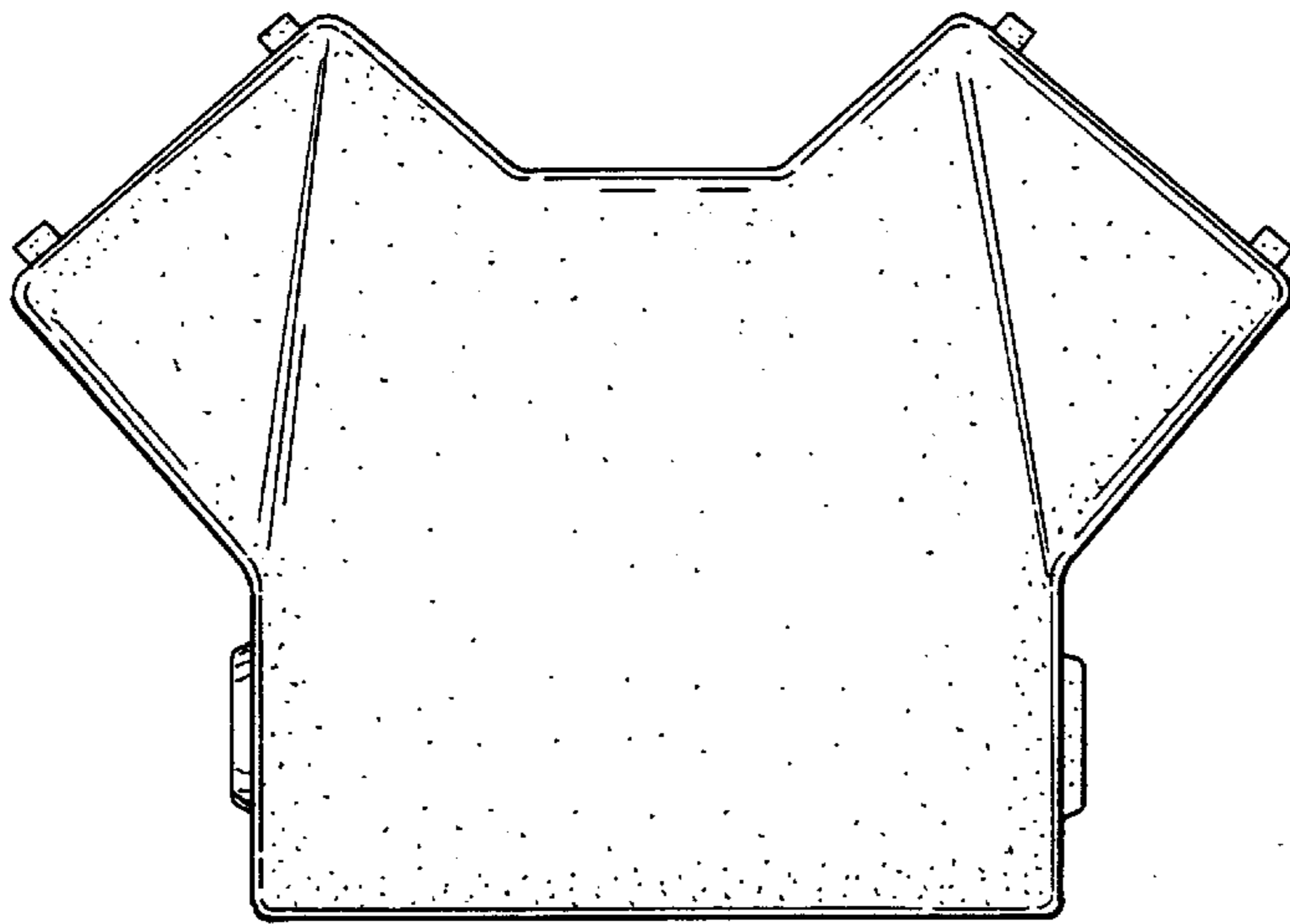


FIG - 4

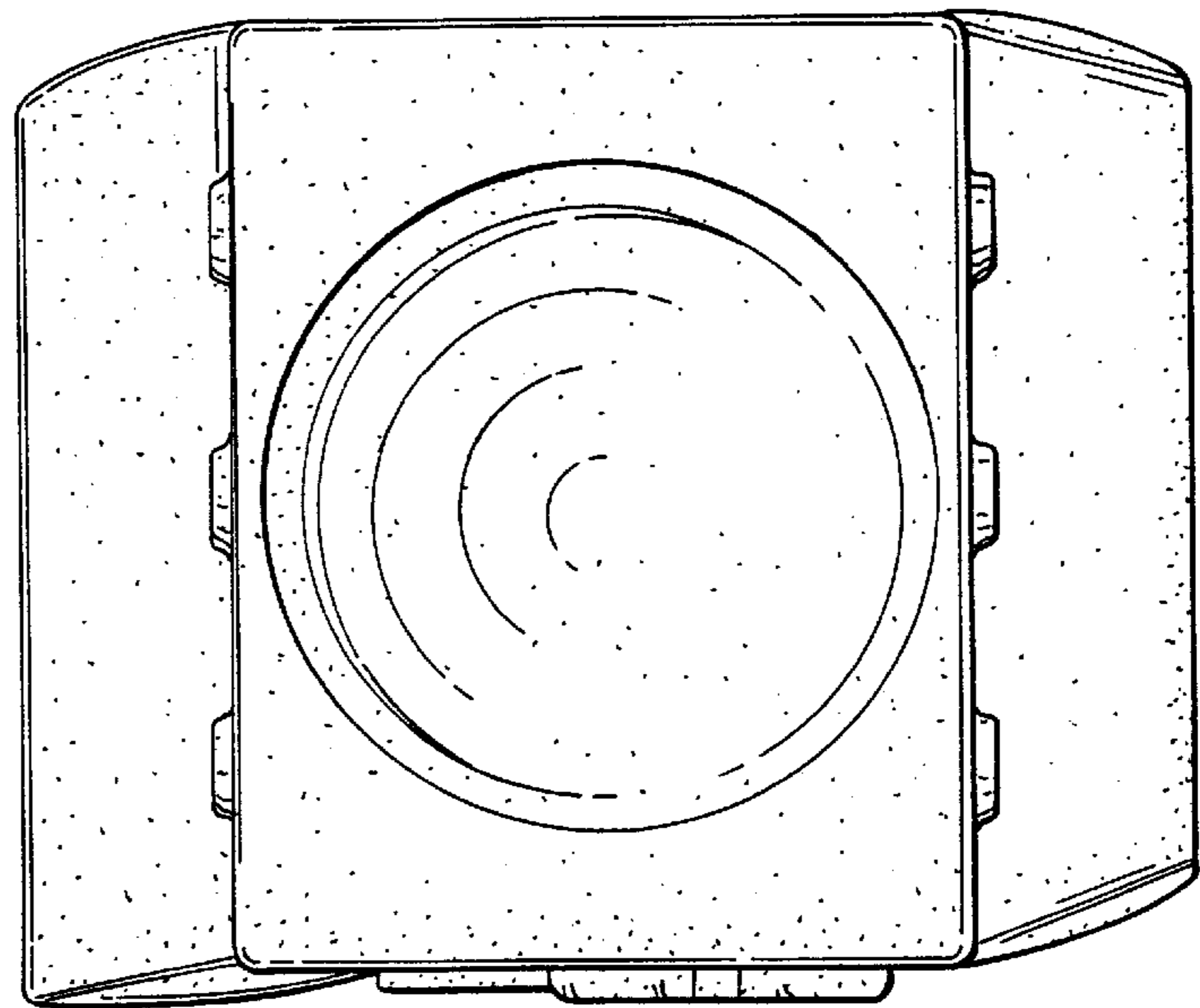


FIG - 5

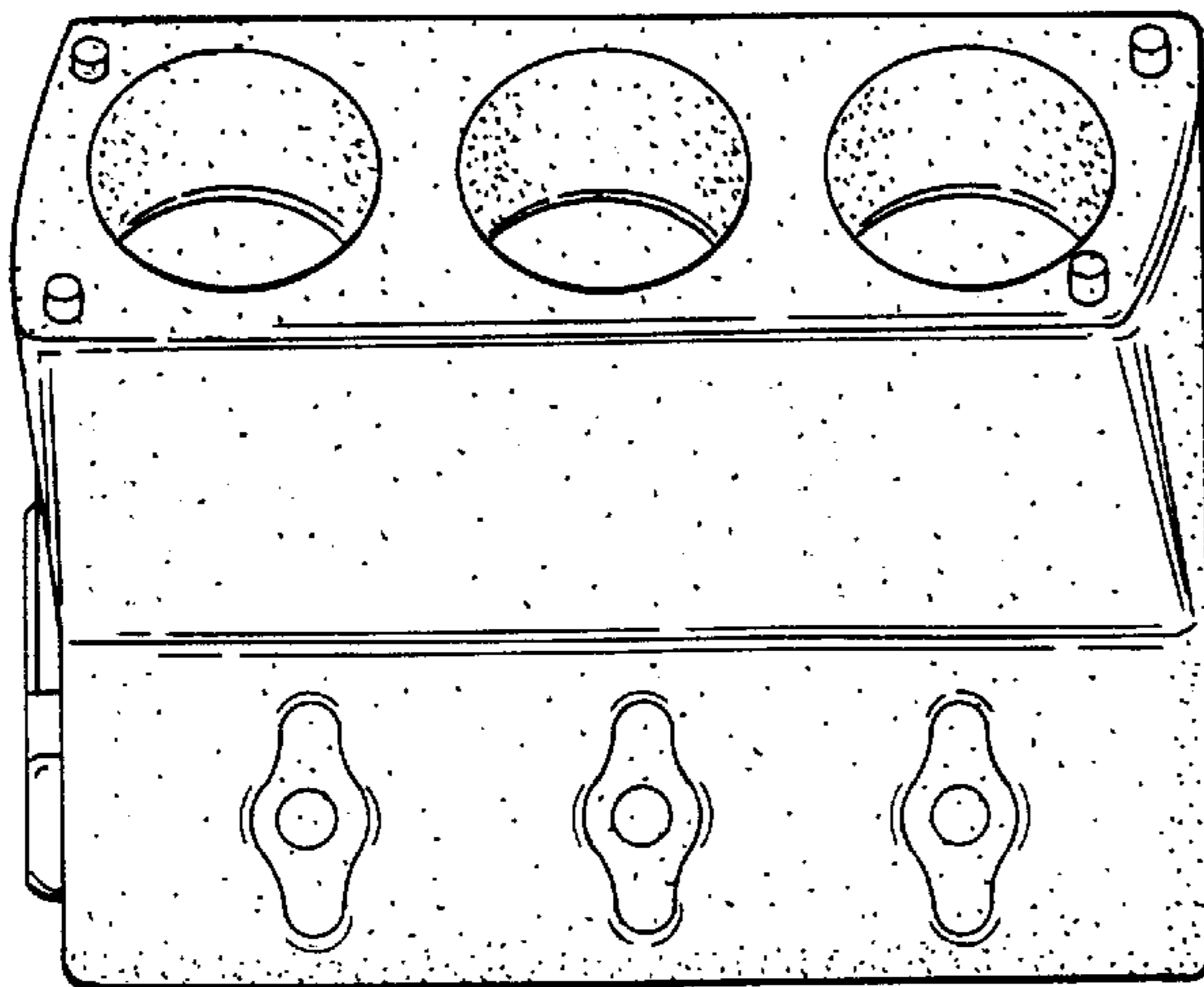


FIG - 6