



US00D399985S

United States Patent [19] Hui

[11] **Patent Number: Des. 399,985**

[45] **Date of Patent: **Oct. 27, 1998**

[54] **COMBINED CAR TRAY, MIRROR AND LIGHT DEVICE**
[75] Inventor: **Chi Ming Hui**, Tsuen Wan, Hong Kong
[73] Assignee: **Chi Bon Metal & Plastic Manufactory, Ltd.**, Tsuen Wan, Hong Kong

[**] Term: **14 Years**

[21] Appl. No.: **73,164**

[22] Filed: **Jul. 2, 1997**

[51] **LOC (6) Cl. 12-16**

[52] **U.S. Cl. D12/419**

[58] **Field of Search** D12/191, 417, D12/416, 415, 419; D6/308; D19/78; 296/97.1, 97.2-97.5; 359/838, 841-844, 849-850, 862, 868; 362/143-144, 137; 224/312, 400, 539; D7/602, 619-620, 701; D28/64.1, 64.3

[56] **References Cited**

U.S. PATENT DOCUMENTS

- D. 218,214 7/1970 Goldman et al. D12/191
- D. 278,996 5/1985 Cheung D12/191
- D. 286,036 10/1986 Langensiepen D12/191
- D. 300,919 5/1989 Svensson D12/191
- D. 304,712 11/1989 Cheung D12/191

- D. 306,797 3/1990 Charet et al. D12/419
- D. 317,430 6/1991 Dowd et al. D12/191
- D. 328,730 8/1992 Kapp D12/419
- D. 354,472 1/1995 Tong D12/191
- D. 359,862 7/1995 Rousch D12/419 X
- D. 365,074 12/1995 Tong D12/191
- 4,521,051 6/1985 Cody et al. 296/97.1
- 5,442,530 8/1995 Viertel et al. 362/137

Primary Examiner—James Gandy
Assistant Examiner—Stacia Sinuik
Attorney, Agent, or Firm—Salter & Michaelson

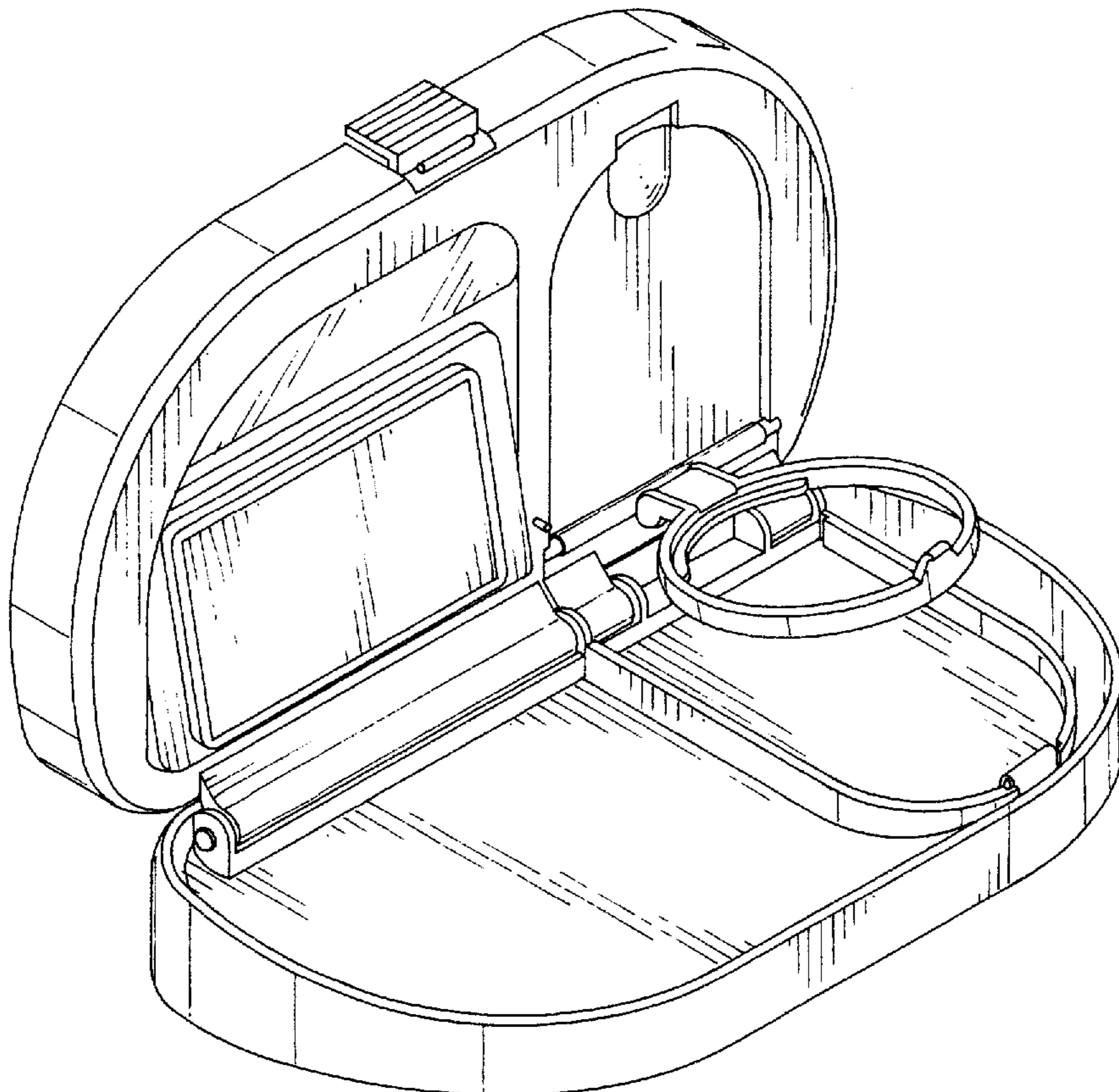
[57] **CLAIM**

The ornamental design for a combined car tray, mirror and light device, as shown and described.

DESCRIPTION

FIG. 1 is a perspective view of a combined car tray, mirror and light device showing my new design, in open position; FIG. 2 is a front elevational view thereof; FIG. 3 is a rear elevational view thereof; FIG. 4 is a top plan view thereof; FIG. 5 is a bottom plan view thereof; FIG. 6 is a left side elevational view thereof; FIG. 7 is a right side elevational view thereof; FIG. 8 is a perspective view thereof, in closed position; and, FIG. 9 is a perspective view thereof, in partially open position.

1 Claim, 5 Drawing Sheets



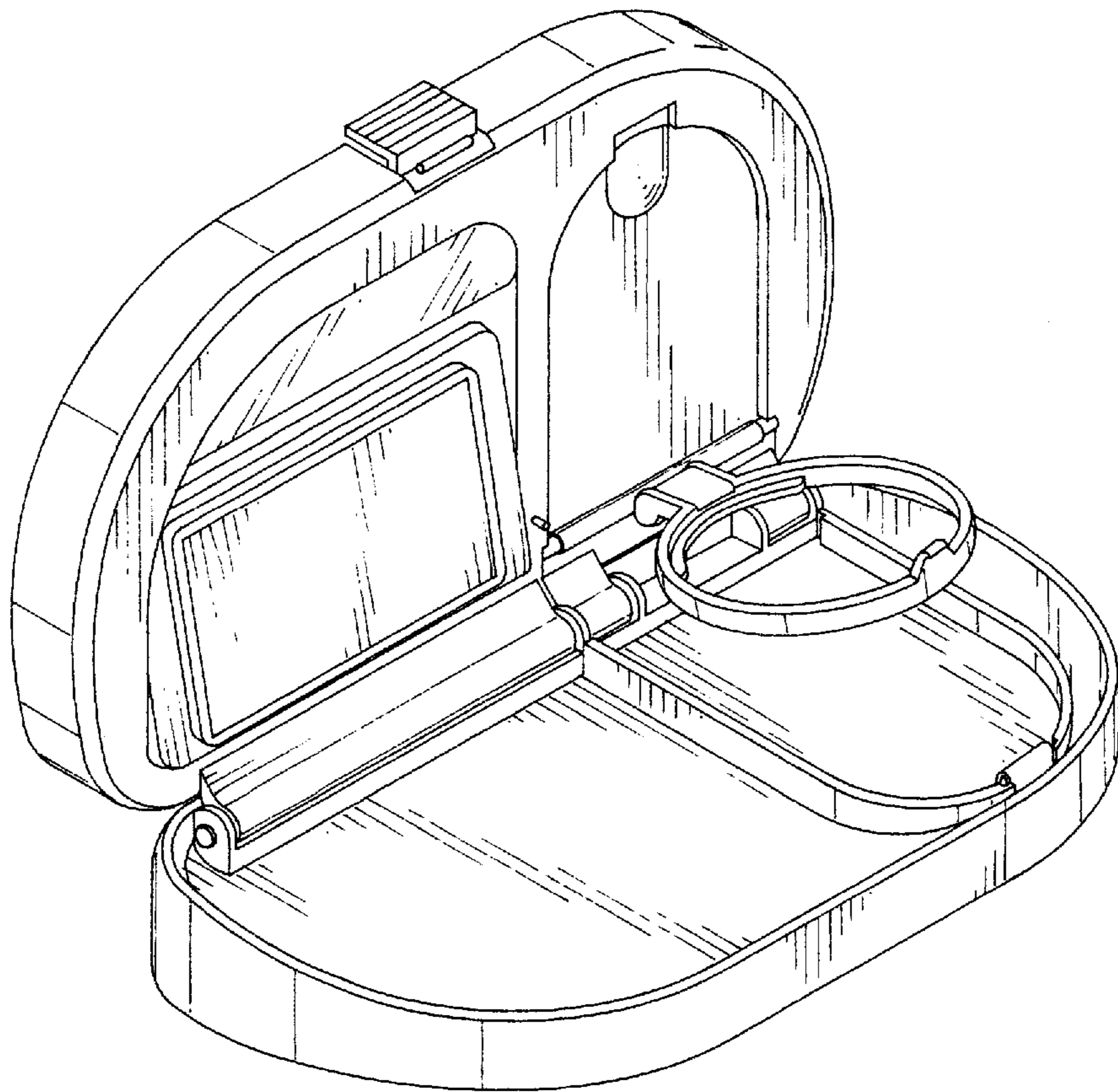


FIG. 1

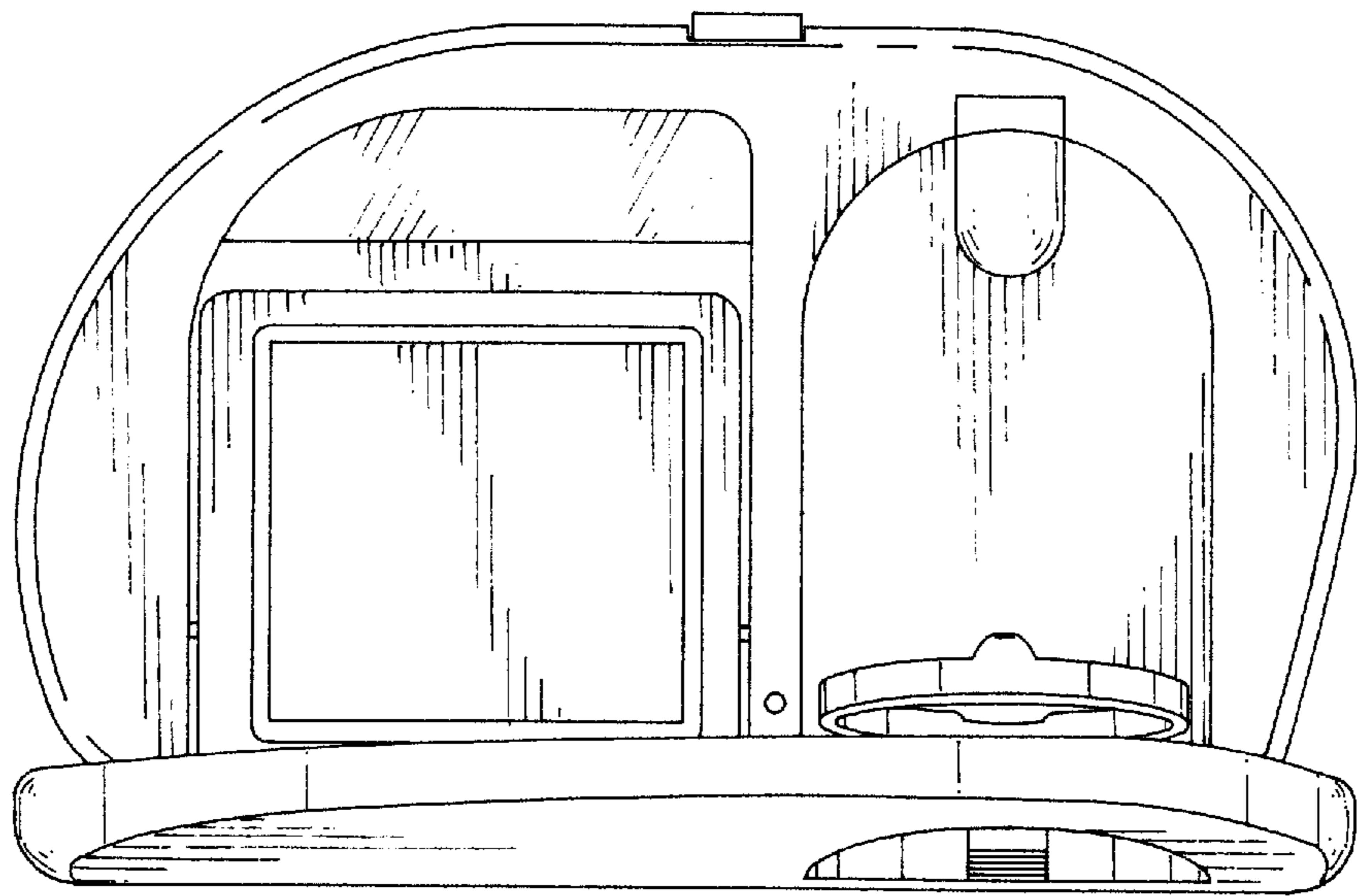


FIG. 2

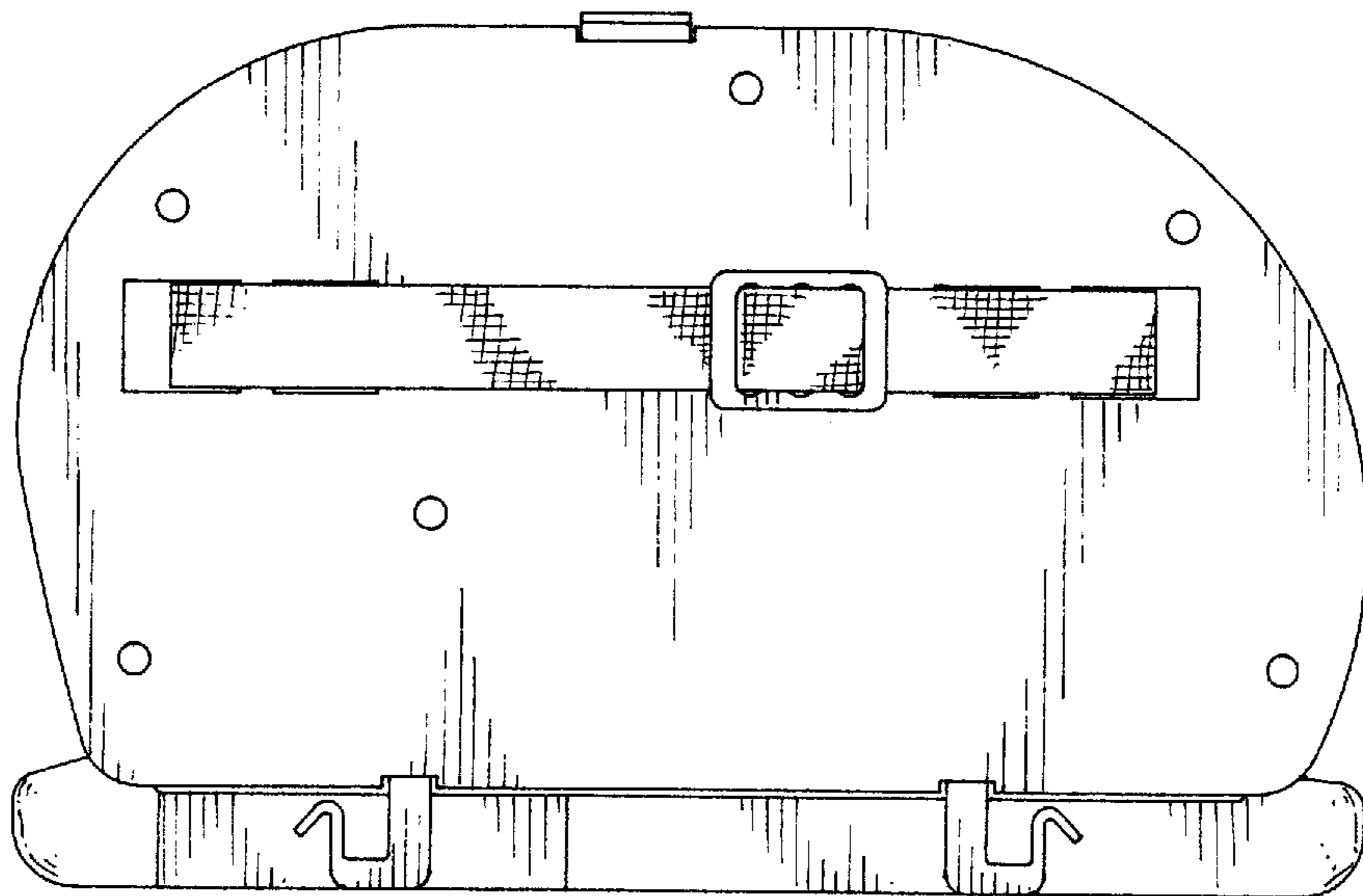


FIG. 3

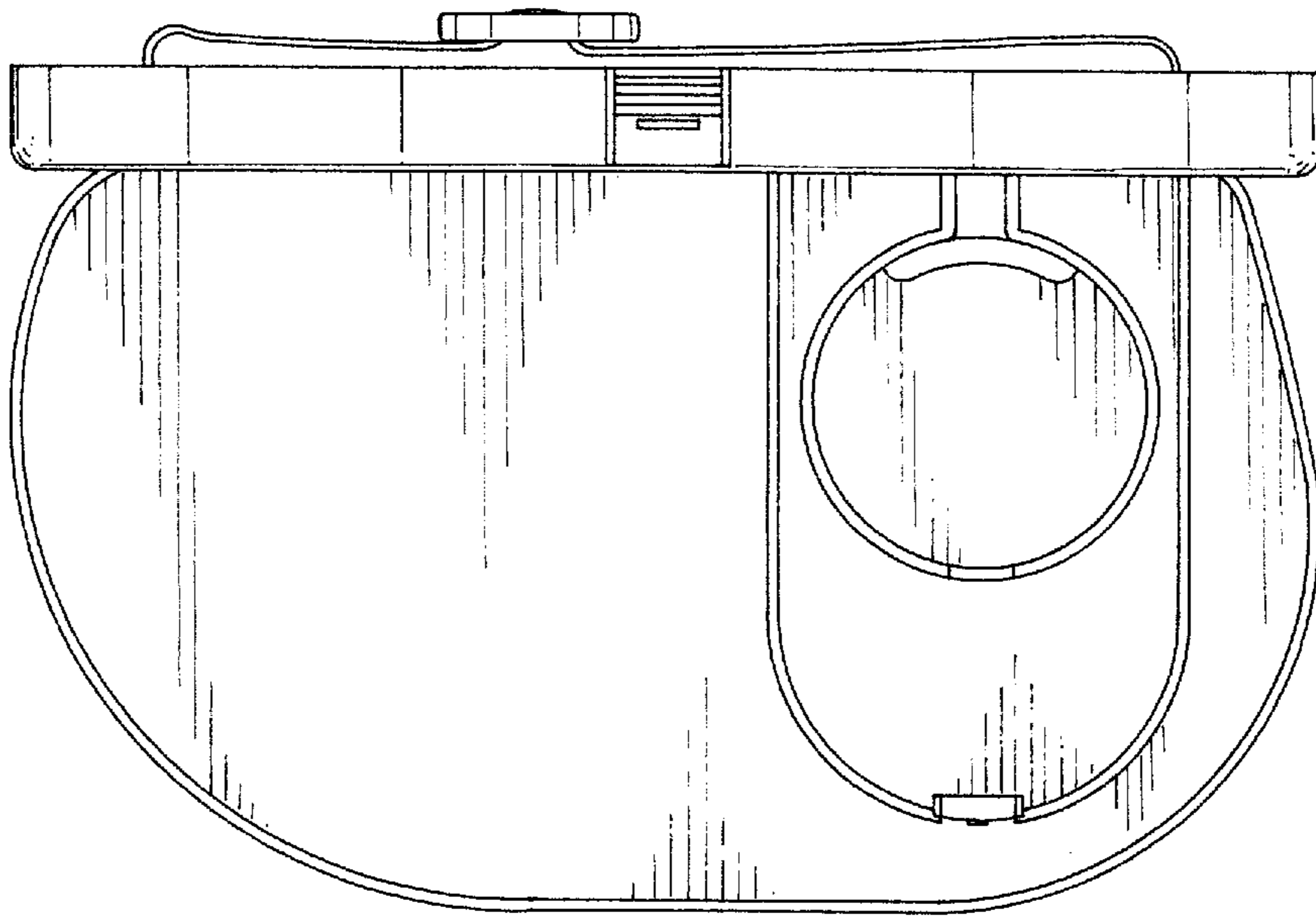


FIG. 4

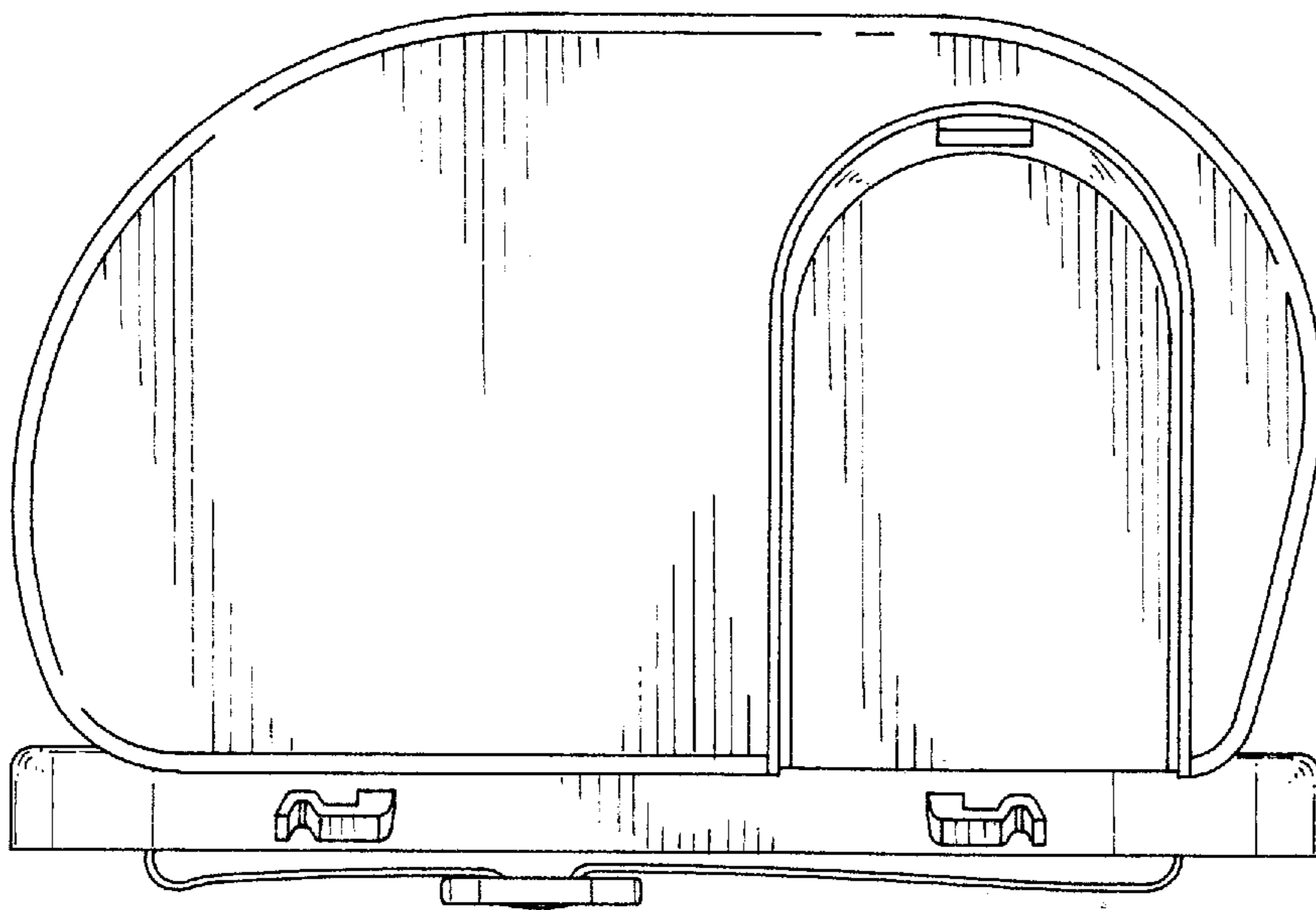


FIG. 5

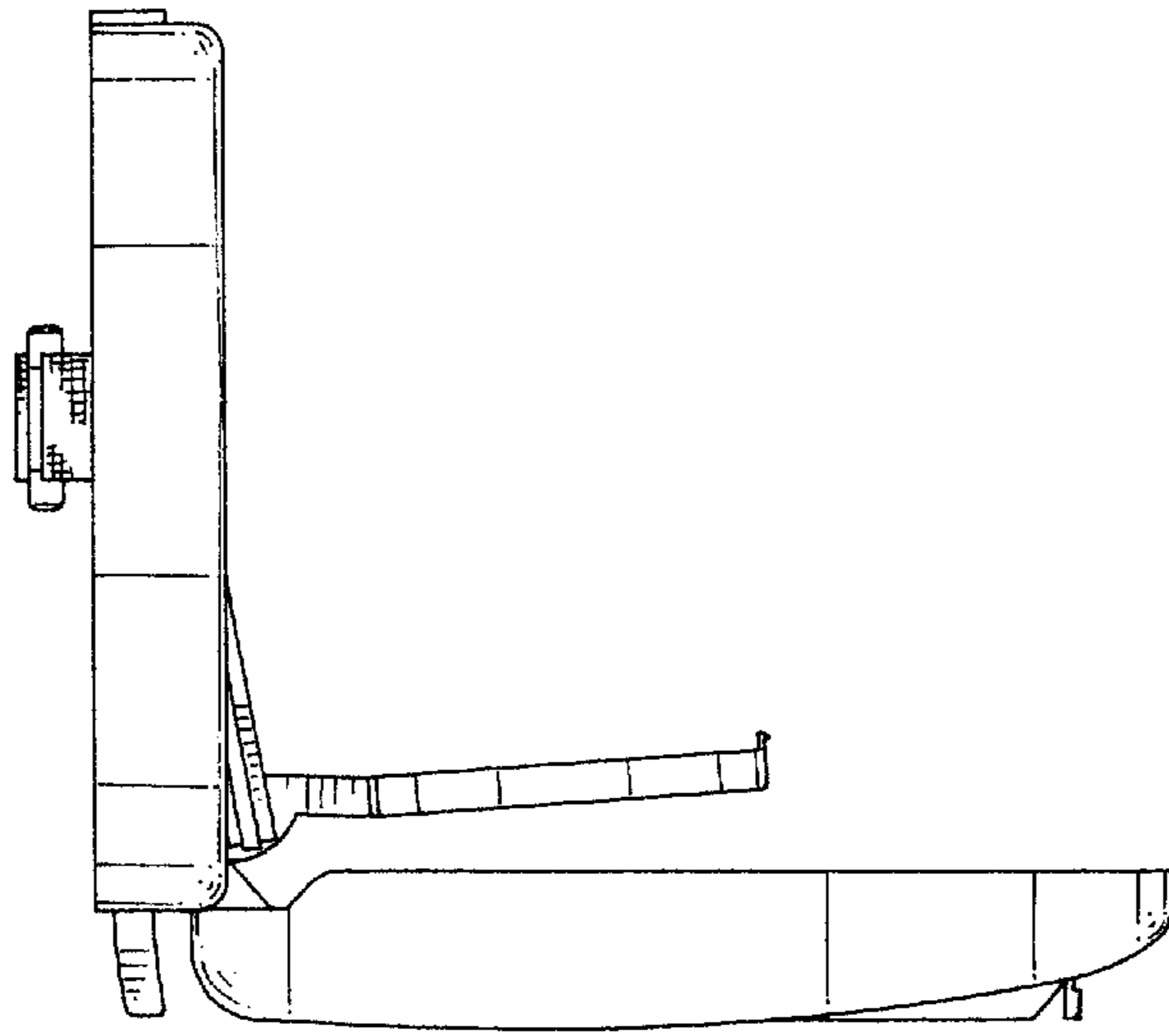


FIG. 6

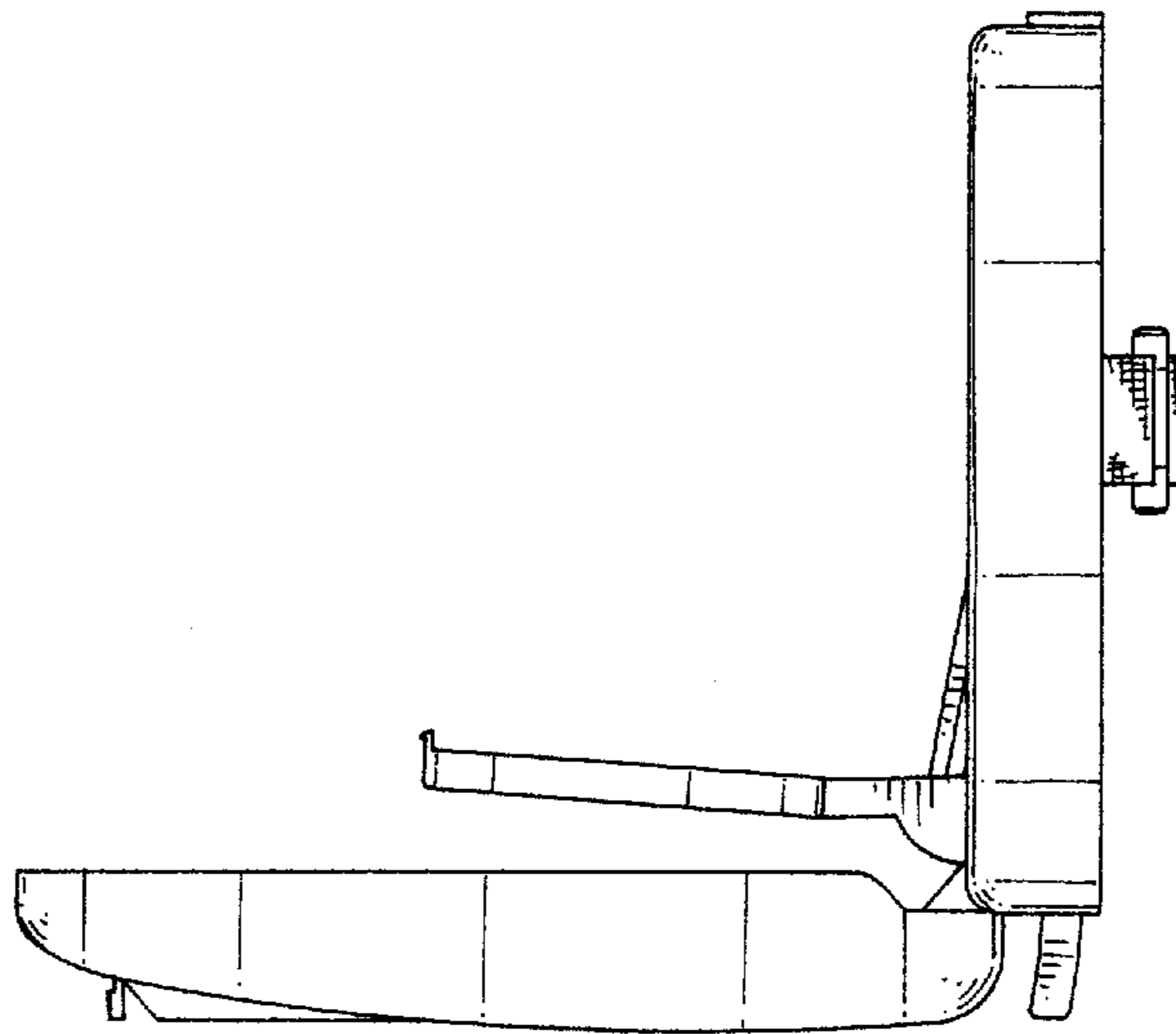


FIG. 7

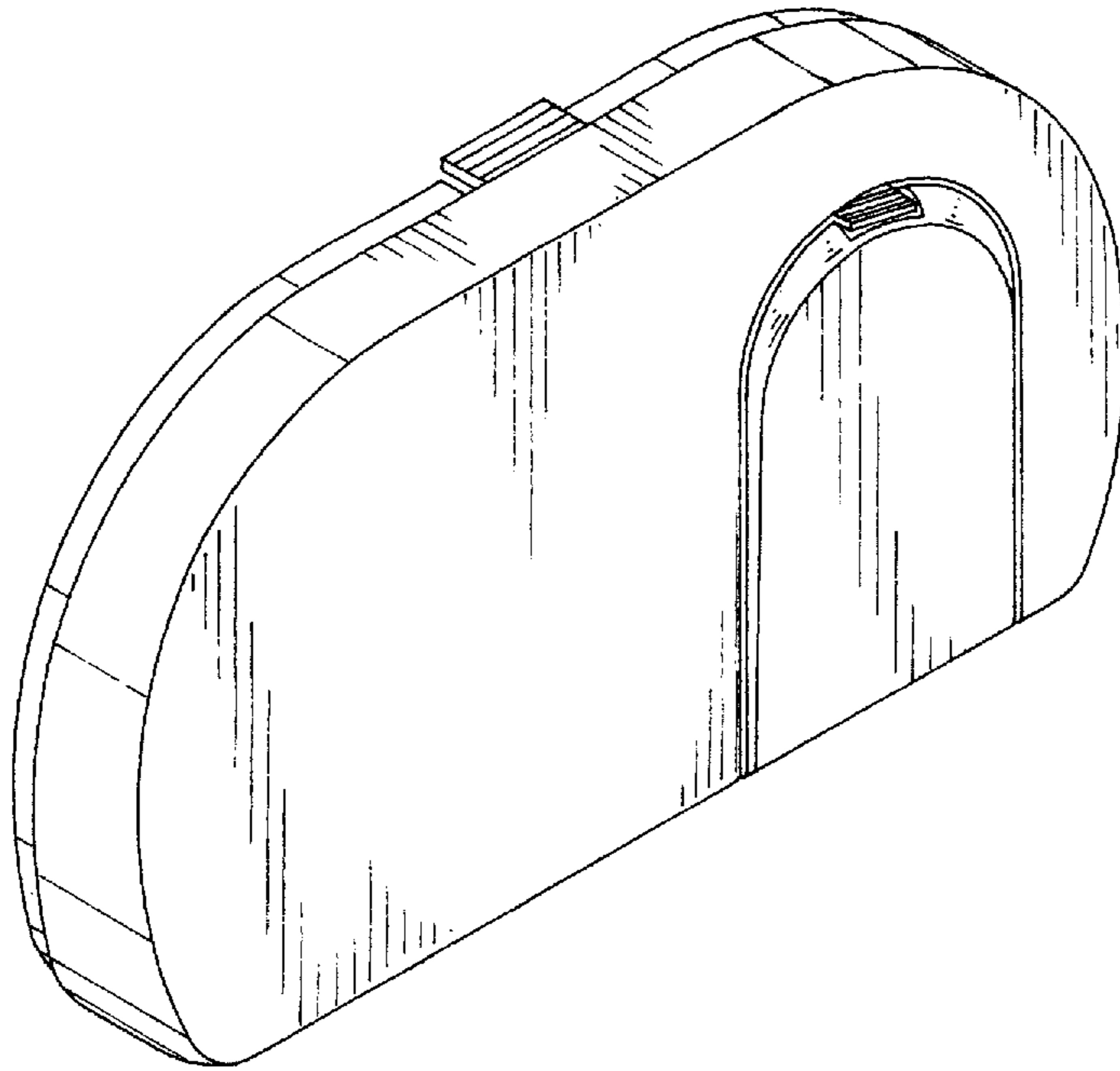


FIG. 8

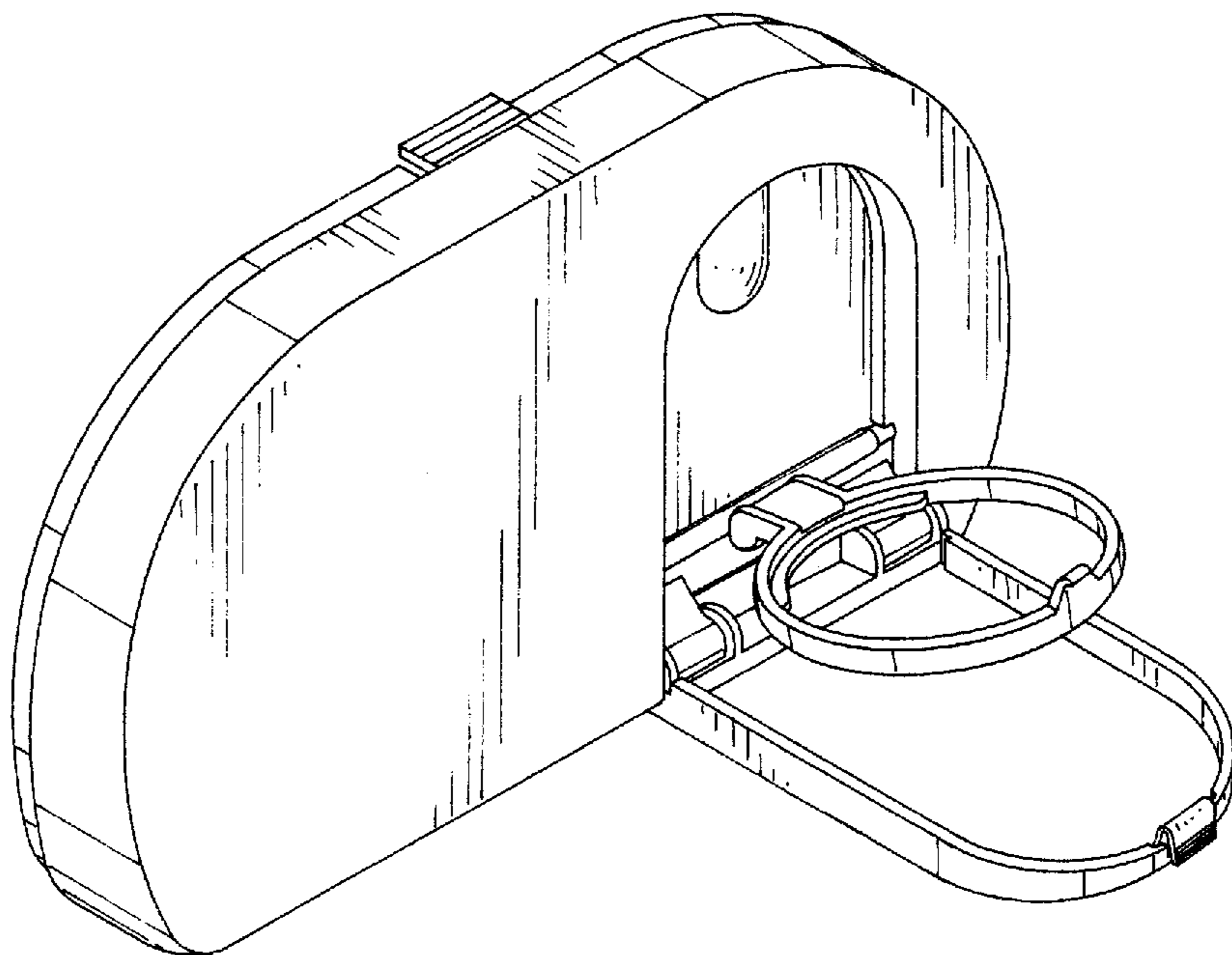


FIG. 9