



US00D399977S

United States Patent [19]

Laga

[11] Patent Number: **Des. 399,977**

[45] Date of Patent: ****Oct. 20, 1998**

[54] FOLDING STEEL SAWHORSE BEAM

2,602,008 7/1952 Hasselbring 182/181.1
4,711,319 12/1987 Sansotta et al. 182/181.1

[75] Inventor: **Kenneth Laga**, Franklin, Mass.

Primary Examiner—Doris Clark

[73] Assignee: **American Manufacturing Company, Inc.**, Allentown, Pa.

Attorney, Agent, or Firm—Samuels, Gauthier, Stevens & Reppert

[**] Term: **14 Years**

[57] CLAIM

[21] Appl. No.: **74,058**

I claim the ornamental design for folding steel sawhorse beam, as shown and described.

[22] Filed: **Jul. 8, 1997**

DESCRIPTION

[51] LOC (6) Cl. **25-04**

FIG. 1 is a perspective view;

[52] U.S. Cl. **D25/67**

FIG. 2 is a top plan view;

[58] Field of Search D25/67; 182/181.1,
182/224, 179.1, 183.1, 186.5

FIG. 3 is a right side view;

FIG. 4 is a bottom view;

FIG. 5 is a left side view; and,

FIG. 6 is an end view.

[56] References Cited

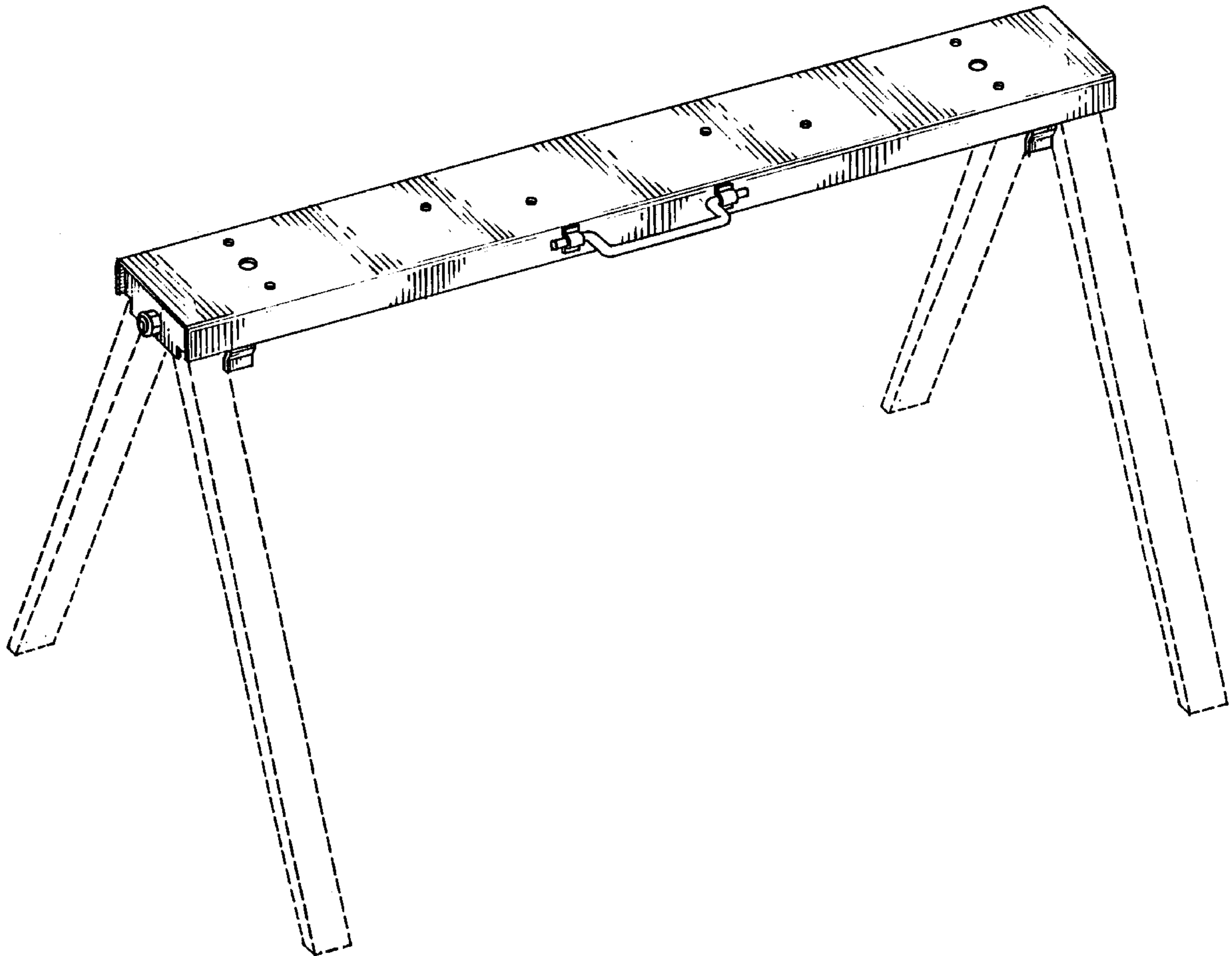
The broken lines illustrating sawhorse legs are for illustrative purposes only and form no part of the claimed design.

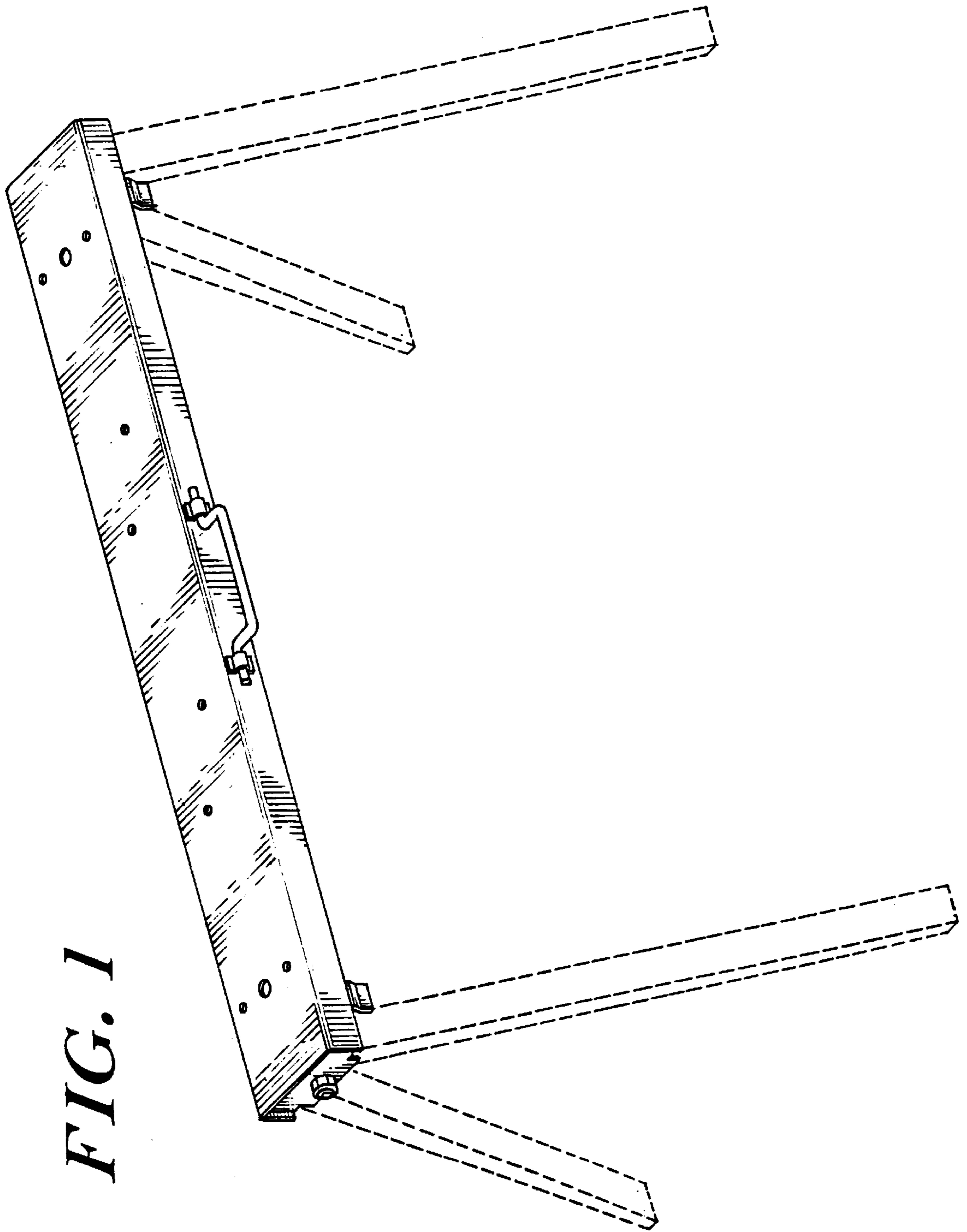
U.S. PATENT DOCUMENTS

D. 257,395 10/1980 Correll D25/67

D. 300,861 4/1989 Correll et al. D25/67

1 Claim, 3 Drawing Sheets





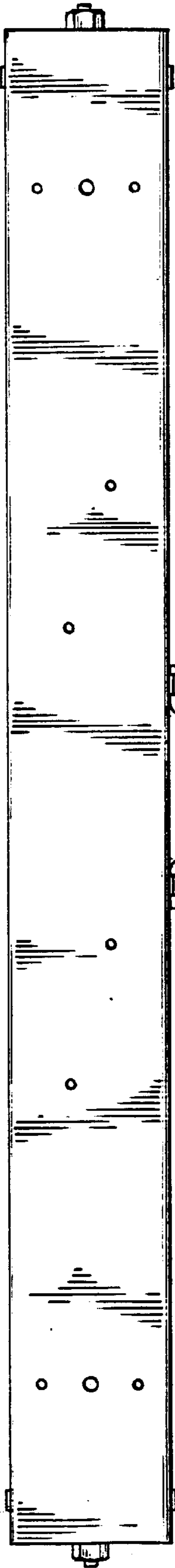


FIG. 2

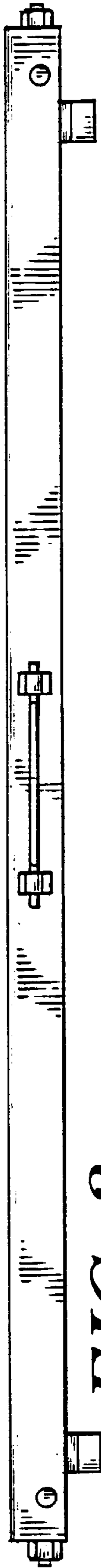


FIG. 3

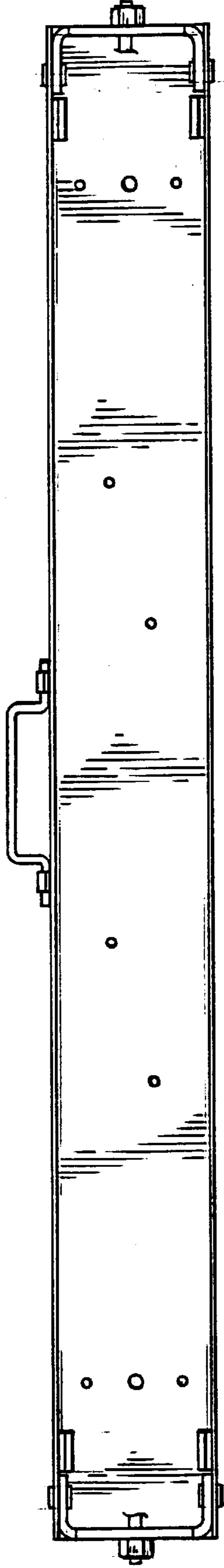


FIG. 4



FIG. 5

FIG. 6

