



US00D399974S

United States Patent [19]
Olofsson

[11] **Patent Number: Des. 399,974**

[45] **Date of Patent: **Oct. 20, 1998**

[54] **COVERED SERVICE MODULE**

[76] Inventor: **Lars Olofsson**, Mölndalsvägen 81,
Göteborg, Sweden, S-412 63

[**] Term: **14 Years**

[21] Appl. No.: **27,946**

[22] Filed: **Sep. 2, 1994**

[51] **LOC (6) Cl.** **25-02**

[52] **U.S. Cl.** **D25/56; D25/1**

[58] **Field of Search** D25/1, 16, 56;
D6/396, 421, 449; 52/36.1, 36.2, 73; 135/91,
114

[56] **References Cited**

U.S. PATENT DOCUMENTS

D. 198,673	7/1964	Strogilis	52/73	X
D. 370,733	6/1996	Lechleiter et al.	D25/1	X
2,625,762	1/1953	McColl	52/73	X
3,114,302	12/1963	Finsterwalder	D25/56	X
3,338,002	8/1967	Ericsson et al.	52/73	X
3,342,008	9/1967	Frey	52/73	X

Primary Examiner—Louis S. Zarfes
Assistant Examiner—Monica A. Weingart
Attorney, Agent, or Firm—Lerner, David, Littenberg,
Krumholz & Mentlik

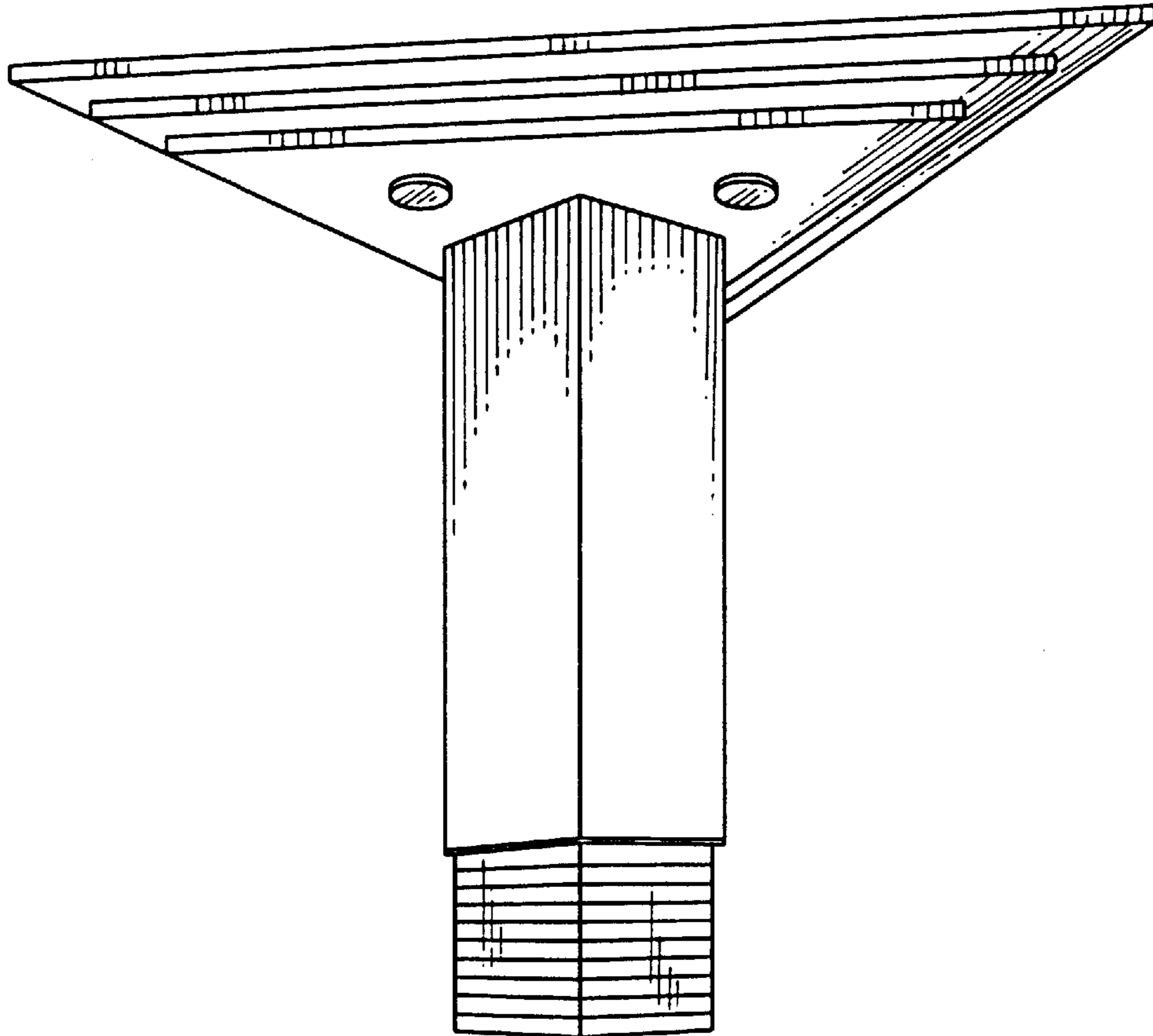
[57] **CLAIM**

The ornamental design for a covered service module, as shown and described.

DESCRIPTION

FIG. 1 is a front perspective view of a covered service module showing my new design;
FIG. 2 is a front perspective view of another embodiment of a covered service module thereof;
FIG. 3 is a top plan view of the covered service module shown in FIG. 1;
FIG. 4 is a bottom plan view thereof;
FIG. 5 is a top plan view of the covered service module shown in FIG. 2;
FIG. 6 is a bottom plan view thereof;
FIG. 7 is a front perspective view of another embodiment of a covered service module thereof;
FIG. 8 is a top plan view thereof; and,
FIG. 9 is a bottom plan view thereof.

1 Claim, 5 Drawing Sheets



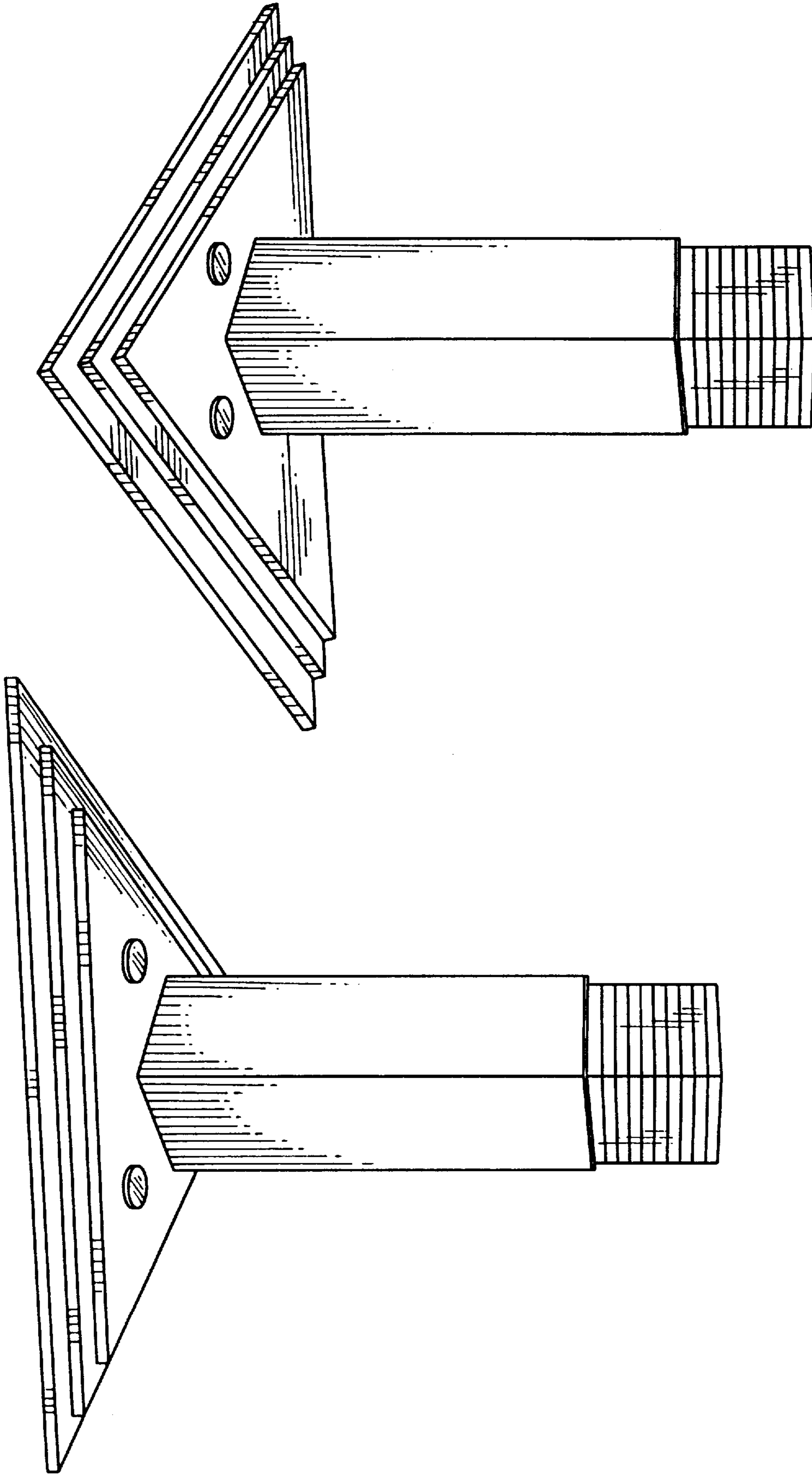


FIG. 1

FIG. 2

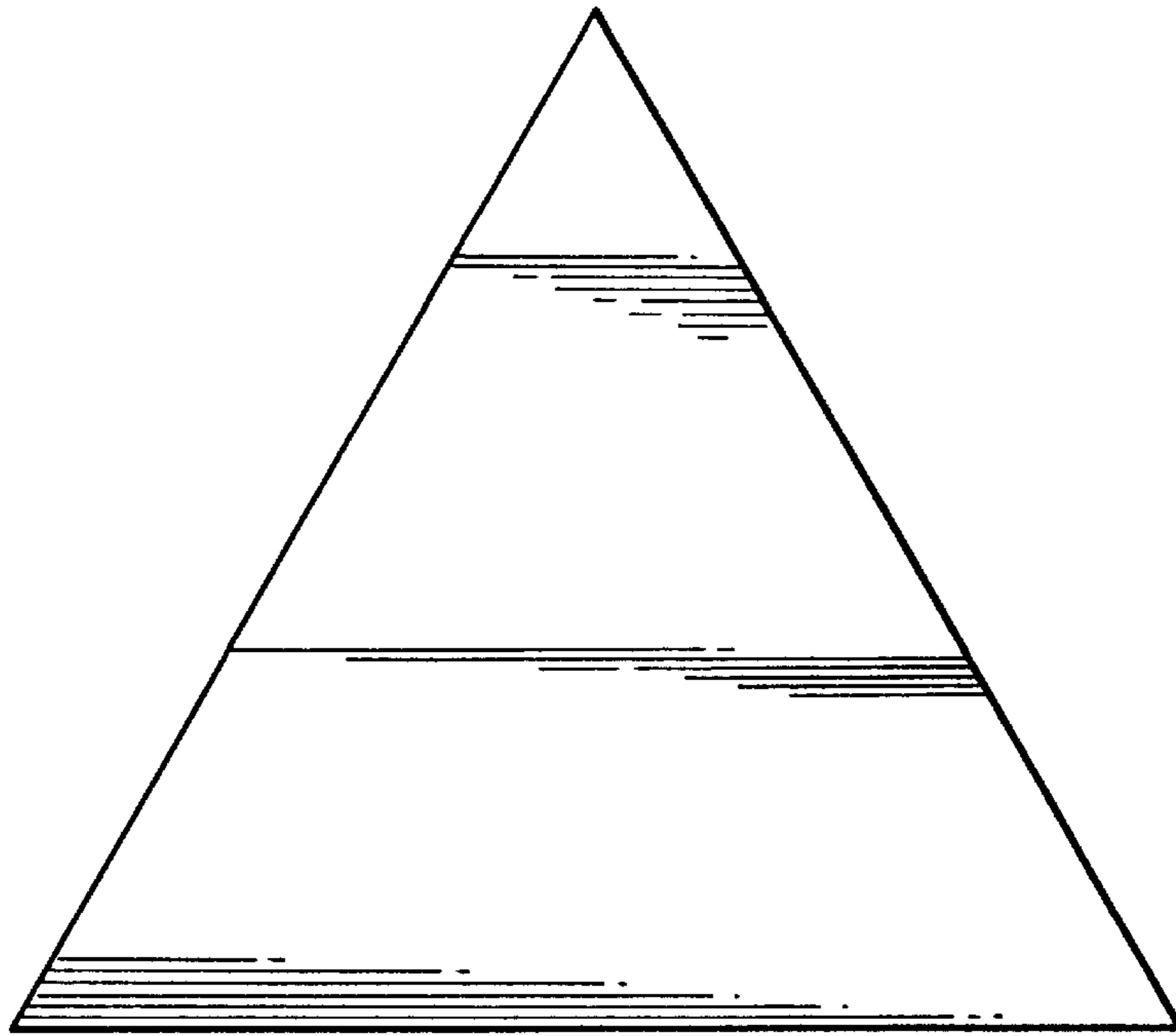


FIG. 3

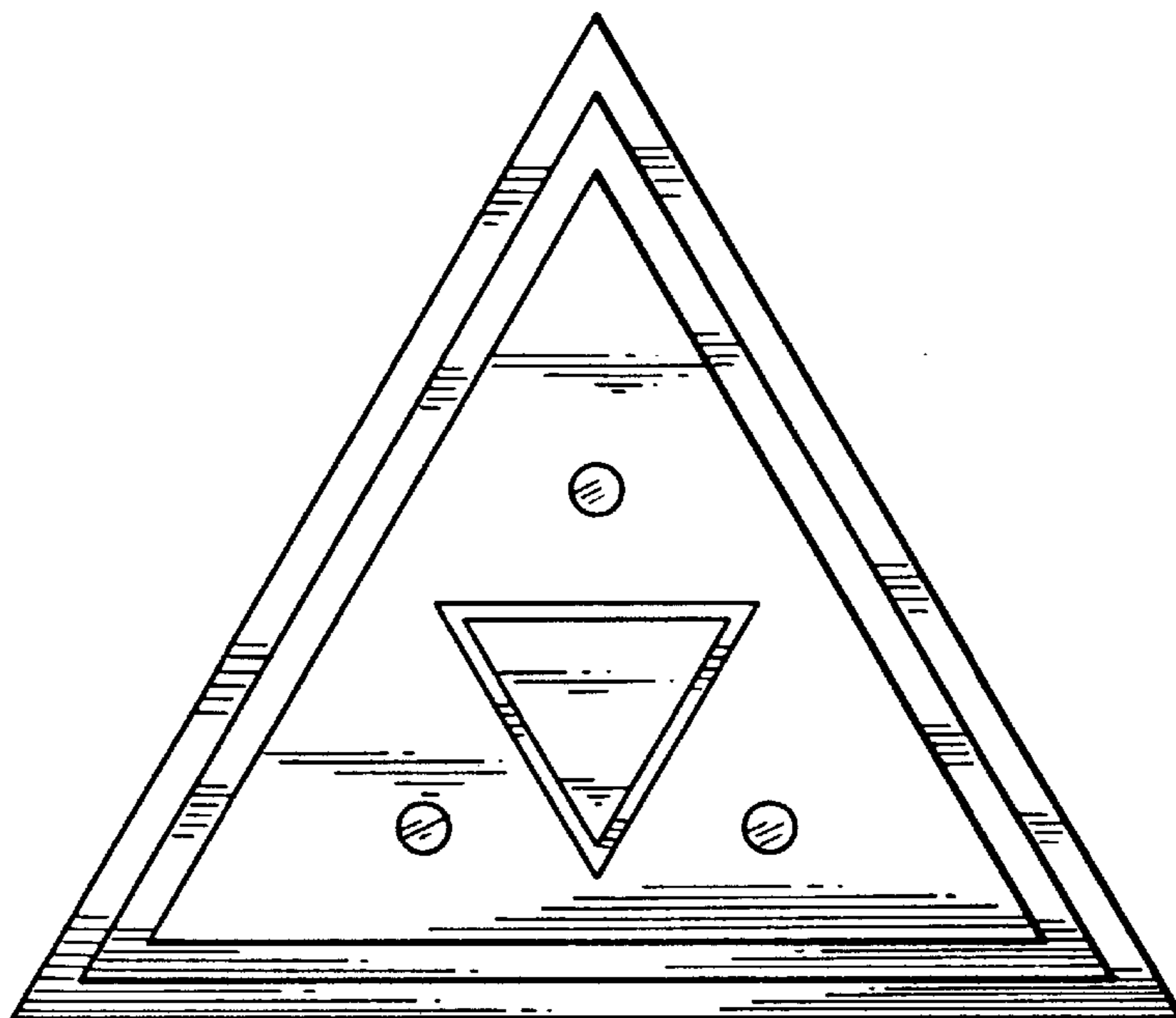


FIG. 4

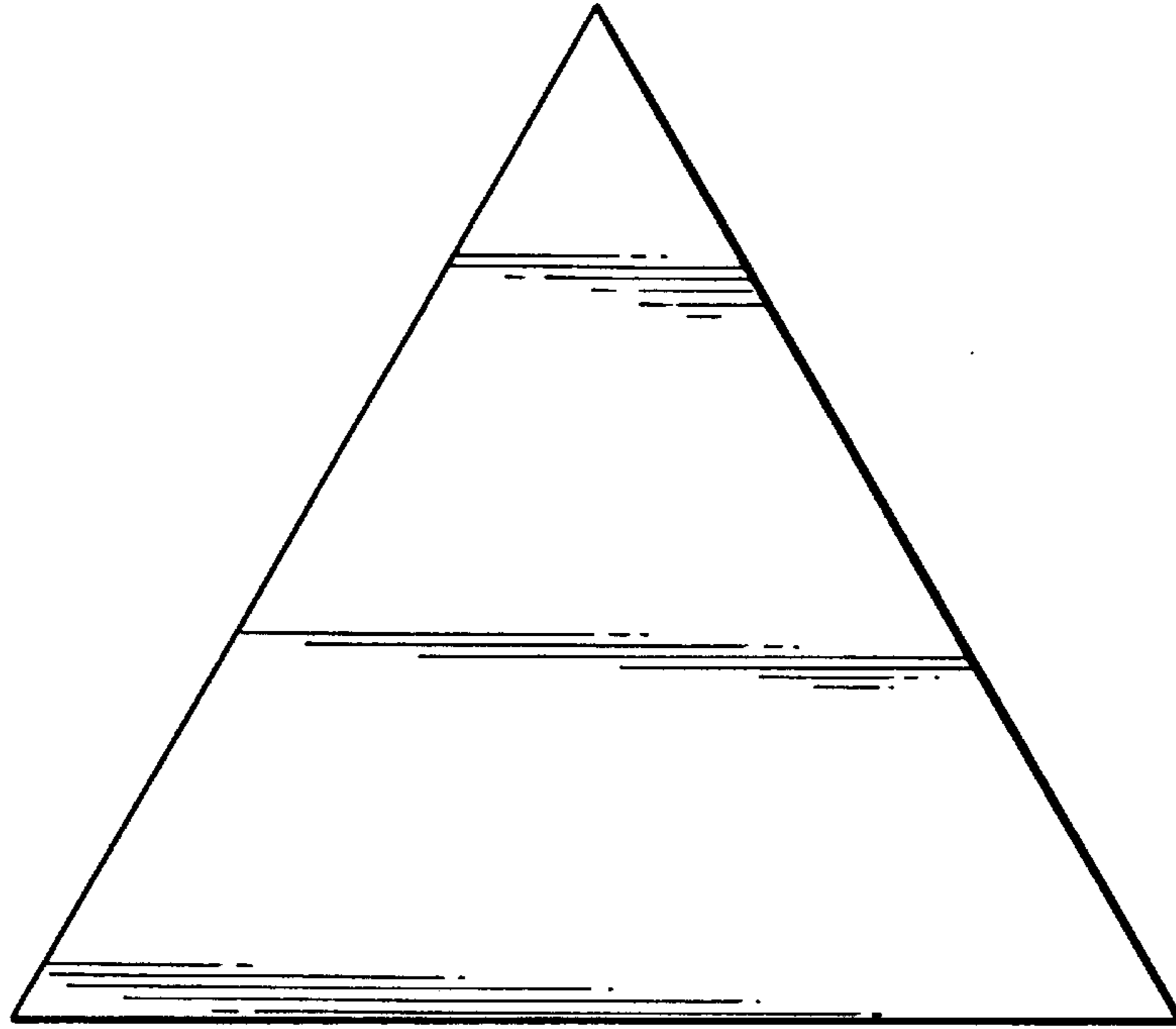


FIG. 5

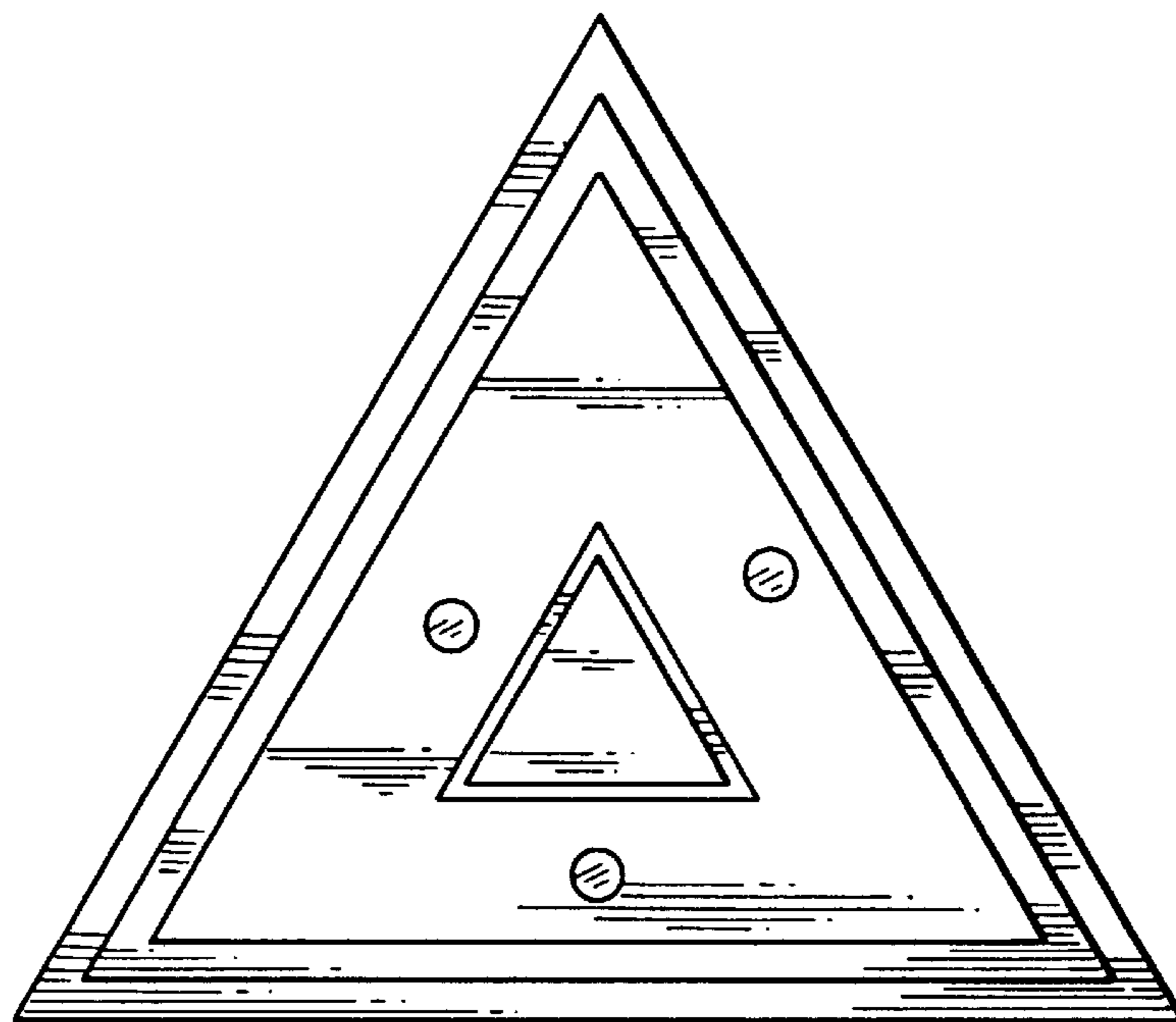


FIG. 6

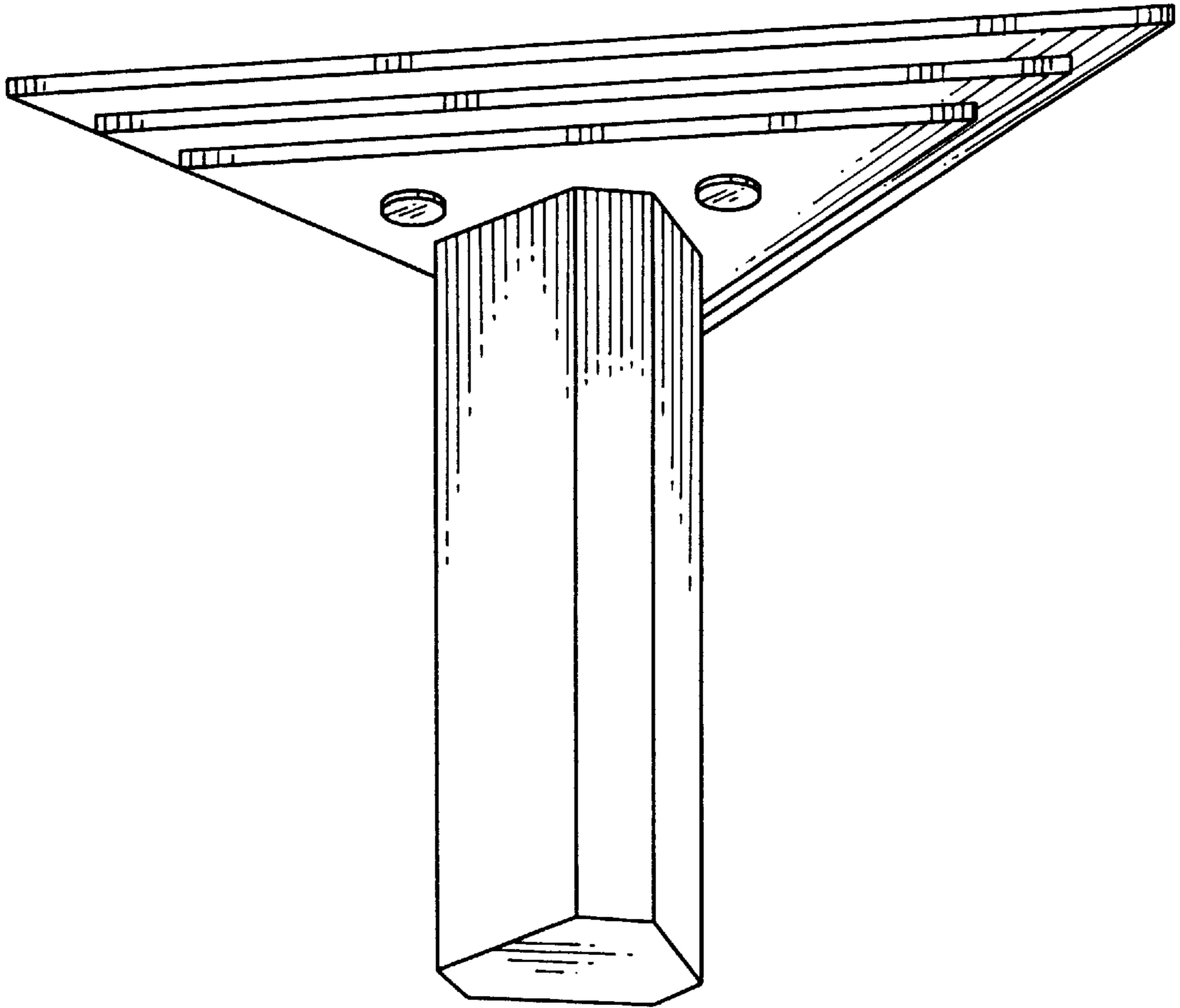


FIG. 7

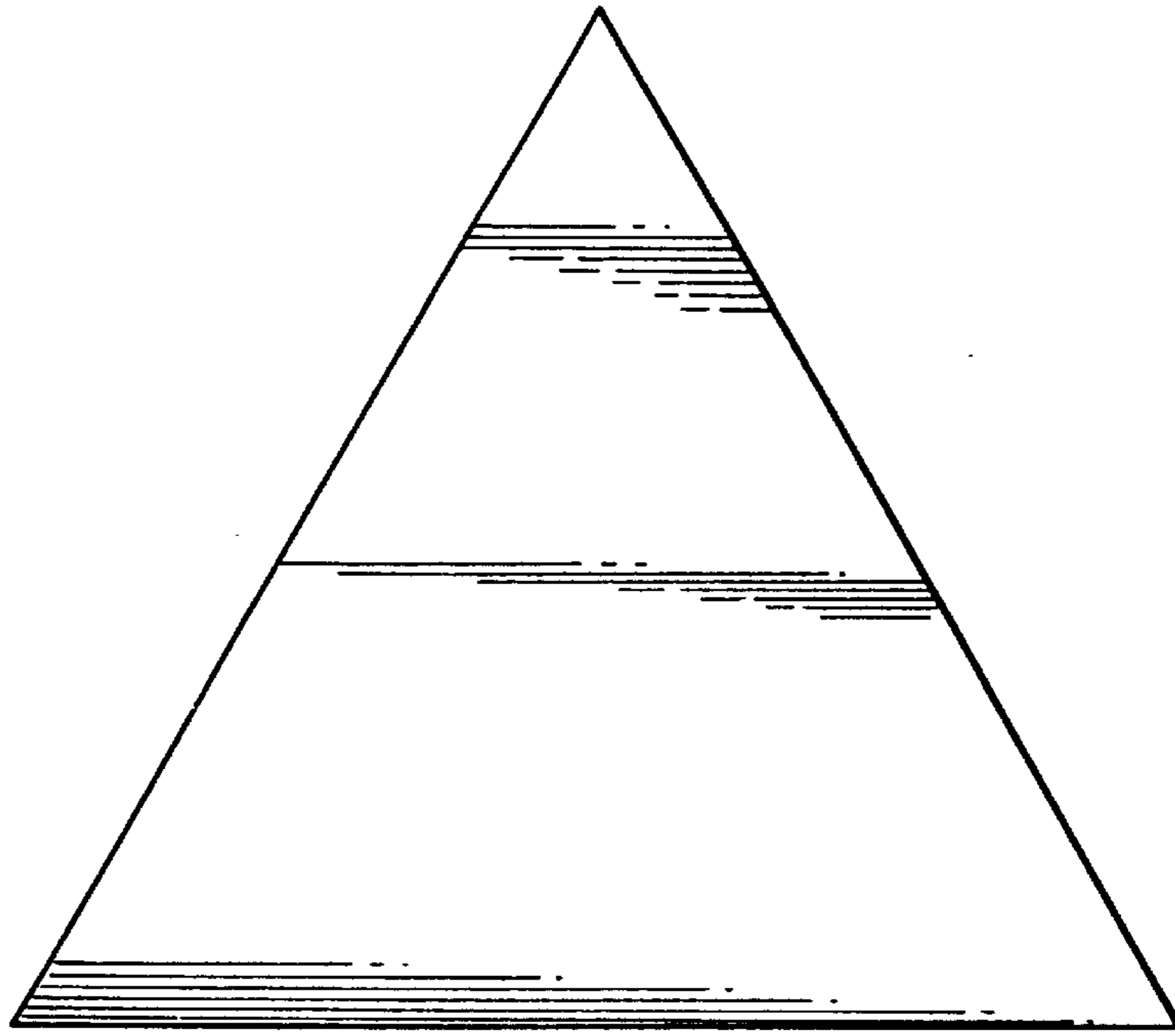


FIG. 8

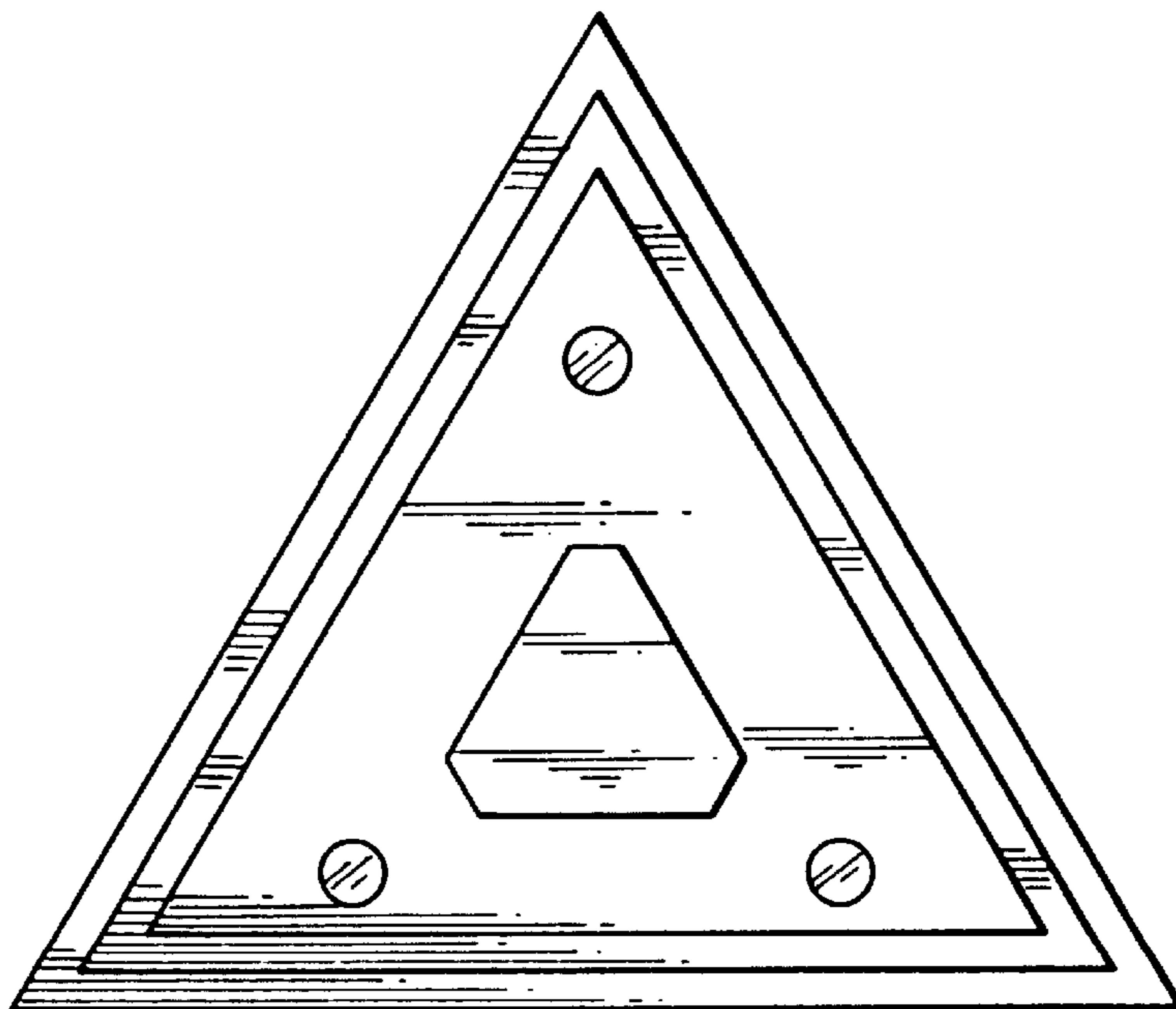


FIG. 9