



US00D399973S

United States Patent [19]
O'Reilly

[11] **Patent Number: Des. 399,973**

[45] **Date of Patent: **Oct. 20, 1998**

[54] **COMBINED TELEPHONE BOOTH AND ADVERTISING DISPLAY UNIT**

[76] Inventor: **Lawrence Patrick O'Reilly**, 832 Town and River Dr., Ft. Myers, Fla. 33919

[**] Term: **14 Years**

[21] Appl. No.: **70,293**

[22] Filed: **May 5, 1997**

[51] **LOC (6) Cl.** **25-03**

[52] **U.S. Cl.** **D25/16**

[58] **Field of Search** D25/1, 16; 52/79.1, 52/27, 27.5, 36.1, 36.2; D6/421

[56] **References Cited**

U.S. PATENT DOCUMENTS

D. 223,815	6/1972	Ericsson et al.	52/27.5
D. 260,581	9/1981	Kostoff .	
D. 263,101	2/1982	George et al. .	
D. 263,102	2/1982	George et al. .	
D. 263,264	3/1982	George et al. .	
D. 300,093	3/1989	Ranz et al. .	
D. 324,574	3/1992	Holland	D25/16
D. 338,042	8/1993	Giammanco .	
4,706,399	11/1987	Martin .	
4,754,582	7/1988	Cameron .	
4,797,914	1/1989	Vaello .	
4,845,869	7/1989	Martin .	
4,918,878	4/1990	Paschke et al. .	
4,961,294	10/1990	Cameron .	
4,998,388	3/1991	Englehart	52/79.1
5,029,339	7/1991	Caron .	
5,031,366	7/1991	Cameron .	
5,072,535	12/1991	Jenkins .	
5,216,853	6/1993	Dignan et al. .	

Primary Examiner—Doris Clark
Attorney, Agent, or Firm—Laura G. Barrow

[57] **CLAIM**

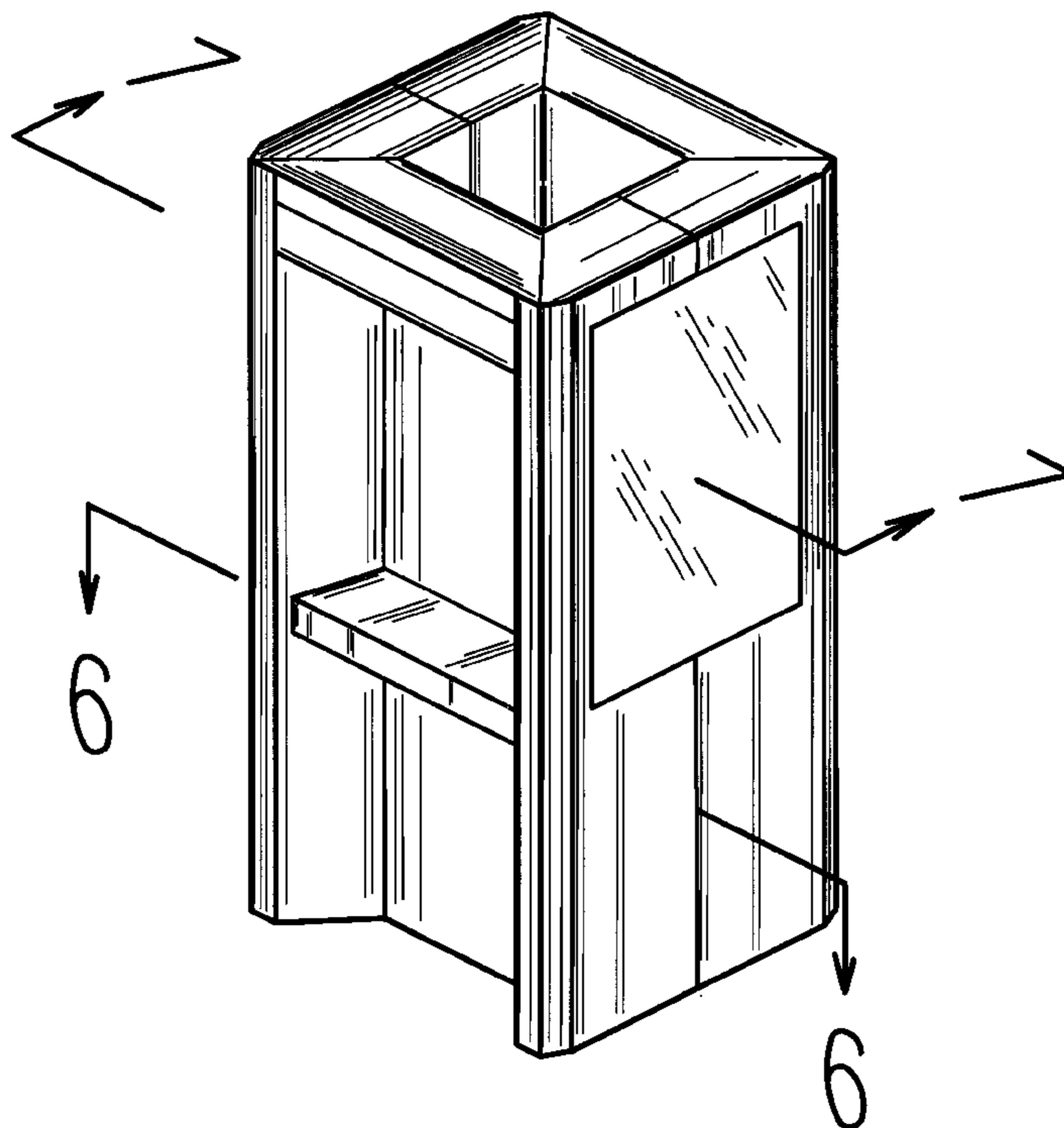
The ornamental design of a combined telephone booth and advertising display unit, as shown and described.

DESCRIPTION

FIG. 1 is a perspective view of a combined telephone booth and advertising display unit showing my new design; FIG. 2 is a front elevation view thereof; FIG. 3 is a side elevation view thereof; FIG. 4 is a top plan view thereof; FIG. 5 is a bottom plan view thereof; FIG. 6 is a transverse cross-section of the unit taken along lines 6—6 of FIG. 1; FIG. 7 is a longitudinal cross-section of the unit taken along lines 7—7 of FIG. 1; FIG. 8 is a perspective view of a second embodiment of a combined telephone booth and advertising display unit showing my new design; FIG. 9 is a top plan view of the unit shown in FIG. 8; FIG. 10 is a bottom plan view of the unit shown in FIG. 8; FIG. 11 is a front elevation view of the unit shown in FIG. 8; and, FIG. 12 is a side elevation view of the unit shown in FIG. 8.

The rear side opposite to that shown in FIG. 2, not shown, is identical to the front elevation shown in FIG. 2. The side opposite to that shown in FIG. 3, not shown, is identical to the side elevation shown in FIG. 3. The rear side opposite to that shown in FIG. 11, not shown, is identical to the front elevation shown in FIG. 11. The side opposite to that shown in FIG. 12, not shown, is identical to the side elevation shown in FIG. 12.

1 Claim, 10 Drawing Sheets



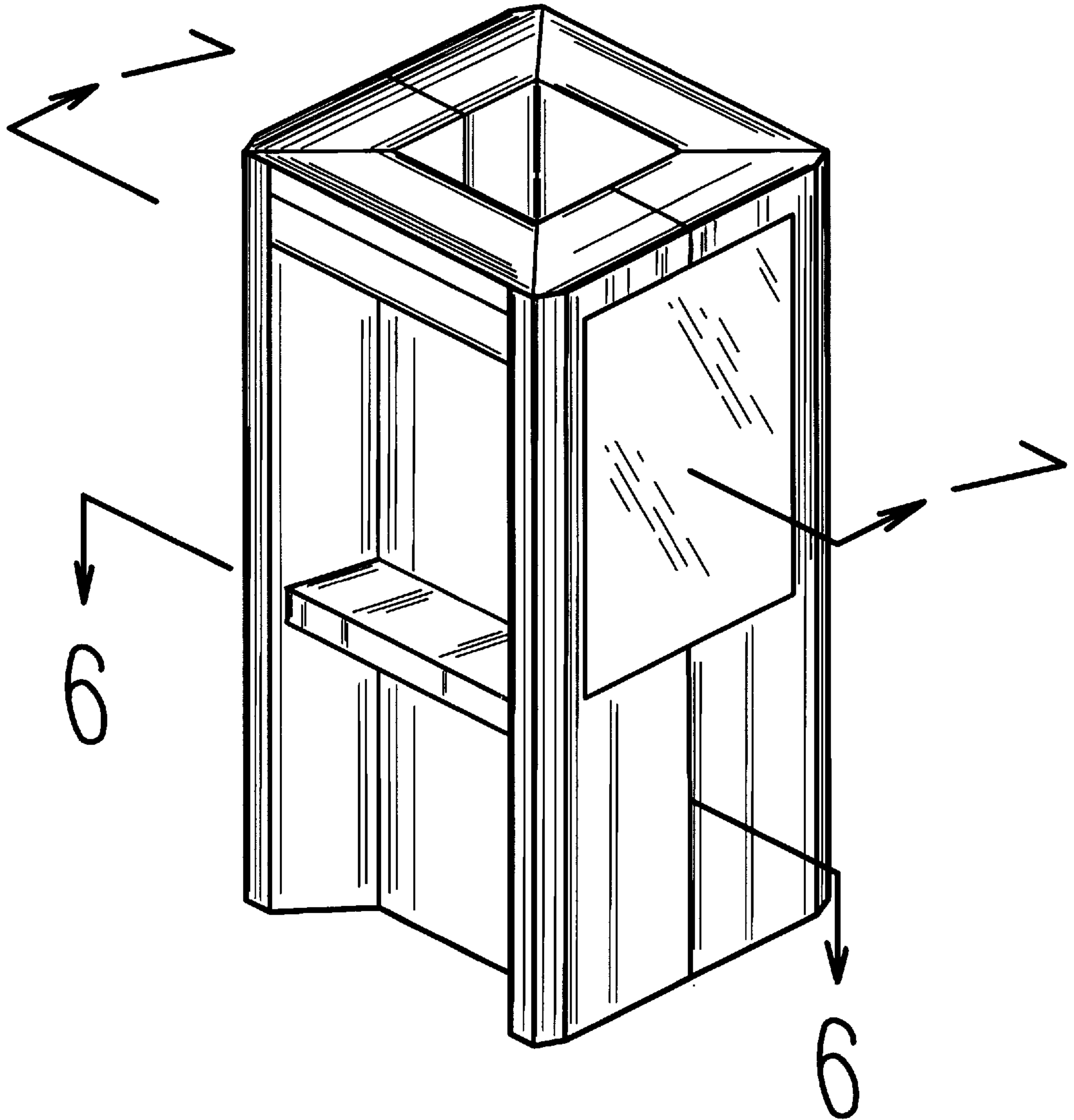


FIGURE 1

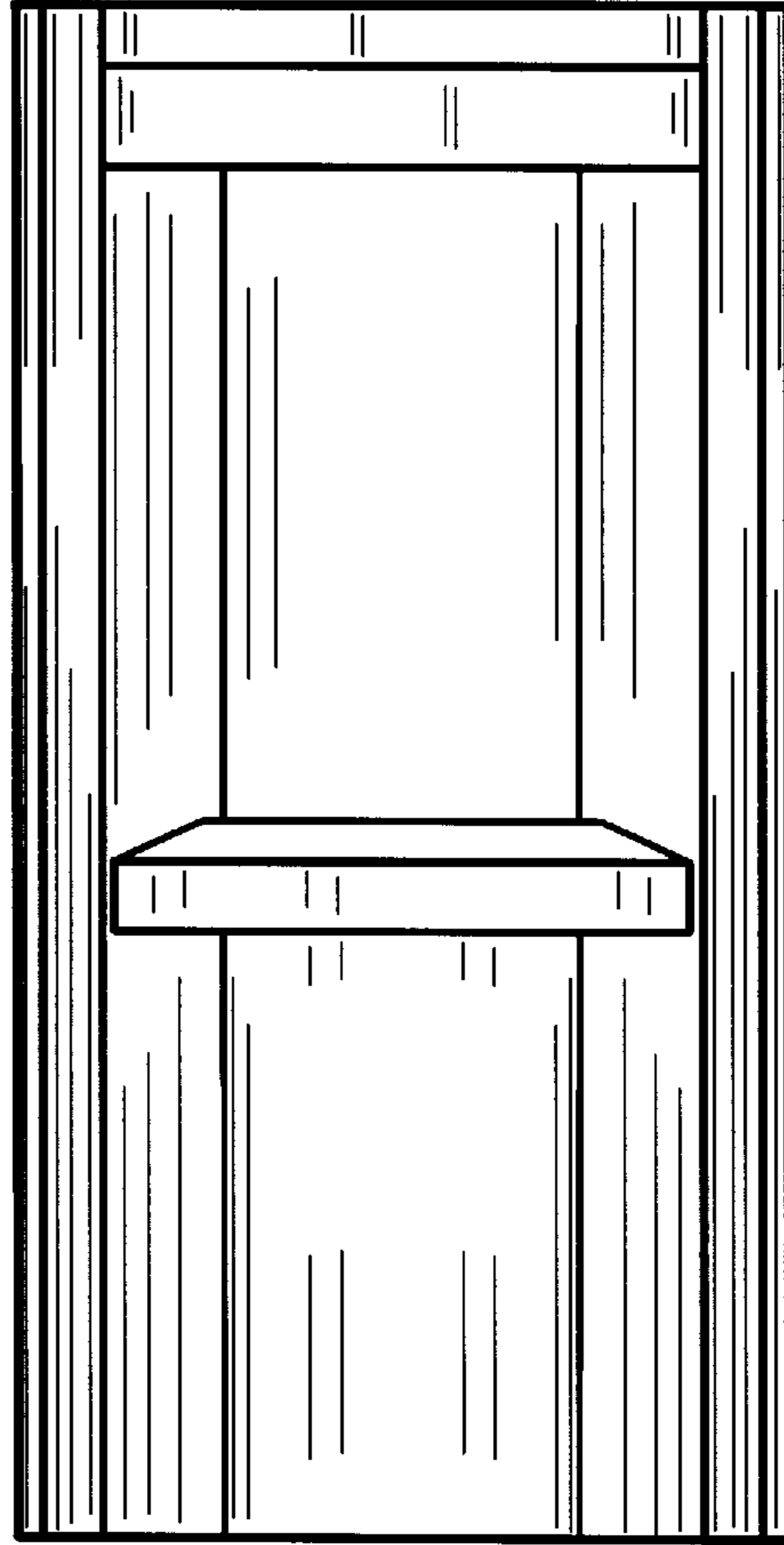


FIGURE 2

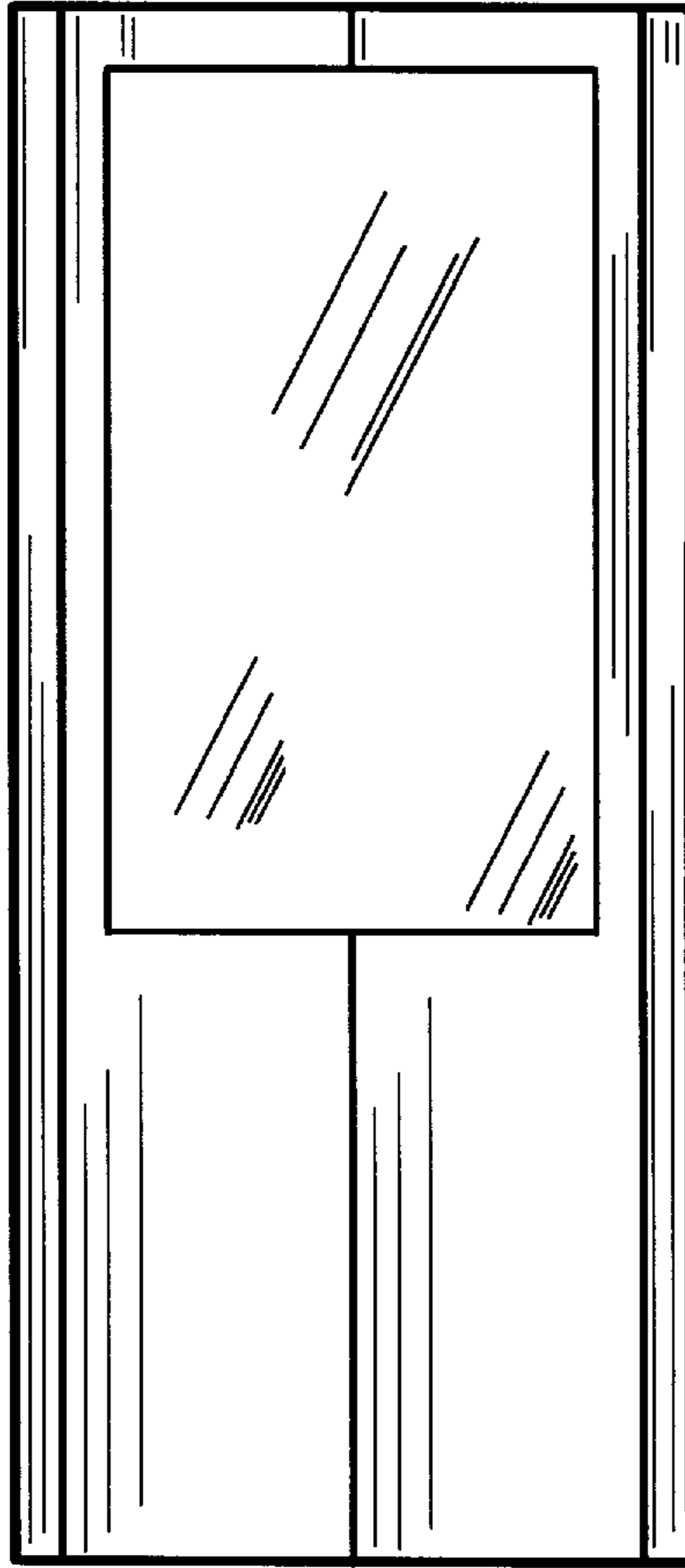


FIGURE 3

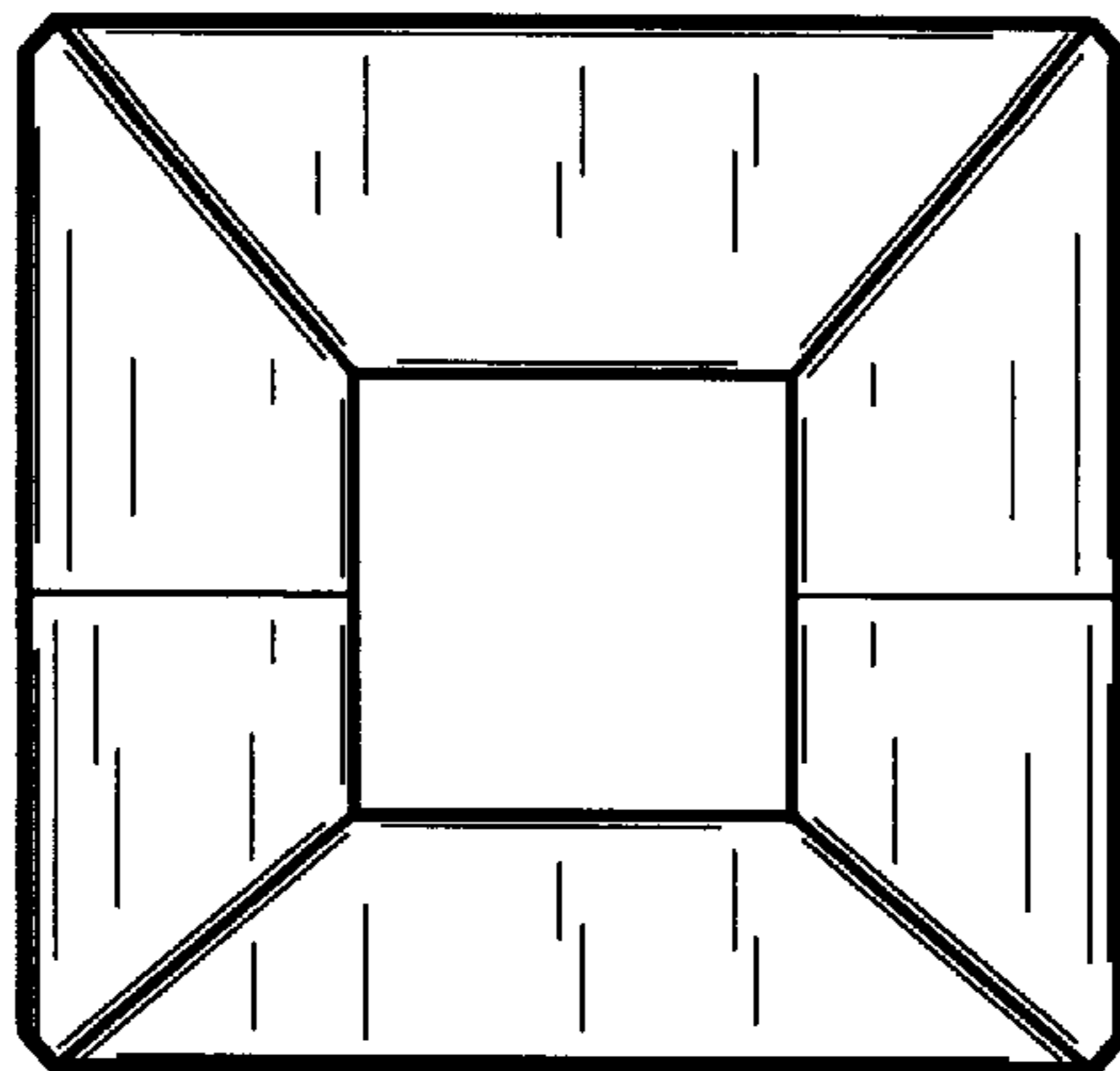


FIGURE 4

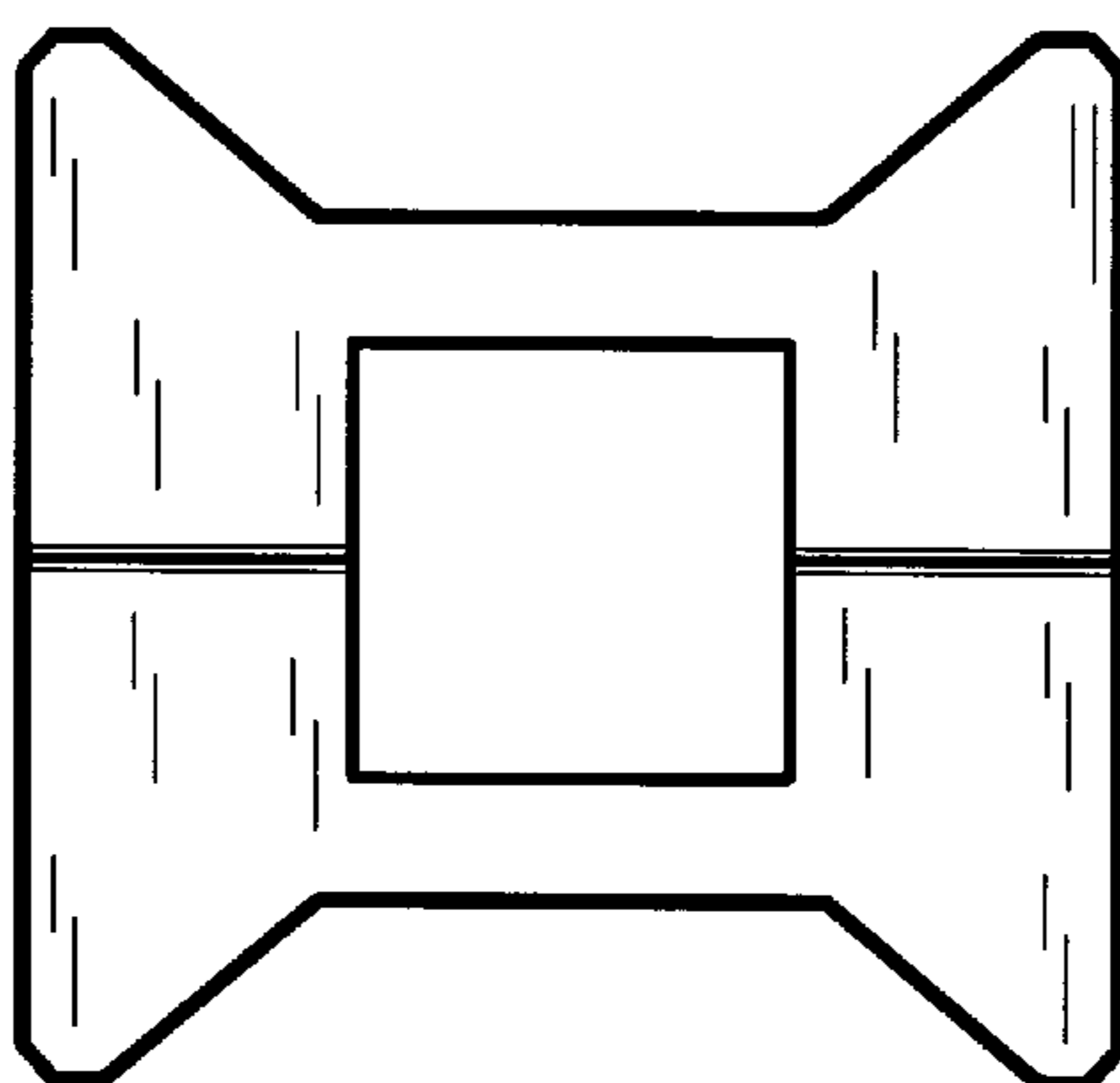


FIGURE 5

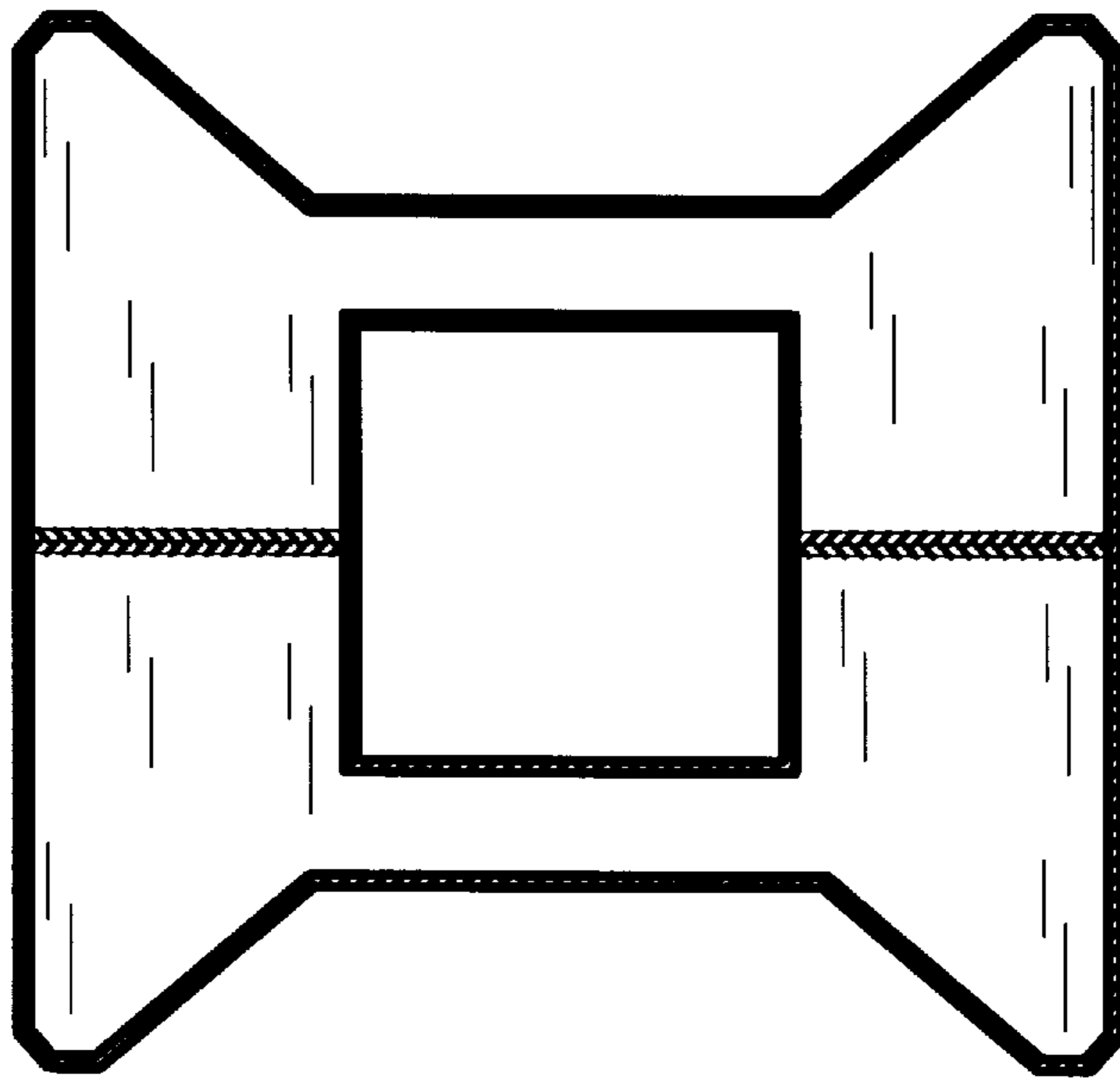


FIGURE 6

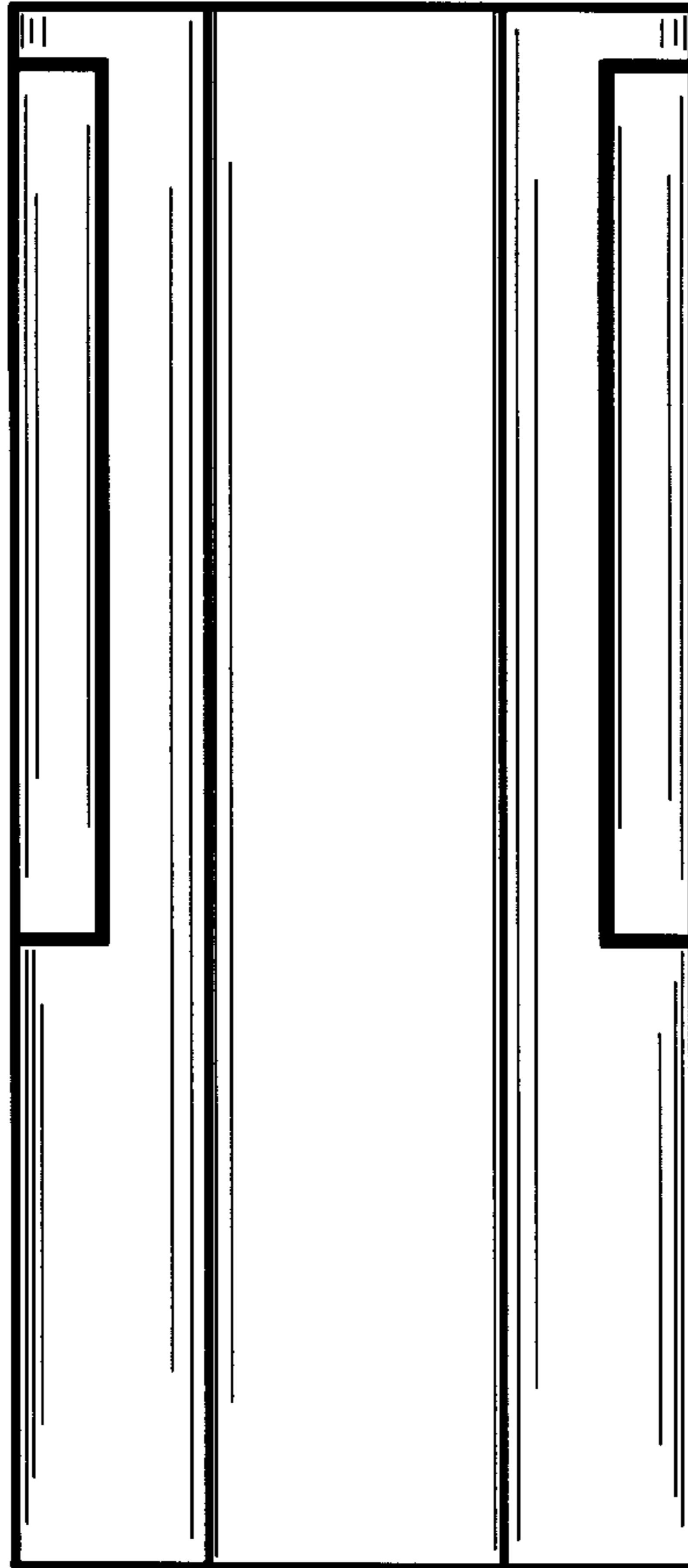


FIGURE 7

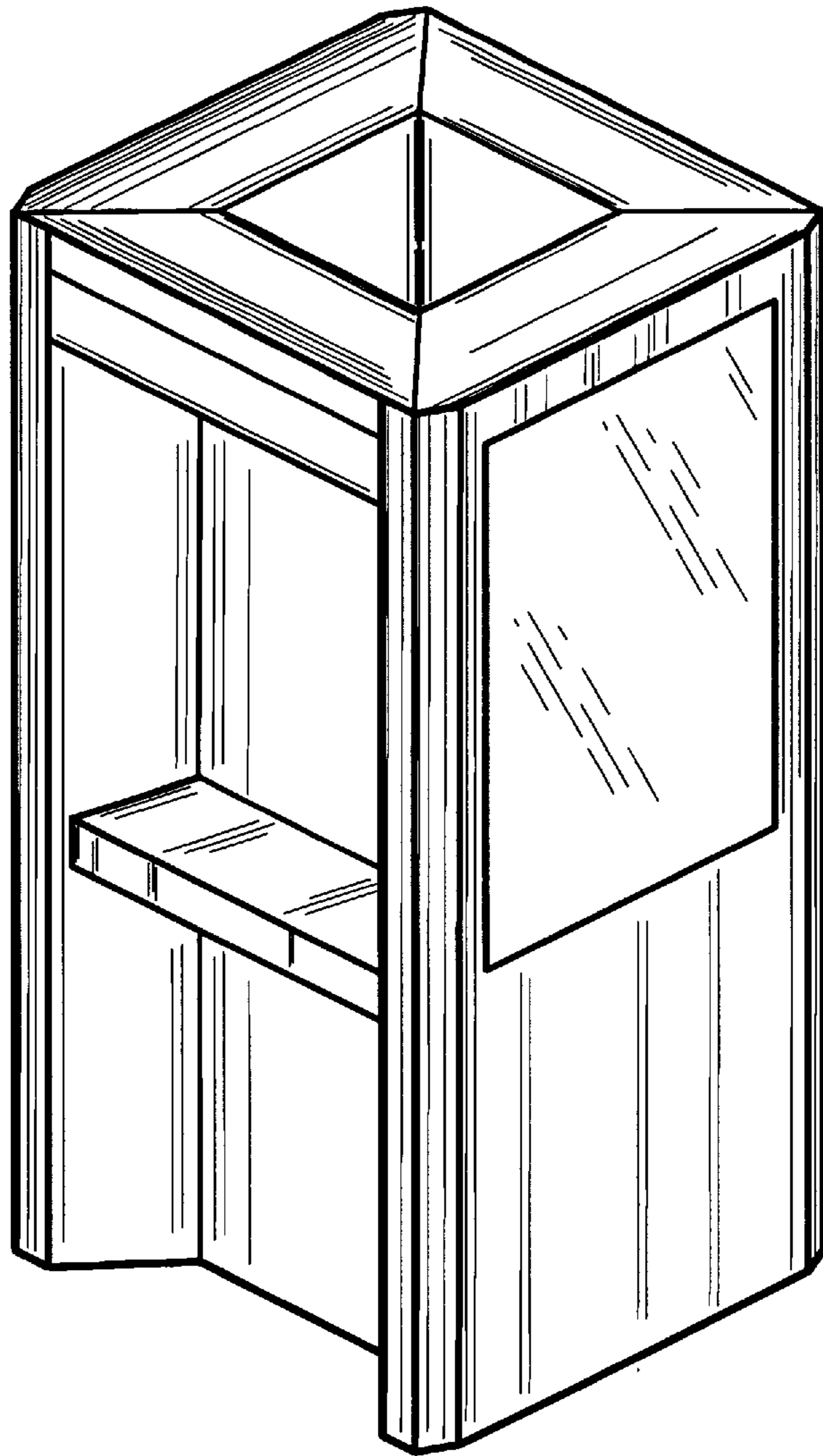


FIGURE 8

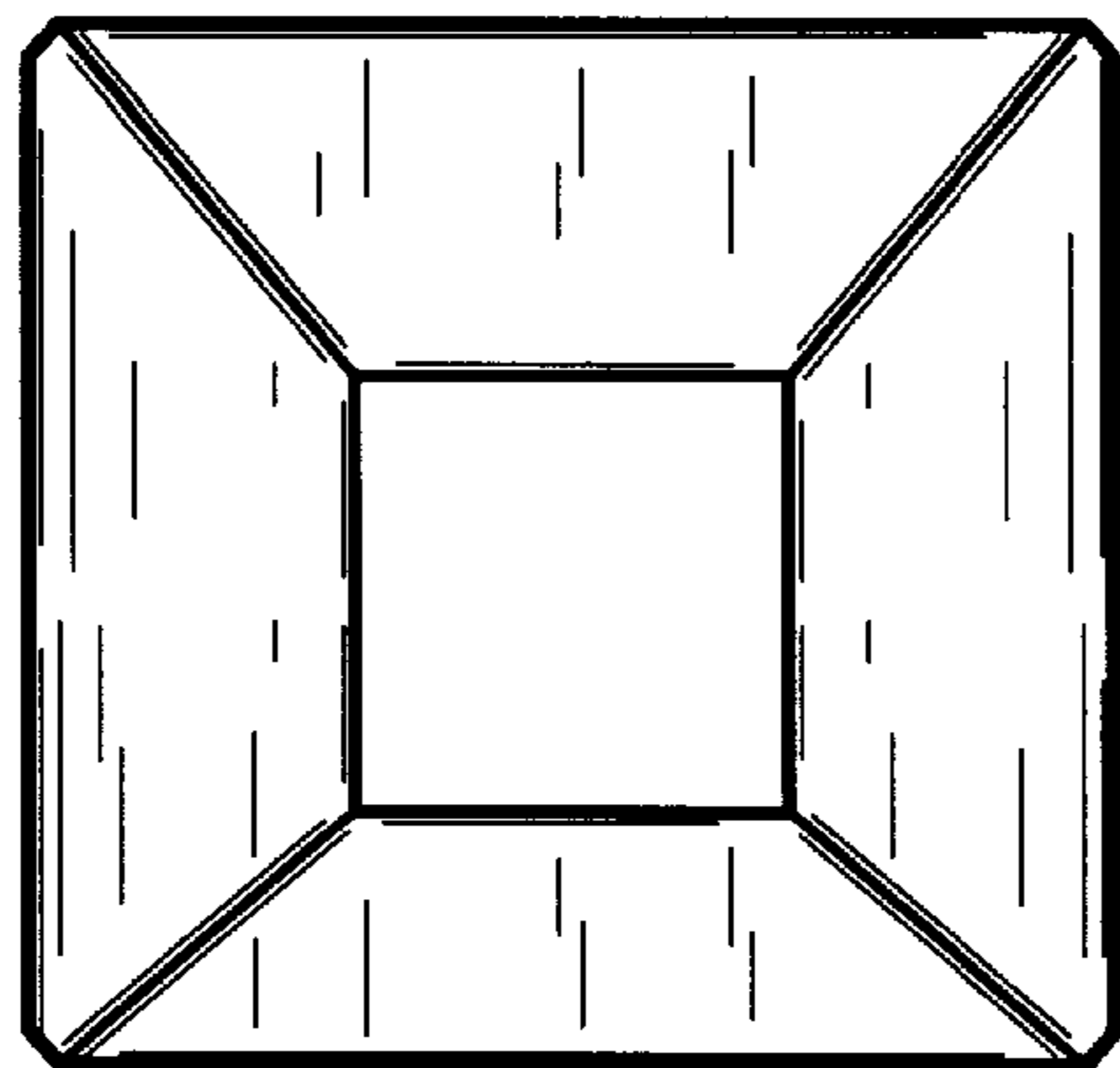


FIGURE 9

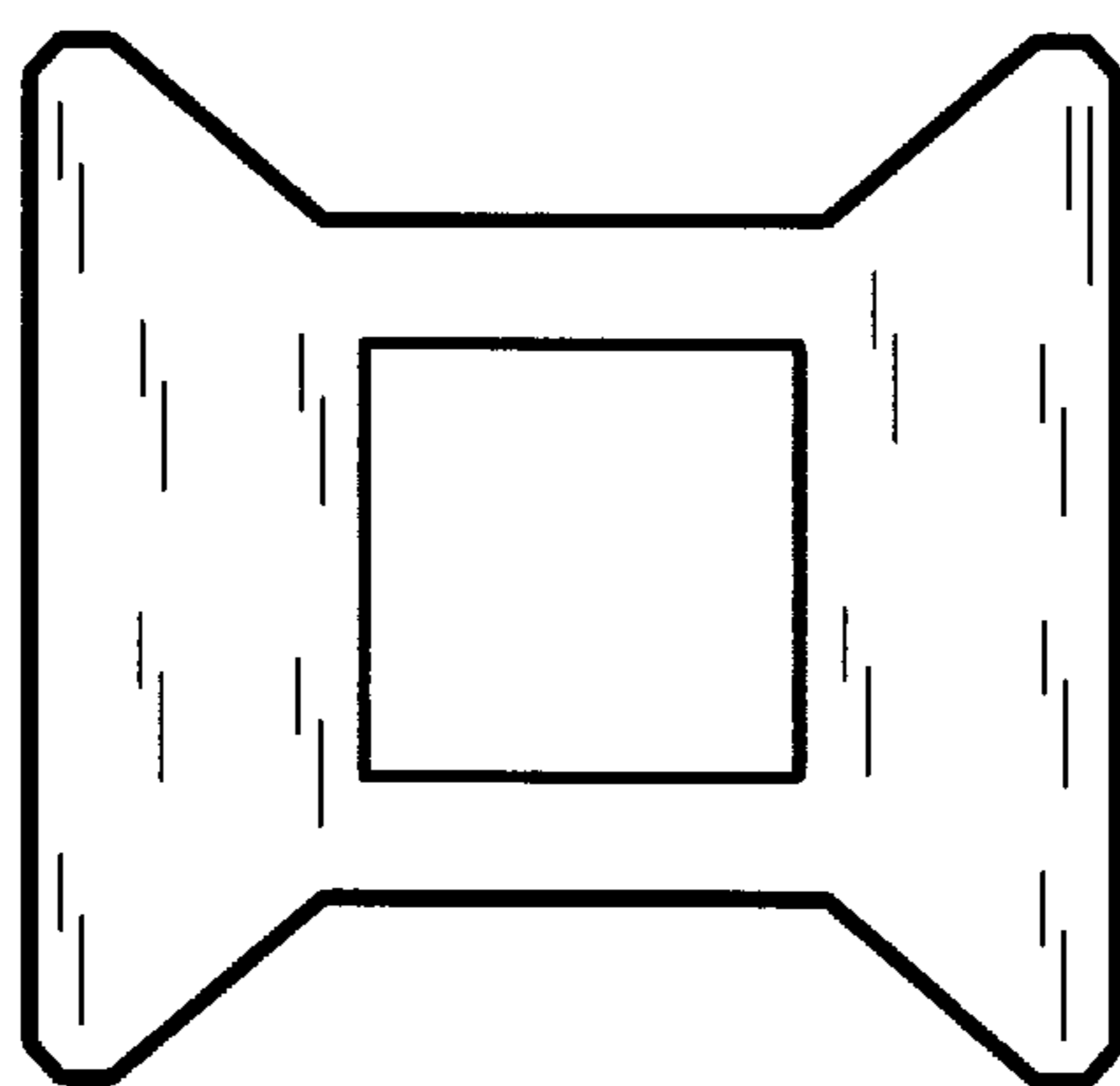


FIGURE 10

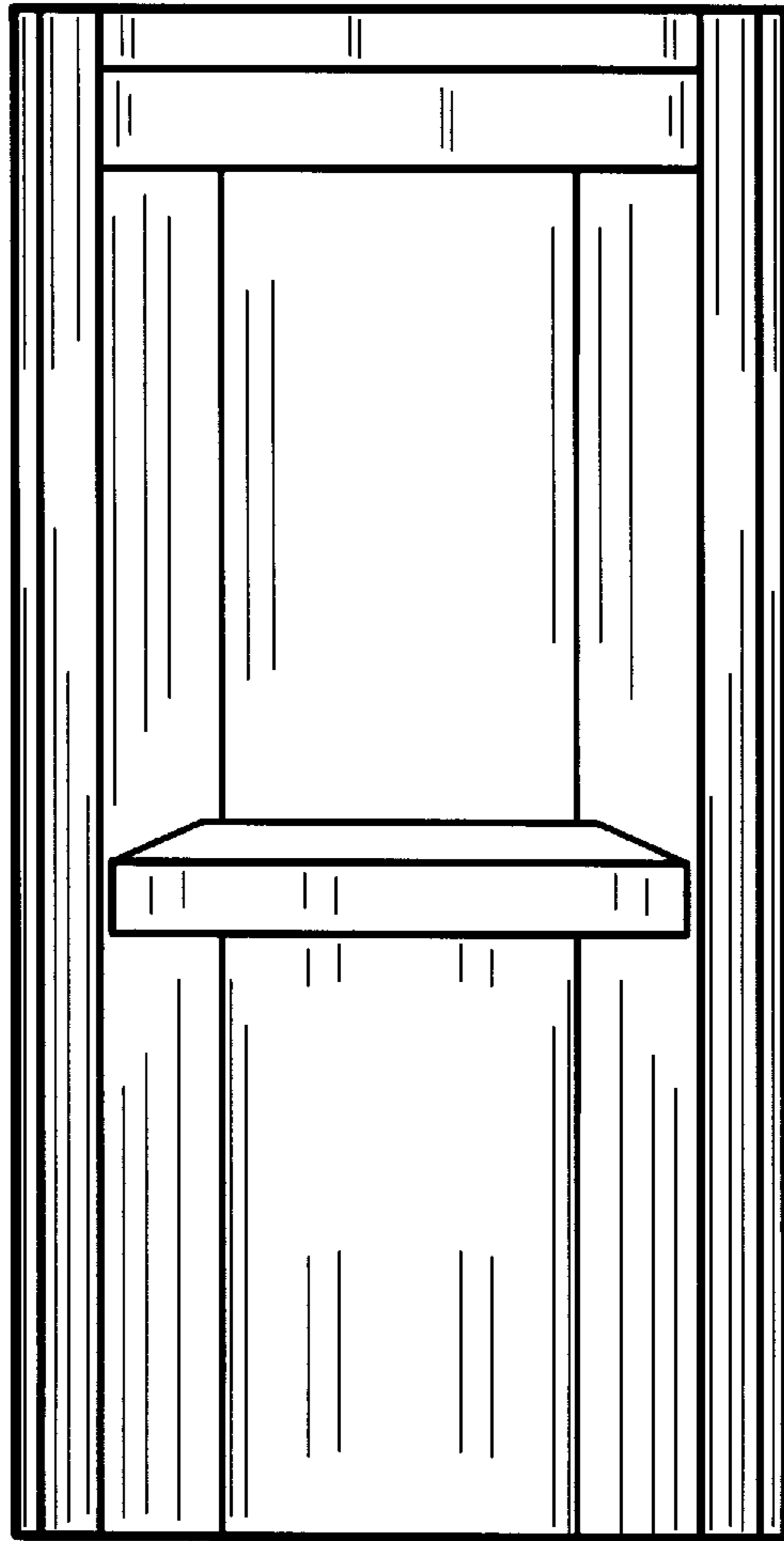


FIGURE 11

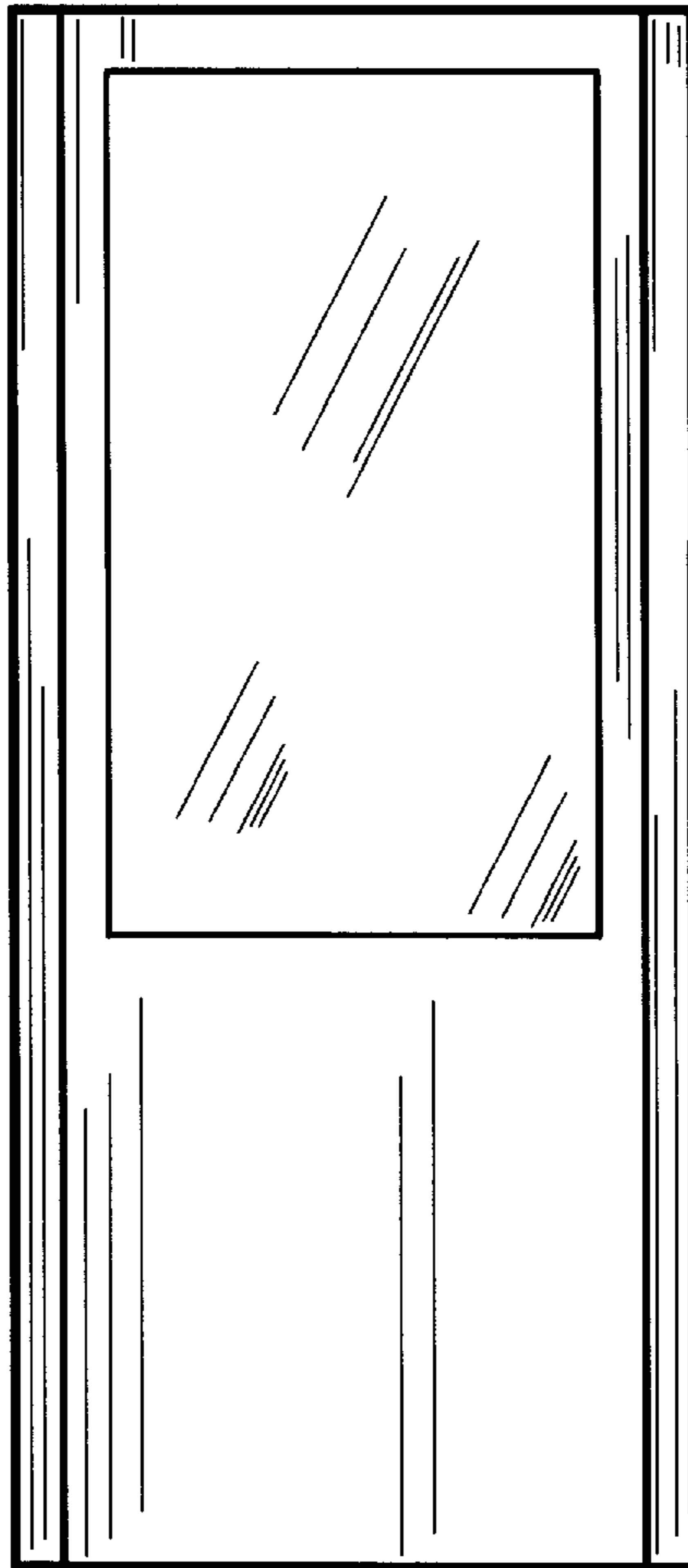


FIGURE 12