



US00D399970S

United States Patent [19]

Agarwala et al.

[11] Patent Number: **Des. 399,970**

[45] Date of Patent: ****Oct. 20, 1998**

[54] **TRANSCUTANEOUS ELECTRICAL NERVE STIMULATOR**

D. 323,561 1/1992 Bartelt et al. D24/200
4,989,605 2/1991 Rossen 607/46

[75] Inventors: **Poonam Agarwala; David M. Zuppan,**
both of Brighton, Minn.

Primary Examiner—Stella Reid
Attorney, Agent, or Firm—Kinney & Lange, P.A.

[73] Assignee: **Empi, Inc.,** St. Paul, Minn.

[57] **CLAIM**

[**] Term: **14 Years**

The ornamental design for a transcutaneous electrical nerve stimulator, as shown and described.

[21] Appl. No.: **74,167**

DESCRIPTION

[22] Filed: **Jul. 29, 1997**

FIG. 1 is a perspective view;

[51] **LOC (6) Cl.** **24-04**

FIG. 2 is a top view;

[52] **U.S. Cl.** **D24/200**

FIG. 3 is a rear view;

[58] **Field of Search** D24/200; 607/45,
607/46, 62-64, 66, 71, 72, 70, 74, 76, 92,
115

FIG. 4 is a right side view;

FIG. 5 is a left side view;

FIG. 6 is a front view;

FIG. 7 is a bottom view;

[56] **References Cited**

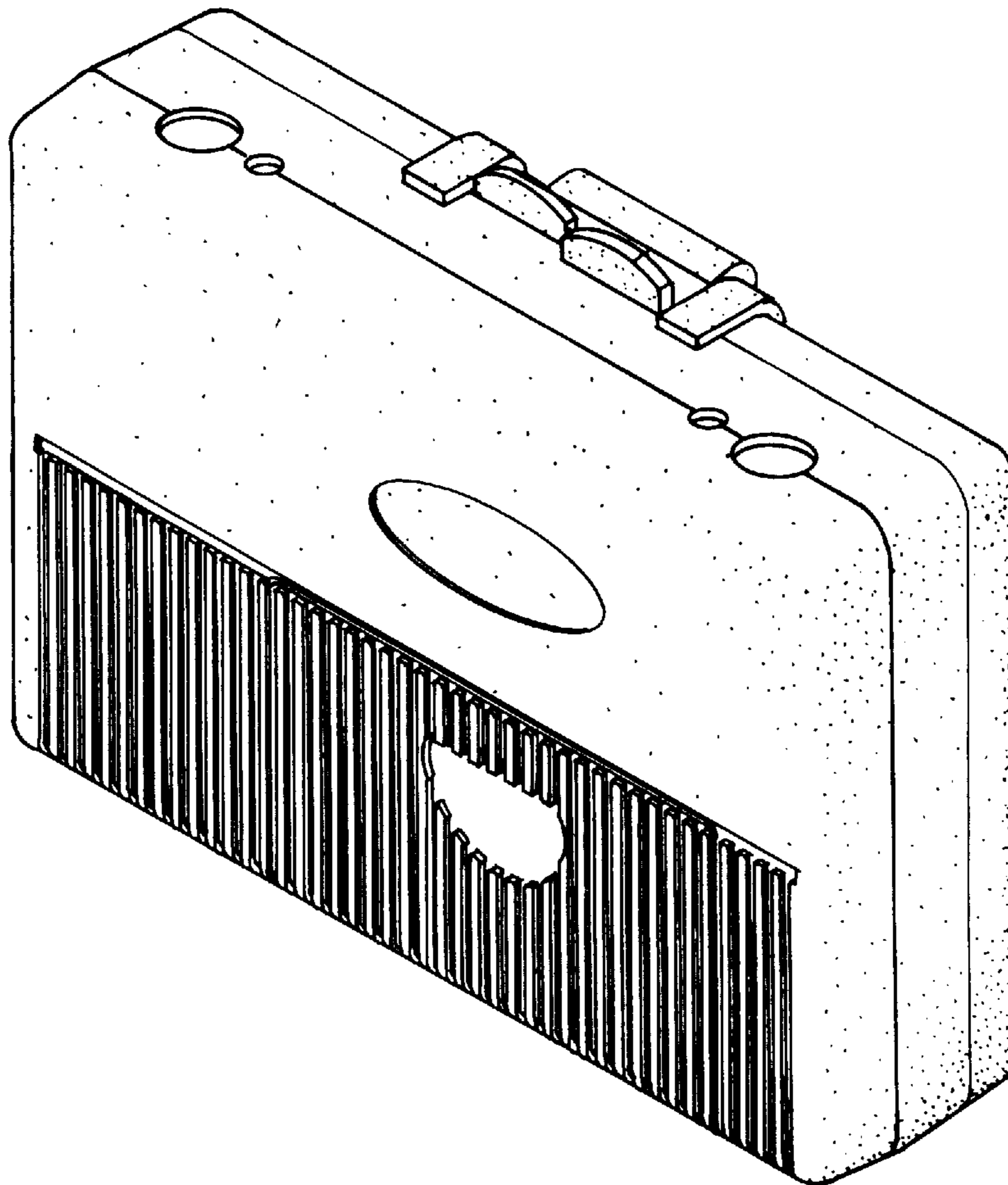
U.S. PATENT DOCUMENTS

D. 254,268 2/1980 D'Naenens et al. D24/200
D. 282,968 3/1986 Dickhudt D24/200
D. 287,635 1/1987 Walus D24/200

FIG. 8 is a perspective view with the front cover in a first open position; and,

FIG. 9 is a perspective view with the front cover in a second open position.

1 Claim, 5 Drawing Sheets



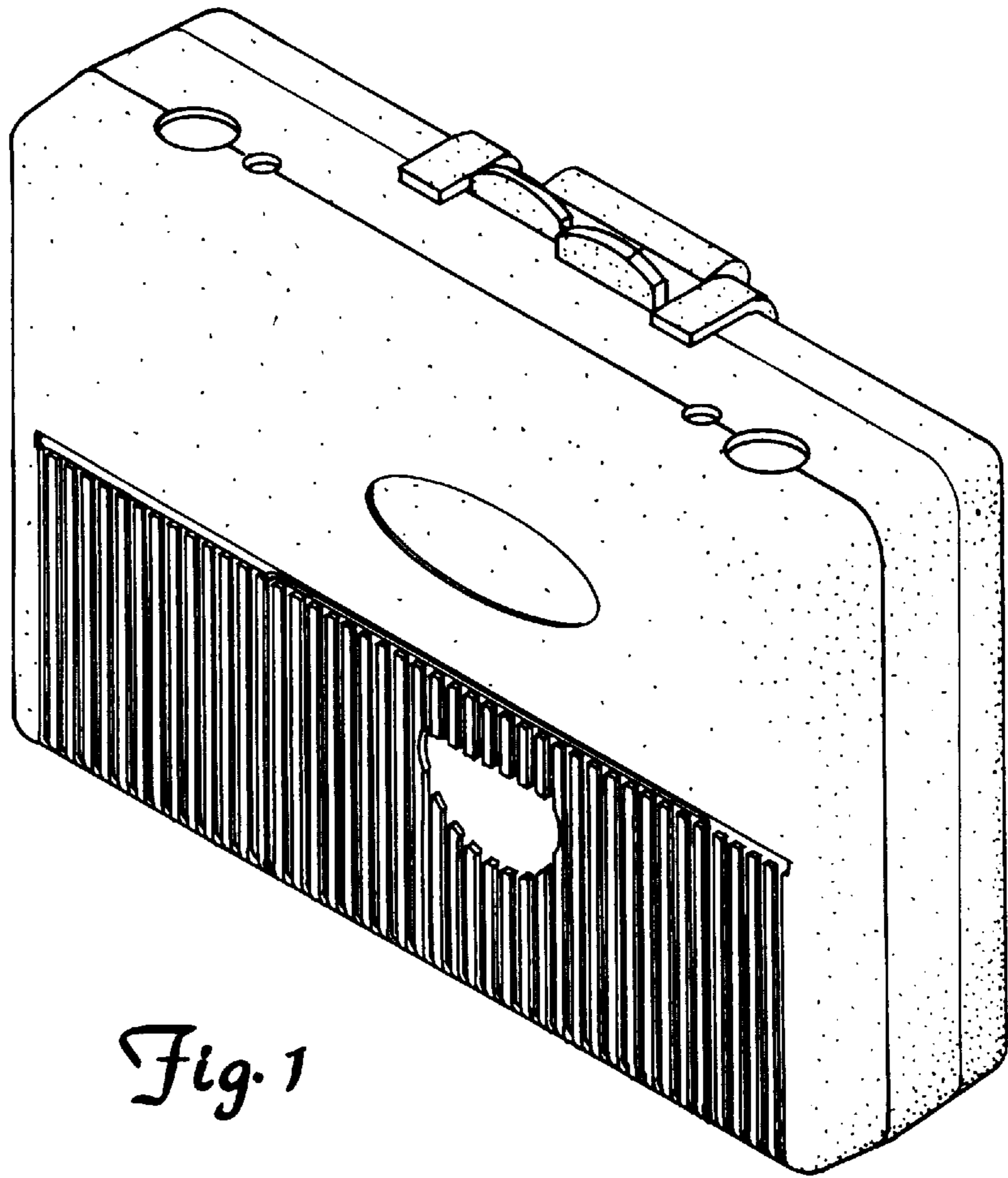


Fig. 1

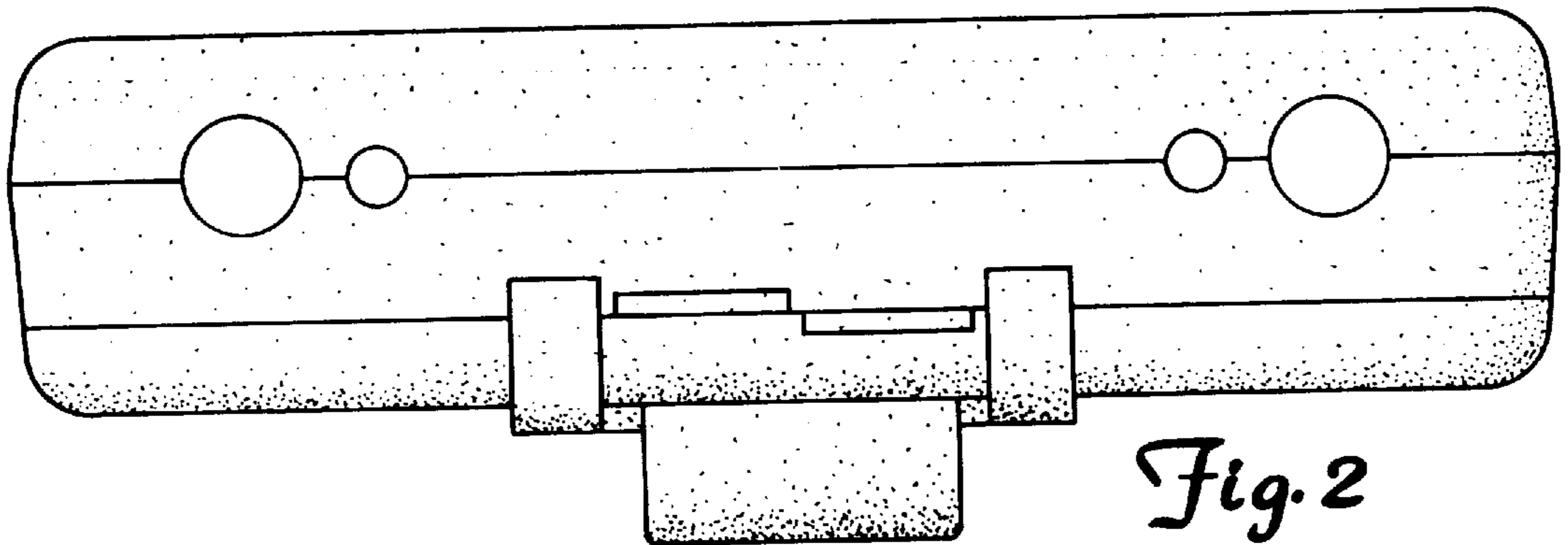


Fig. 2

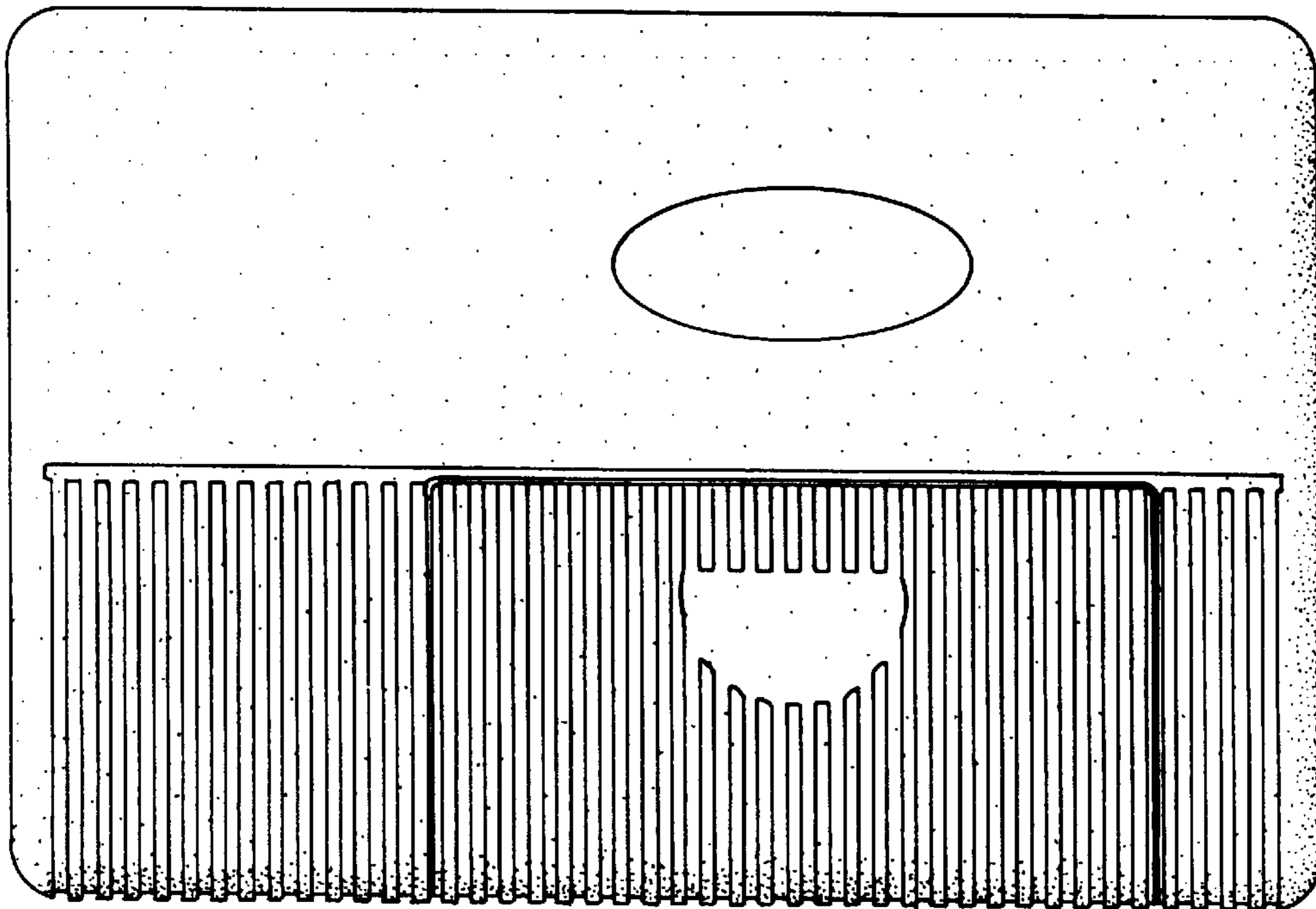


Fig. 3

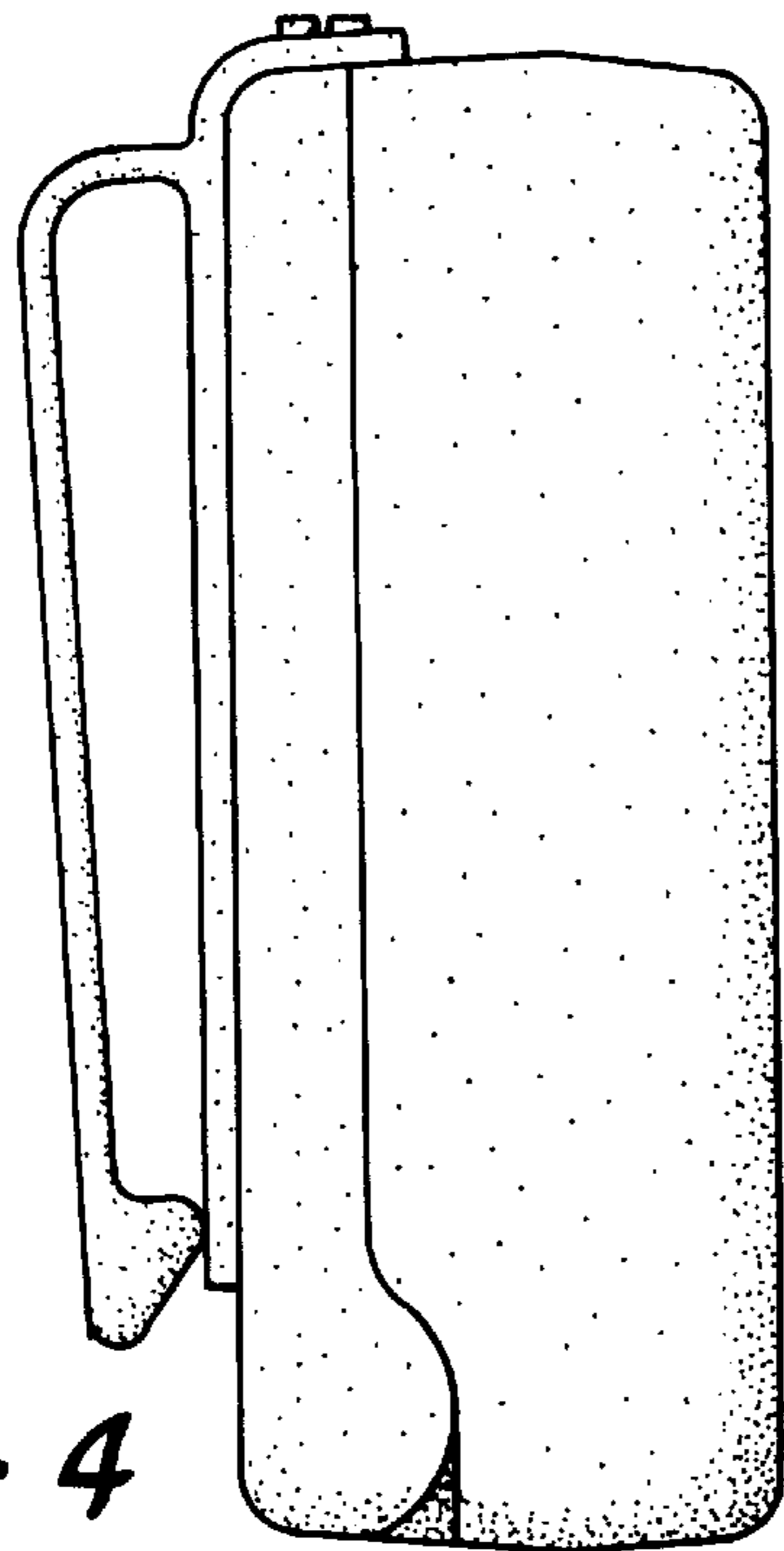


Fig. 4

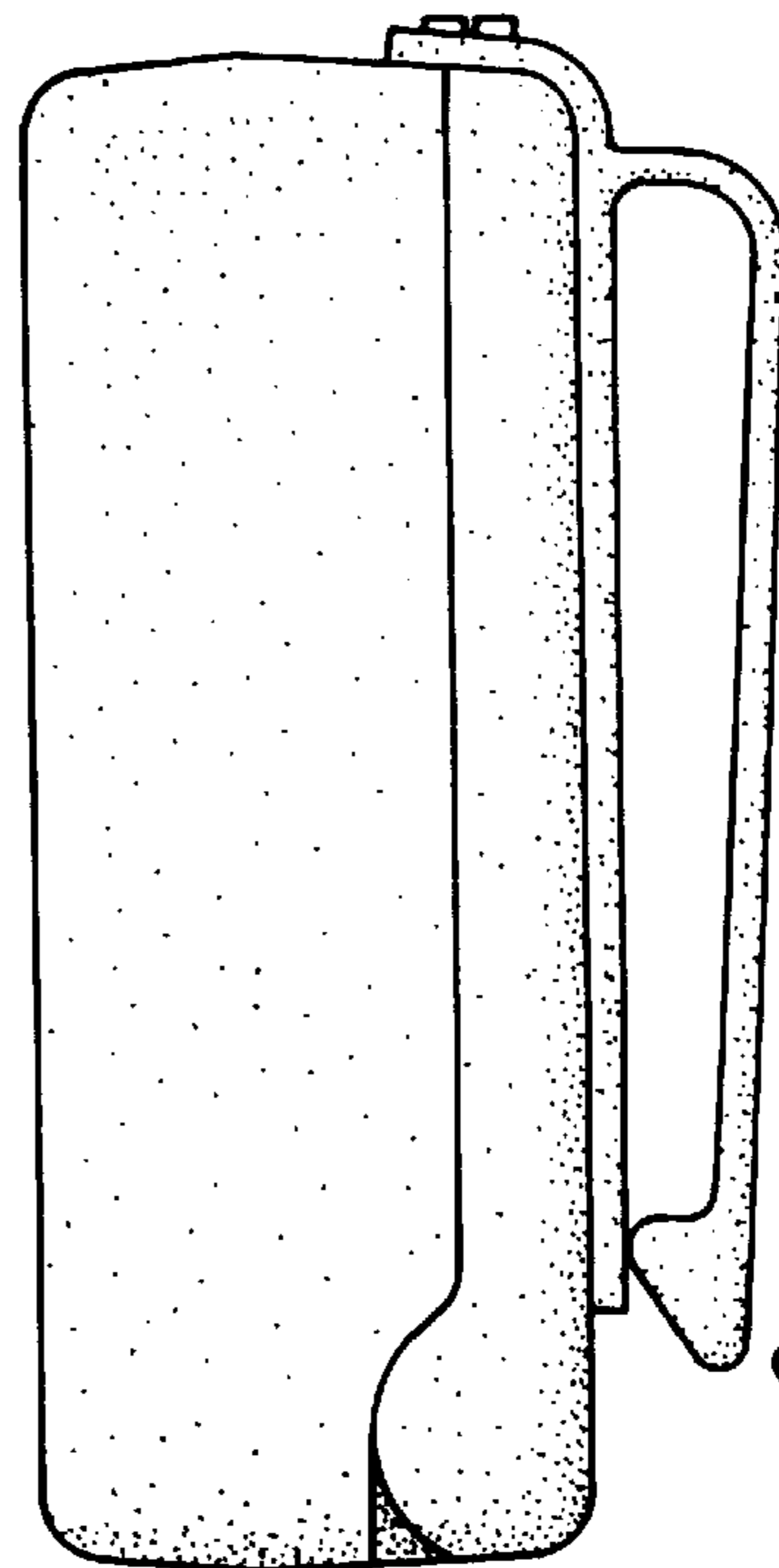


Fig. 5

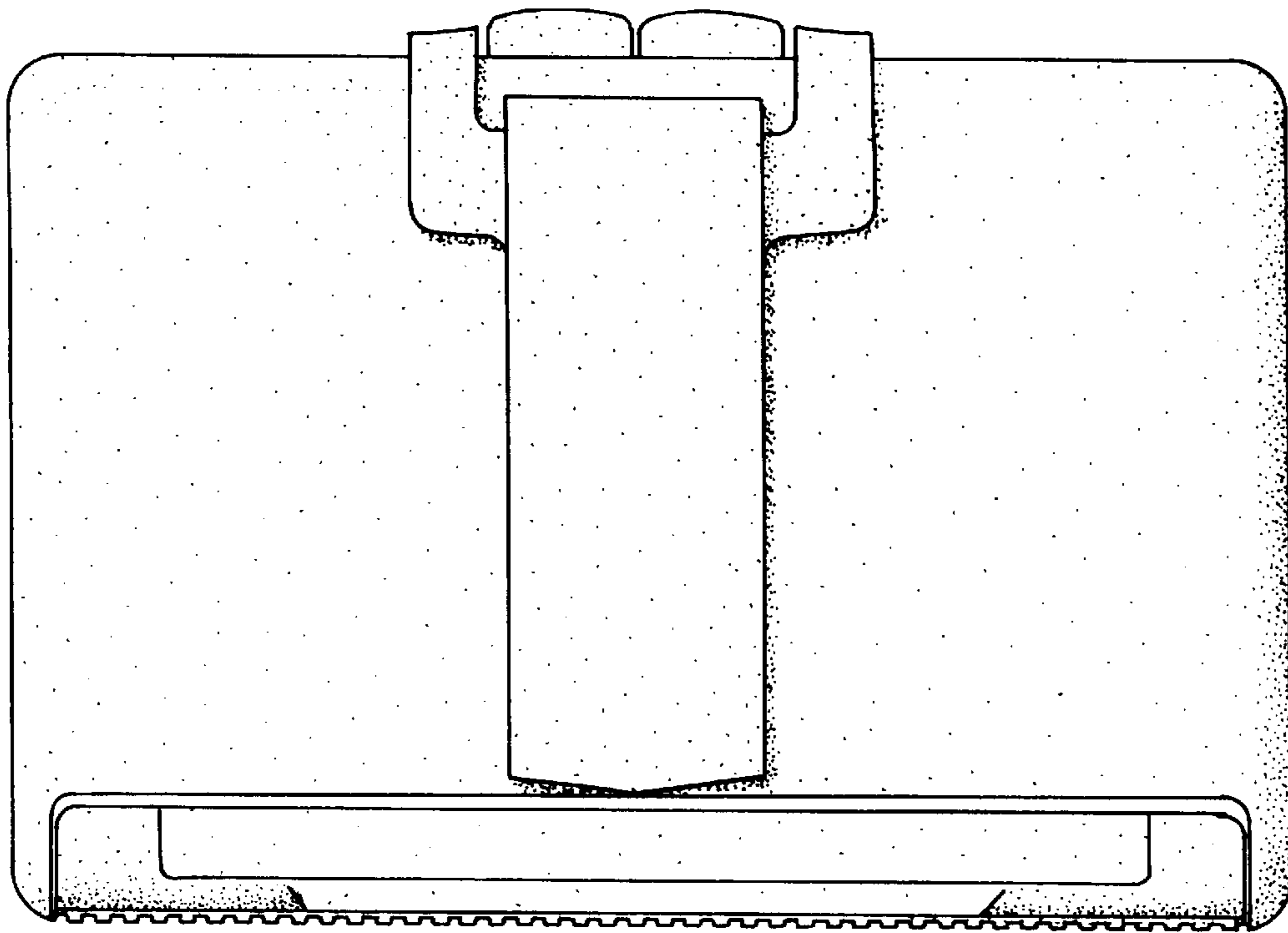


Fig. 6

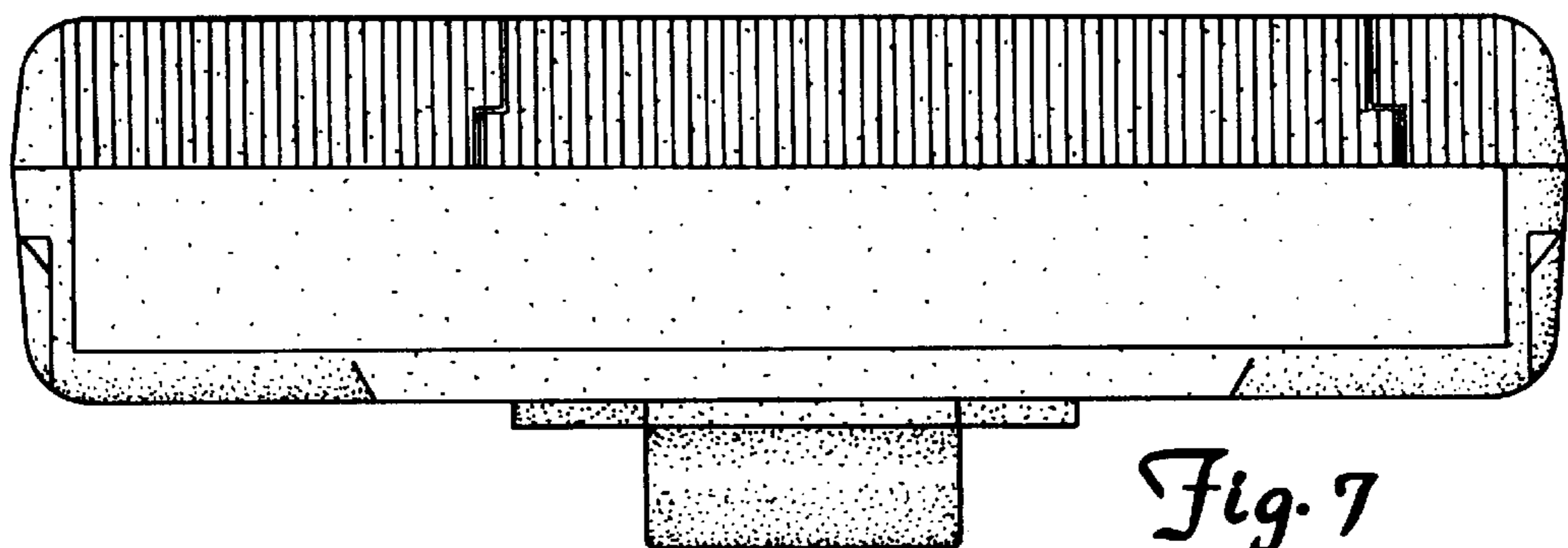


Fig. 7

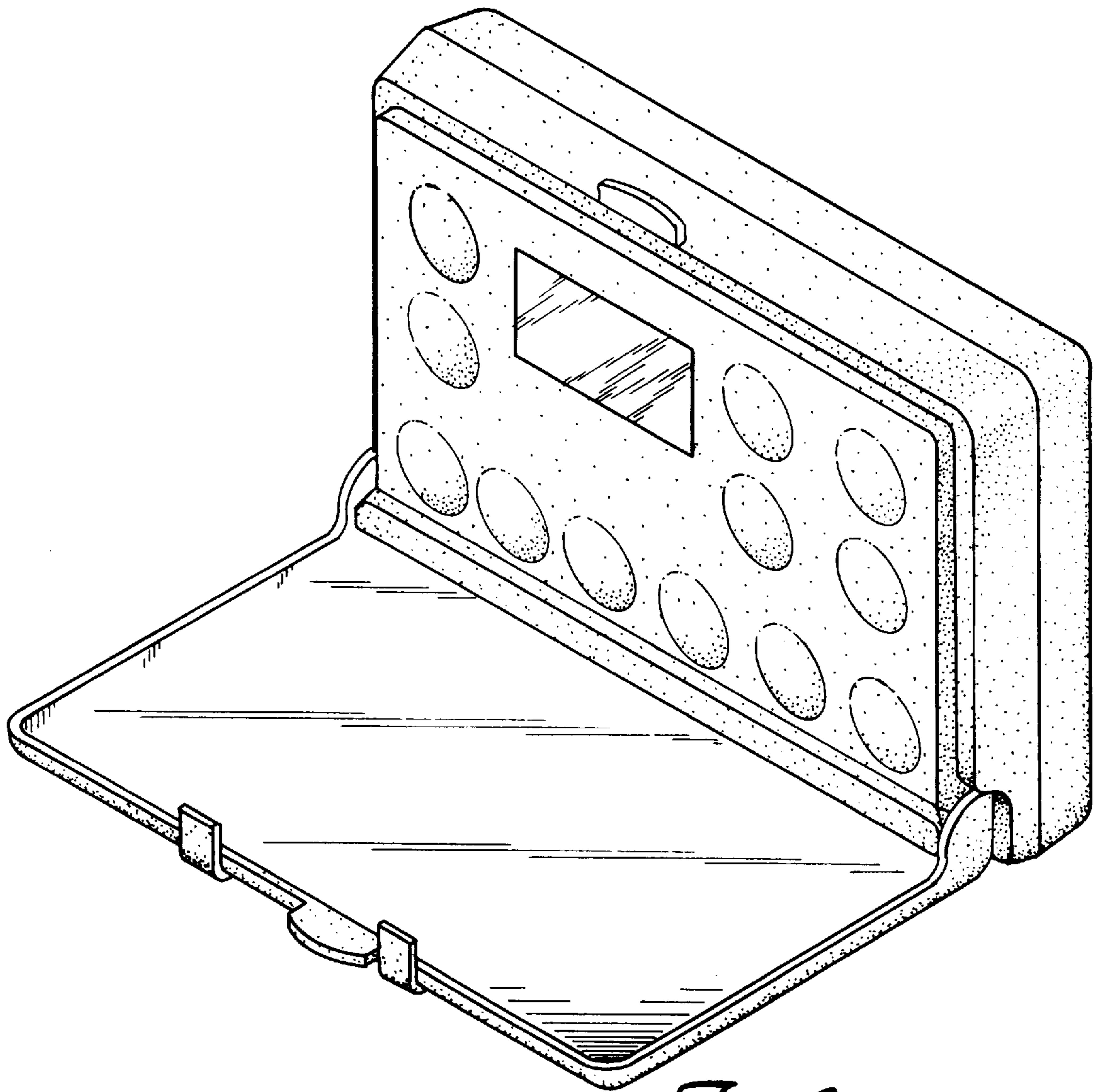


Fig. 8

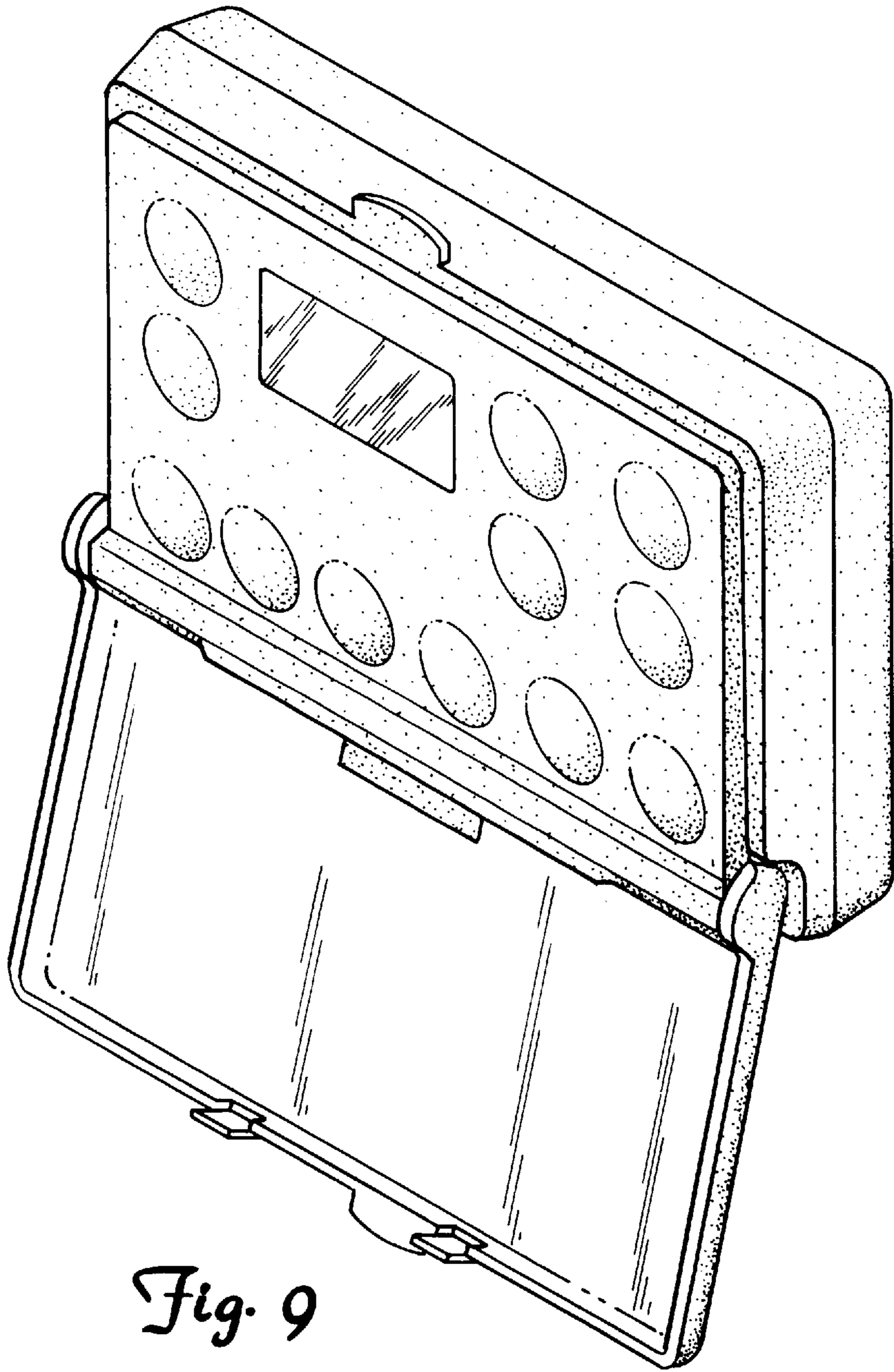


Fig. 9

UNITED STATES PATENT AND TRADEMARK OFFICE
CERTIFICATE OF CORRECTION

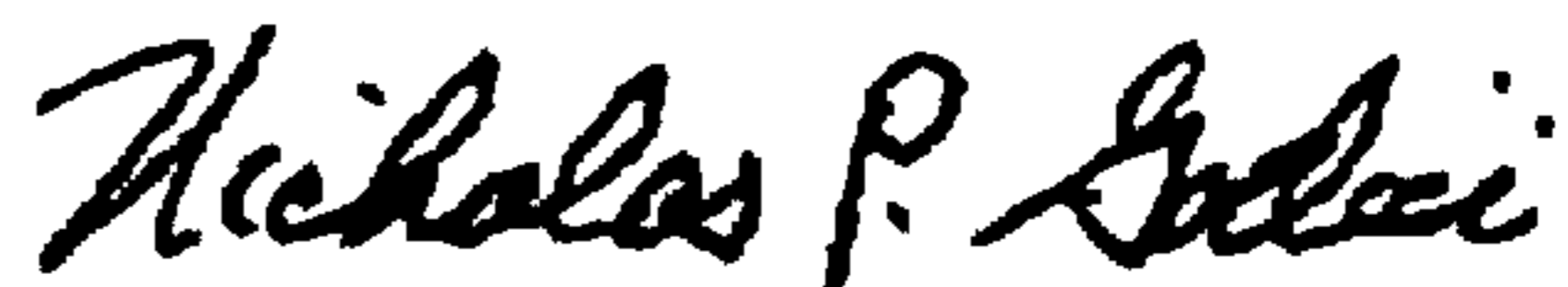
PATENT NO. : DES. 399,970
DATED : OCTOBER 20, 1998
INVENTOR(S) : POONAM AGARWALA ET AL.

It is certified that error appears in the above-identified patent and that said Letters Patent is hereby corrected as shown below:

On the Title Page, [75] Inventors: delete "Brighton, Minn.", insert --New Brighton, Minn.--

Signed and Sealed this
Twenty-ninth Day of May, 2001

Attest:



NICHOLAS P. GODICI

Attesting Officer

Acting Director of the United States Patent and Trademark Office