



US00D399966S

# United States Patent [19]

Brown et al.

[11] Patent Number: **Des. 399,966**

[45] Date of Patent: **\*\*Oct. 20, 1998**

[54] **SUPPORT FOR LEG OR ARM**

[75] Inventors: **Lawrence A. Brown**, Pekin, Ind.;  
**Karen L. Bonn**, Brandenburg, Ky.

[73] Assignee: **Restorative Medical, Inc.**,  
Brandenburg, Ky.

[\*\*] Term: **14 Years**

[21] Appl. No.: **72,435**

[22] Filed: **Jun. 14, 1997**

[51] **LOC (6) Cl.** ..... **24-04**

[52] **U.S. Cl.** ..... **D24/190**

[58] **Field of Search** ..... D24/190, 192,  
D24/188; 602/40, 32, 36; 606/240, 241,  
245

[56] **References Cited**

**U.S. PATENT DOCUMENTS**

- D. 367,118 2/1996 Miller et al. .... D24/188
- 3,222,029 12/1965 Hildemann ..... D24/188 X
- 4,616,637 10/1986 Caspari et al. .... 602/36 X

- 4,809,687 3/1989 Allen ..... 602/40 X
- 5,419,756 5/1995 McConnell ..... 602/36
- 5,632,726 5/1997 Repice et al. .... 602/36

*Primary Examiner*—Stella Reid  
*Attorney, Agent, or Firm*—Middleton & Reutlinger; James C. Eaves, Jr.

[57] **CLAIM**

The ornamental design for a support for leg or arm, as shown and described.

**DESCRIPTION**

FIG. 1 is a front left side perspective view of a support for leg or arm, showing our new design, the broken line showing of the leg is for illustrative purposes only and forms no part of the claimed design;

FIG. 2 is a left side view thereof, the right side view being a mirror image thereto;

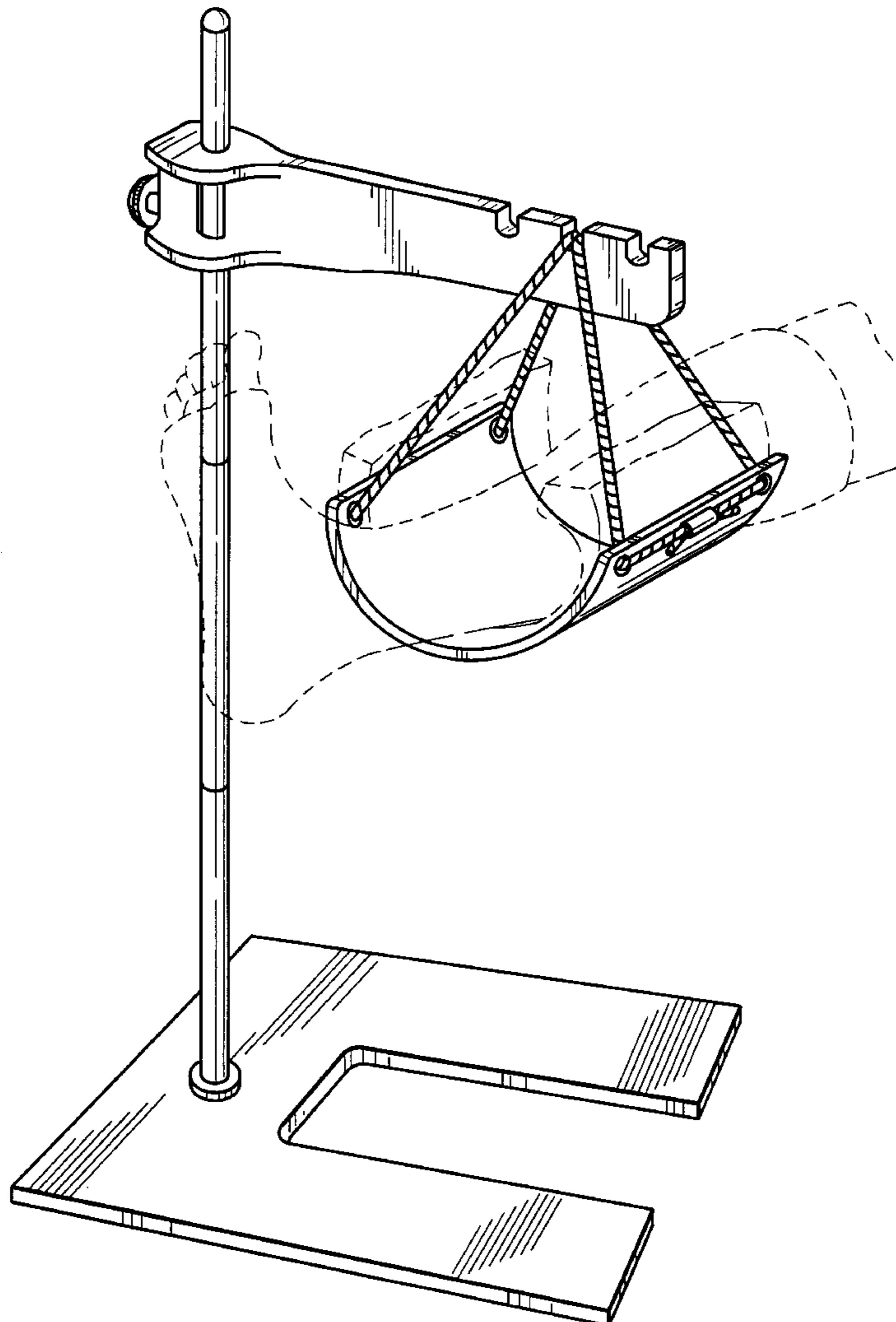
FIG. 3 is a front view thereof;

FIG. 4 is a rear view thereof;

FIG. 5 is a top view thereof; and,

FIG. 6 is a bottom view thereof.

**1 Claim, 3 Drawing Sheets**



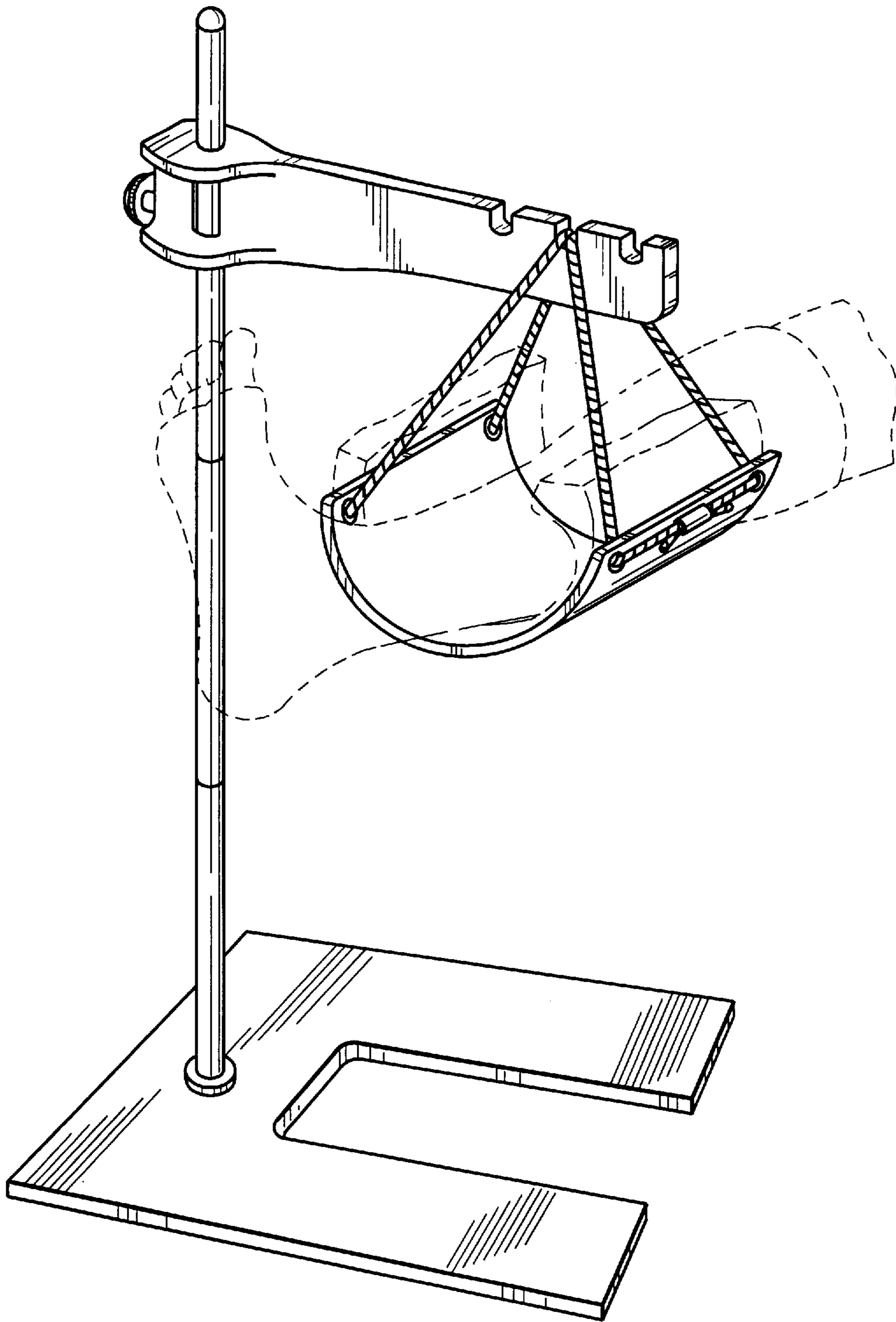


FIG. 1

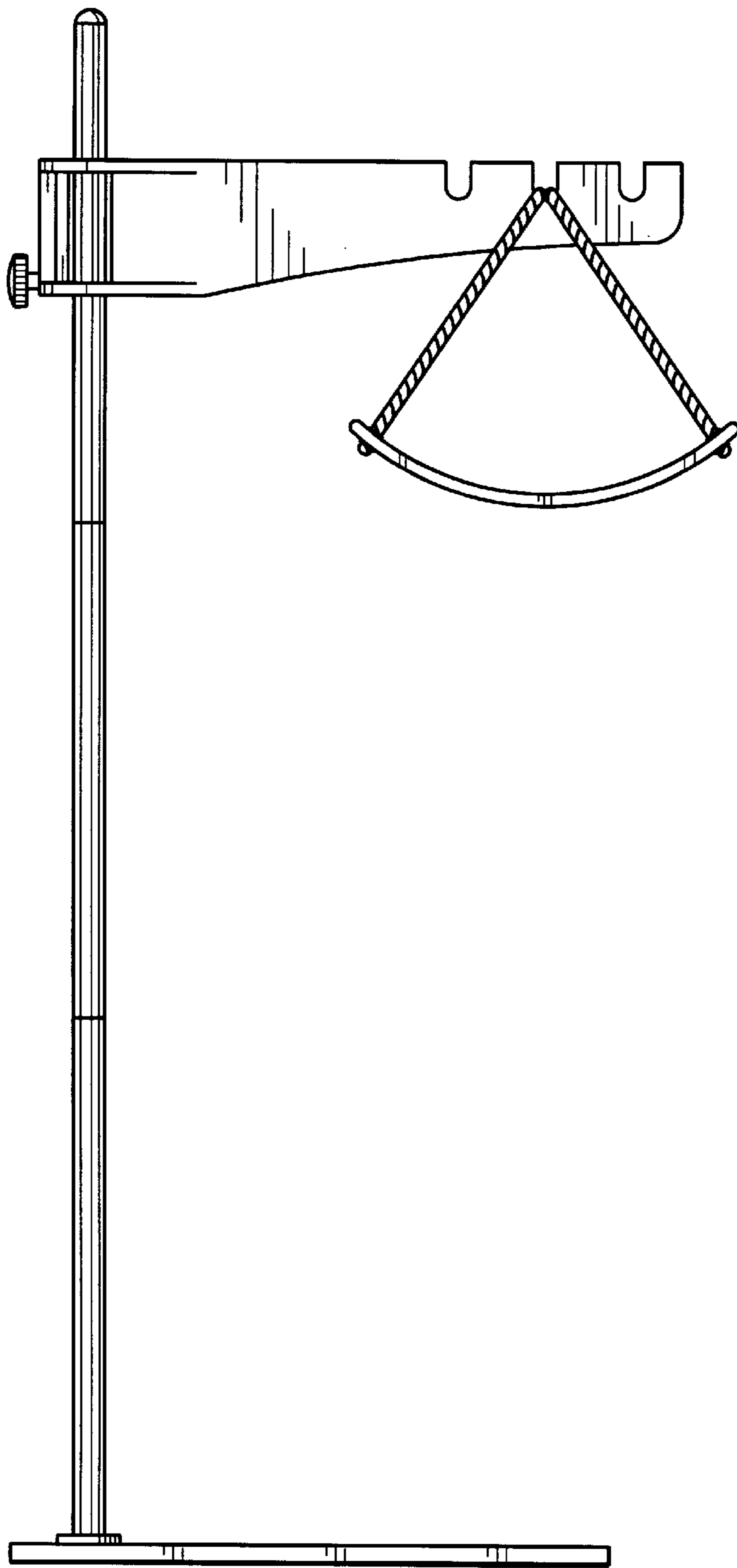


FIG. 2

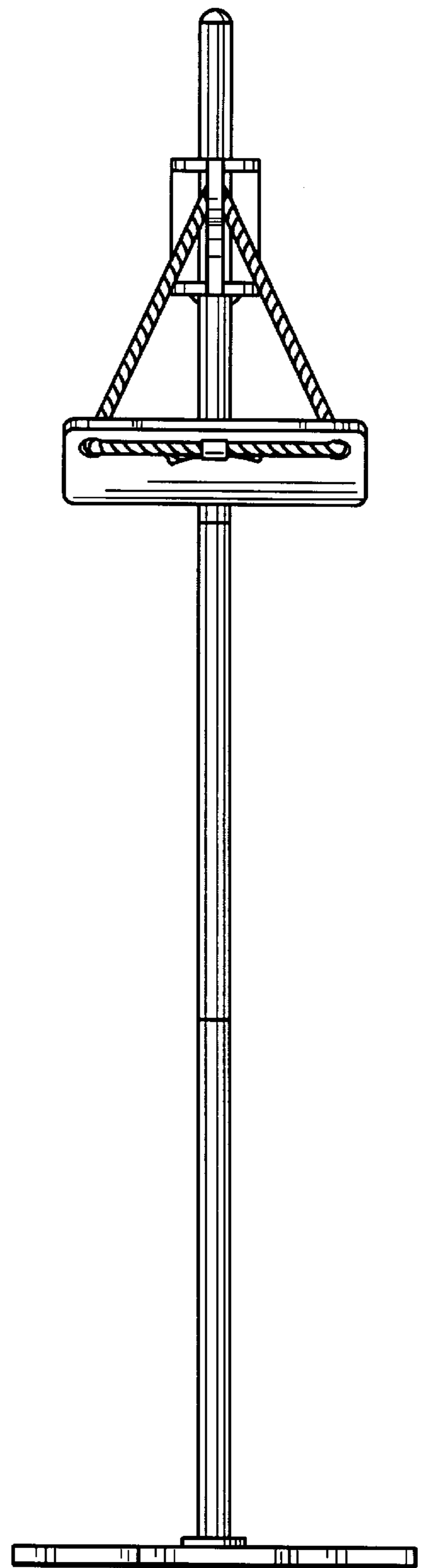


FIG. 3

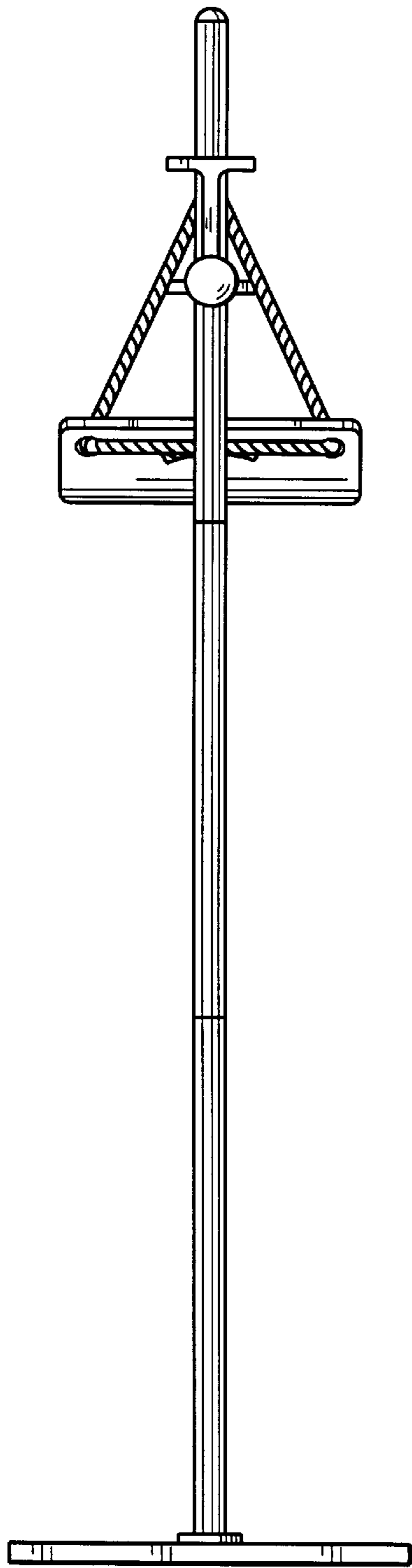


FIG. 4

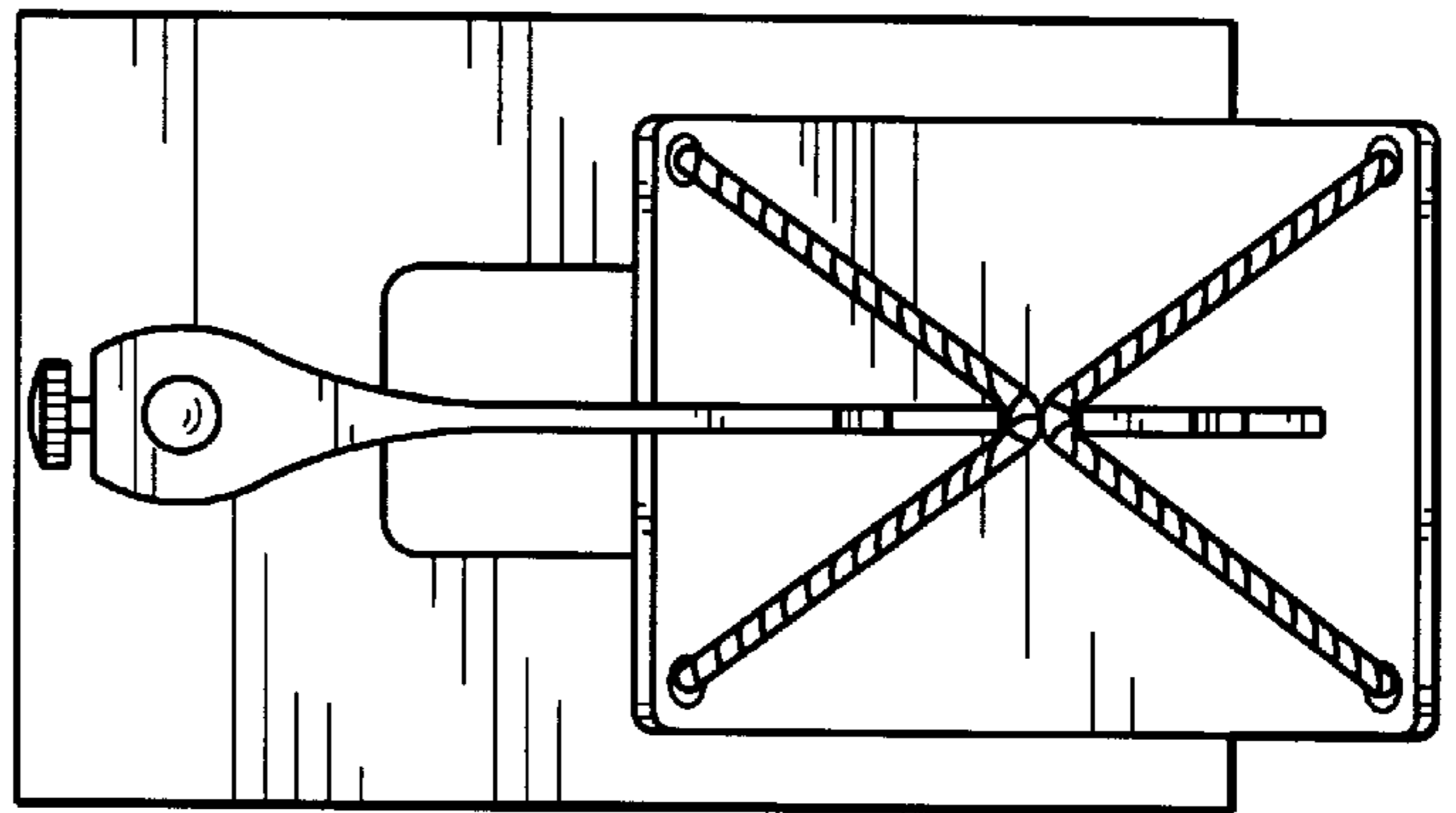


FIG. 5

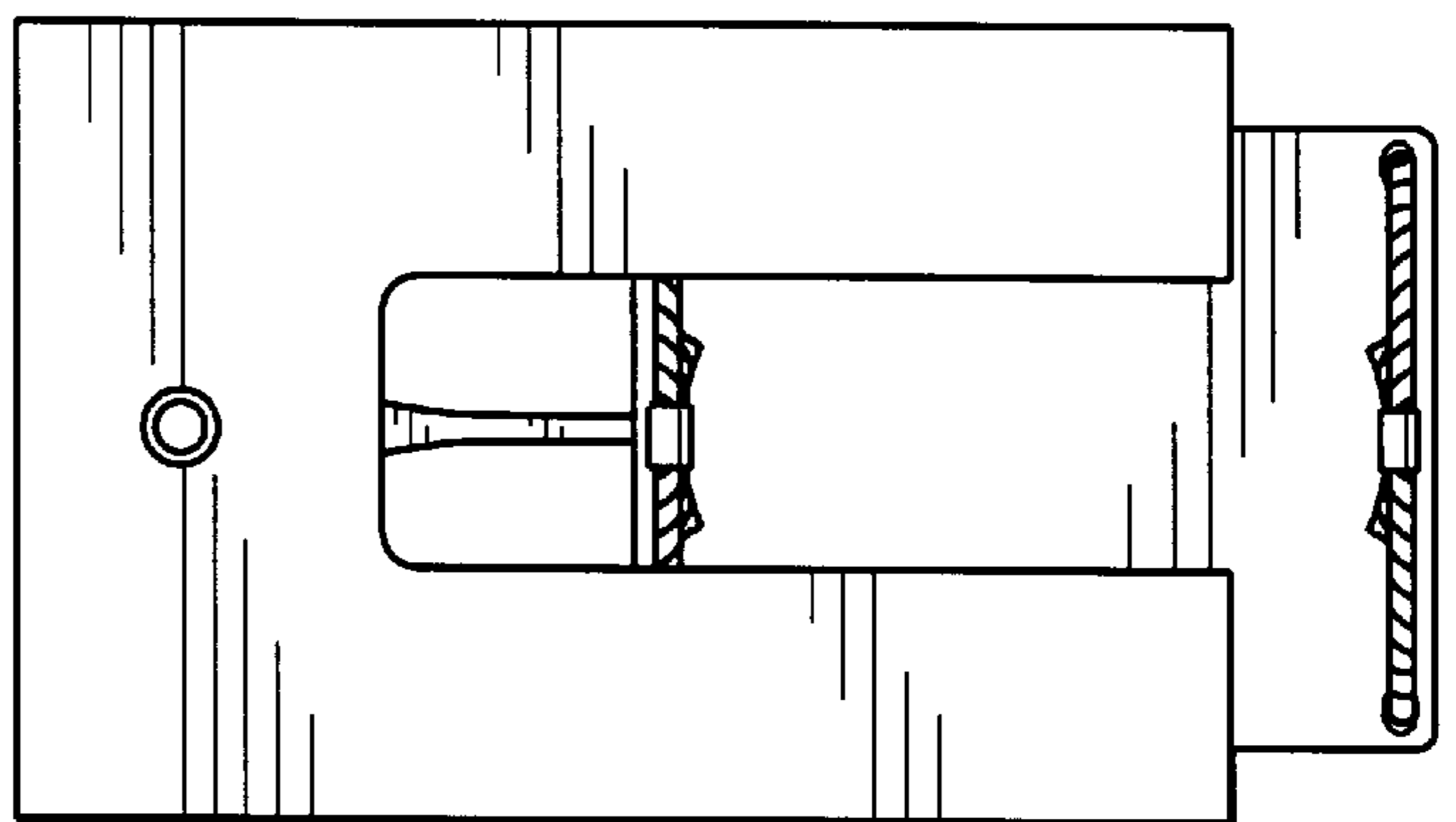


FIG. 6