



US00D399958S

United States Patent [19]
Hiramatsu

[11] **Patent Number: Des. 399,958**
[45] **Date of Patent: **Oct. 20, 1998**

[54] **SCANNER FOR AN X-RAY TOMOGRAPHY DIAGNOSTIC MACHINE**

OTHER PUBLICATIONS

[75] Inventor: **Kenzo Hiramatsu**, Musashino, Japan

Hitachi Catalog, (admitted prior art).

[73] Assignee: **Kabushiki Kaisha Toshiba**, Kawasaki, Japan

Primary Examiner—Louis S. Zarfes
Assistant Examiner—G. Albert Andoll
Attorney, Agent, or Firm—Oblon, Spivak, McClelland, Maier & Neustadt, P.C.

[**] Term: **14 Years**

[21] Appl. No.: **74,689**

[57] **CLAIM**

[22] Filed: **Jul. 28, 1997**

The ornamental design for a scanner for an x-ray tomography diagnostic machine, as shown and described.

[51] **LOC (6) Cl.** **24-01**

DESCRIPTION

[52] **U.S. Cl.** **D24/158**

[58] **Field of Search** D24/158-160;
D10/46, 47; 378/17, 19, 20, 4

FIG. 1 is a front, top and right side perspective view of a scanner for an x-ray tomography diagnostic machine, showing my new design;

[56] **References Cited**

U.S. PATENT DOCUMENTS

D. 246,111	10/1977	Steinhilber	D24/158
D. 355,719	2/1995	Murakami et al.	D24/159
4,578,801	3/1986	Oliver	378/19
5,164,973	11/1992	Takahashi et al.	378/19

FIG. 2 is a front elevational view thereof;

FIG. 3 is a rear elevational view thereof;

FIG. 4 is a right side elevational view thereof; the opposite side being a mirror image thereof;

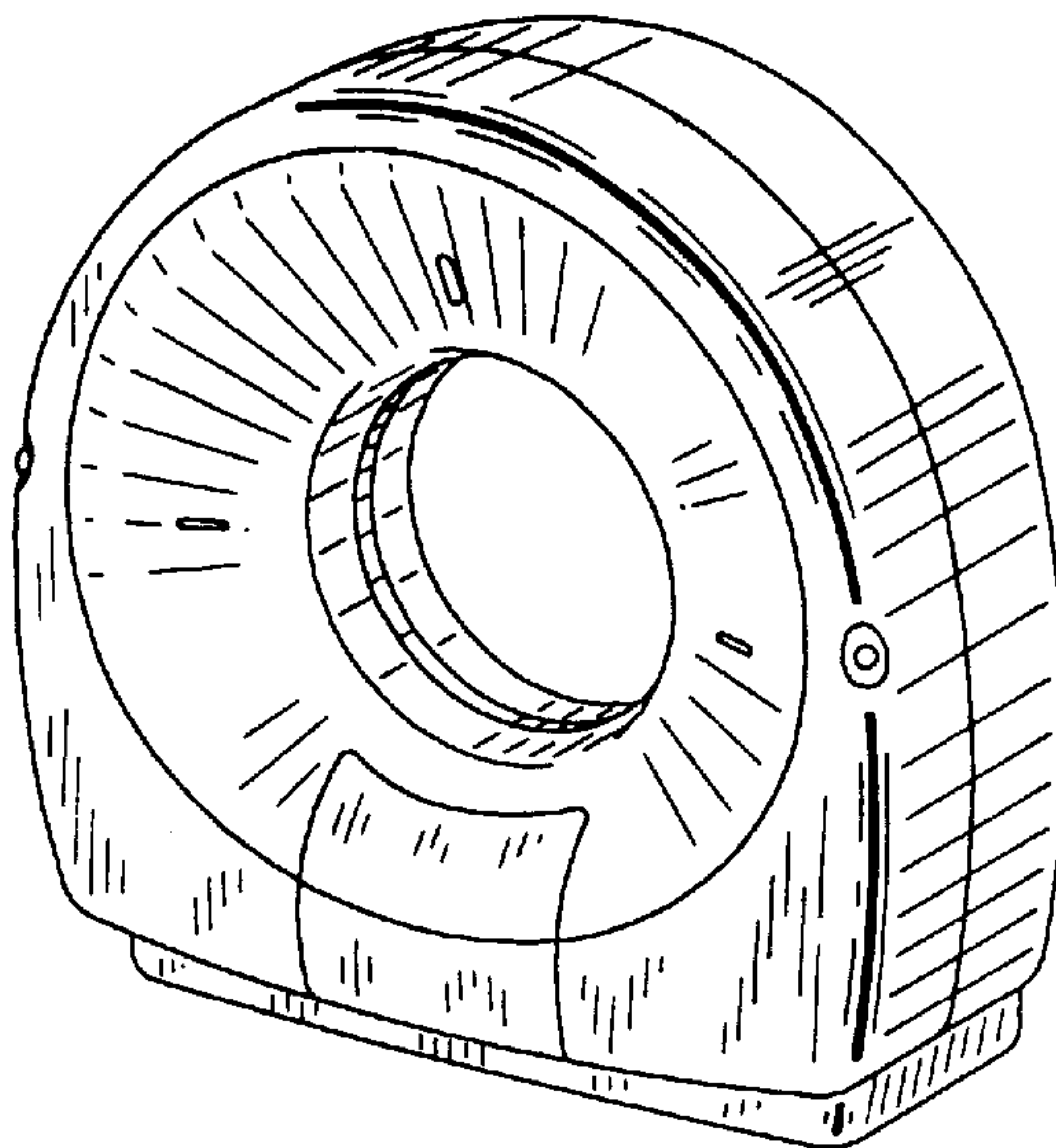
FIG. 5 is a top plan view thereof; and,

FIG. 6 is a bottom plan view thereof.

FOREIGN PATENT DOCUMENTS

879283 9/1993 Japan .

1 Claim, 1 Drawing Sheet



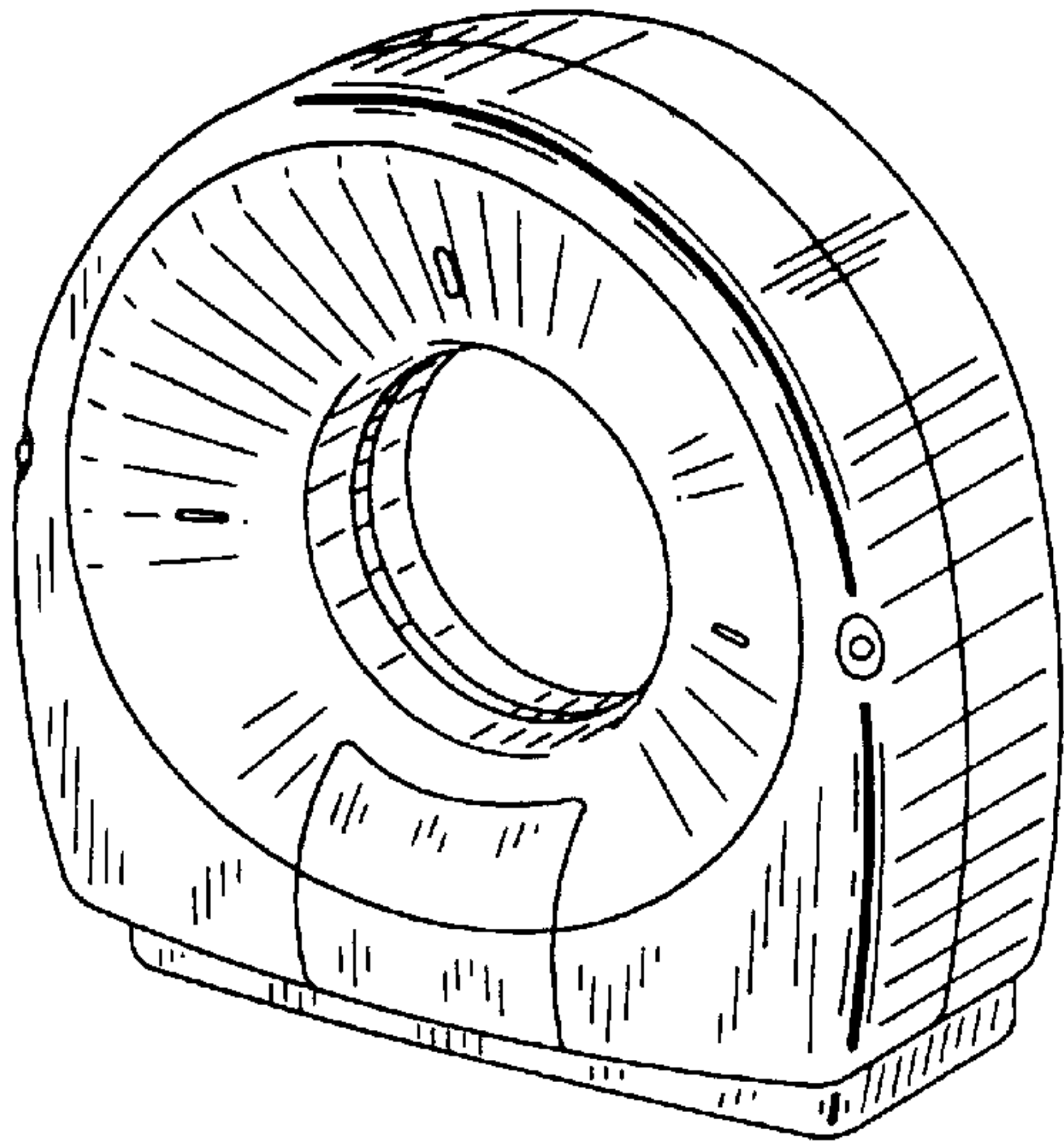


FIG. 1

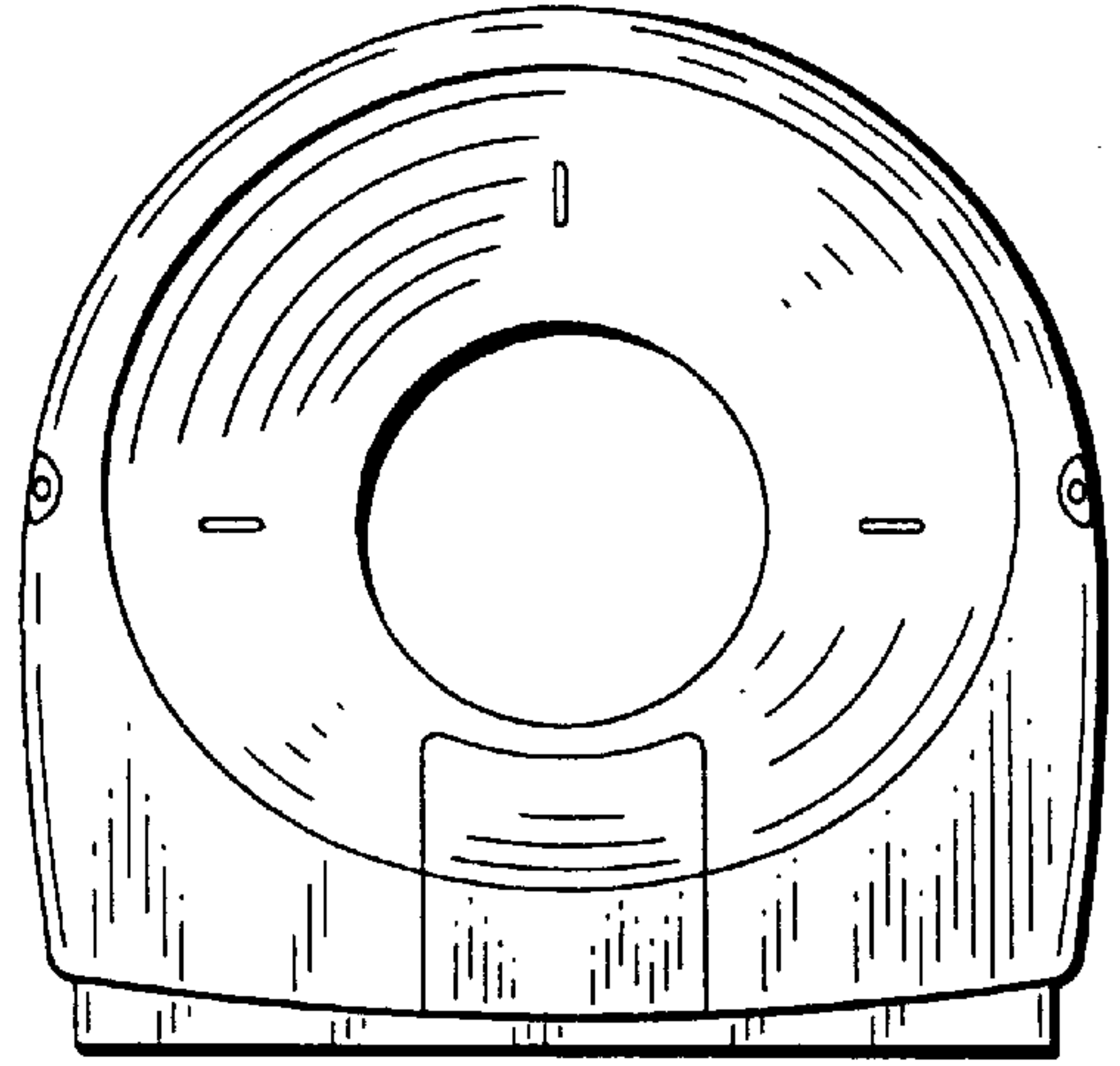


FIG. 2

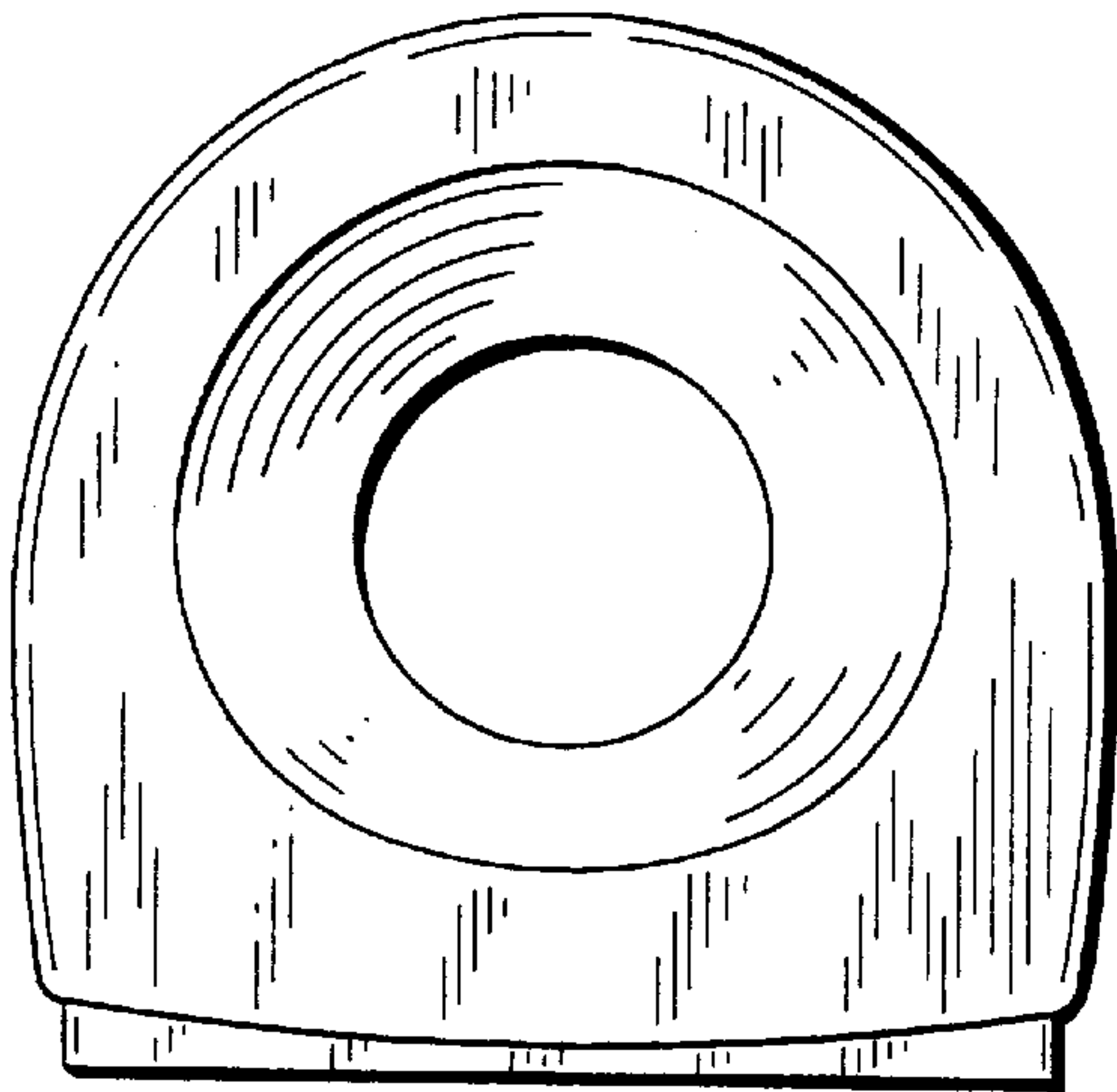


FIG. 3

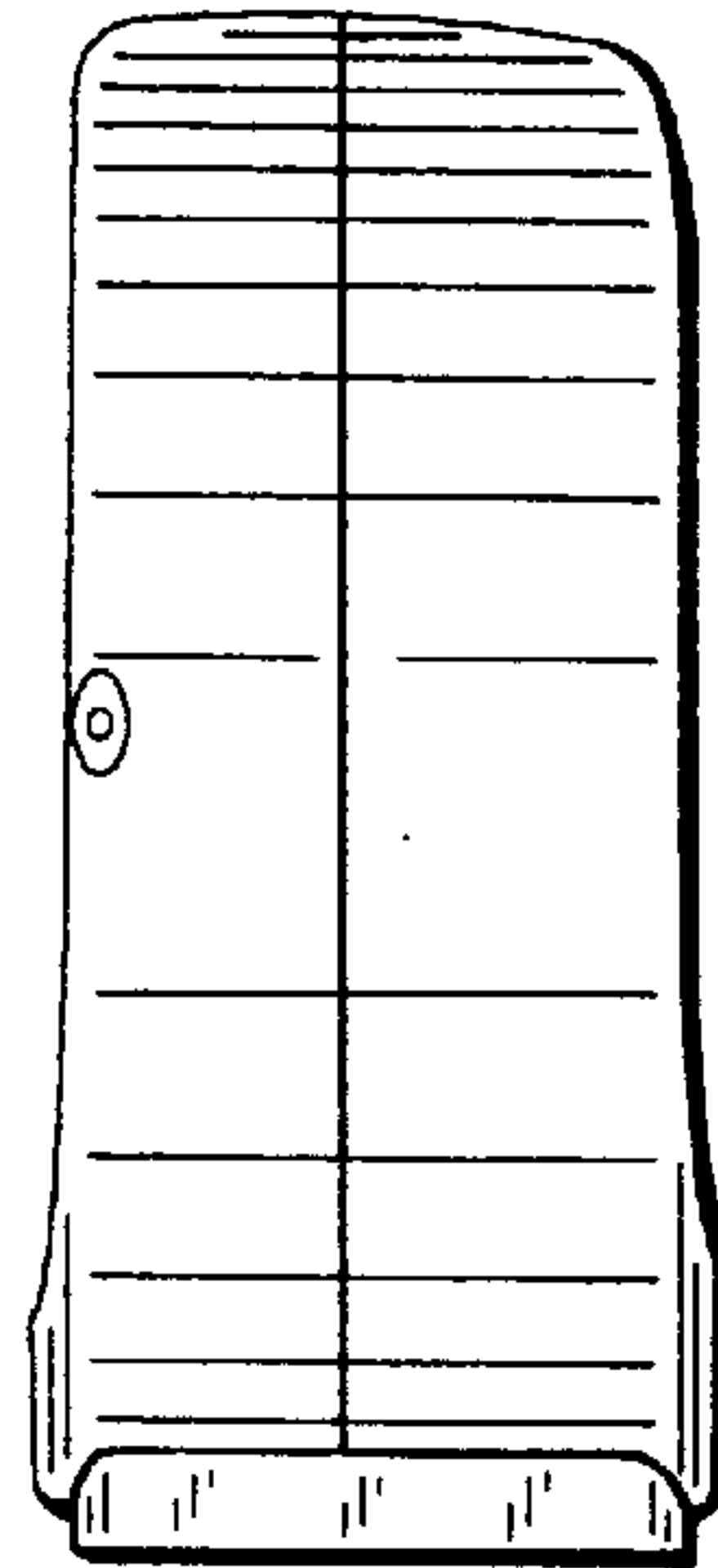


FIG. 4

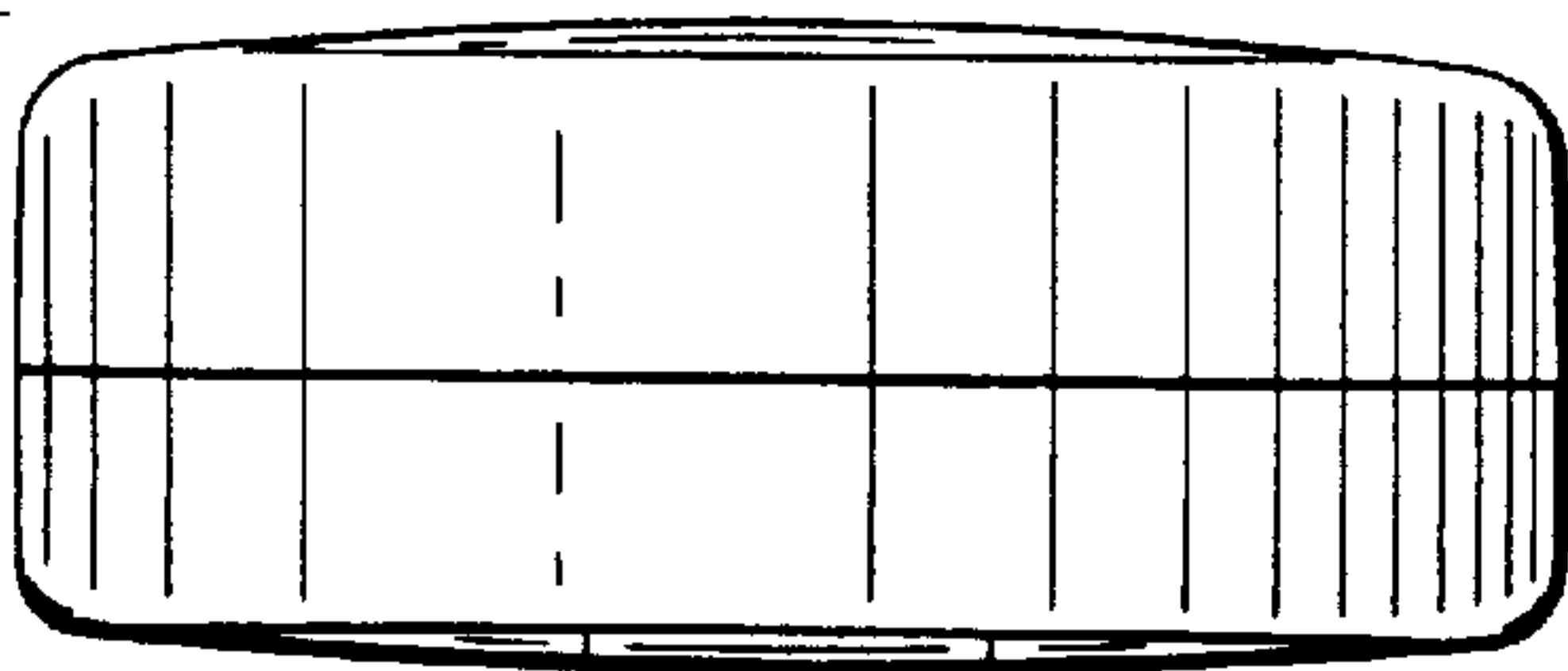


FIG. 5

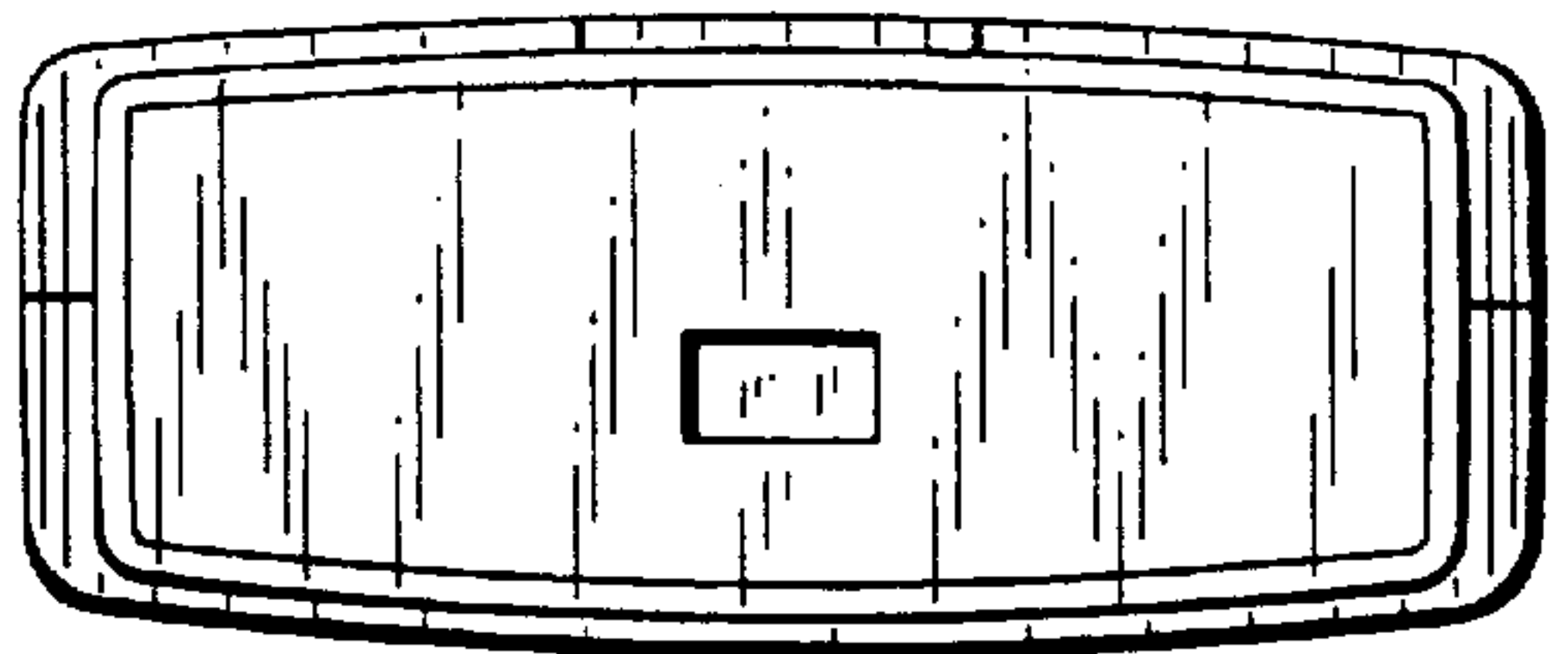


FIG. 6