



US00D399955S

United States Patent [19]

Koros et al.

[11] Patent Number: **Des. 399,955**

[45] Date of Patent: ****Oct. 20, 1998**

[54] **COMBINED SPINE/STERNUM RETRACTOR FRAME AND BLADES**

D. 380,548	7/1997	Koros et al.	D24/135
5,052,373	10/1991	Michelson	600/217
5,167,223	12/1992	Koros et al.	600/234 X
5,363,841	11/1994	Coker	D24/135 X

[76] Inventors: **Tibor B. Koros; Gabriel J. Koros,**
both of 610 Flinn Ave., Moorpark,
Calif. 93021

Primary Examiner—Pamela Burgess
Attorney, Agent, or Firm—David O'Reilly

[**] Term: **14 Years**

[57] **CLAIM**

[21] Appl. No.: **79,372**

The ornamental design for a combined spine/sternum retractor frame and blades, as shown and described.

[22] Filed: **Nov. 14, 1997**

DESCRIPTION

[51] **LOC (6) Cl.** **24-02**

[52] **U.S. Cl.** **D24/135**

[58] **Field of Search** D24/135, 133;
600/210, 211, 214-217, 231, 234; 128/20,
17, 19

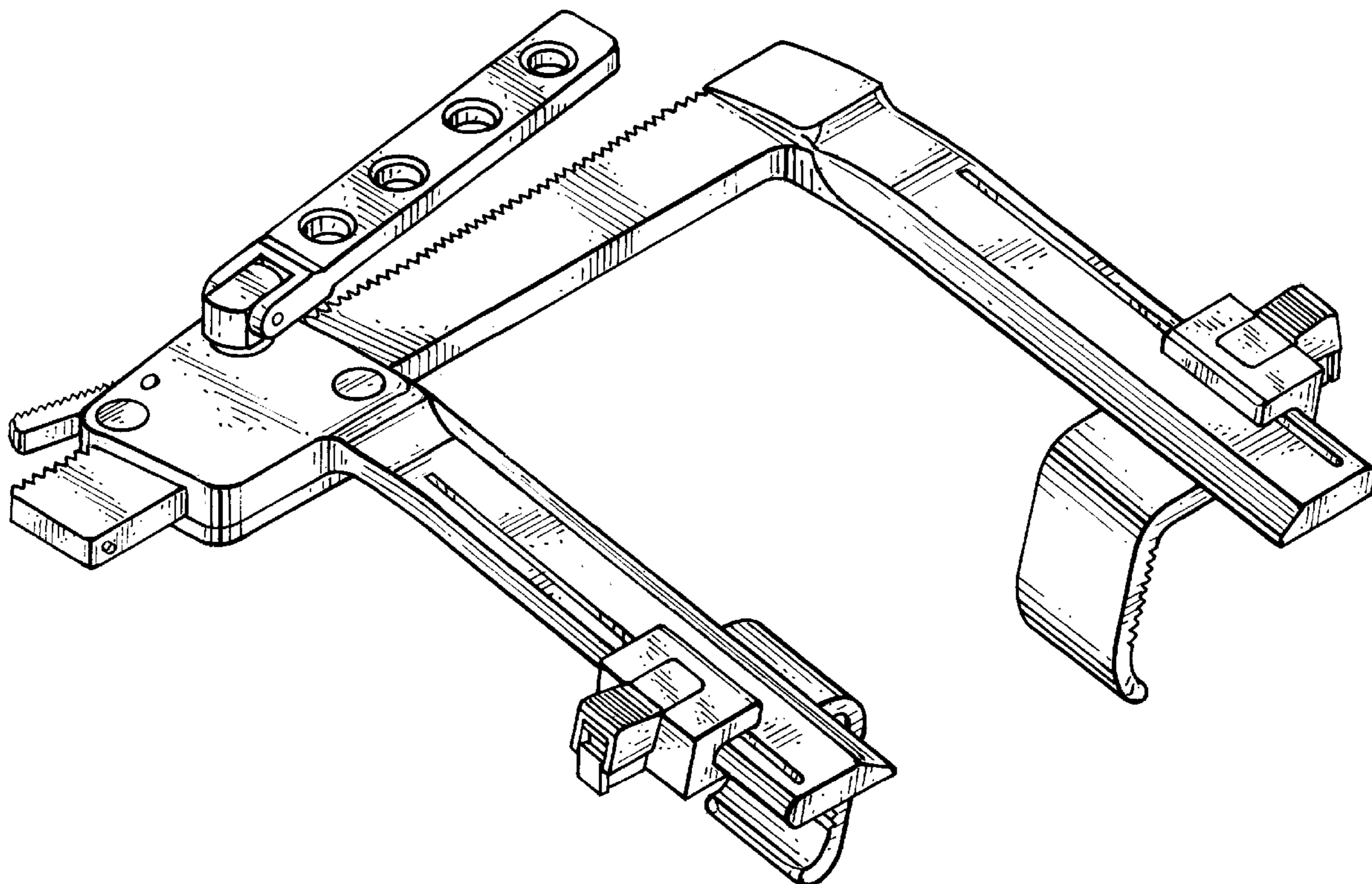
FIG. 1 is an isometric view of a combined spine/sternum retractor frame and blades showing our new design; FIG. 2 is a front view thereof; FIG. 3 is a left side elevational view thereof; FIG. 4 is a right side elevational view thereof; FIG. 5 is a rear view thereof; FIG. 6 is a top view thereof; and, FIG. 7 is a bottom view thereof.

[56] **References Cited**

U.S. PATENT DOCUMENTS

D. 319,502	8/1991	Michaelson	D24/135
D. 361,381	8/1995	Koros et al.	D24/135

1 Claim, 4 Drawing Sheets



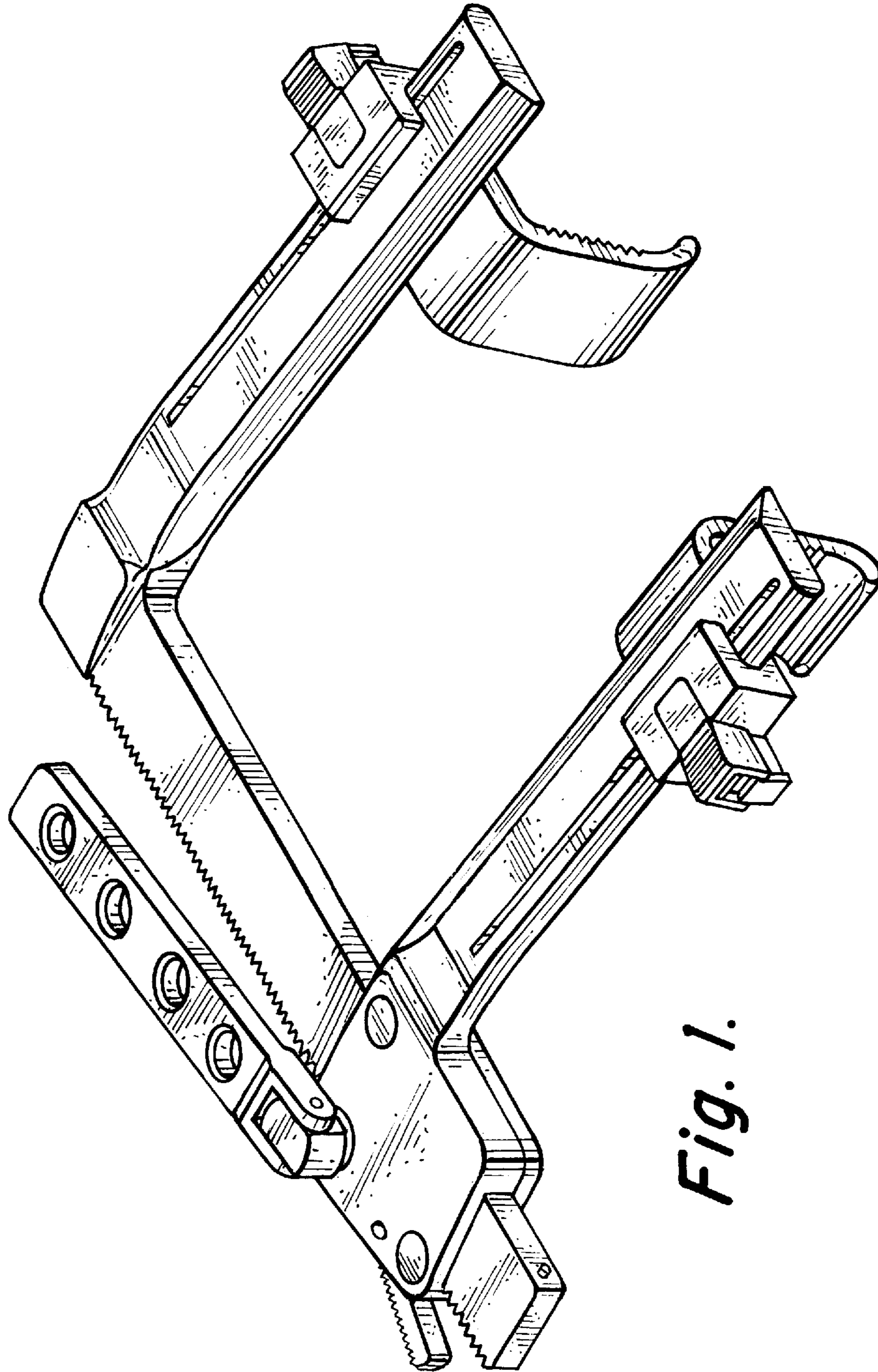


Fig. 1.

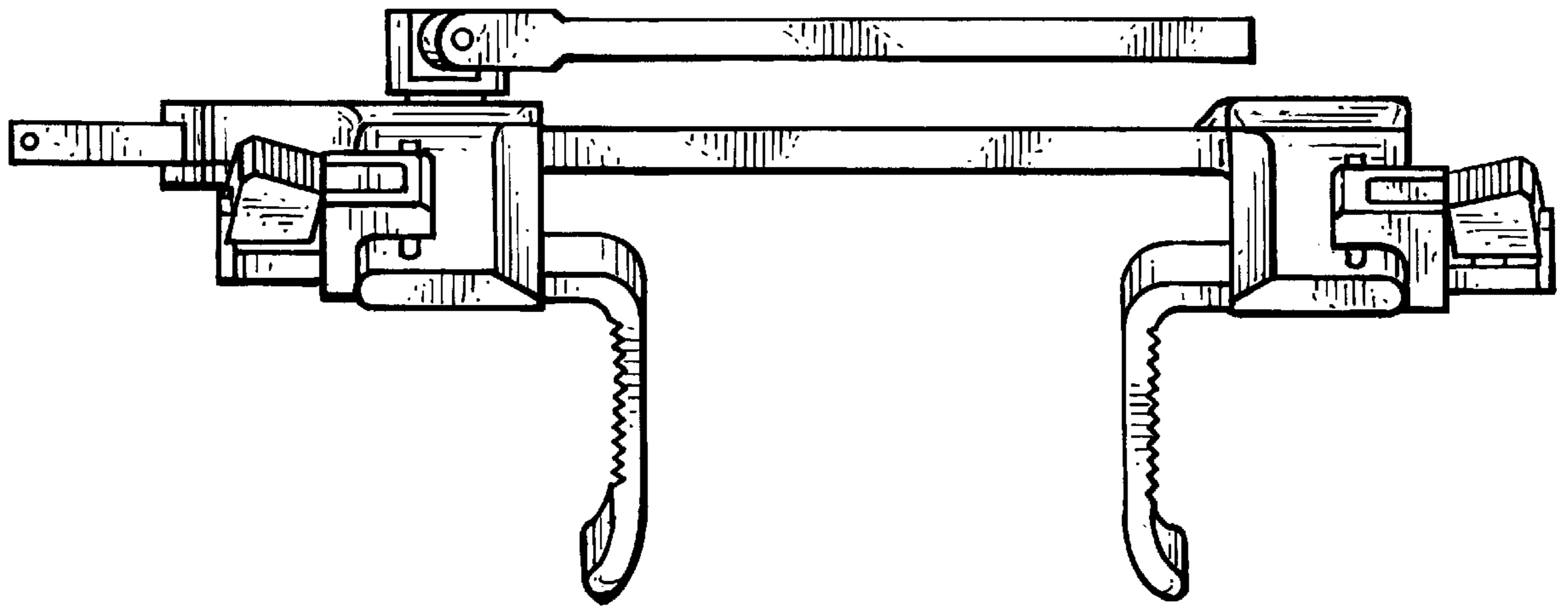


Fig. 2.

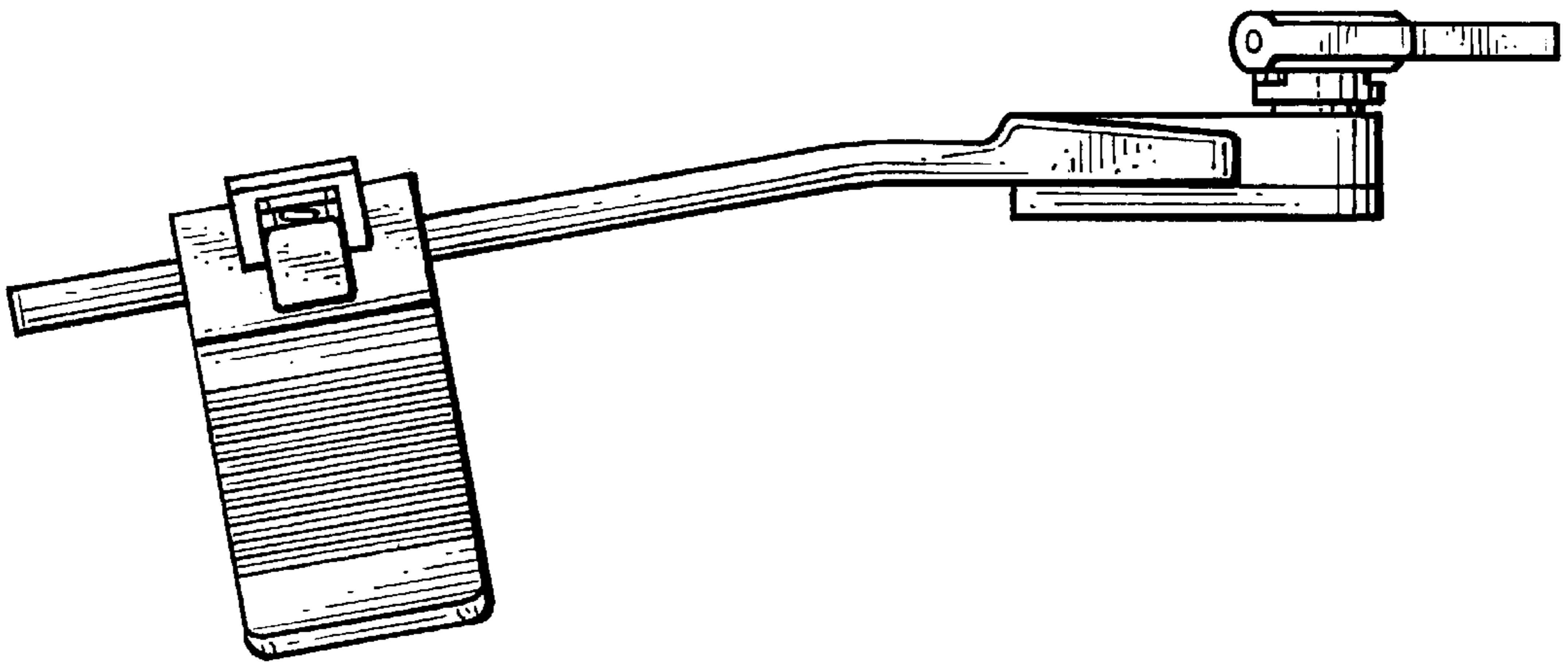


Fig. 4.

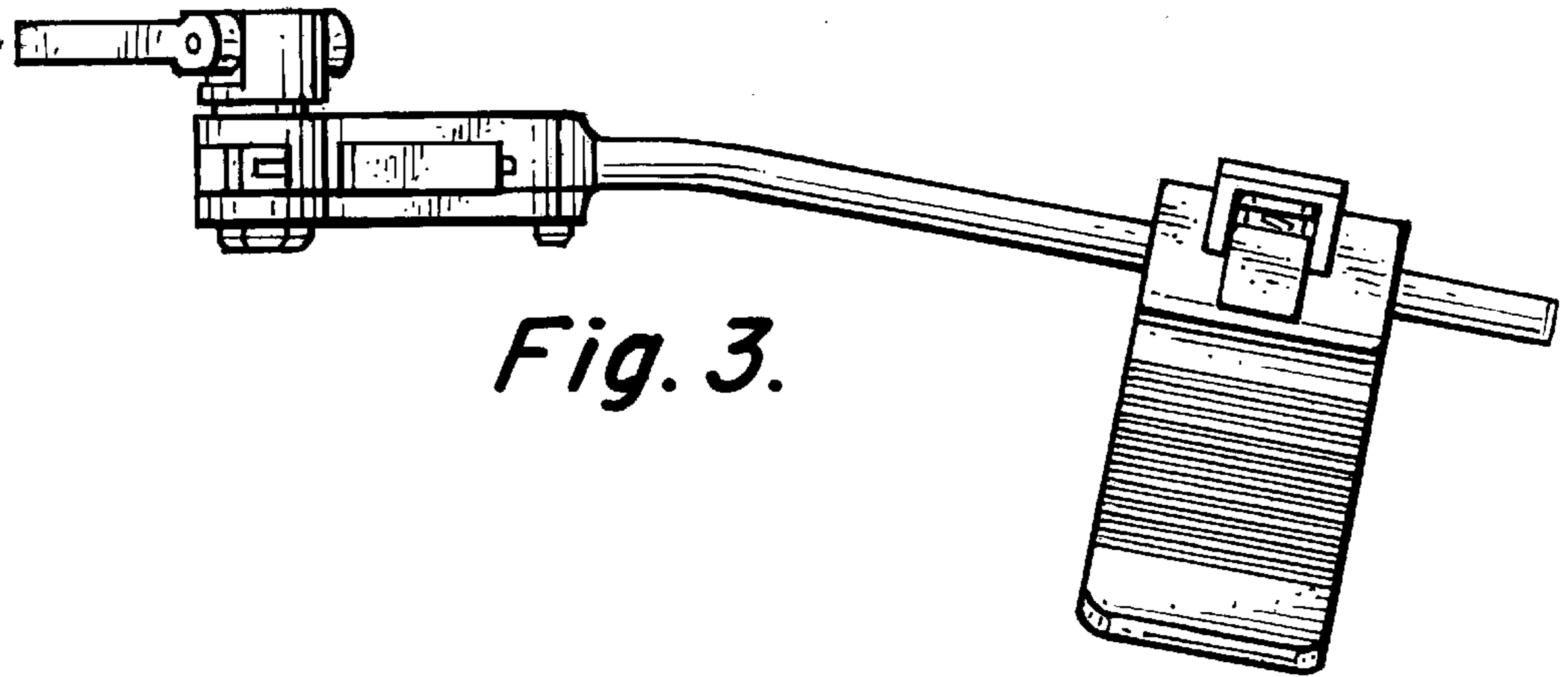


Fig. 3.

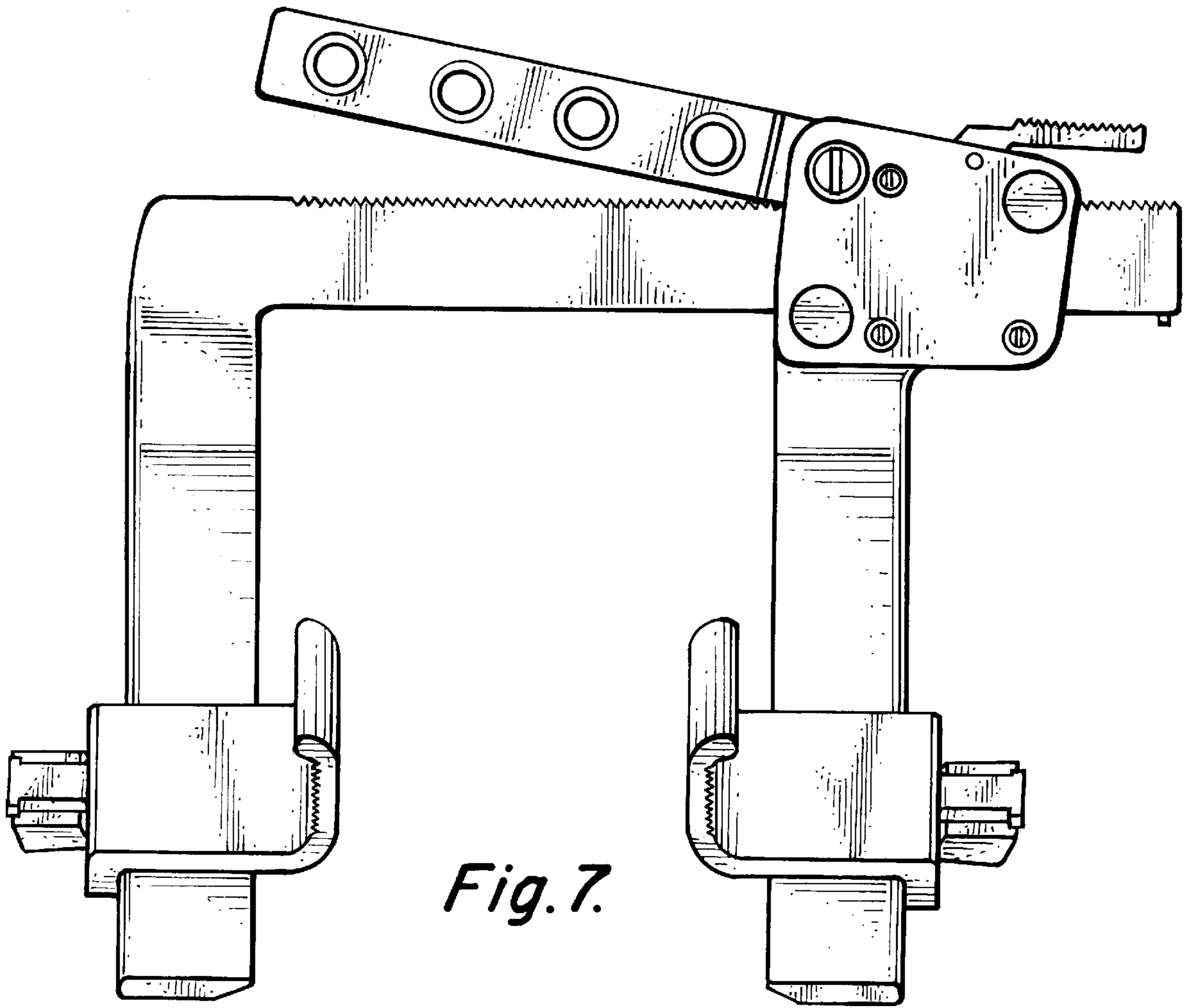


Fig. 7.

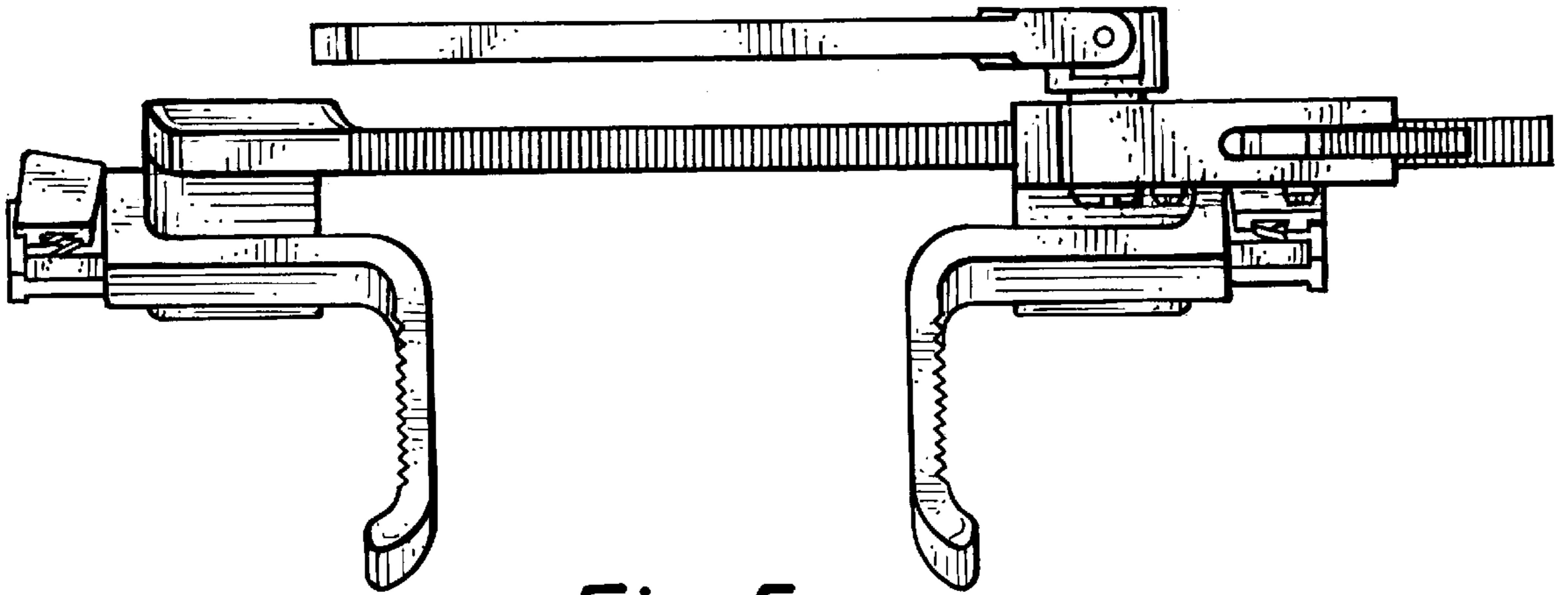


Fig. 5.

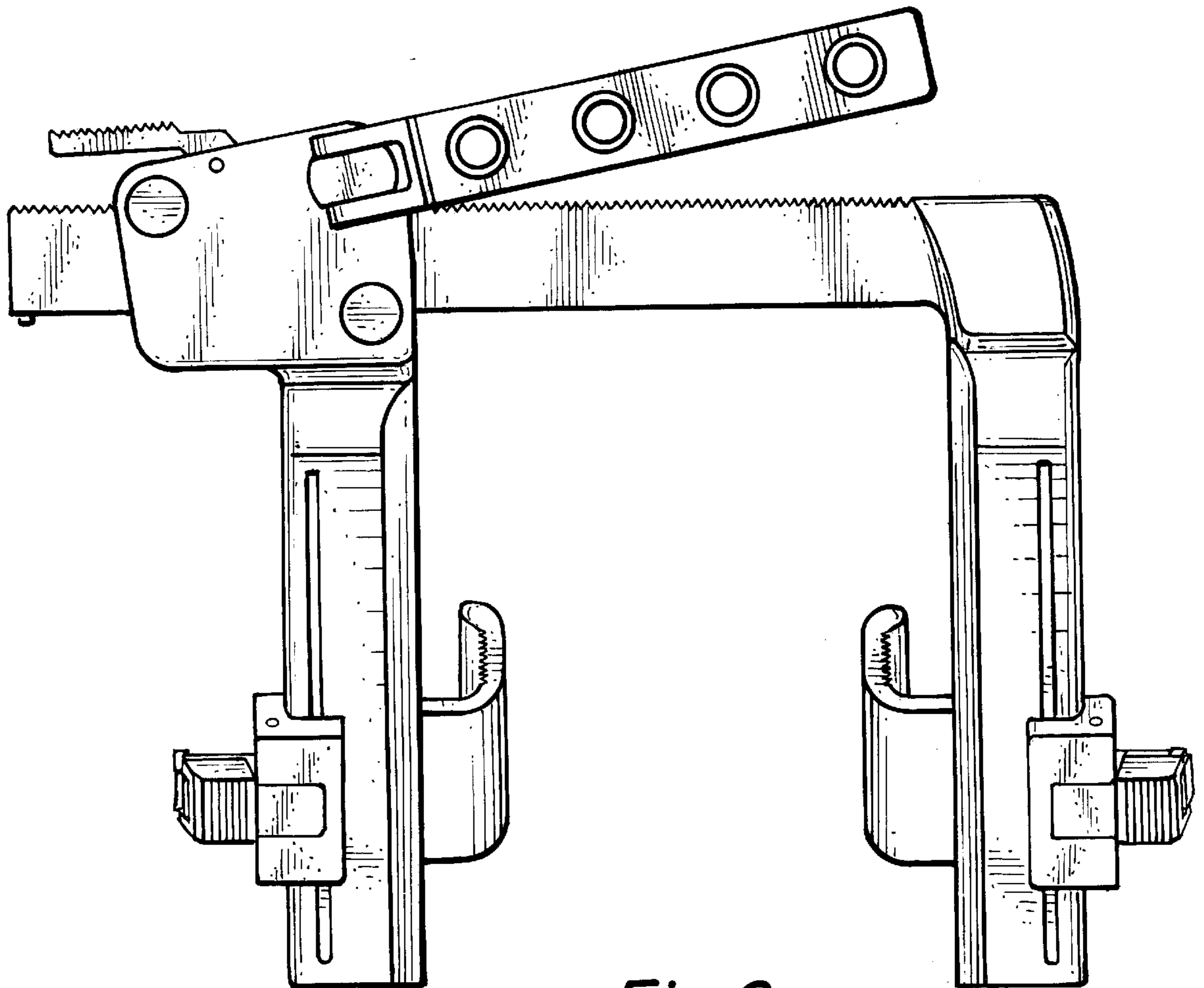


Fig. 6.