



US00D399951S

# United States Patent [19] Drach

[11] **Patent Number: Des. 399,951**

[45] **Date of Patent: \*\*Oct. 20, 1998**

[54] **INJECTION APPARATUS**

[75] Inventor: **Thomas J. Drach**, Hood River, Oreg.

[73] Assignee: **Bioject, Inc.**, Portland, Oreg.

[\*\*] Term: **14 Years**

[21] Appl. No.: **73,094**

[22] Filed: **Jun. 30, 1997**

[51] **LOC (6) Cl. .... 24-02**

[52] **U.S. Cl. .... D24/112**

[58] **Field of Search .... D24/114, 112,  
D24/146, 117, 113; 604/68, 70, 71, 72,  
69, 191, 411**

[56] **References Cited**

**U.S. PATENT DOCUMENTS**

|            |         |                      |         |
|------------|---------|----------------------|---------|
| D. 336,514 | 6/1993  | Valerio et al. ....  | D24/111 |
| D. 349,958 | 8/1994  | Hollis et al. ....   | D24/112 |
| D. 351,465 | 10/1994 | Stringer et al. .... | D24/113 |
| D. 370,974 | 6/1996  | Barresi et al. ....  | D24/111 |

|            |        |                           |         |
|------------|--------|---------------------------|---------|
| D. 380,827 | 7/1997 | Stringer et al. ....      | D24/112 |
| 5,505,697  | 4/1996 | McKinnon, Jr. et al. .... | 604/71  |
| 5,520,639  | 5/1996 | Peterson et al. ....      | 604/68  |

*Primary Examiner*—Susan J. Lucas  
*Assistant Examiner*—Cynthia E. Ramirez  
*Attorney, Agent, or Firm*—Kolisch Hartwell Dickinson  
McCormack & Heuser

[57] **CLAIM**

The ornamental design for an injection apparatus, as shown and described.

**DESCRIPTION**

FIG. 1 is a perspective view of the present invention;  
FIG. 2 is one side elevational view thereof;  
FIG. 3 is the other side elevational view thereof;  
FIG. 4 is a top plan view thereof;  
FIG. 5 is a bottom plan view thereof;  
FIG. 6 is a rear elevational view thereof; and,  
FIG. 7 is a front elevational view thereof.

**1 Claim, 2 Drawing Sheets**

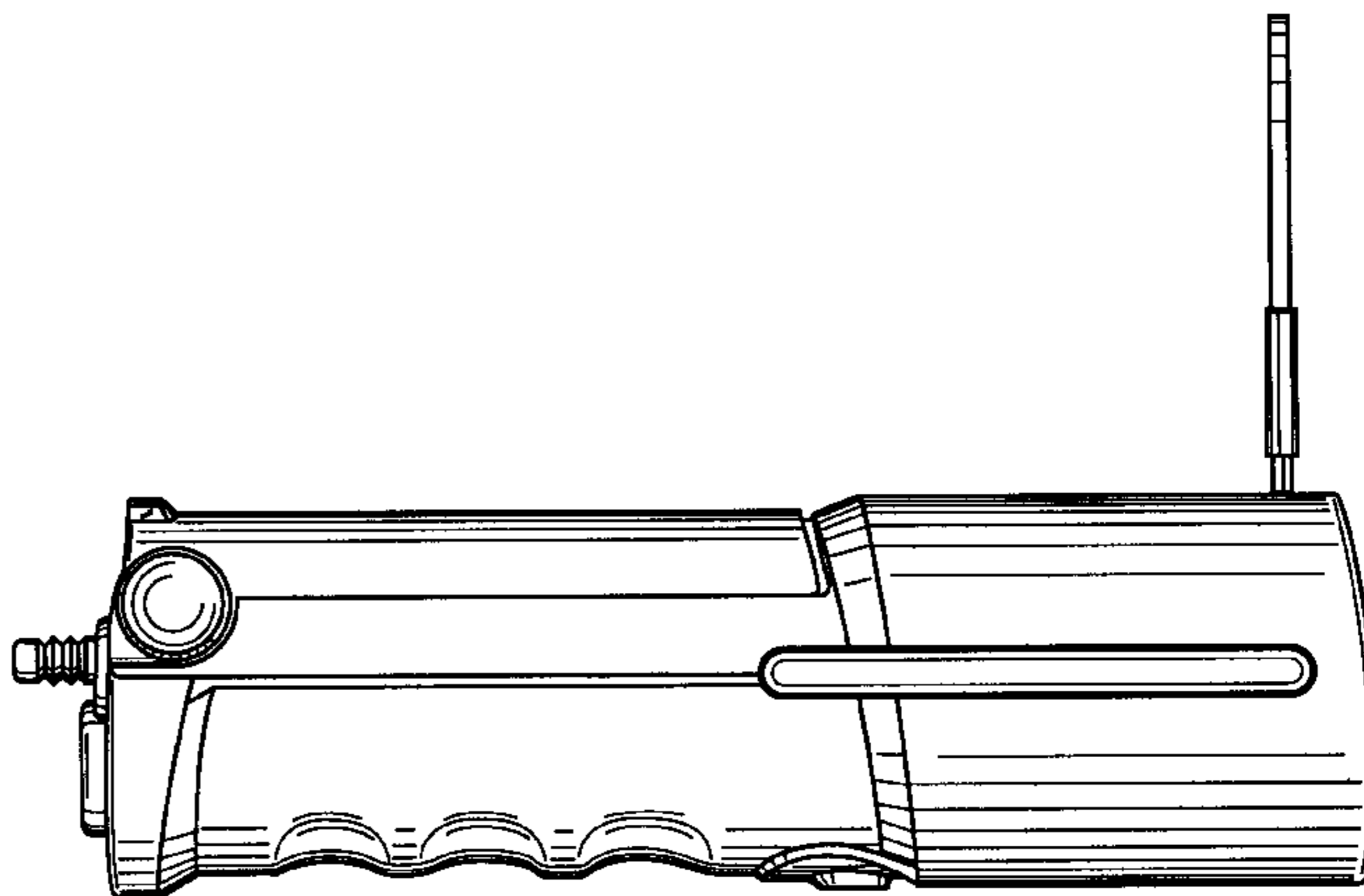
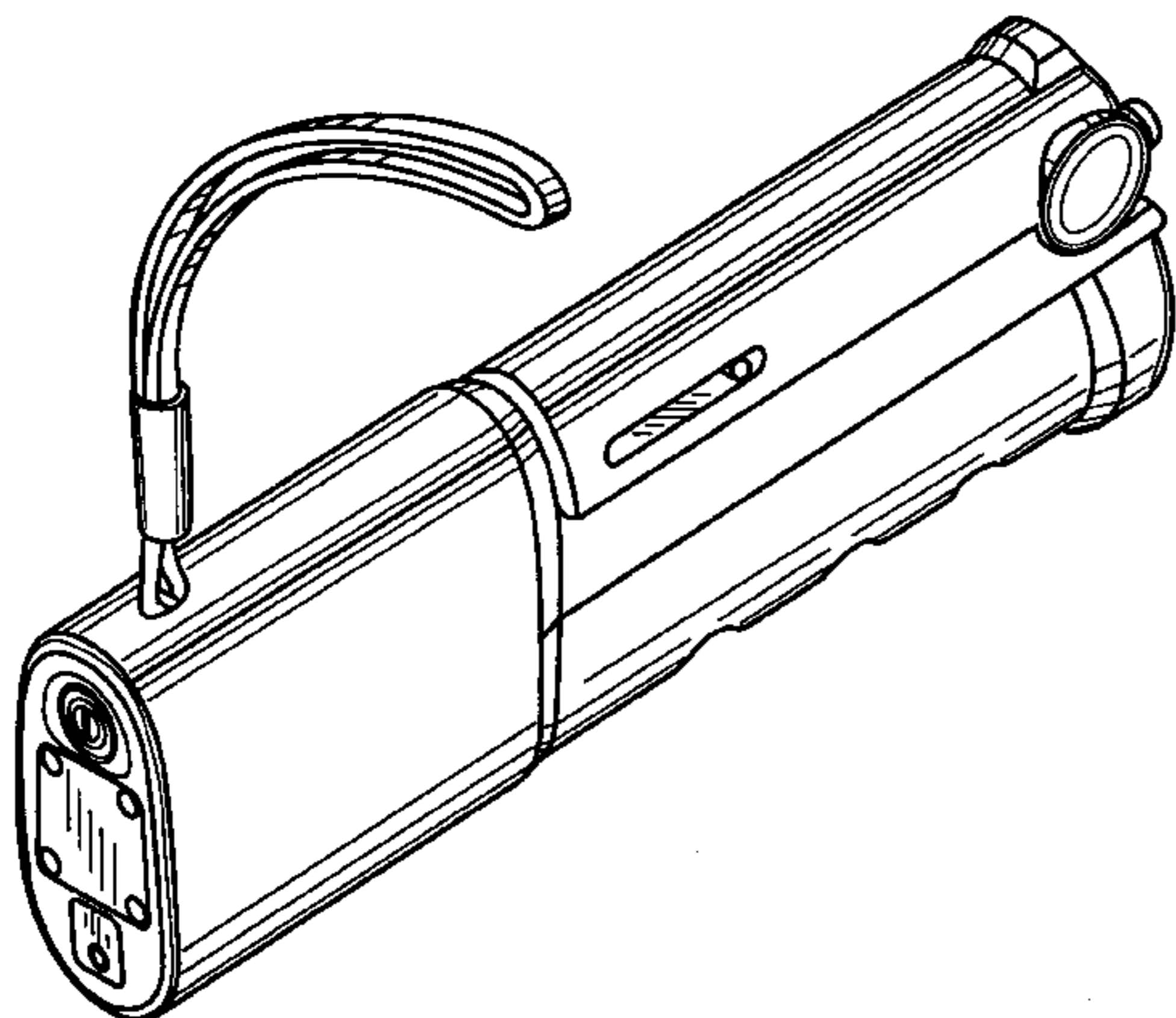


FIG. 1

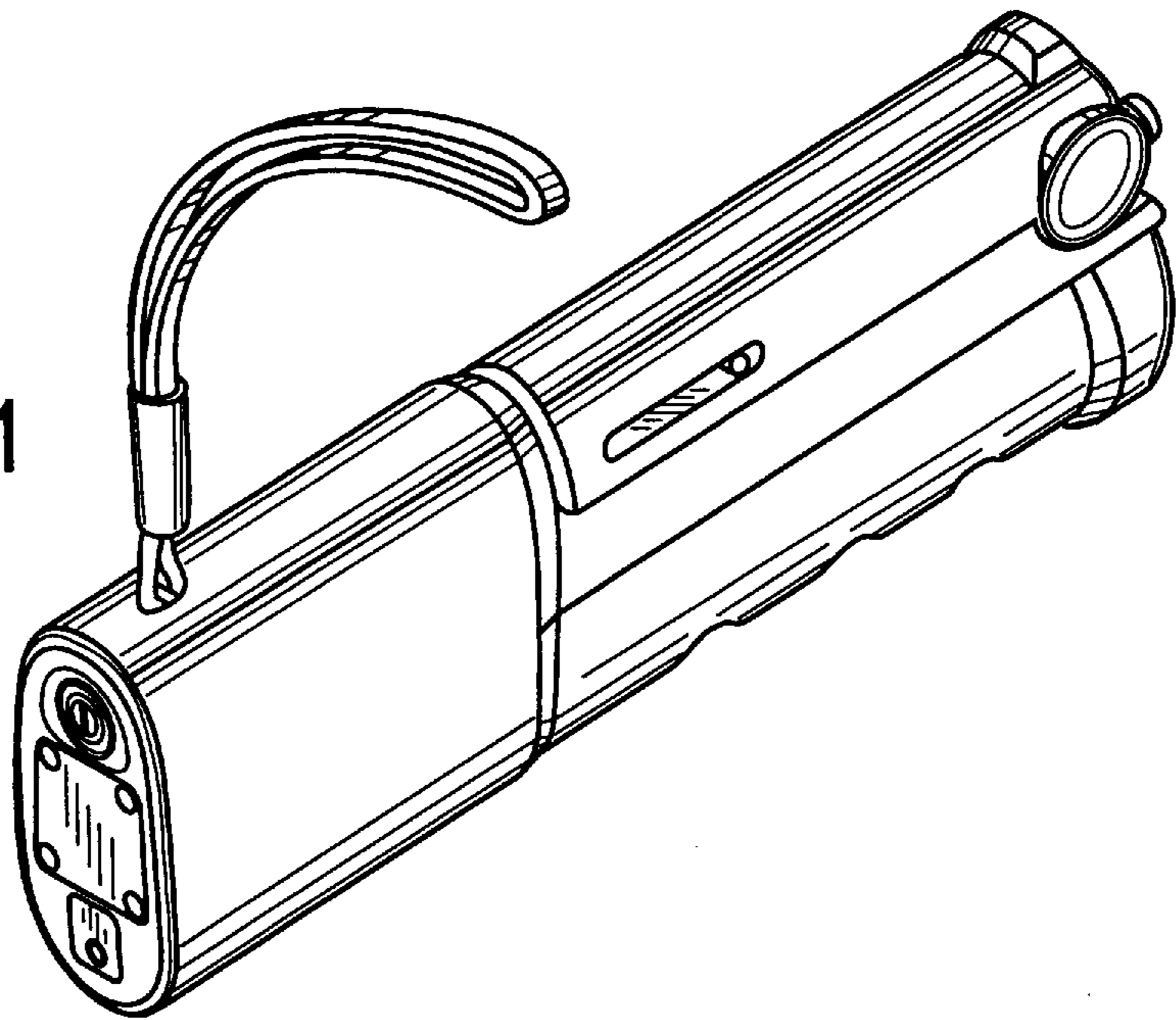


FIG. 2

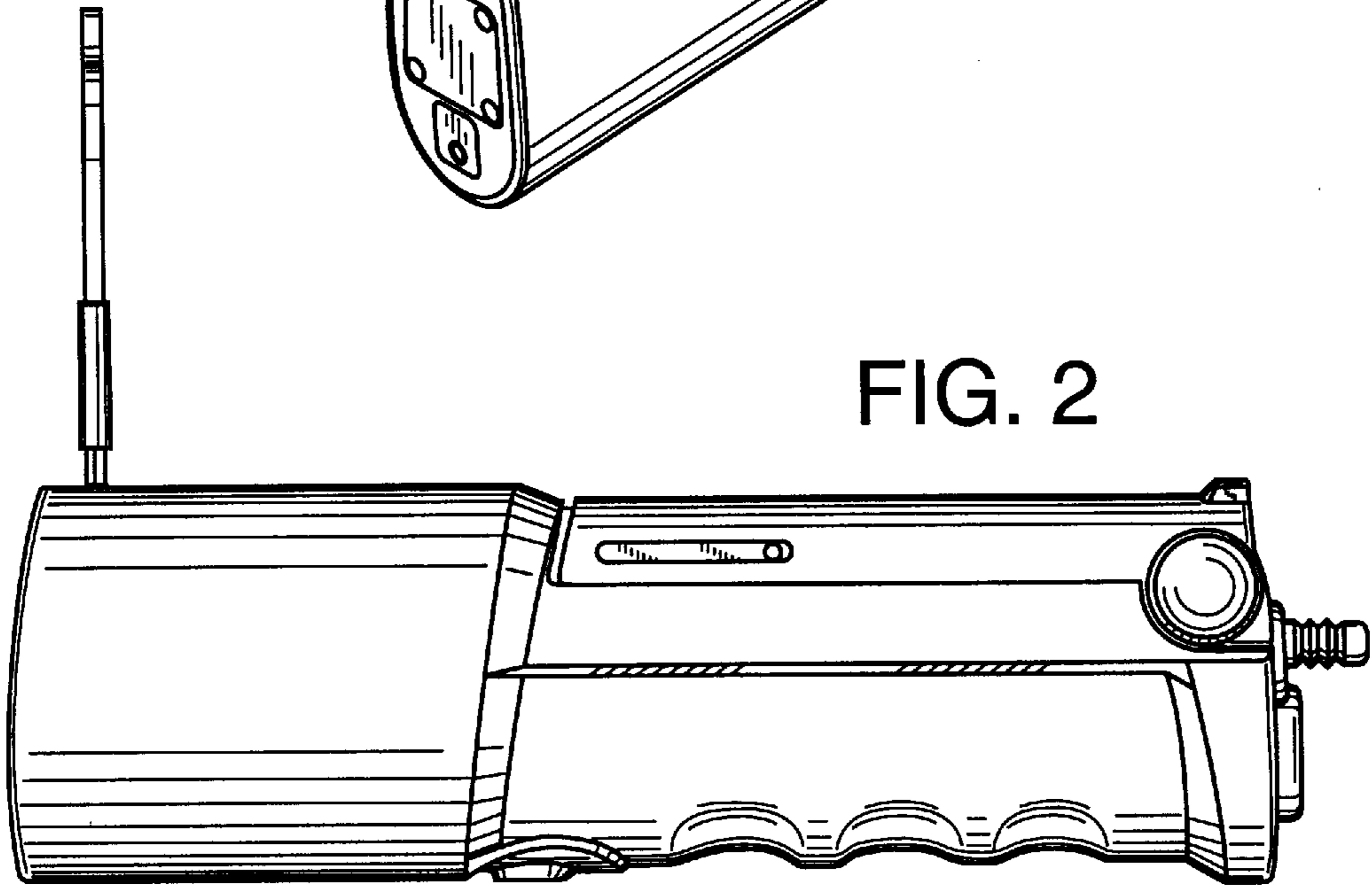


FIG. 3

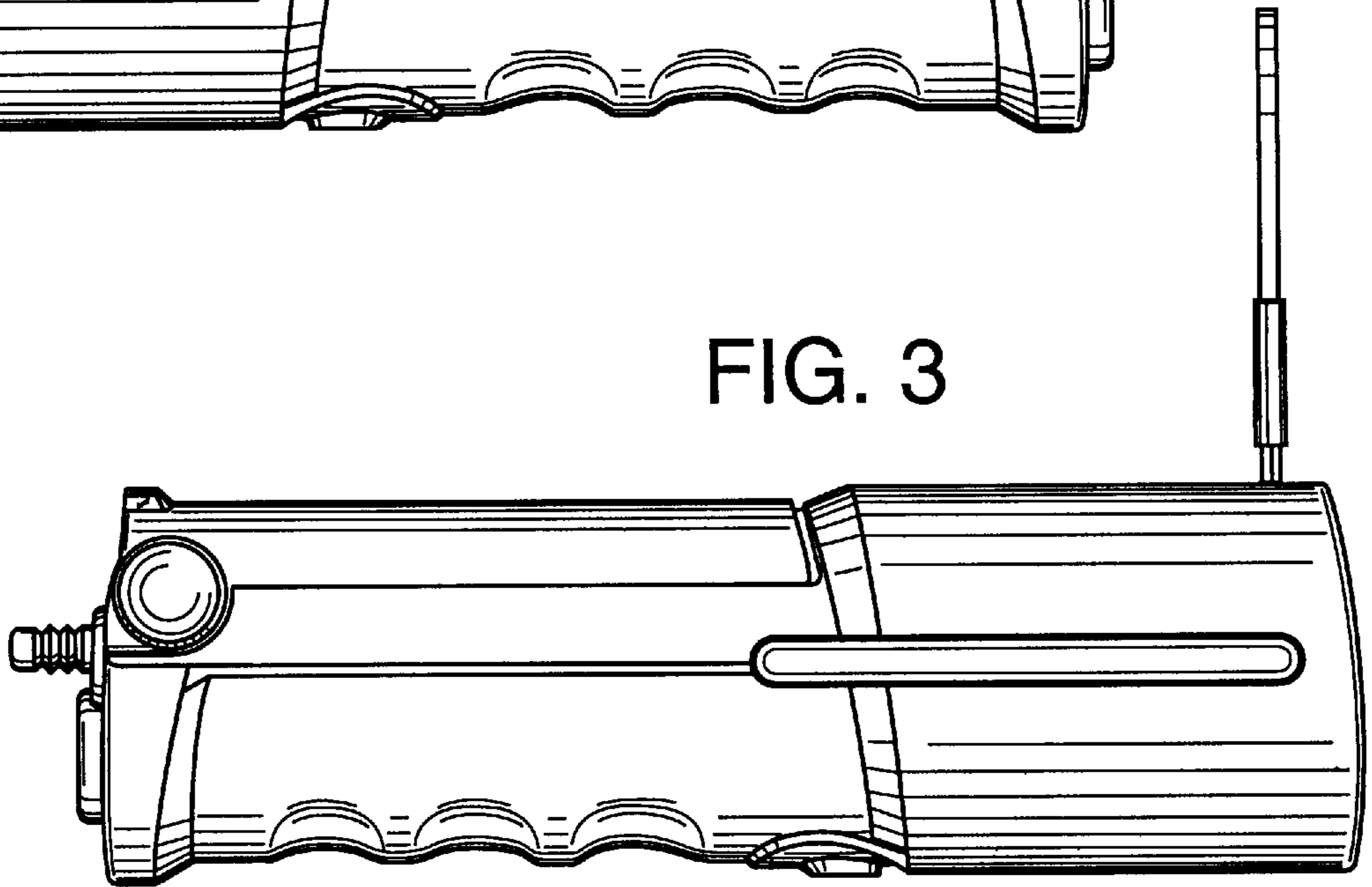


FIG. 4

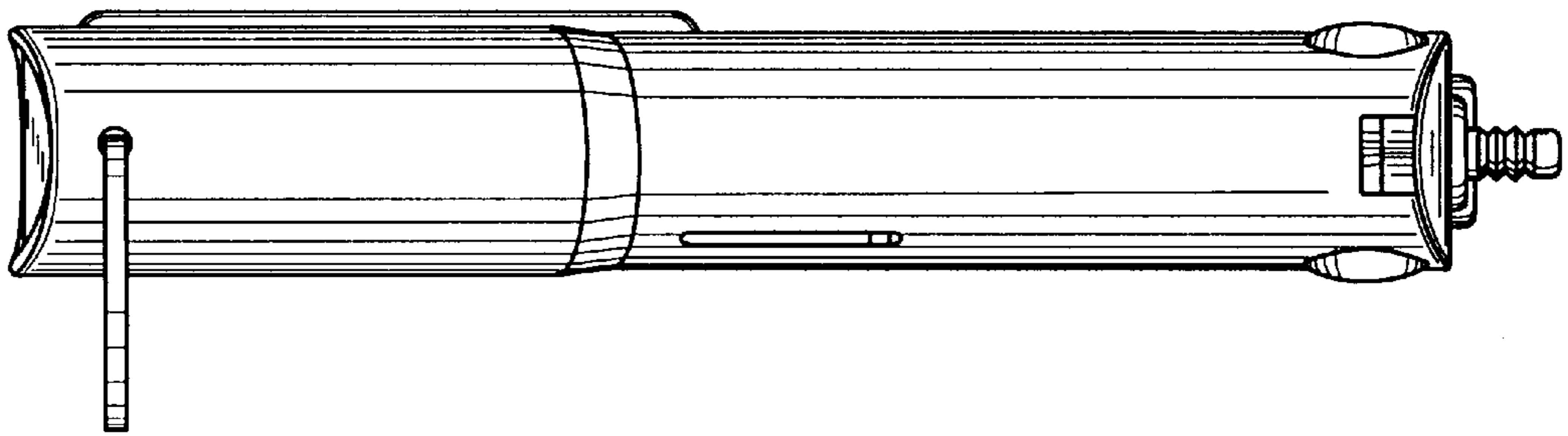


FIG. 5

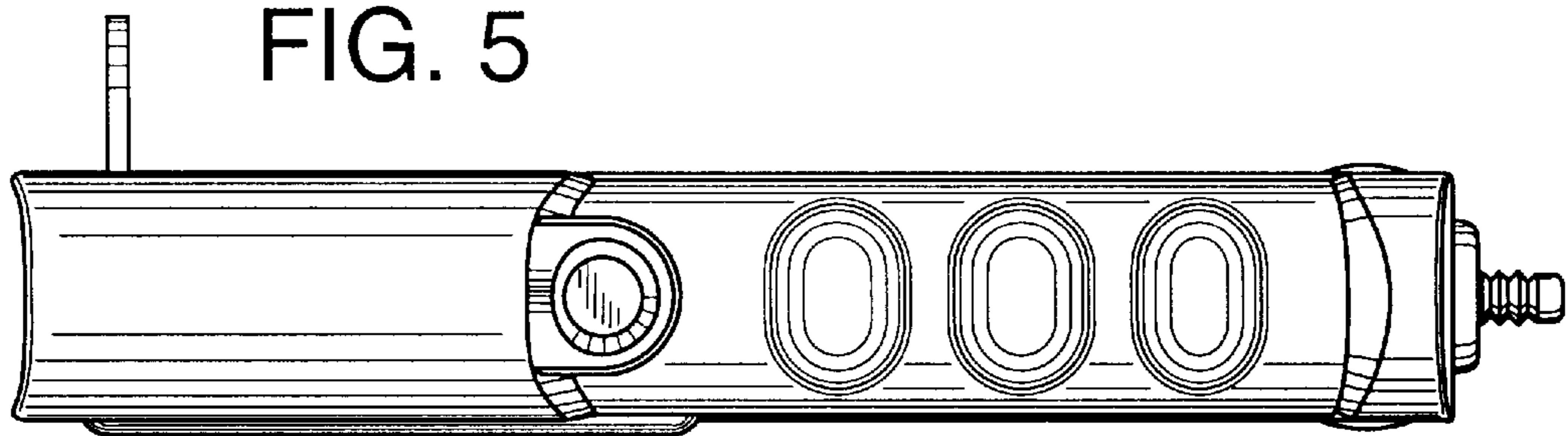


FIG. 6

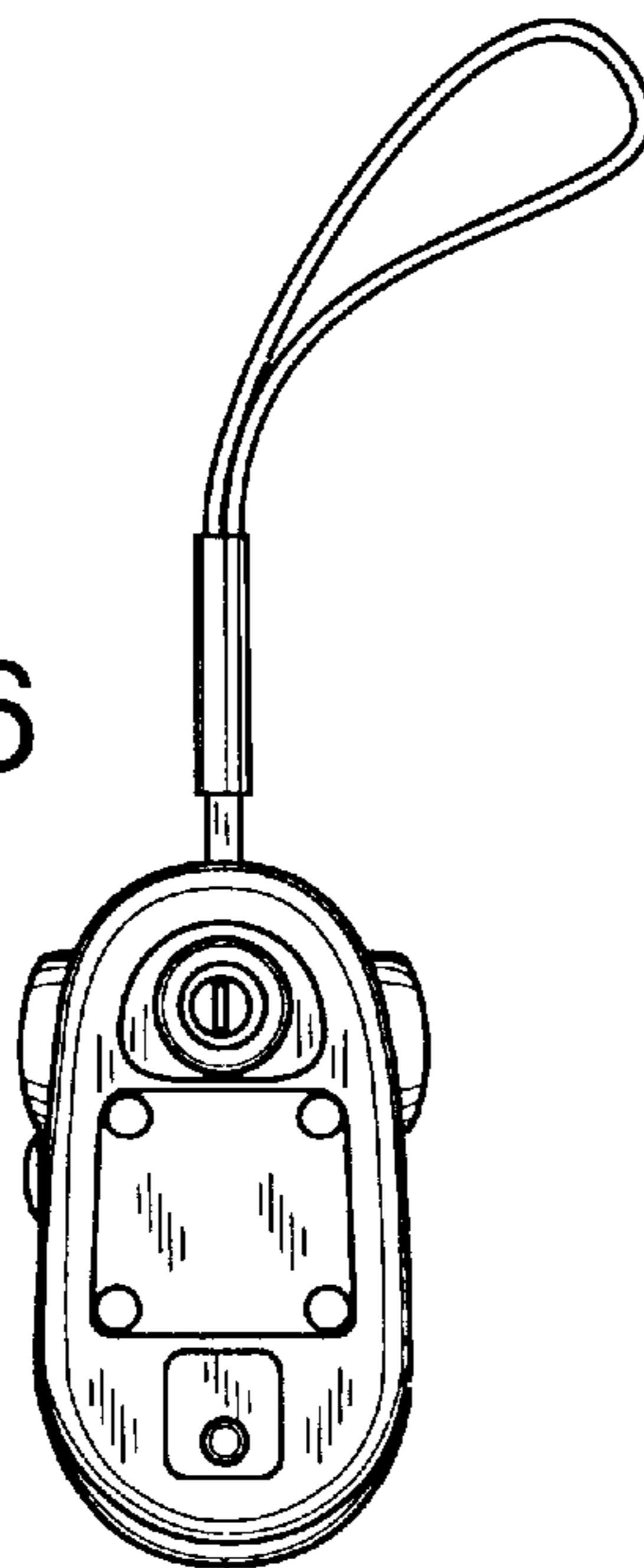


FIG. 7

