



US00D399947S

United States Patent [19]

Kennedy

[11] Patent Number: Des. 399,947

[45] Date of Patent: **Oct. 20, 1998

[54] **COMBINED CEILING FAN MOTOR HOUSING SWITCH HOUSING AND LIGHT FITTER UNIT**

[75] Inventor: **Robert M. Kennedy**, Tampa, Fla.

[73] Assignee: **Litex Industries, Inc.**, Grand Prairie, Tex.

[**] Term: **14 Years**

[21] Appl. No.: **66,494**

[22] Filed: **Feb. 14, 1997**

[51] **LOC (6) Cl.** **23-04**

[52] **U.S. Cl.** **D23/411; D23/377; D23/379; D26/80**

[58] **Field of Search** **D23/377, 379, D23/385, 411; 416/5; 392/364; 362/96; D26/80, 81-86, 51, 59, 72, 143**

[56] References Cited

U.S. PATENT DOCUMENTS

D. 183,796	10/1958	Inoue	D7/582
D. 378,779	4/1997	Tsuji	D23/377
5,568,969	10/1996	Yu	416/5

OTHER PUBLICATIONS

Southern King Adv. Brochure, p. 20, Fitter \hat{A} , upper middle side of page.

Great 2000 Enterprise, Inc., Adv. Flyer, front of page, Ceiling Fan B.

Primary Examiner—Lisa Lichtenstein
Attorney, Agent, or Firm—W. Thomas Timmons; H. Dennis Kelly; Timmons & Kelly

[57] CLAIM

The ornamental design for a combined ceiling fan motor housing switch housing and light fitter unit, as shown.

DESCRIPTION

FIG. 1 is a front elevation of a combined ceiling fan motor housing switch housing and light fitter unit showing my new design;

FIG. 2 is a left side elevation thereof;

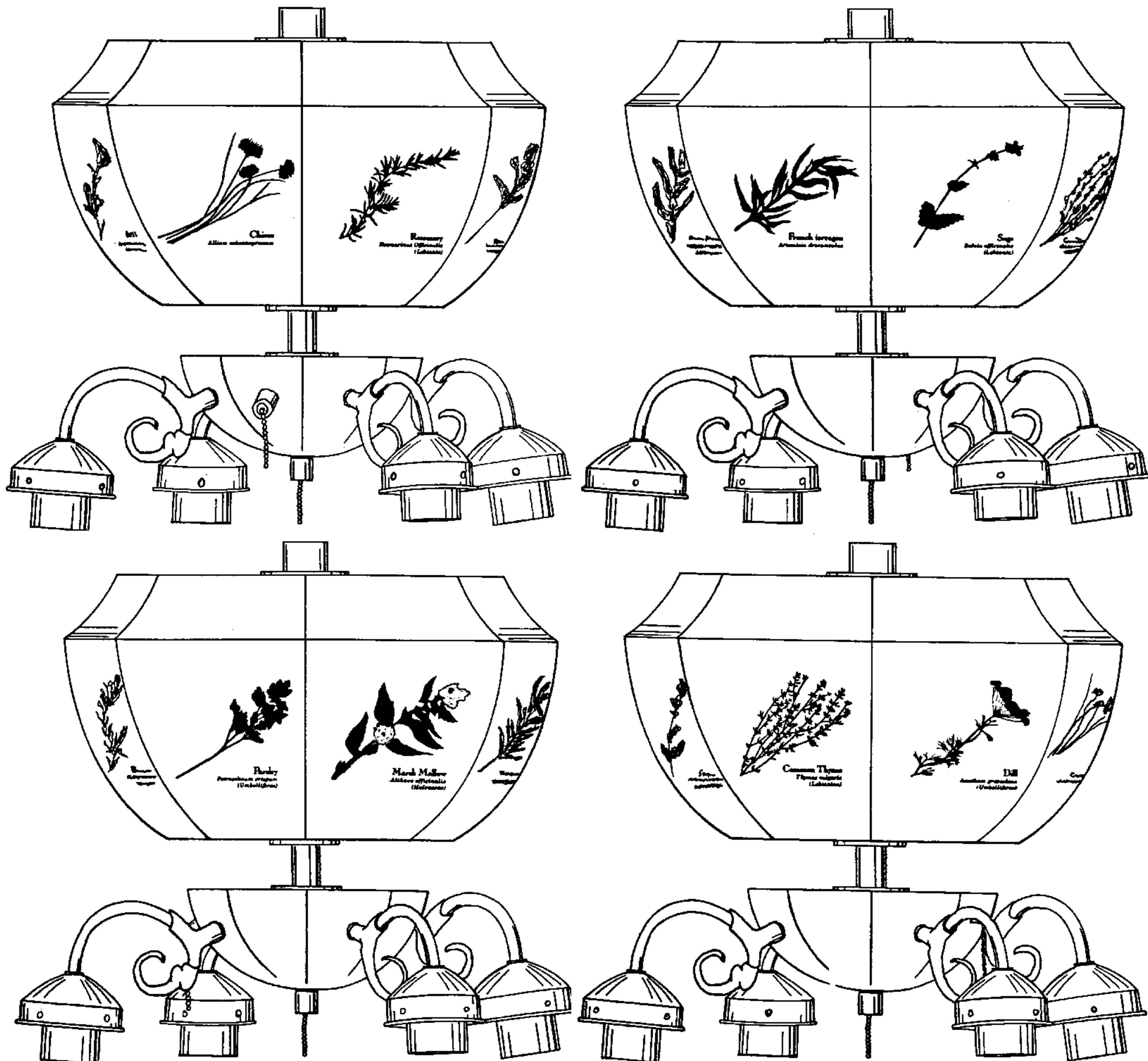
FIG. 3 is a rear elevation thereof;

FIG. 4 is a right side elevation thereof;

FIG. 5 is a bottom plan view thereof; and,

FIG. 6 is a top plan view thereof.

1 Claim, 6 Drawing Sheets



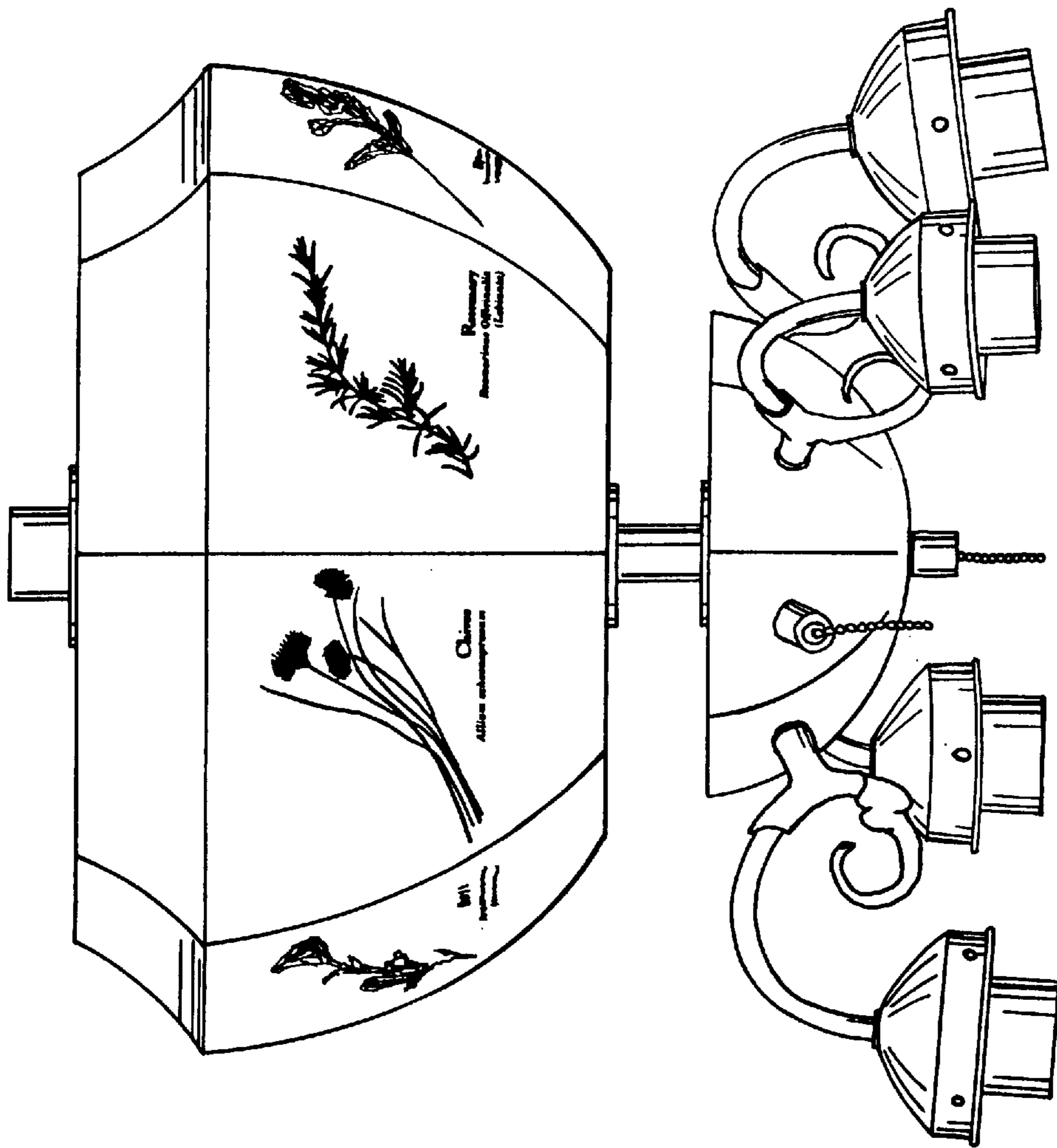


Fig. 1

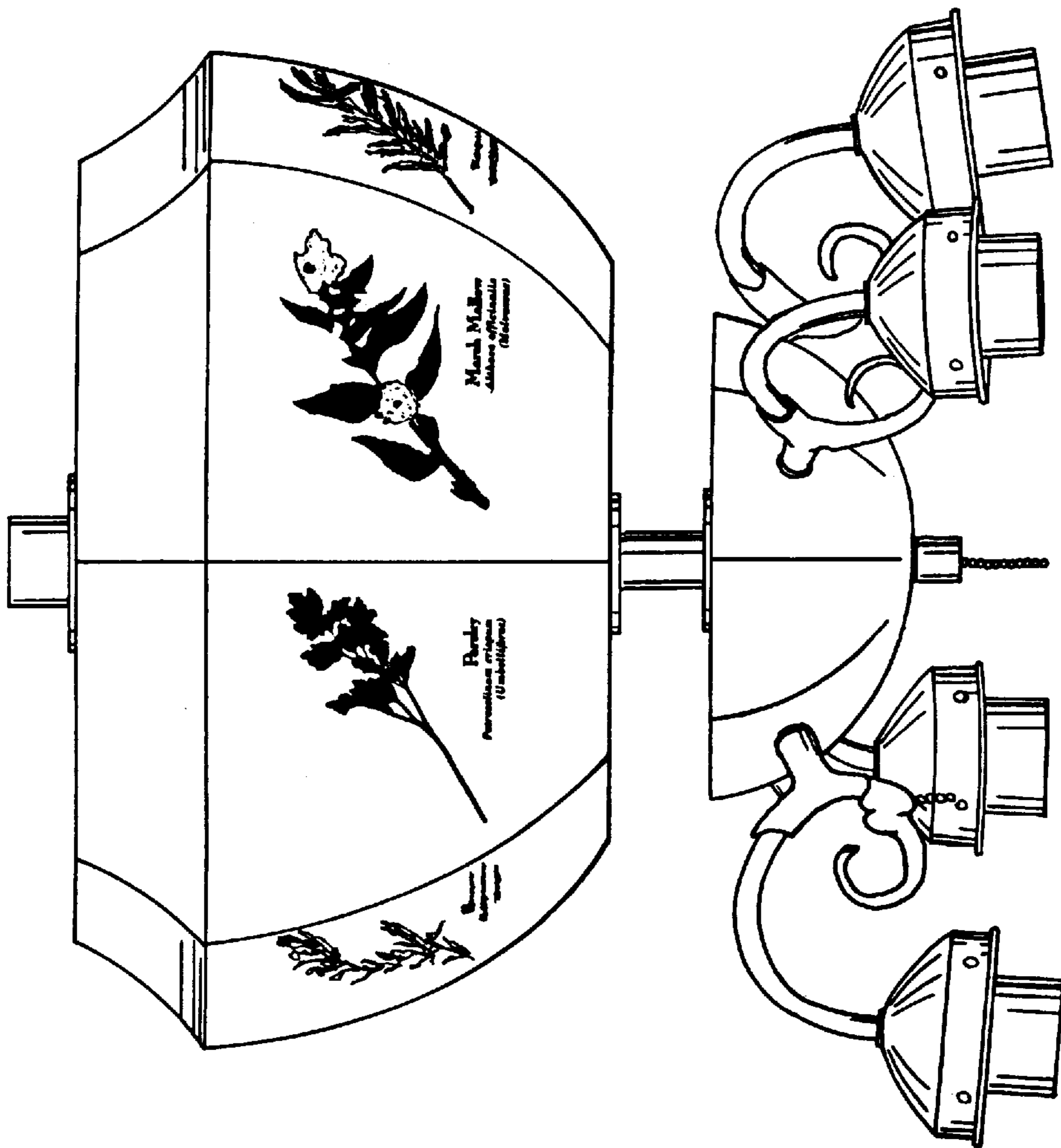


Fig. 2

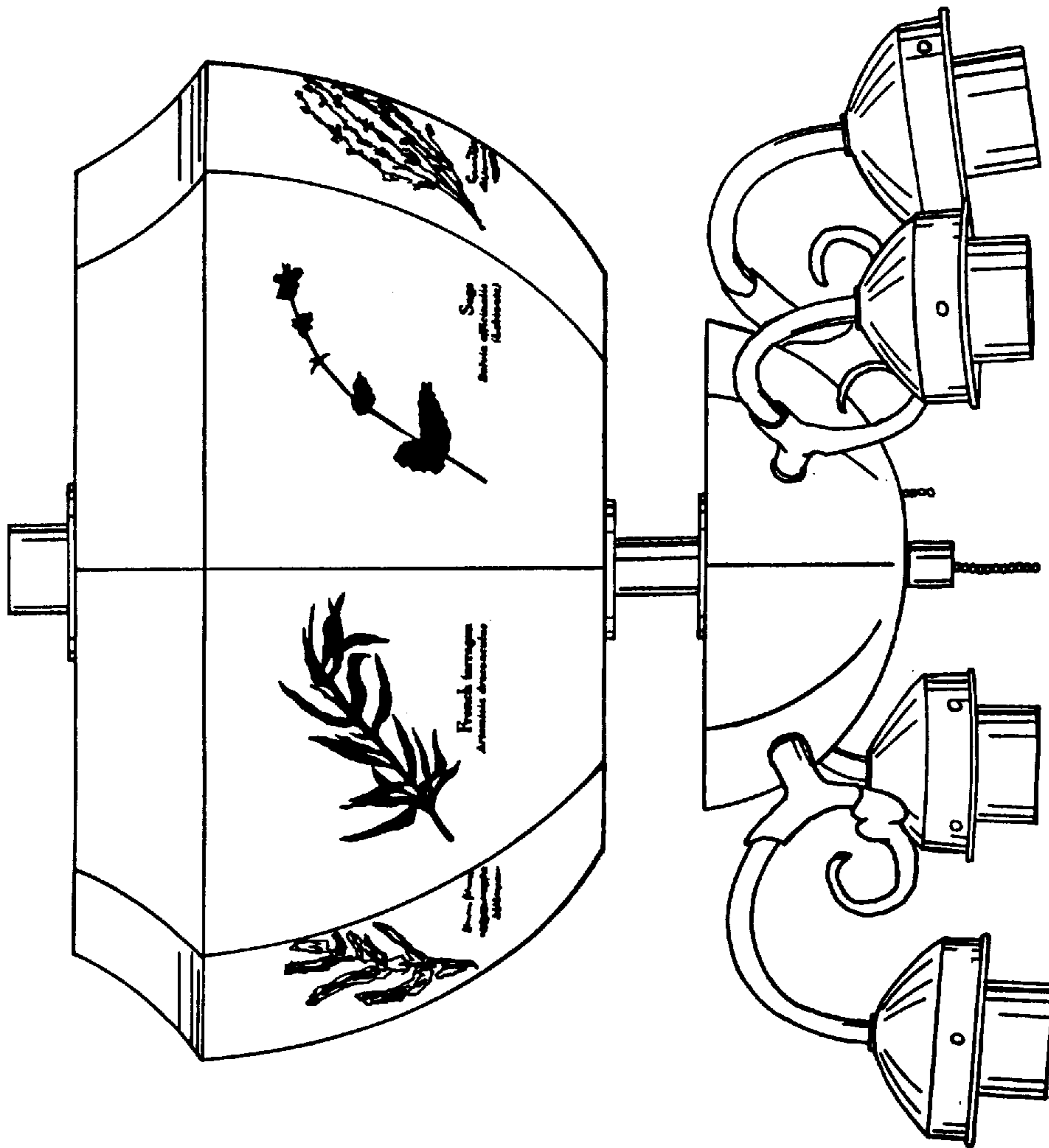


Fig. 3

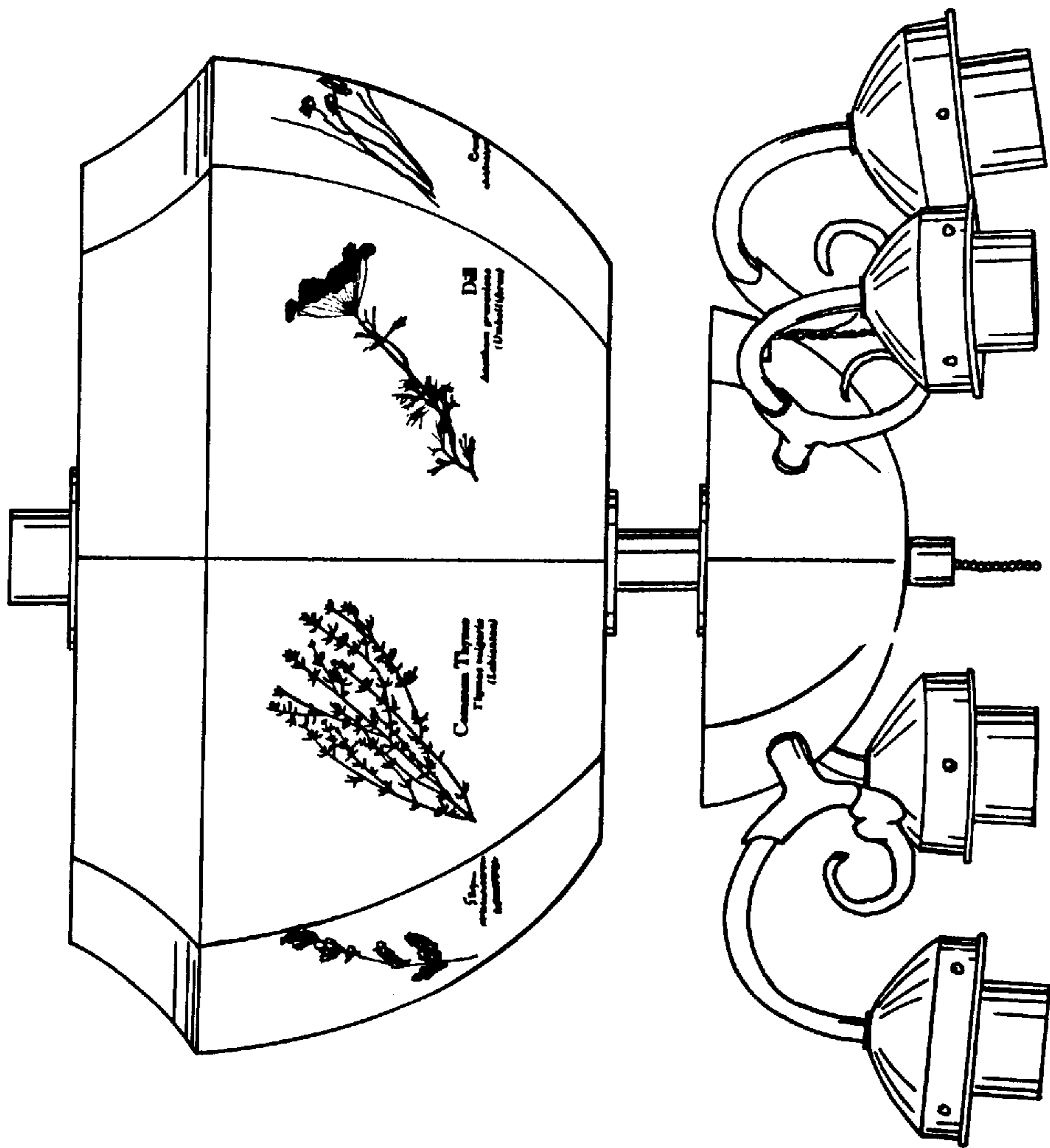


Fig. 4

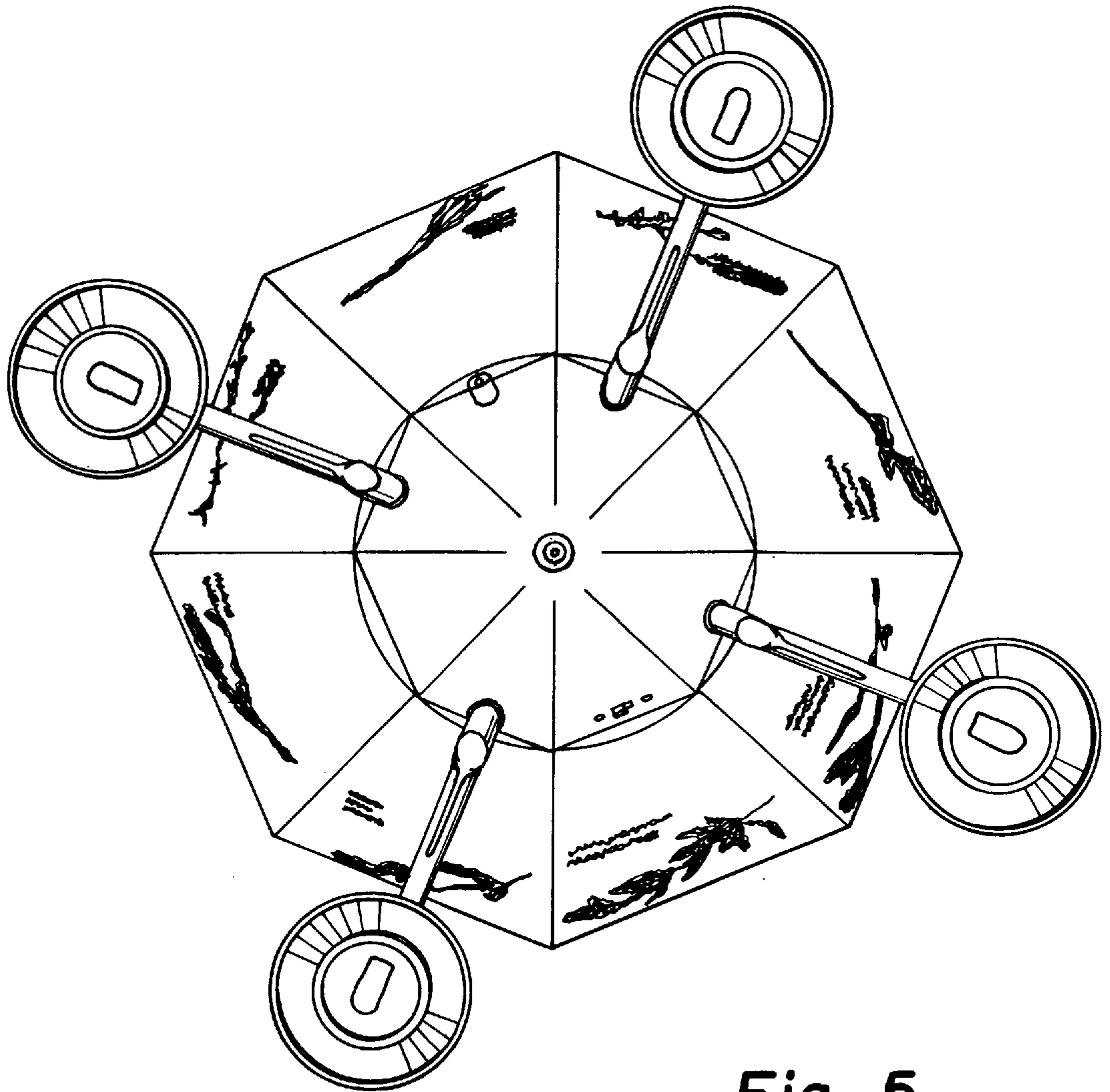


Fig. 5

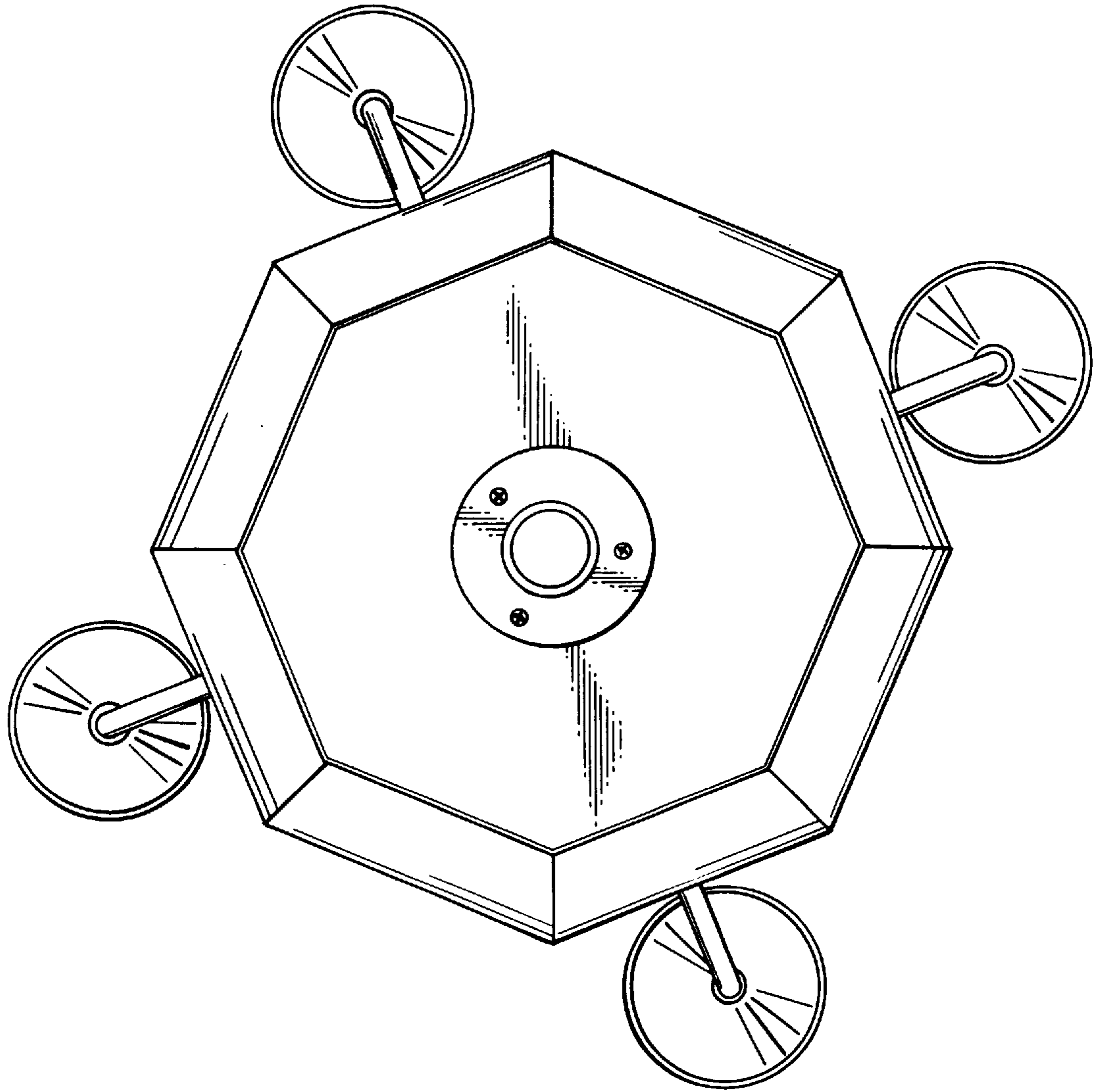


Fig. 6