



US00D399945S

# United States Patent [19]

Bonomo et al.

[11] Patent Number: **Des. 399,945**

[45] Date of Patent: **\*\*Oct. 20, 1998**

[54] **SPORTS BAG DEODORIZER**

[75] Inventors: **Joseph S. Bonomo; Carmen P. Muraca**, both of Hamilton, Canada

[73] Assignee: **Freddy Fresh Puck Industries Inc.**, Hamilton, Canada

[\*\*] Term: **14 Years**

[21] Appl. No.: **66,868**

[22] Filed: **Feb. 24, 1997**

[51] **LOC (6) Cl.** ..... **23-04**

[52] **U.S. Cl.** ..... **D23/369; D23/366**

[58] **Field of Search** ..... **D23/366-369; D9/426, 428, 429, 453; 239/55, 53, 34, 56, 57, 58, 59, 60; 261/DIG. 65; 422/123, 125, 305**

[56] **References Cited**

**U.S. PATENT DOCUMENTS**

- D. 241,847 10/1976 Jones et al. .... D23/369
- D. 367,924 3/1996 Patel et al. .... D23/366
- D. 375,350 11/1996 Patel et al. .... D23/369

- 2,220,583 11/1940 Schnebly et al. .... D23/366
- 3,286,872 11/1966 Burdick, Jr. .... D23/369
- 3,946,945 3/1976 Odioso et al. .... 239/60
- 4,014,501 3/1977 Buckenmayer .... 239/58
- 4,815,659 3/1989 Turko et al. .... 239/55

*Primary Examiner*—Lisa Lichtenstein  
*Attorney, Agent, or Firm*—Patrick J. Hofbauer

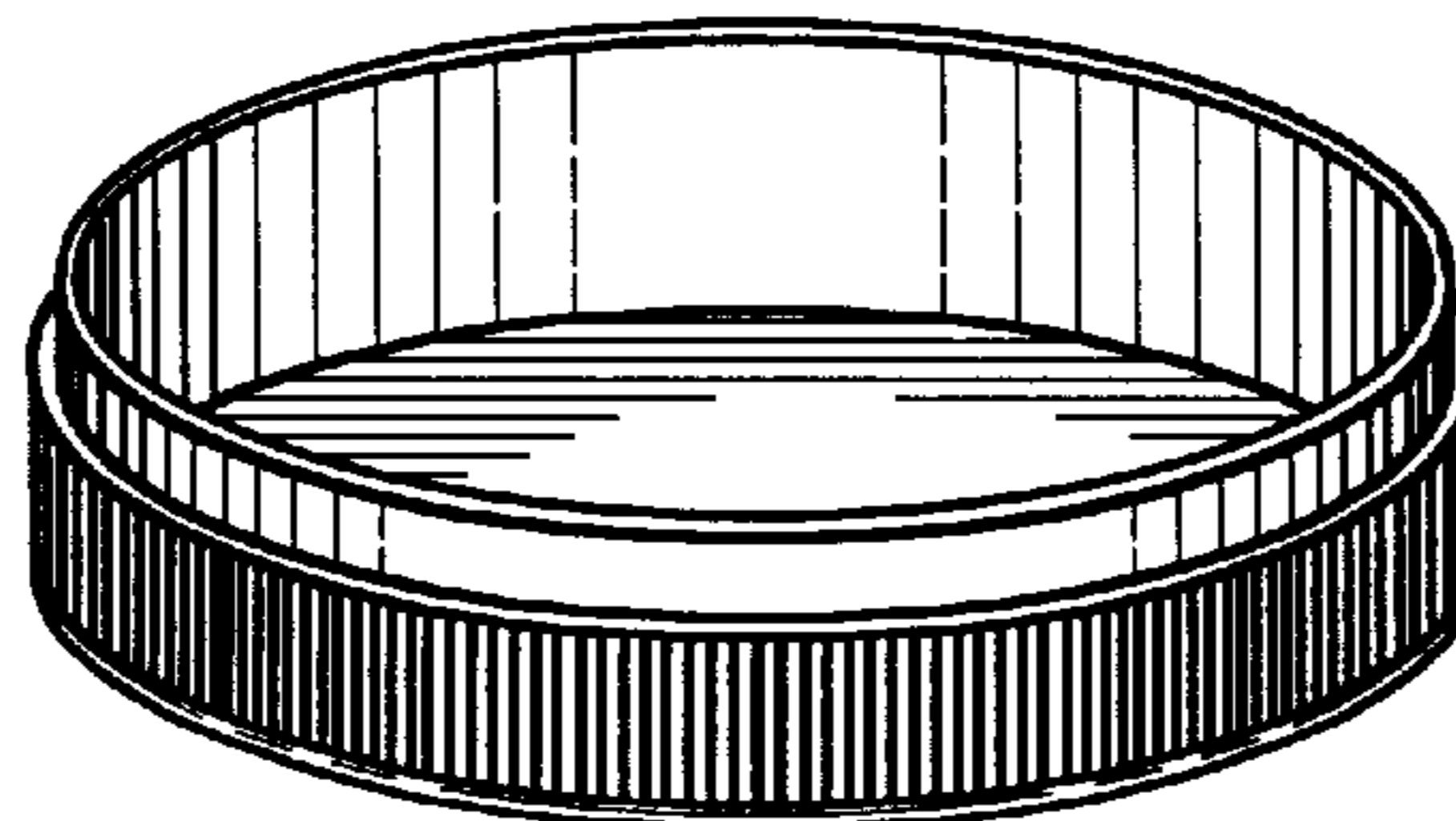
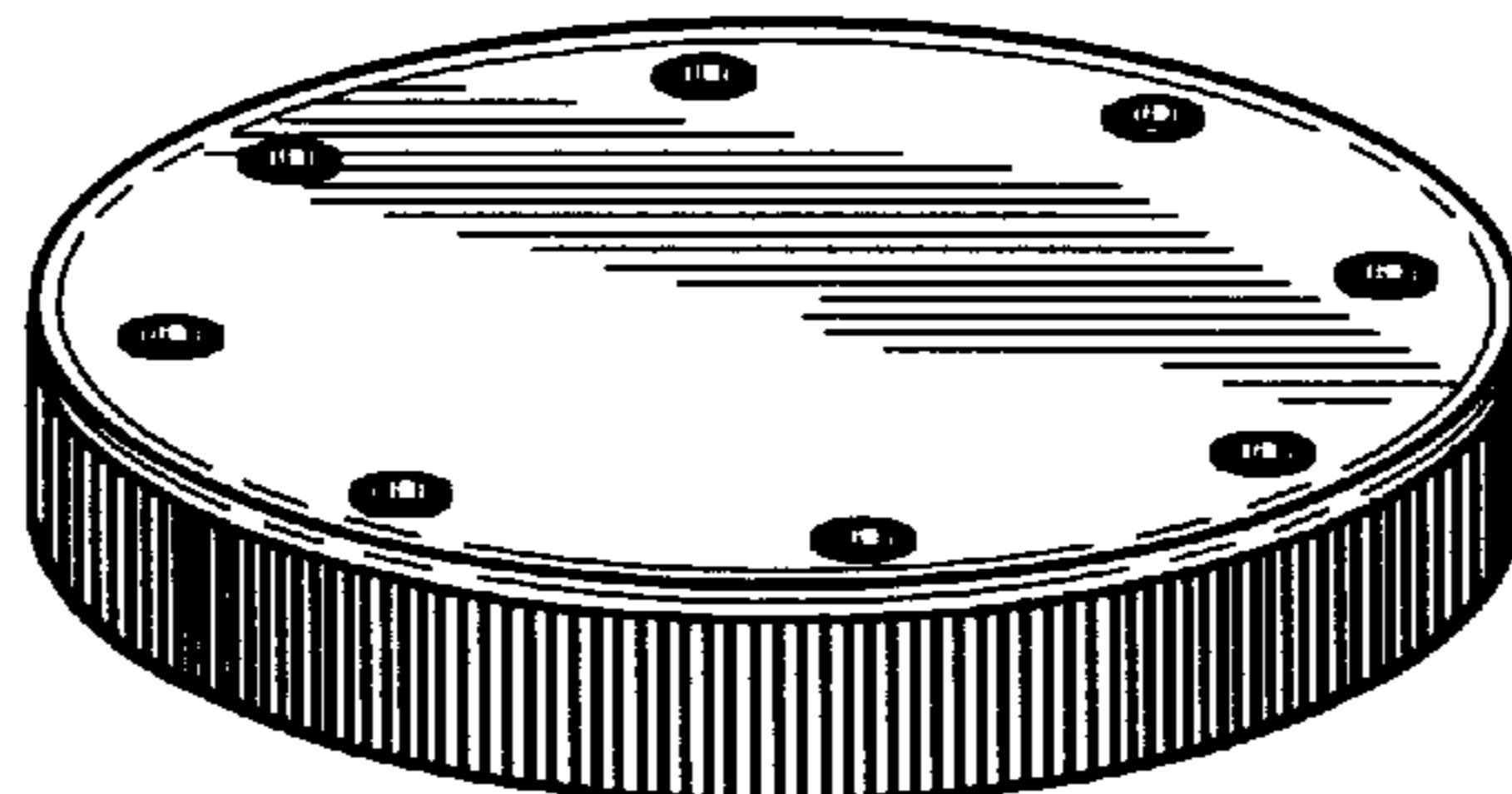
[57] **CLAIM**

The ornamental design for a sports bag deodorizer, as shown and described.

**DESCRIPTION**

FIG. 1 is a top perspective view of a sports bag deodorizer showing my design;  
FIG. 2 is a top plan view of the sports bag deodorizer of FIG. 1;  
FIG. 3 is a side elevational view of the sports bag deodorizer of FIG. 1, the other sides being identical to that shown;  
FIG. 4 is a bottom plan view of the sports bag deodorizer of FIG. 1; and,  
FIG. 5 is an exploded top perspective view of the sports bag deodorizer of FIG. 1.

**1 Claim, 1 Drawing Sheet**



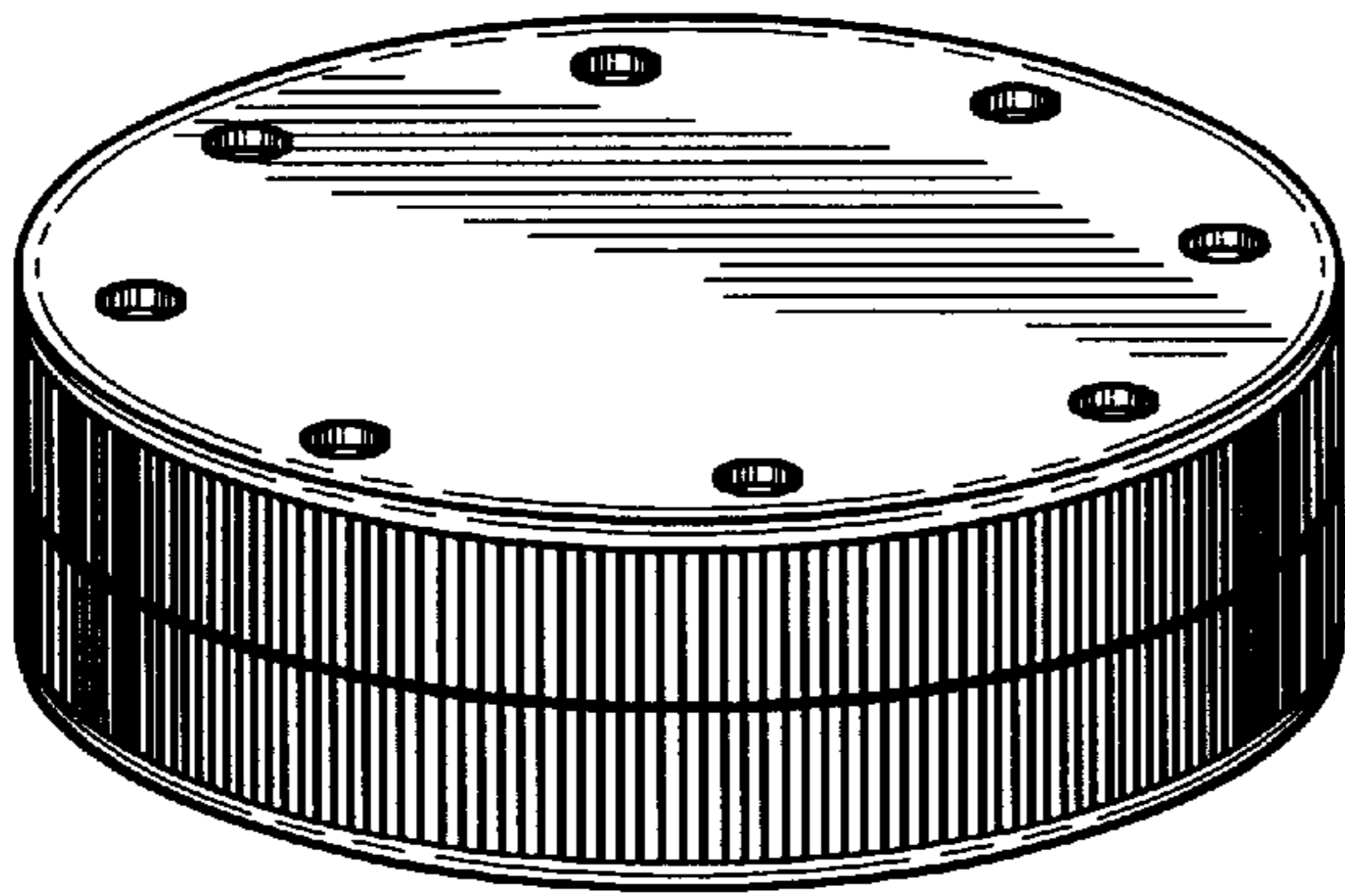


FIG. 1

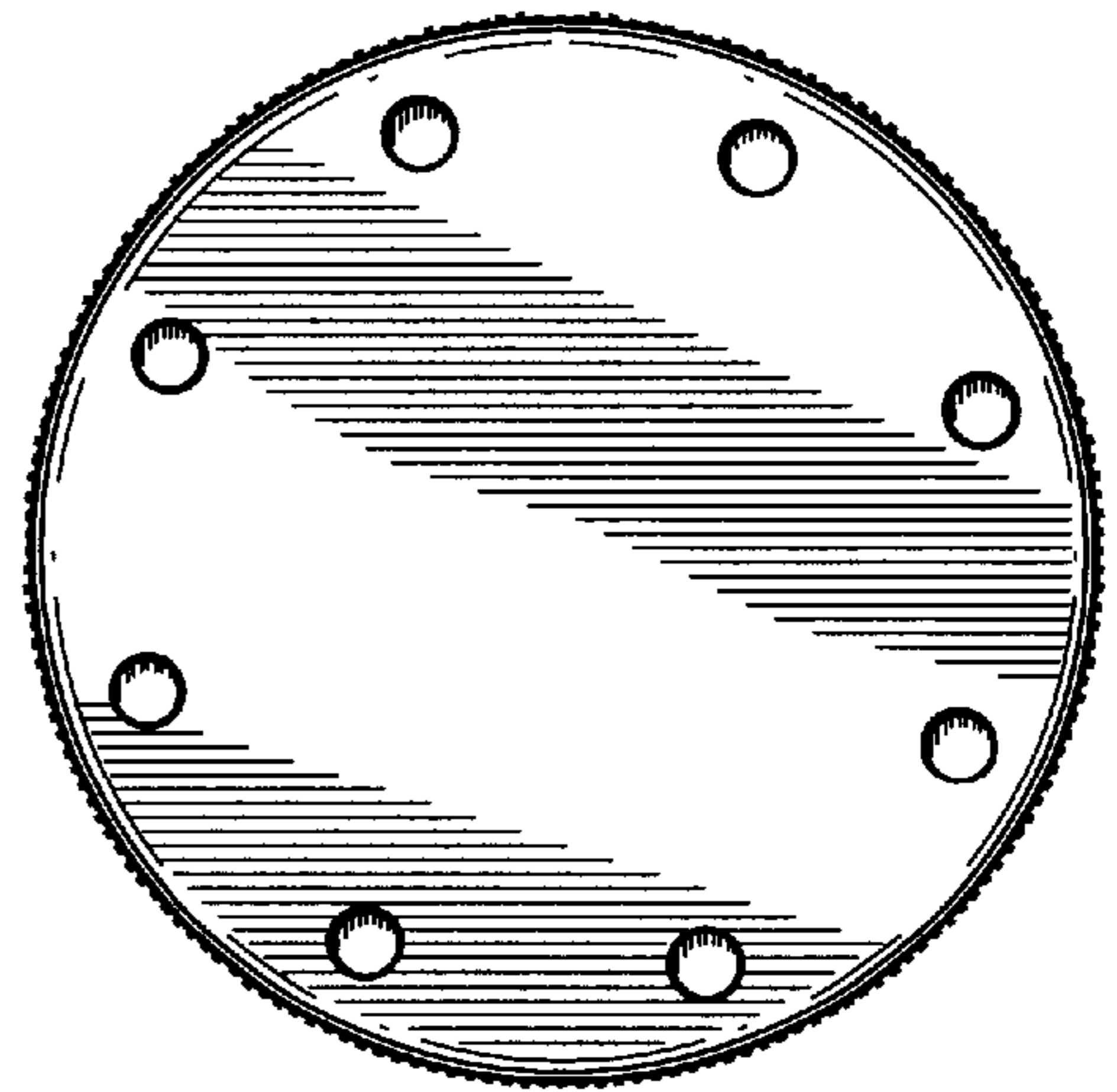


FIG. 2

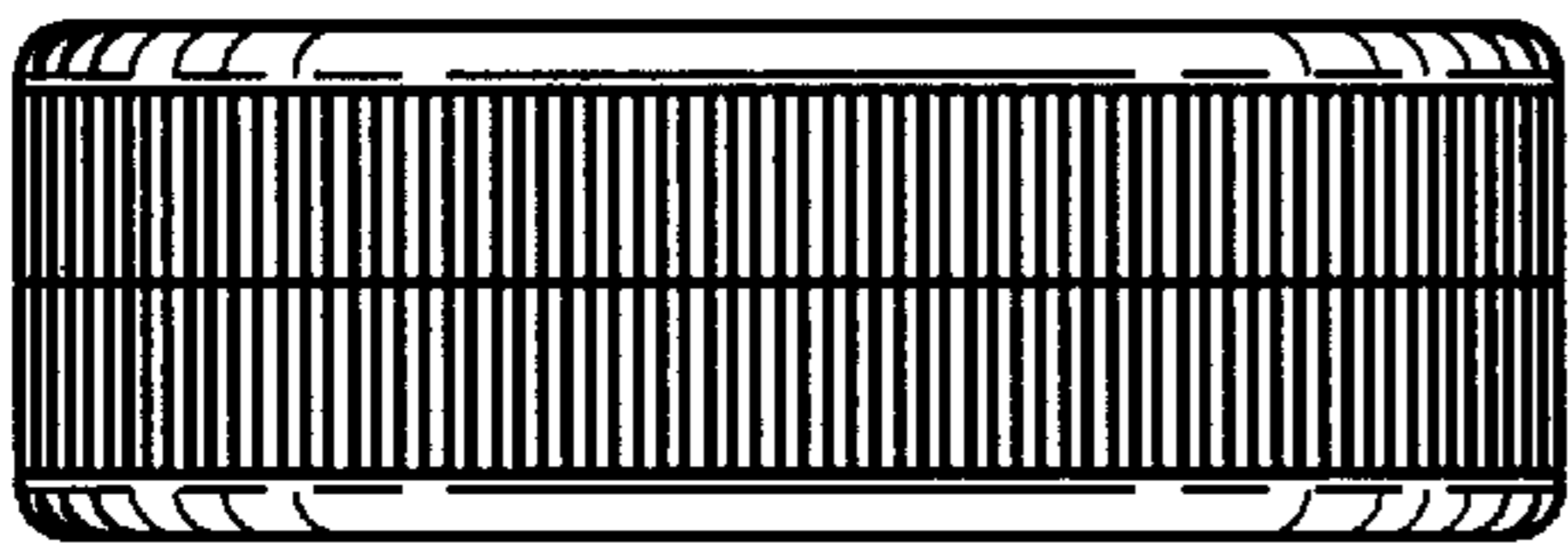


FIG. 3

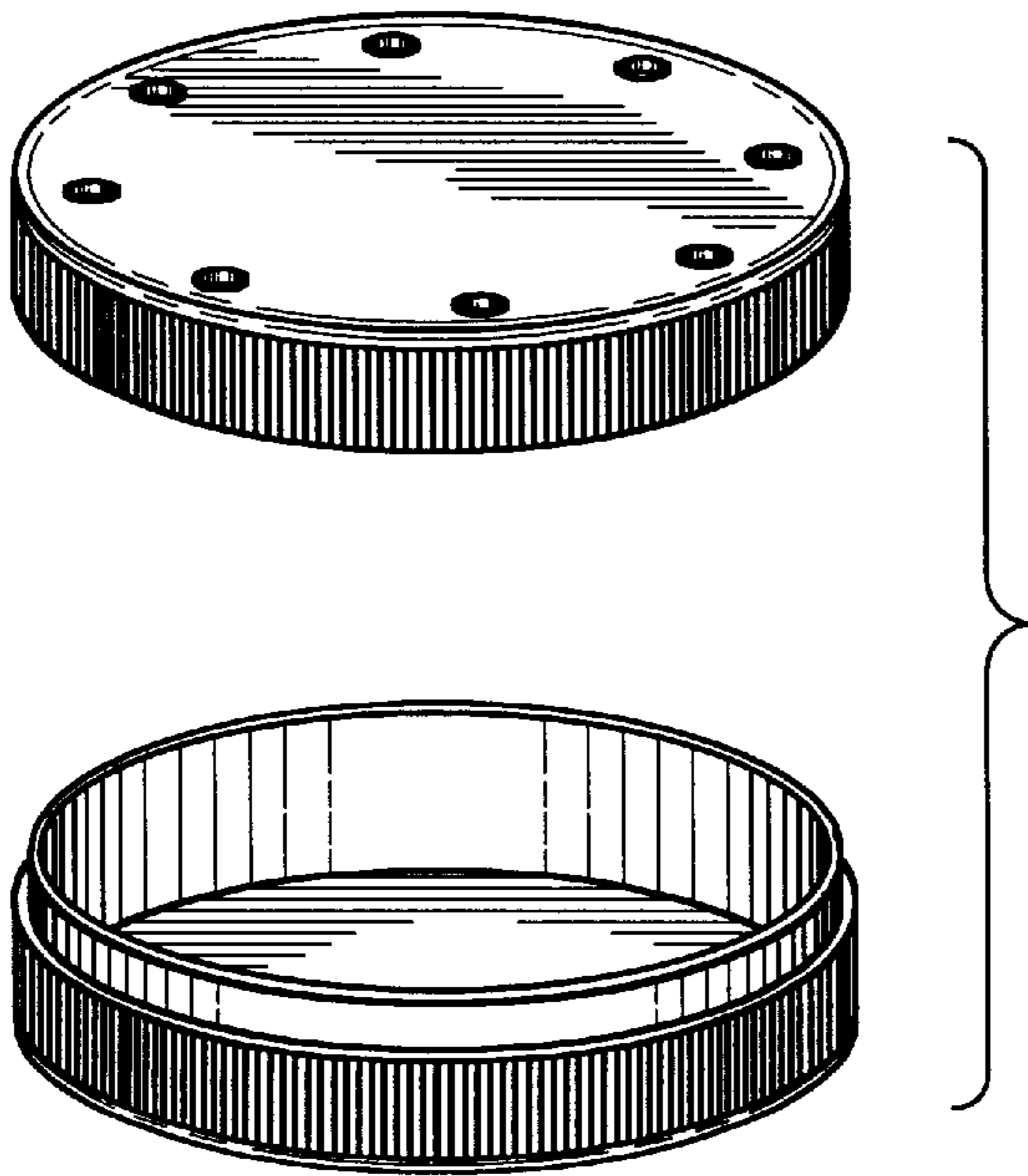


FIG. 5

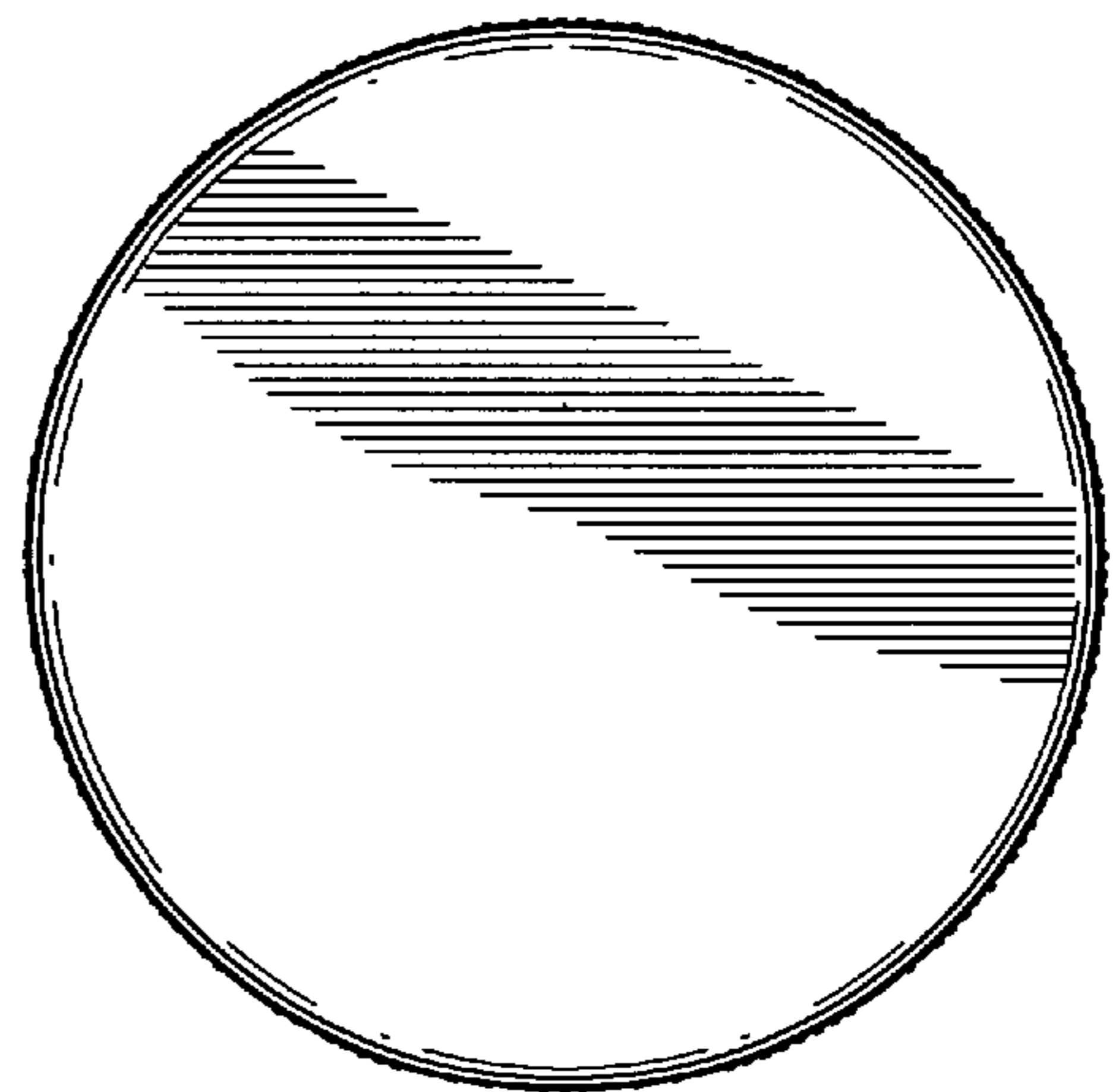


FIG. 4