



US00D399944S

# United States Patent [19] Gillingham et al.

[11] Patent Number: **Des. 399,944**

[45] Date of Patent: **\*\*Oct. 20, 1998**

[54] CONICAL FILTER

[75] Inventors: **Gary R. Gillingham**, Prior Lake;  
**Wayne M. Wagner**; **Joseph C. Tokar**,  
both of Apple Valley; **Daniel T. Risch**;  
**Jim C. Rothman**, both of Burnsville;  
**Steven A. Carter**, Eagan, all of Minn.

[73] Assignee: **Donaldson Company, Inc.**,  
Minneapolis, Minn.

[\*\*] Term: **14 Years**

[21] Appl. No.: **53,683**

[22] Filed: **Apr. 26, 1996**

[51] LOC (6) Cl. .... **23-04**

[52] U.S. Cl. .... **D23/365**

[58] Field of Search ..... D23/365; 55/498;  
210/439, 484, 493.4

4,782,912 11/1988 Wandless .  
4,925,561 5/1990 Ishii et al. .  
4,936,413 6/1990 Lee .  
5,106,397 4/1992 Jaroszczyk et al. .  
5,125,940 6/1992 Stanhope et al. .  
5,320,657 6/1994 Adams .  
5,458,666 10/1995 Miyakata .  
5,522,909 6/1996 Haggard .  
5,549,722 8/1996 Zemaitis et al. .  
5,549,724 8/1996 Mochida .

### FOREIGN PATENT DOCUMENTS

152513 8/1985 European Pat. Off. .... 55/498

*Primary Examiner*—Lisa Lichtenstein  
*Attorney, Agent, or Firm*—Merchant, Gould, Smith, Edell,  
Welter & Schmidt

### [57] CLAIM

The ornamental design for a conical filter, as shown and described.

### DESCRIPTION

FIG. 1 shows a perspective view of an embodiment of a conical filter, according to the principles of the present invention;  
FIG. 2 shows a side elevational view thereof, the other sides being identical to that shown;  
FIG. 3 shows a top plan view thereof; and,  
FIG. 4 shows a bottom plan view thereof.

**1 Claim, 2 Drawing Sheets**

### [56] References Cited

#### U.S. PATENT DOCUMENTS

D. 342,990 1/1994 Jaroszczyk ..... D23/365  
1,639,133 8/1927 Greene .  
3,112,184 11/1963 Hollenbach .  
3,807,150 4/1974 Maracle .  
4,039,457 8/1977 Schacht et al. .  
4,157,902 6/1979 Tokar .  
4,430,223 2/1984 Miyakawa et al. .  
4,439,321 3/1984 Taki et al. .

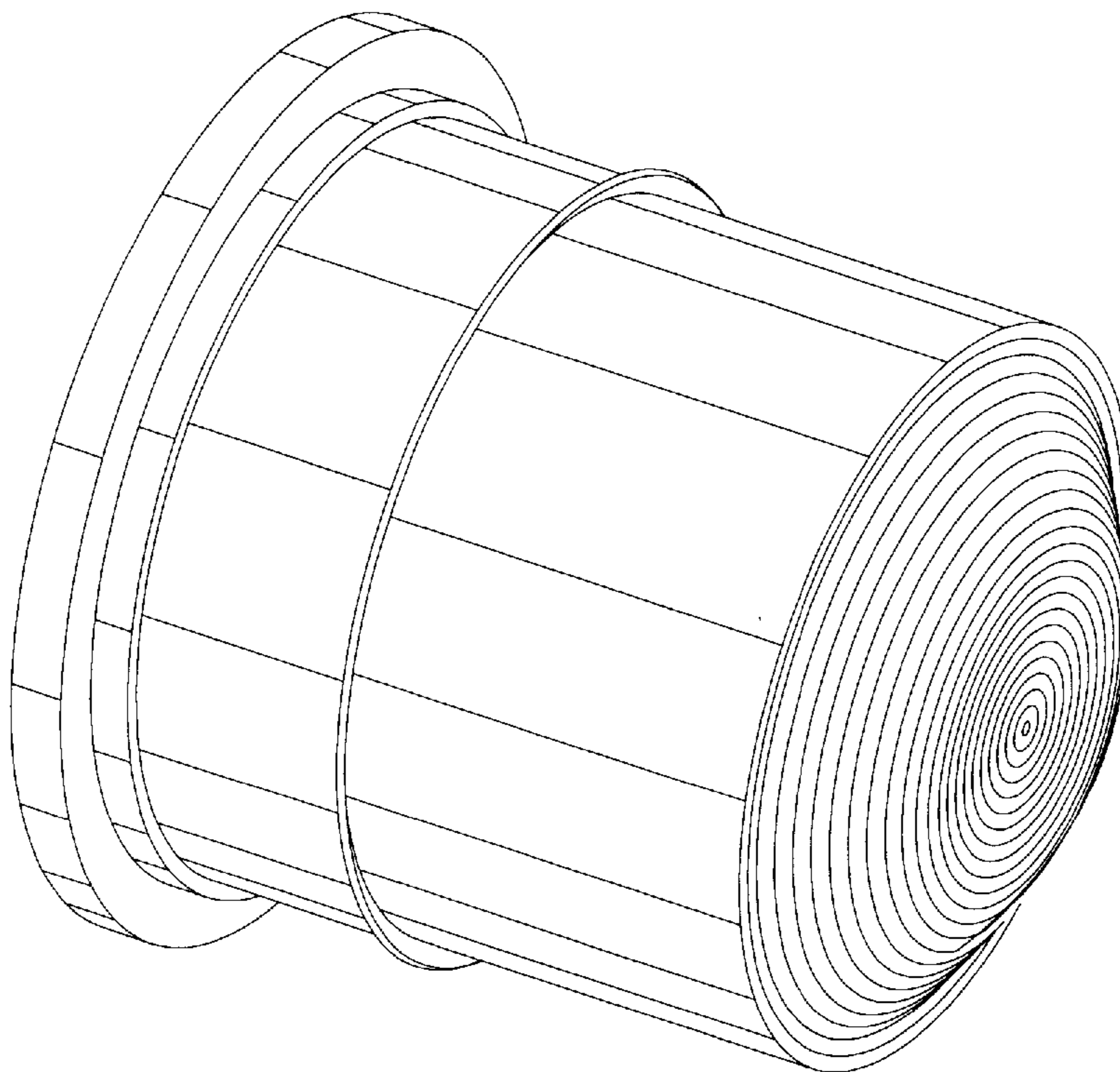


FIG. 1

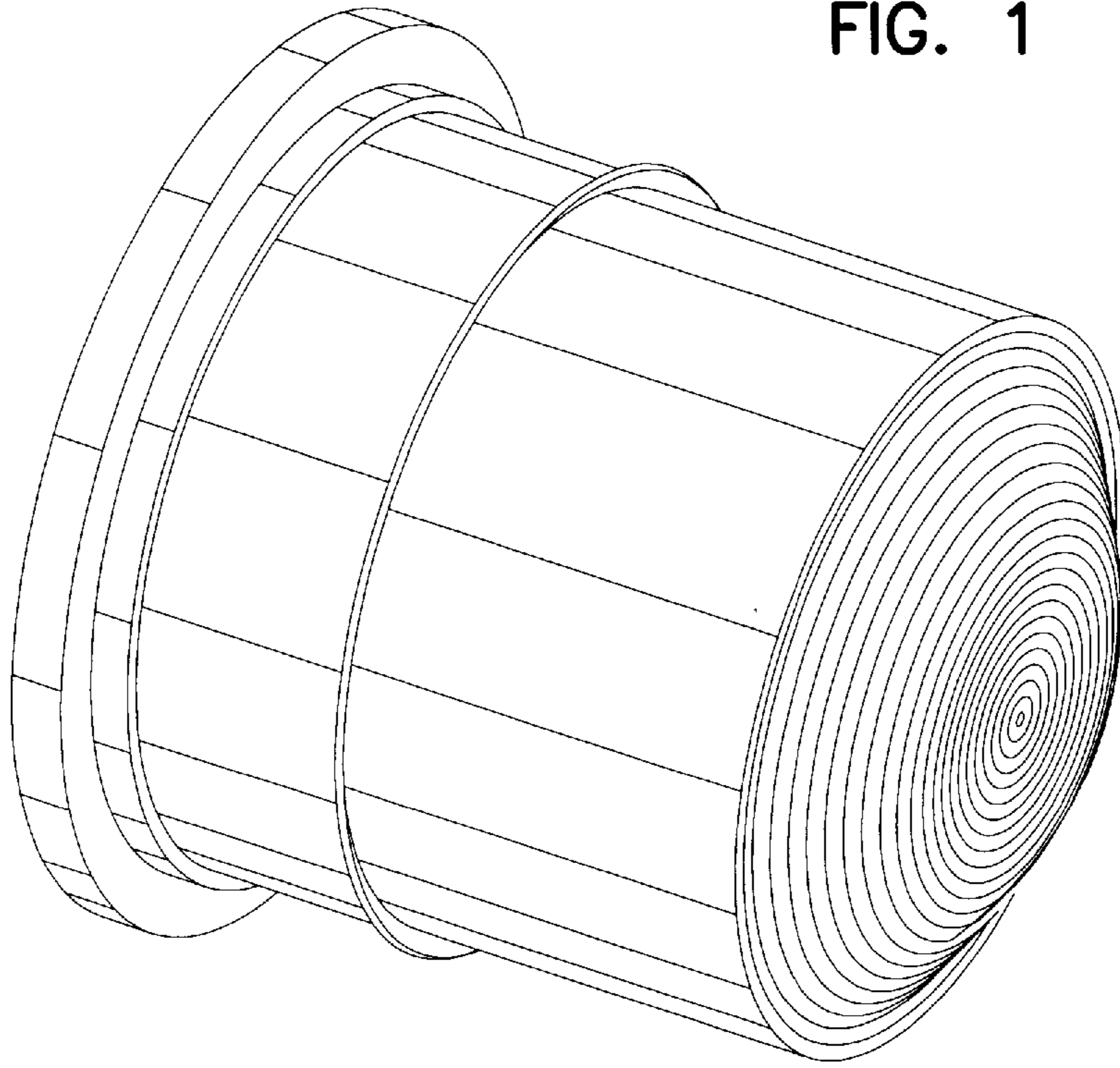


FIG. 2

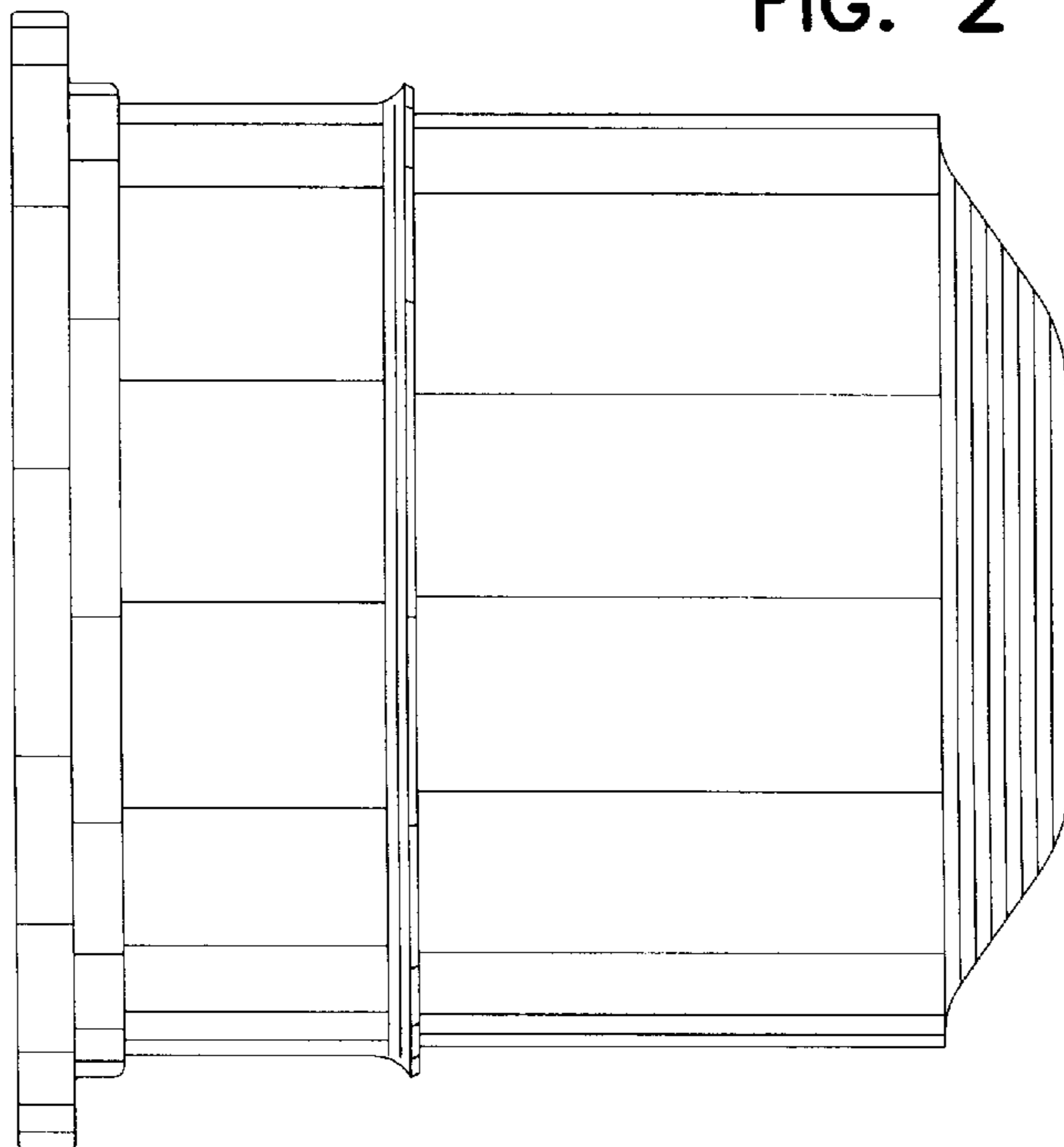


FIG. 3

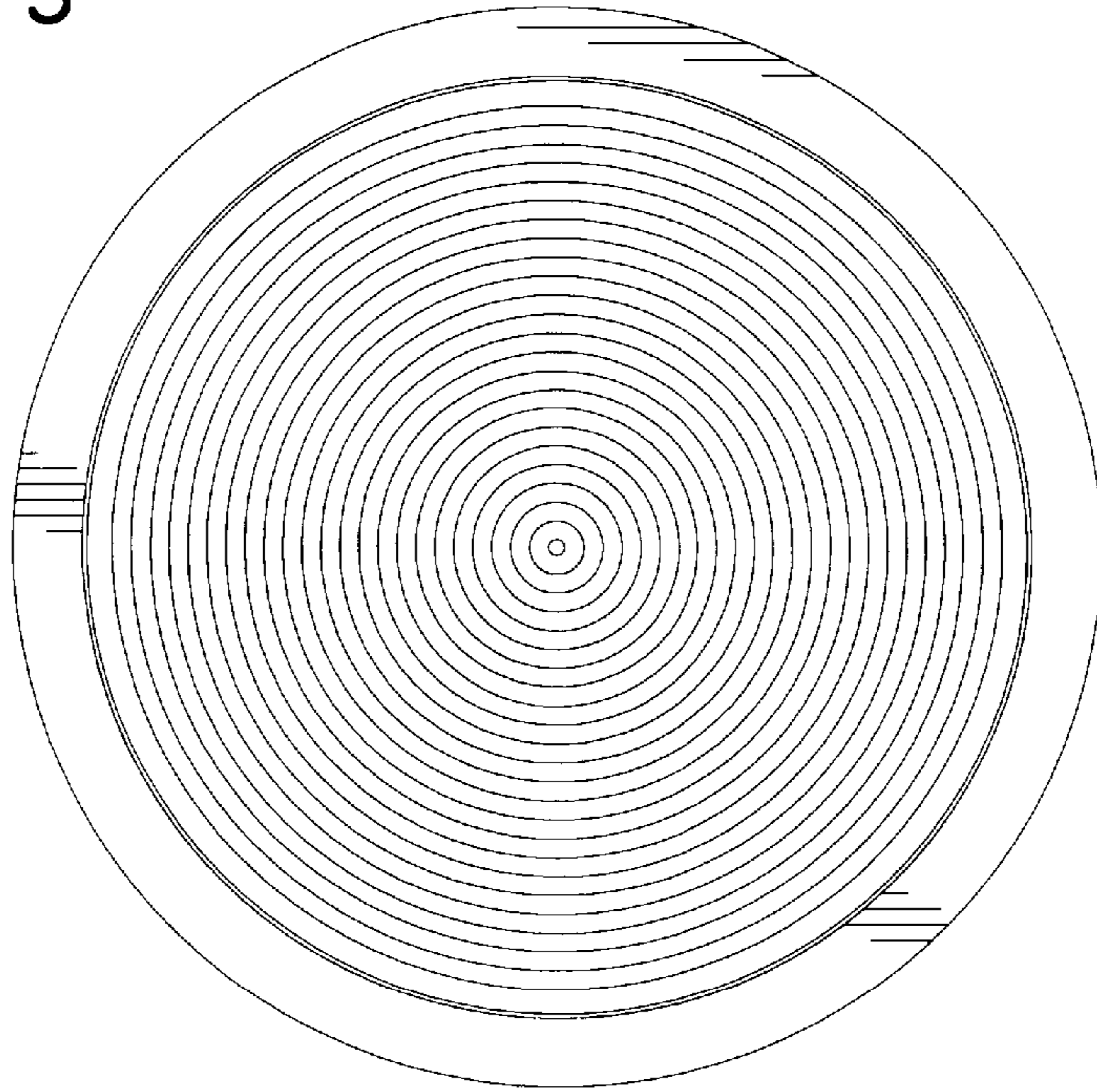


FIG. 4

