



US00D399942S

United States Patent [19]
Carroll et al.

[11] **Patent Number: Des. 399,942**

[45] **Date of Patent: **Oct. 20, 1998**

[54] **AIR CLEANER**

D. 328,637 8/1992 Muller et al. D23/364

[75] Inventors: **Maureen Carroll**, Atlanta; **Mark J. Moneypenny**, Atlanta, both of Ga.

Primary Examiner—Lisa Lichtenstein
Attorney, Agent, or Firm—Carol I. Bordas; Michael J. Kline

[73] Assignee: **Sunbeam Products, Inc.**, Delray Beach, Fla.

[57] **CLAIM**

[**] Term: **14 Years**

The ornamental design for an air cleaner, as shown.

[21] Appl. No.: **46,737**

DESCRIPTION

[22] Filed: **Oct. 31, 1995**

FIG. 1 is a top right front perspective view of an air cleaner showing my design;

[51] **LOC (6) Cl.** **23-04**

FIG. 2 is a front elevational view thereof;

[52] **U.S. Cl.** **D23/364; D23/355; D23/365**

FIG. 3 is a top plan view thereof;

[58] **Field of Search** D23/364, 365,
D23/355, 370, 335; 422/122, 120; 55/356,
367

FIG. 4 is a bottom plan view thereof;

FIG. 5 is a left side elevational view thereof;

FIG. 6 is a right side elevational view thereof; and,

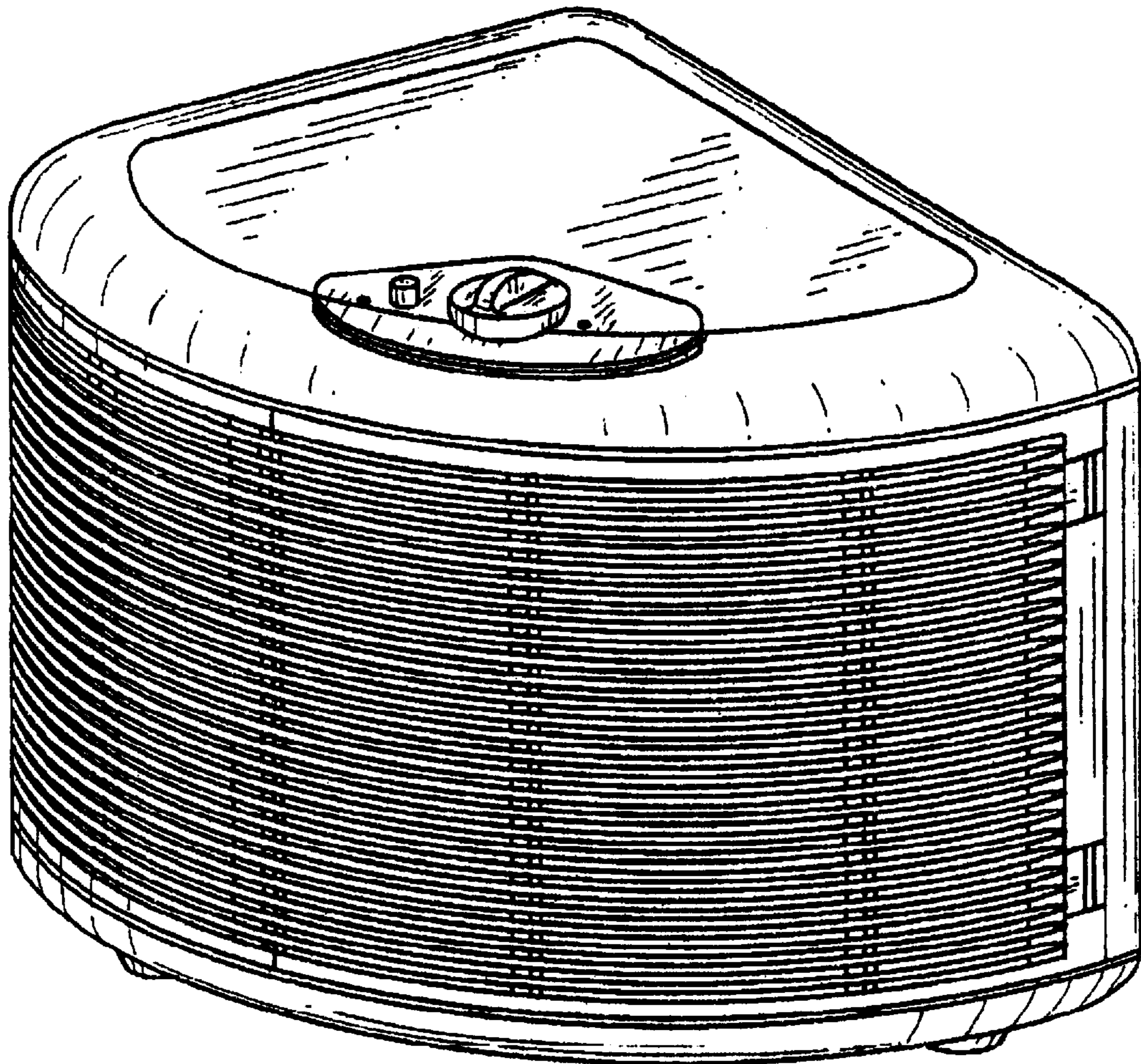
FIG. 7 is a rear elevational view thereof.

[56] **References Cited**

U.S. PATENT DOCUMENTS

D. 124,811 1/1941 Wilson D23/335

1 Claim, 4 Drawing Sheets



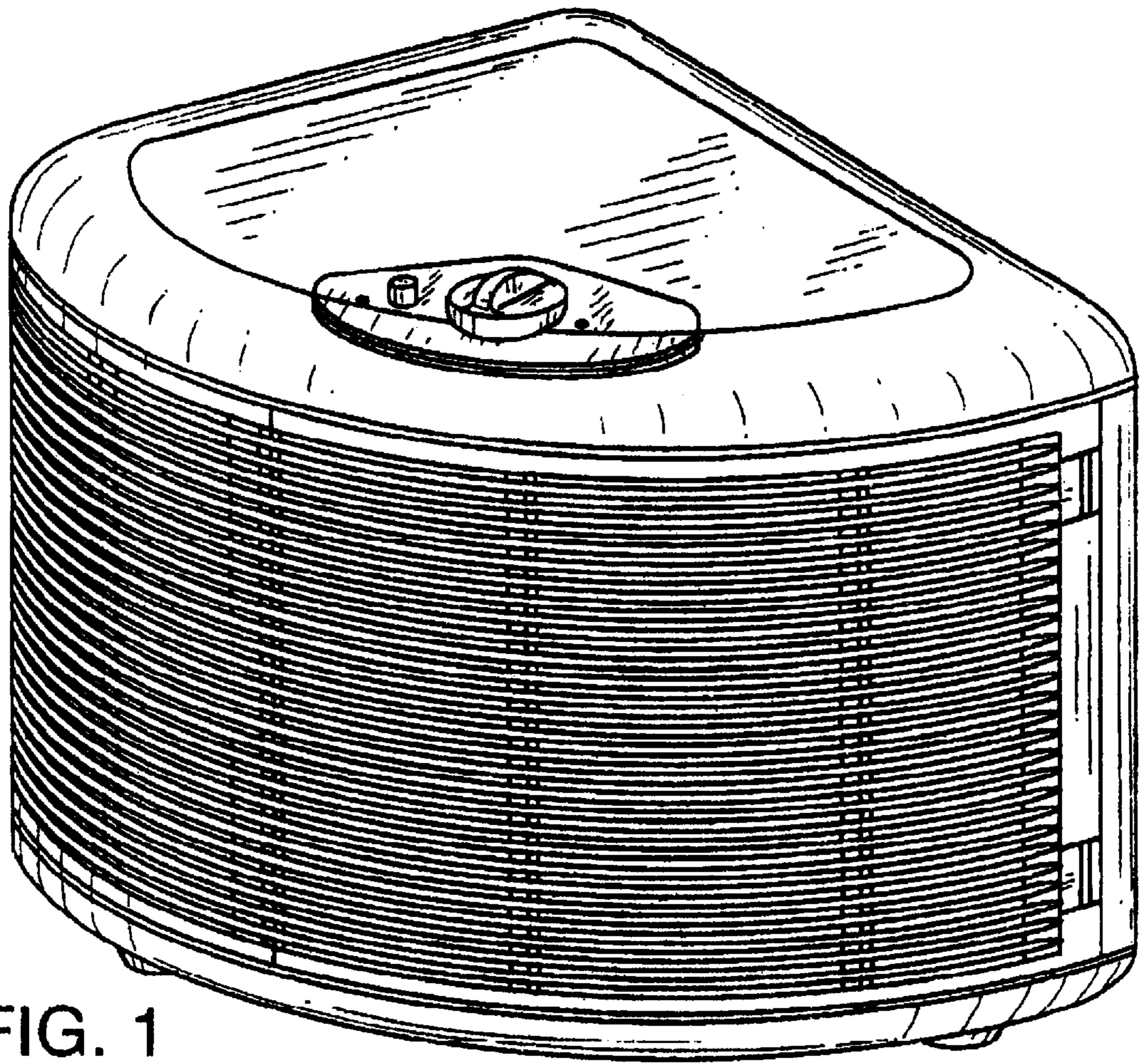


FIG. 1

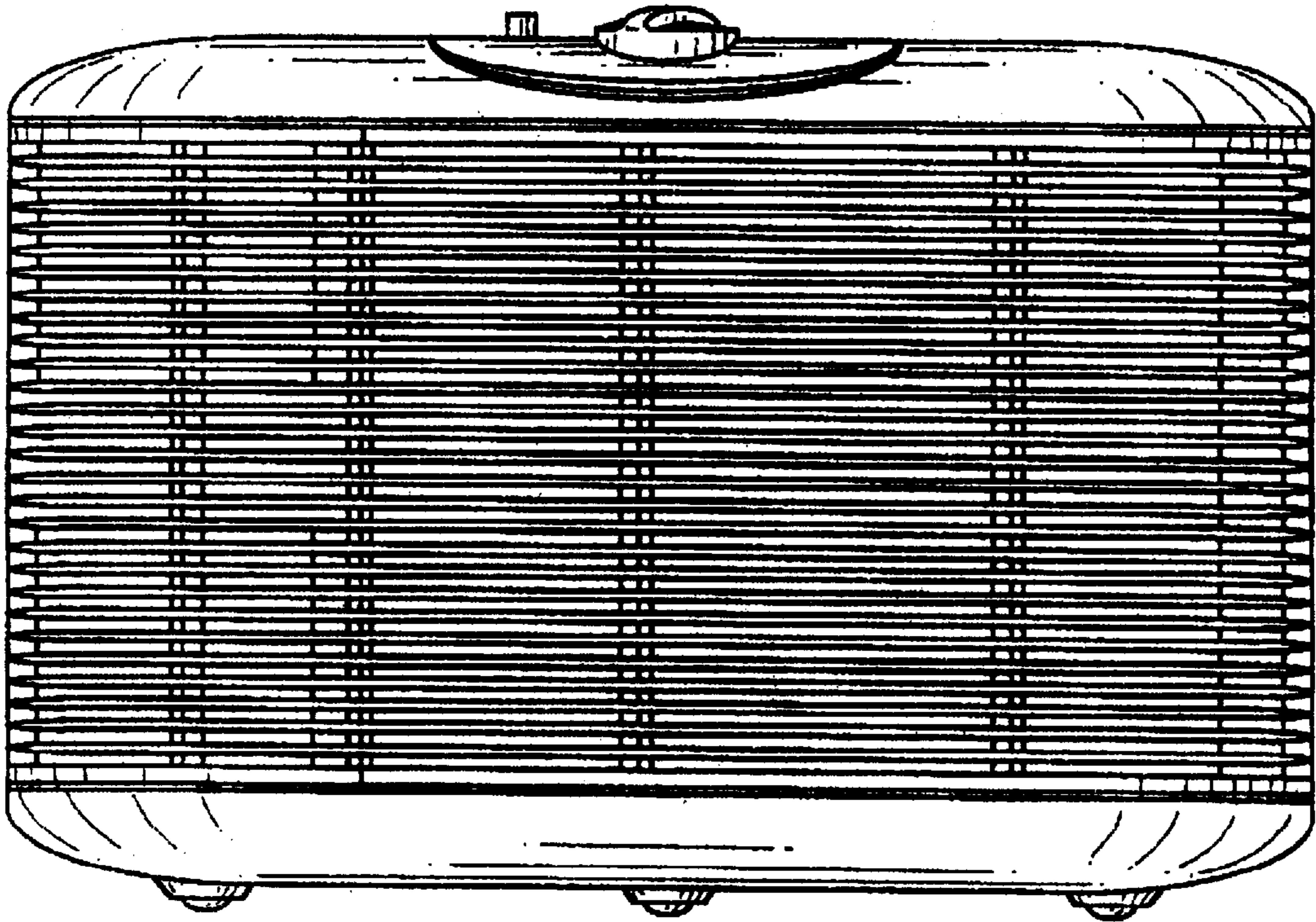


FIG. 2

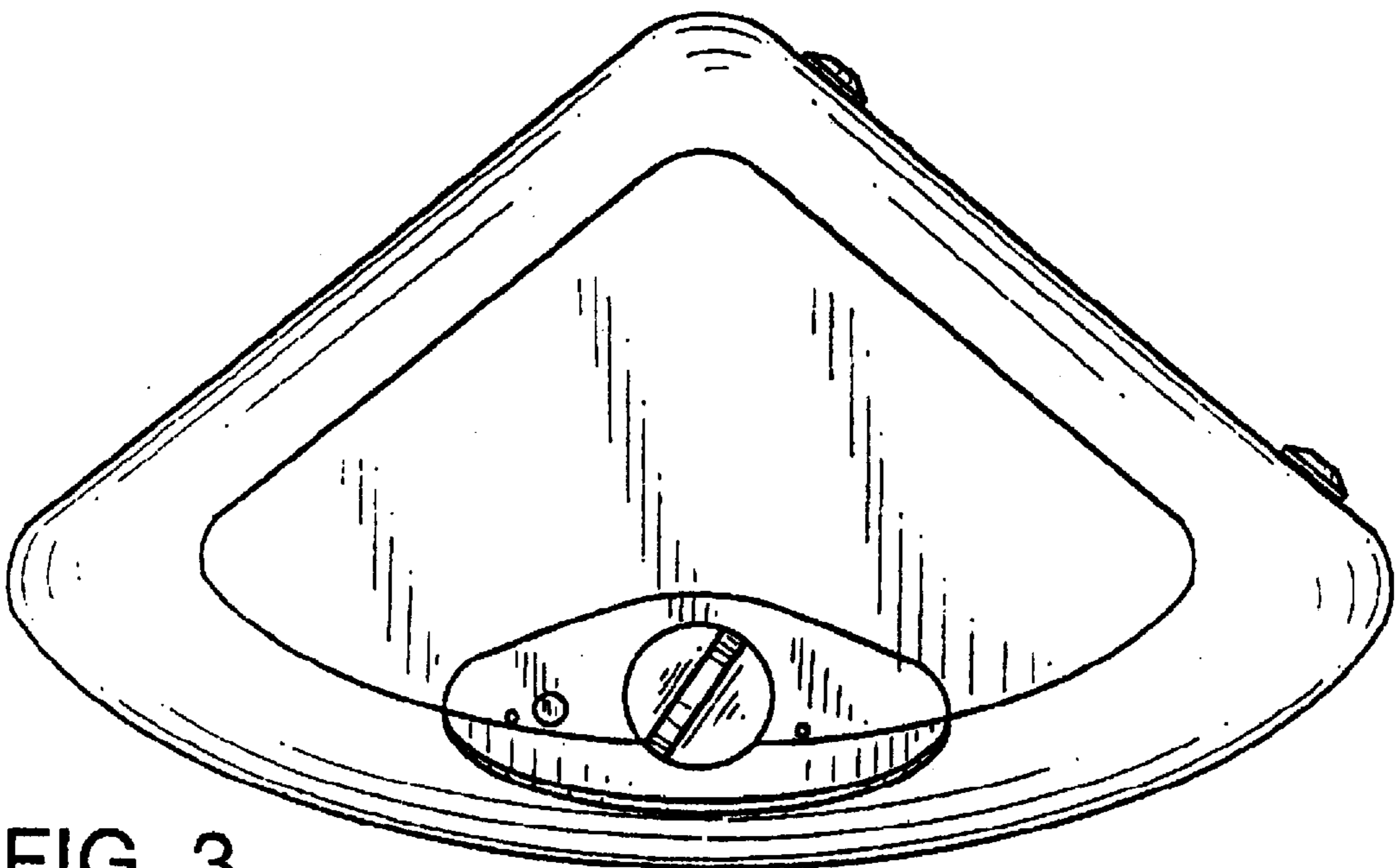


FIG. 3

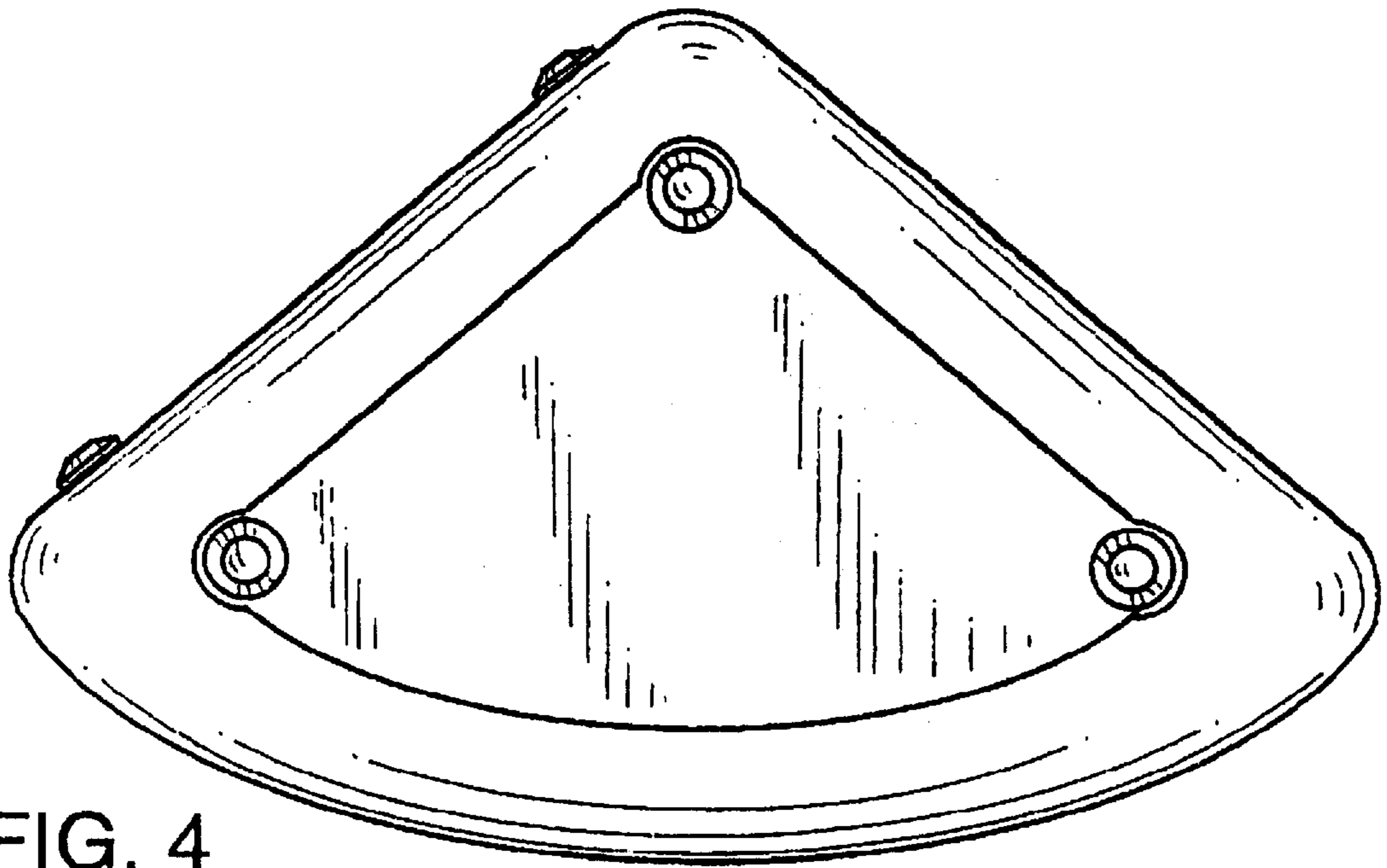


FIG. 4

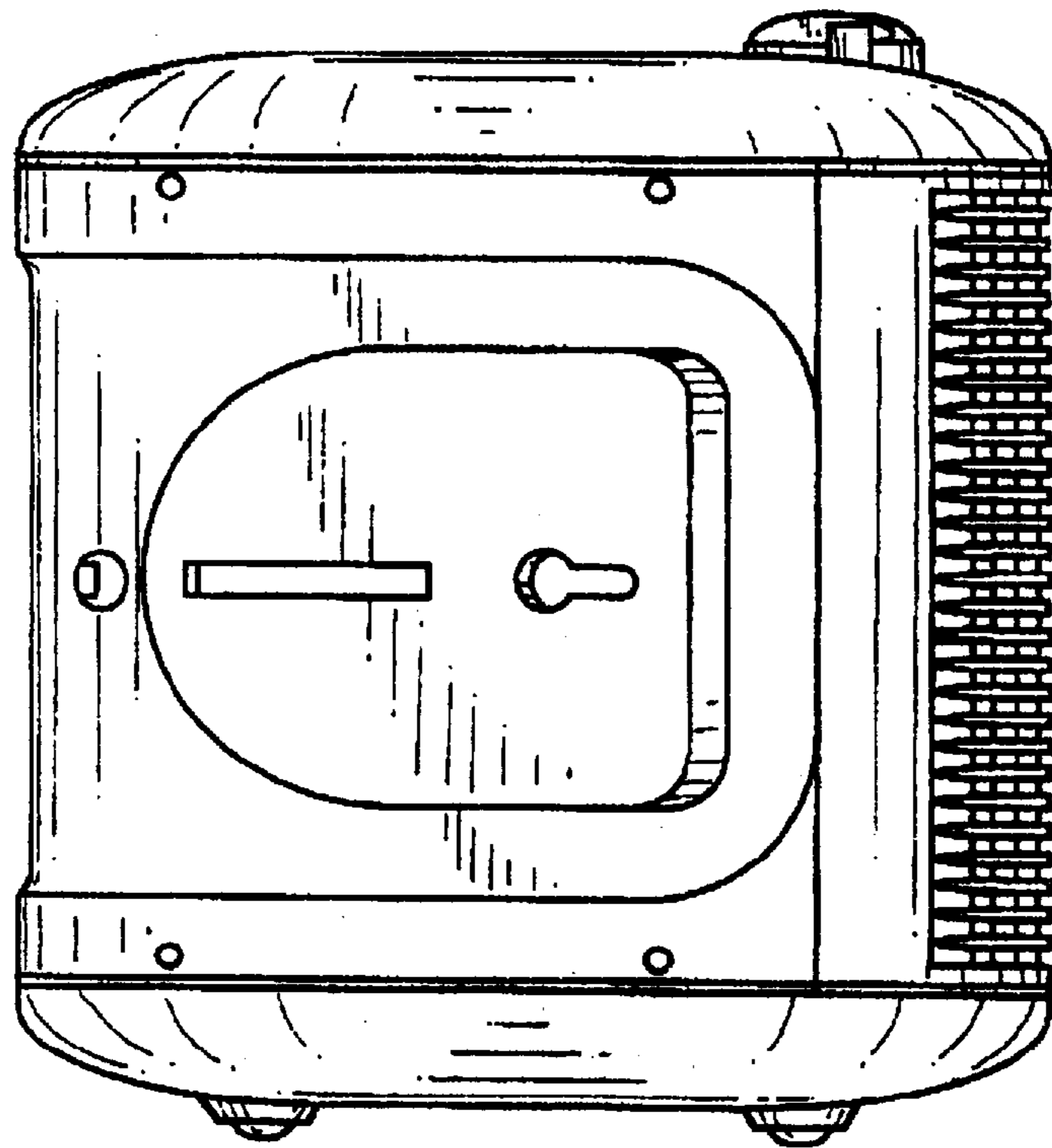


FIG. 5

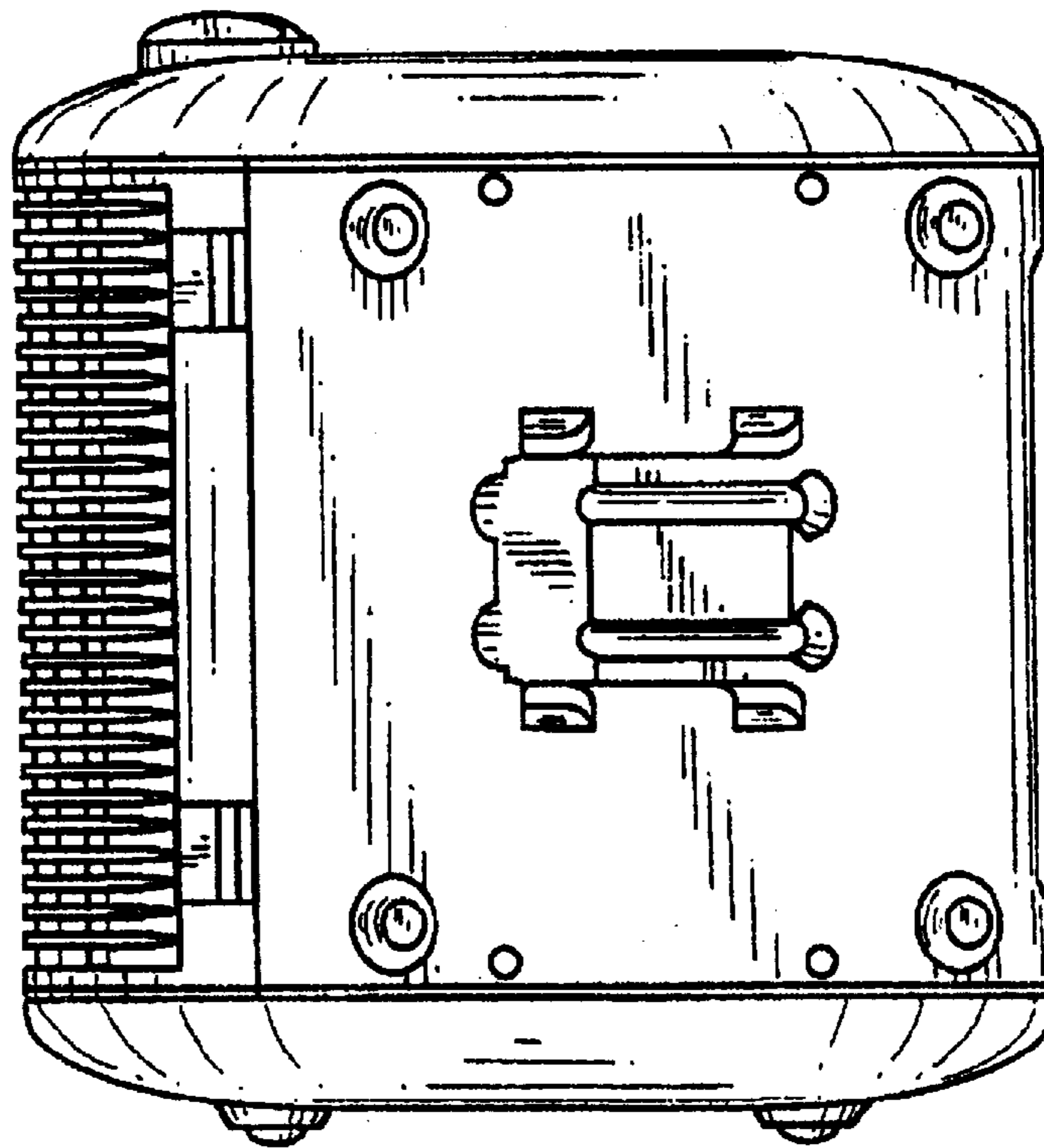


FIG. 6

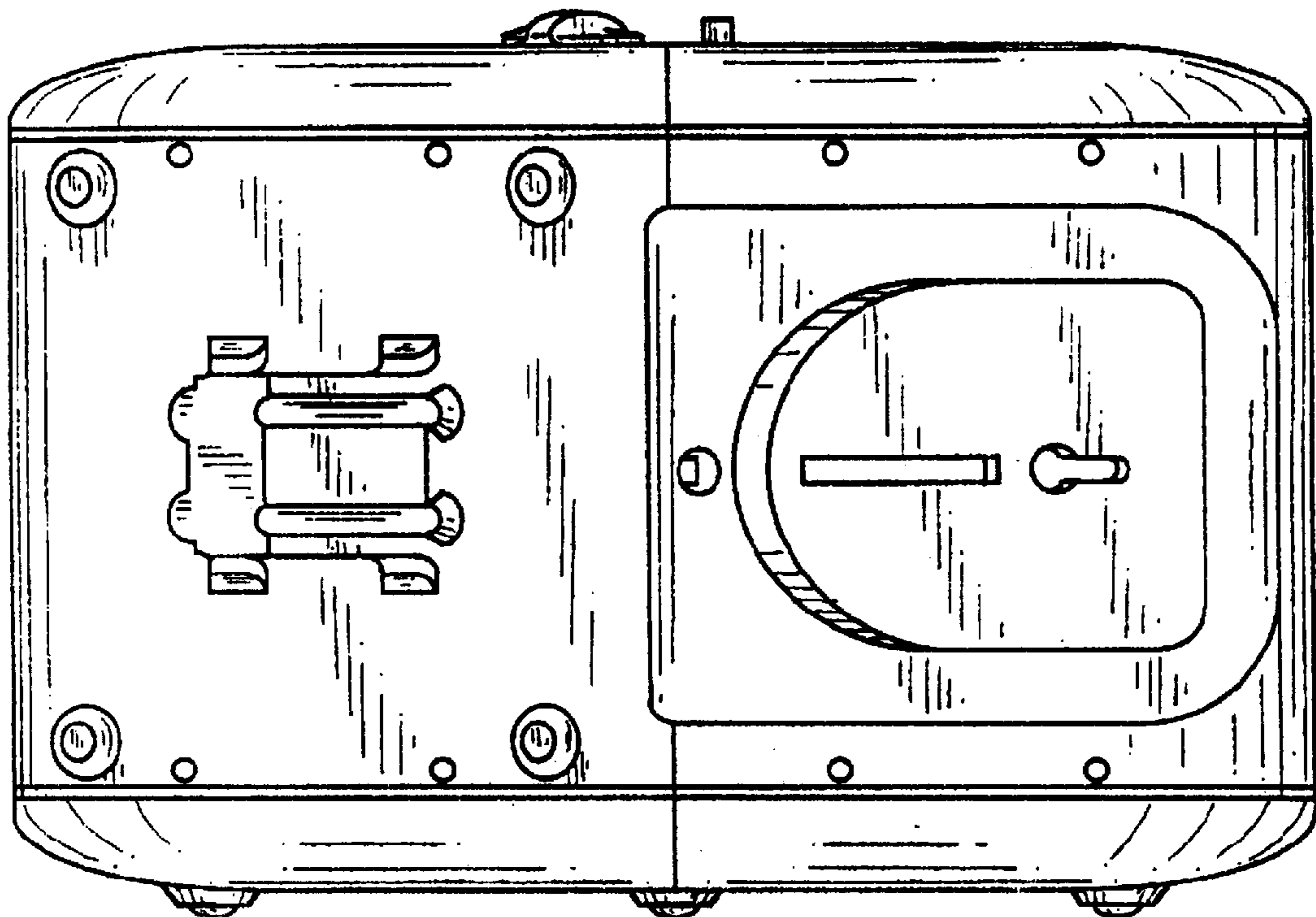


FIG. 7