



US00D399938S

United States Patent [19]

Miller et al.

[11] Patent Number: Des. 399,938

[45] Date of Patent: **Oct. 20, 1998

[54] SUPPLIED AIR FAN AND ELECTRONICS UNIT FOR A PERSONAL ENVIRONMENT SYSTEM INCLUDING AN AIR MIXING EXTENSION UNIT

[75] Inventors: **Dennis E. Miller**, Greendale, Wis.; **Doug Cooke**, Charlestown, Mass.; **Ricardo L. Fernandez**, Beverly, Mass.; **Kenneth G. Shown**, Southbridge, Mass.; **Keith H. Lengling**; **Carol Lomonaco**, both of Wauwatosa, Wis.; **Richard Watson**, Boston, Mass.

[73] Assignee: **Johnson Service Company**, Milwaukee, Wis.

[**] Term: **14 Years**

[21] Appl. No.: **69,283**

[22] Filed: **Mar. 25, 1997**

[51] LOC (6) Cl. **23-04**

[52] U.S. Cl. **D23/351; D23/355; D23/370**

[58] Field of Search **D23/355, 351-354, D23/370; 55/467; 454/321, 233; 62/263**

[56] References Cited

U.S. PATENT DOCUMENTS

4,860,642 8/1989 Nussbaum 454/233

Primary Examiner—Lisa Lichtenstein
Attorney, Agent, or Firm—Quarles & Brady

[57] CLAIM

The ornamental design for a supplied air fan and electronics unit for a personal environment system including an air mixing extension unit, as shown.

DESCRIPTION

FIG. 1 is a left front perspective view of a supplied air fan and electronics unit for a personal environment system including an air mixing extension unit showing our new design;

FIG. 2 is a top view of the supplied air fan and electronics unit for a personal environment system of FIG. 1;

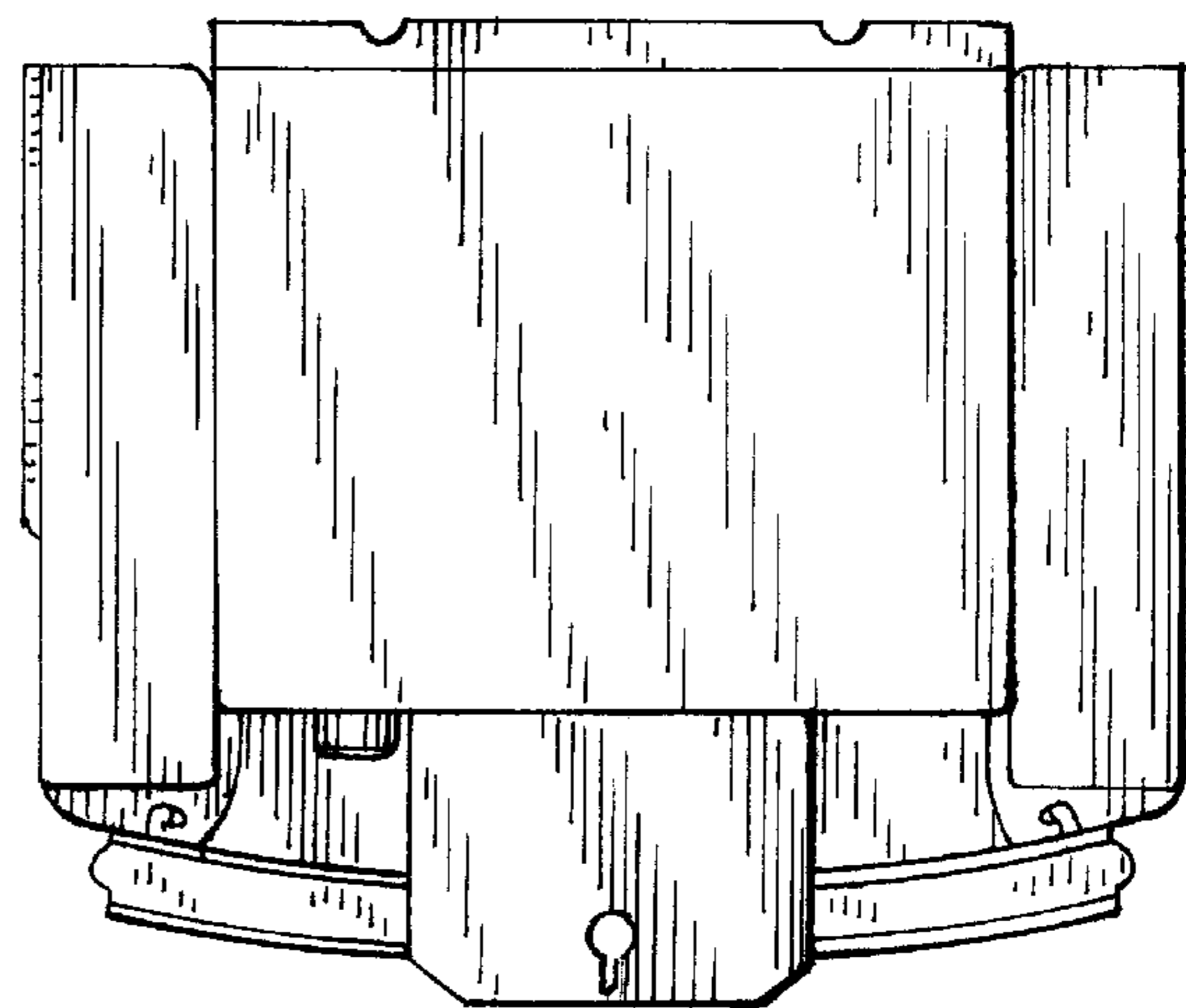
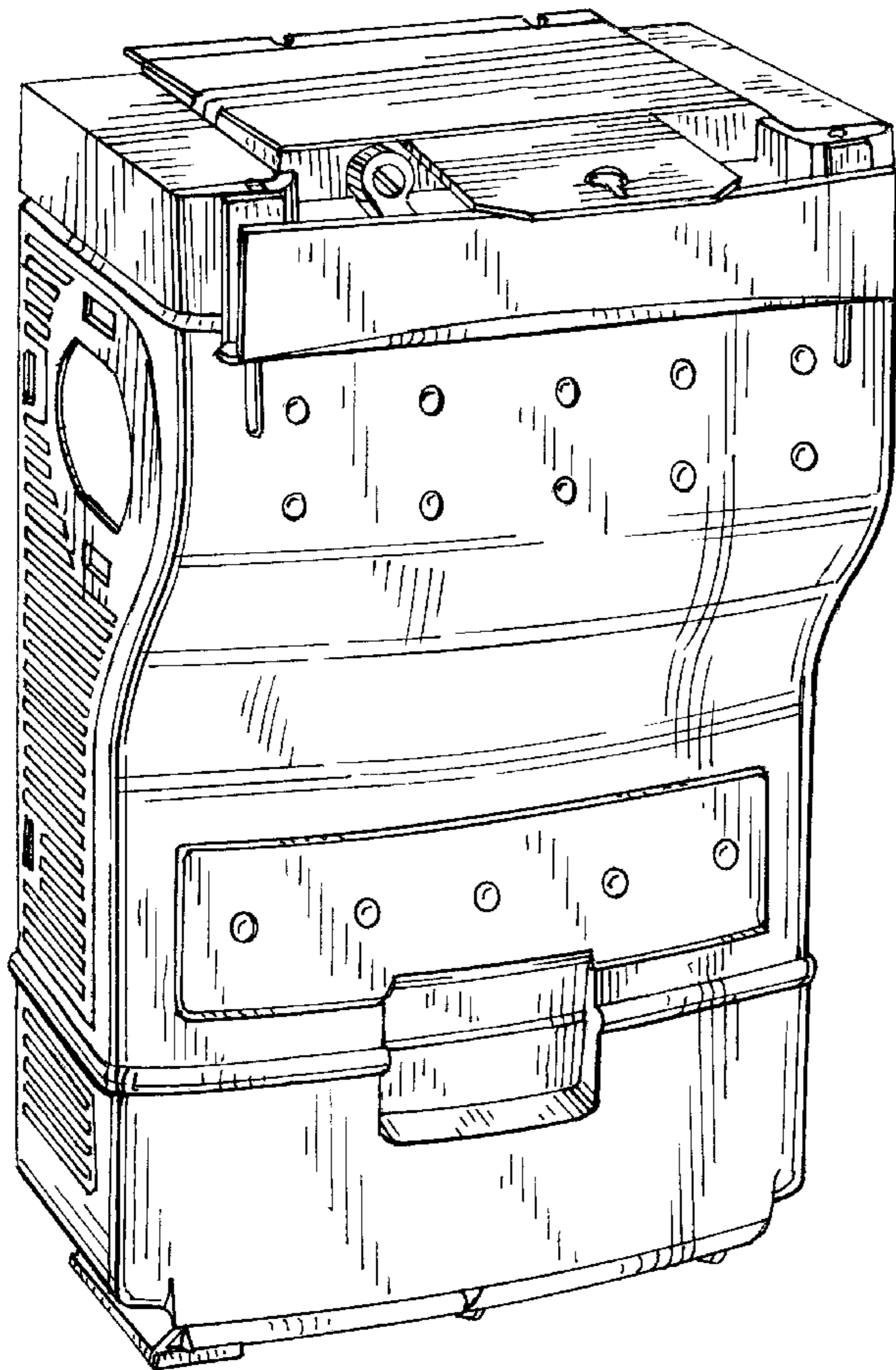
FIG. 3 is a front elevational view of the supplied air fan and electronics unit for a personal environment system of FIG. 1;

FIG. 4 is a right side elevational view of the supplied air fan and electronics unit for a personal environment system of FIG. 1;

FIG. 5 is a left side elevational view of the supplied air fan and electronics unit for a personal environment system of FIG. 1; and,

FIG. 6 is a bottom view of the supplied air fan and electronics unit for a personal environment system of FIG. 1.

1 Claim, 3 Drawing Sheets



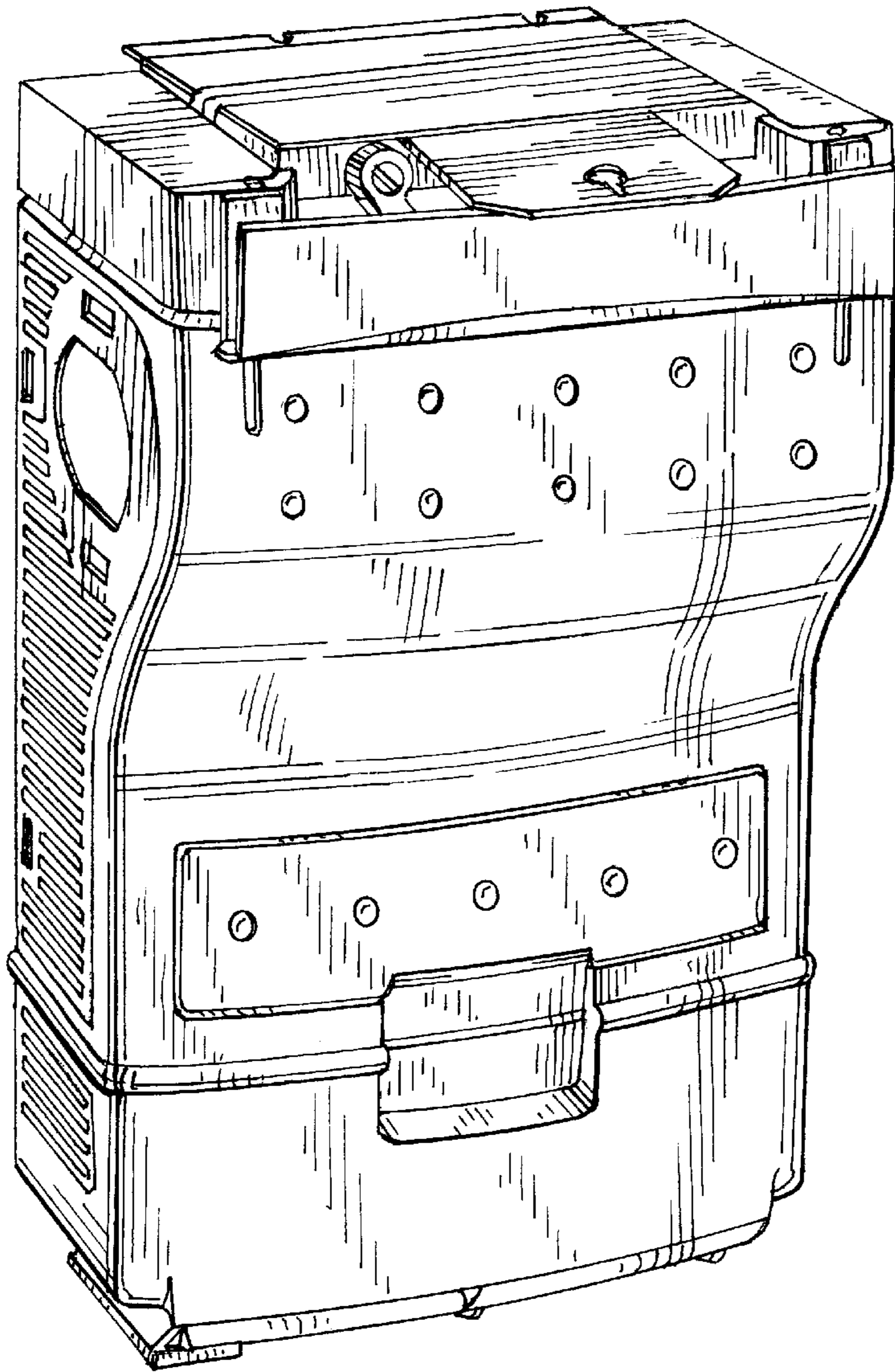


FIG. 1

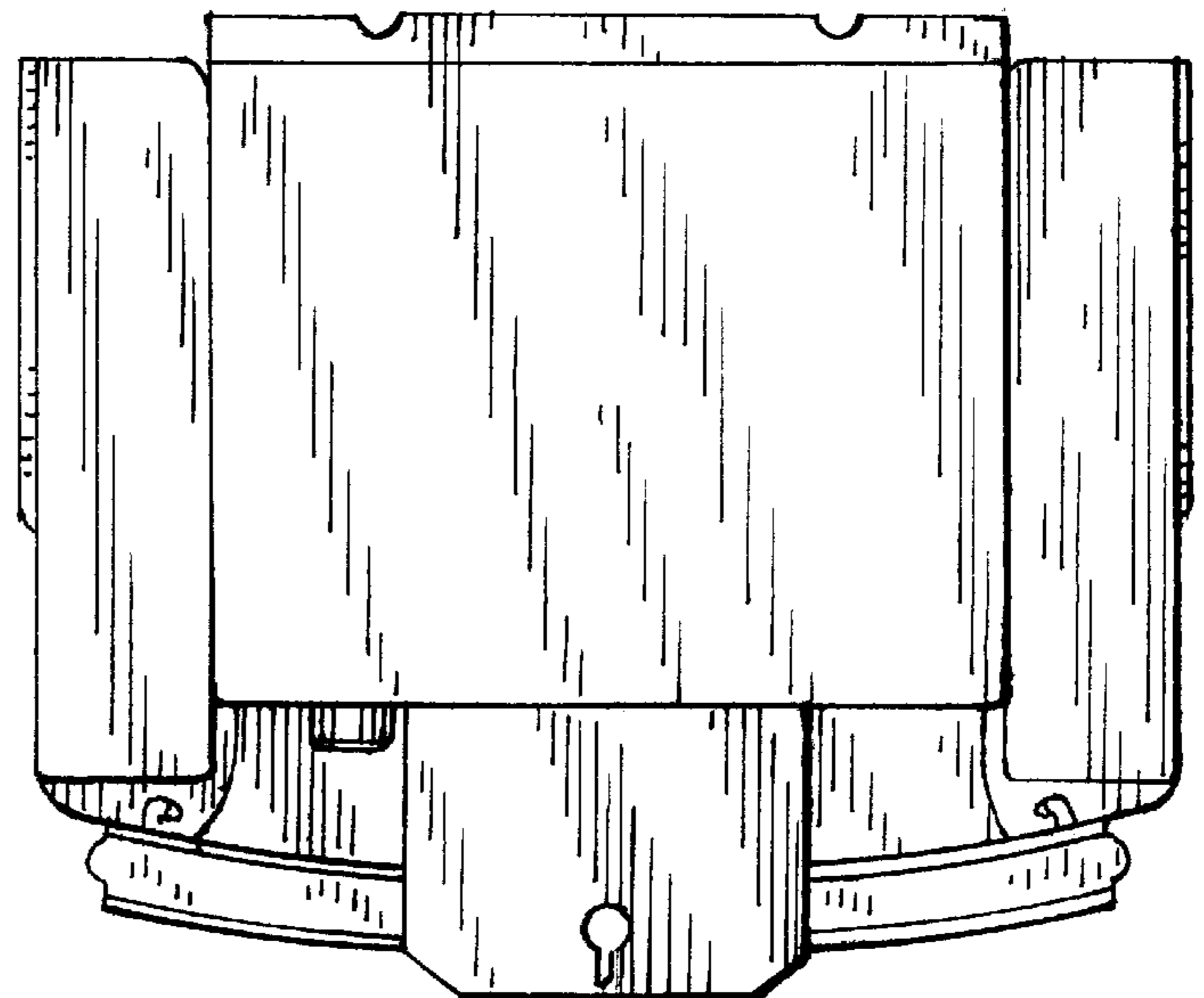


FIG. 2

FIG. 4

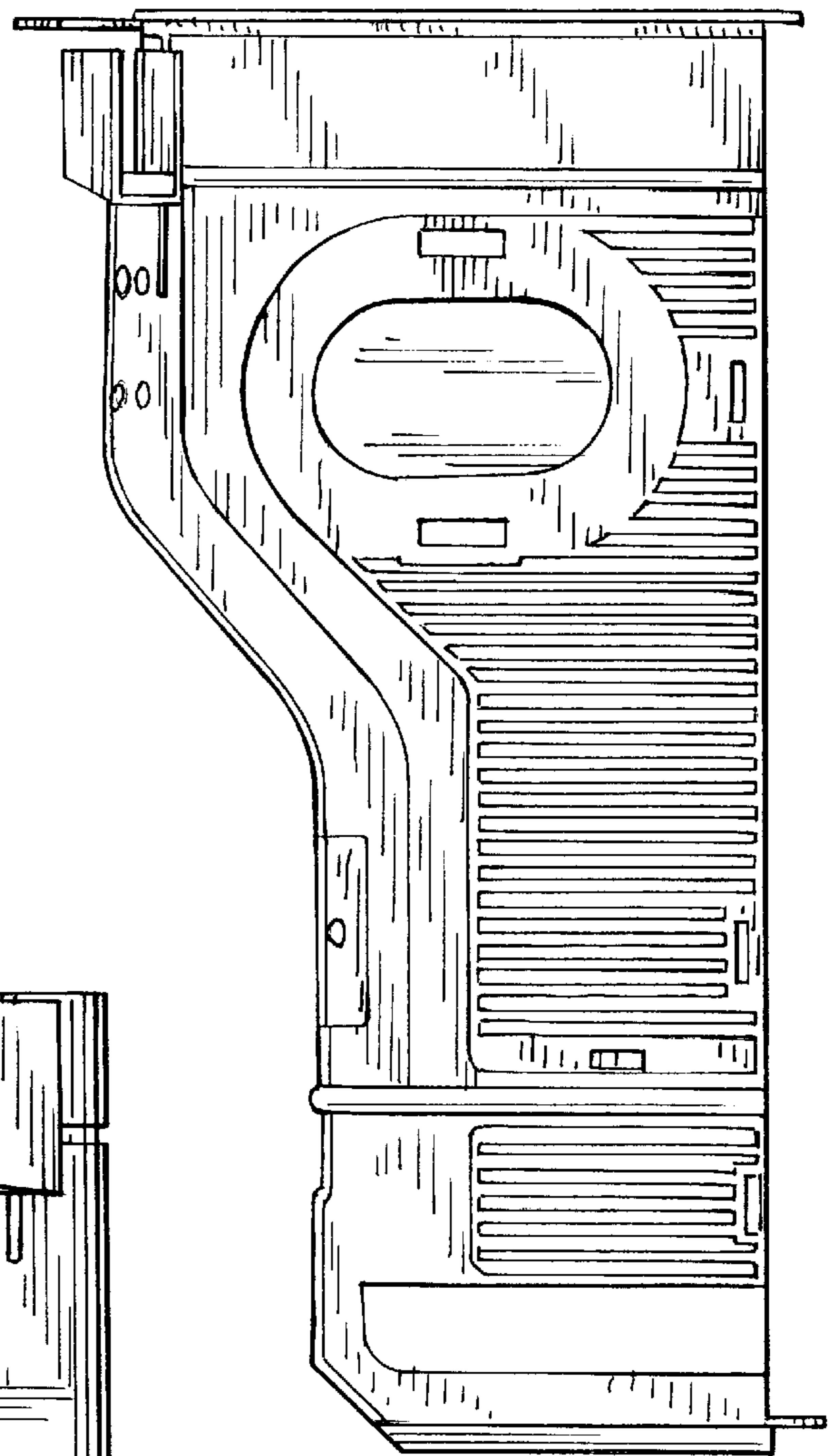
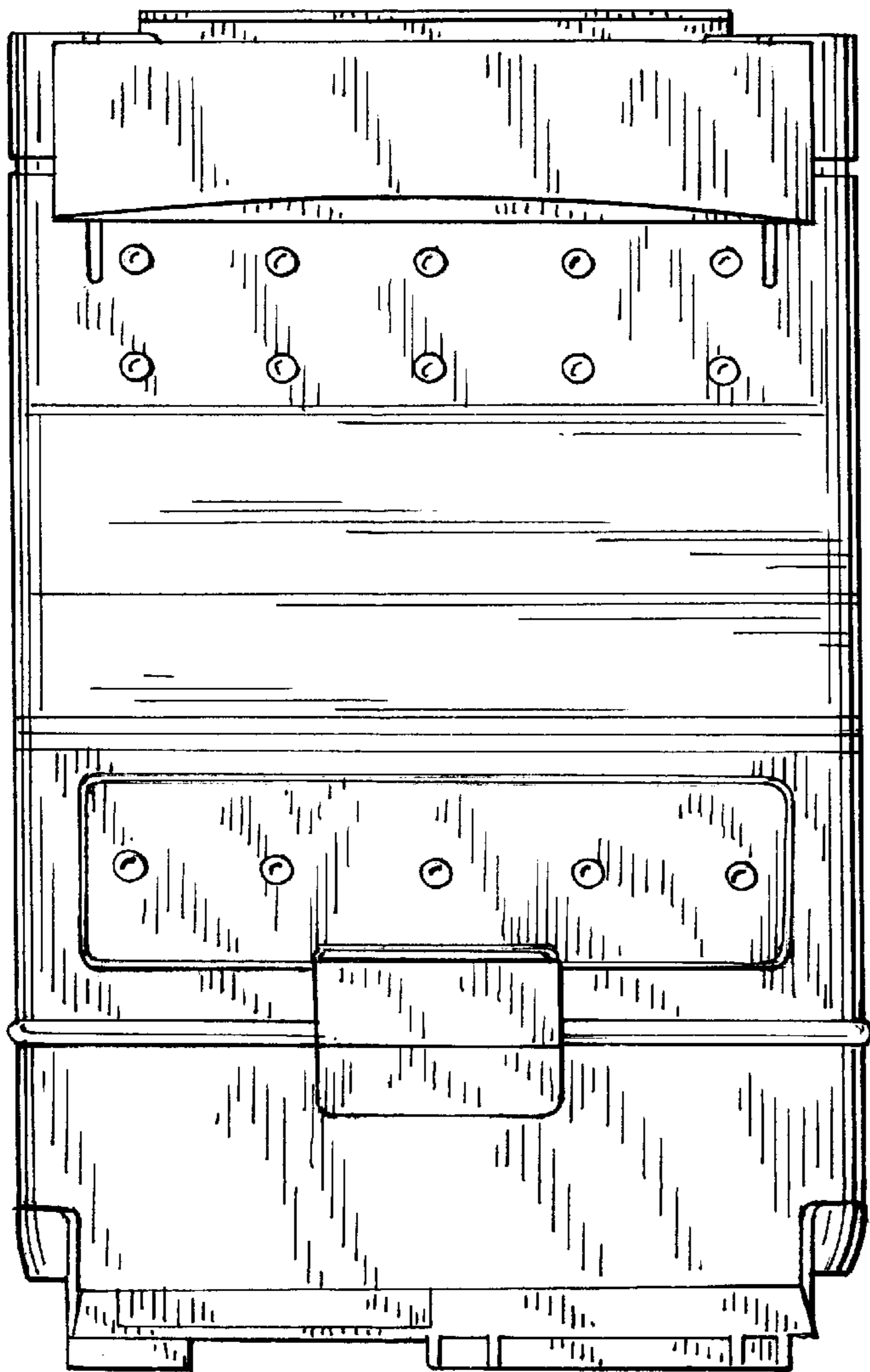


FIG. 3

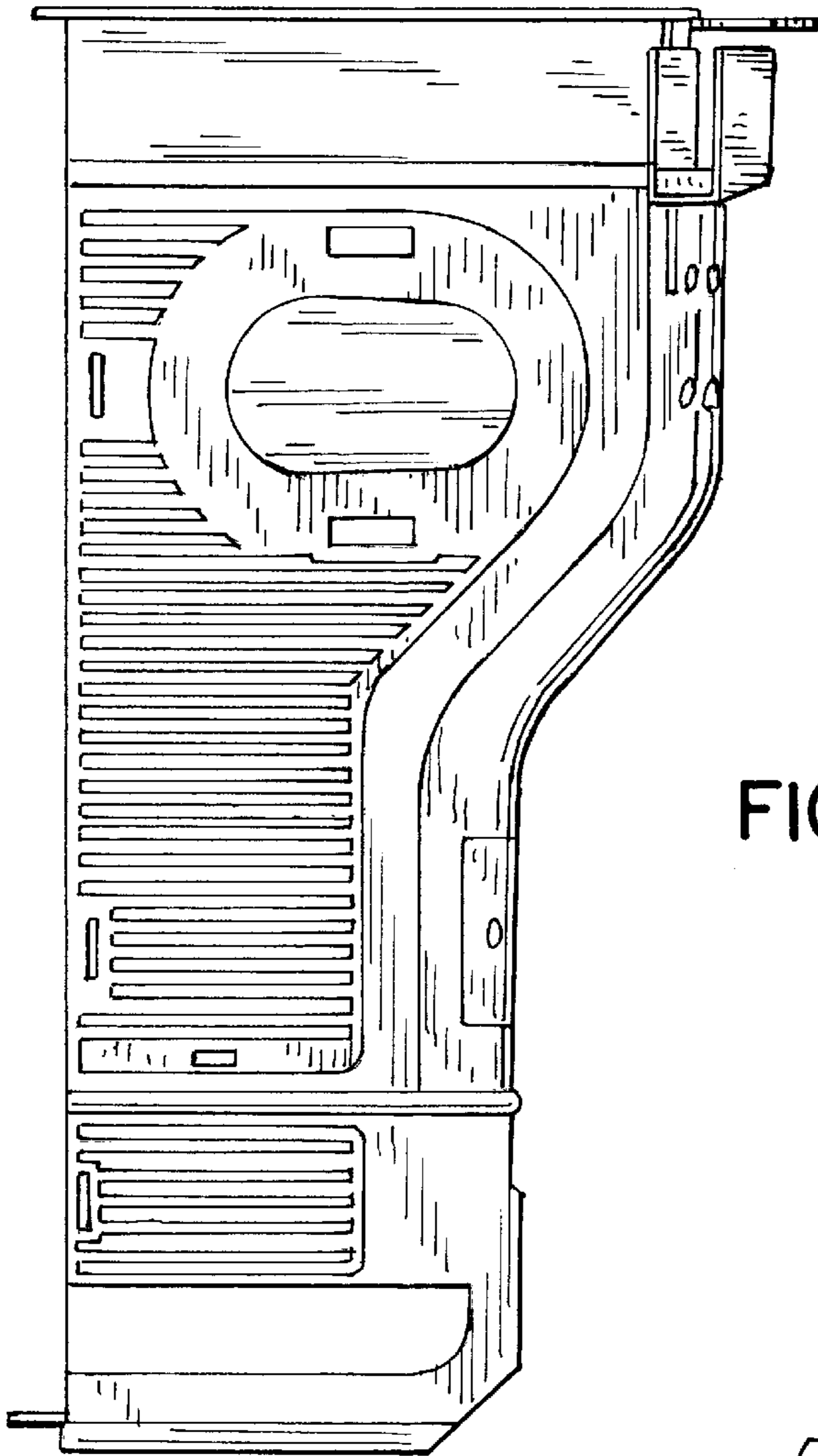


FIG. 5

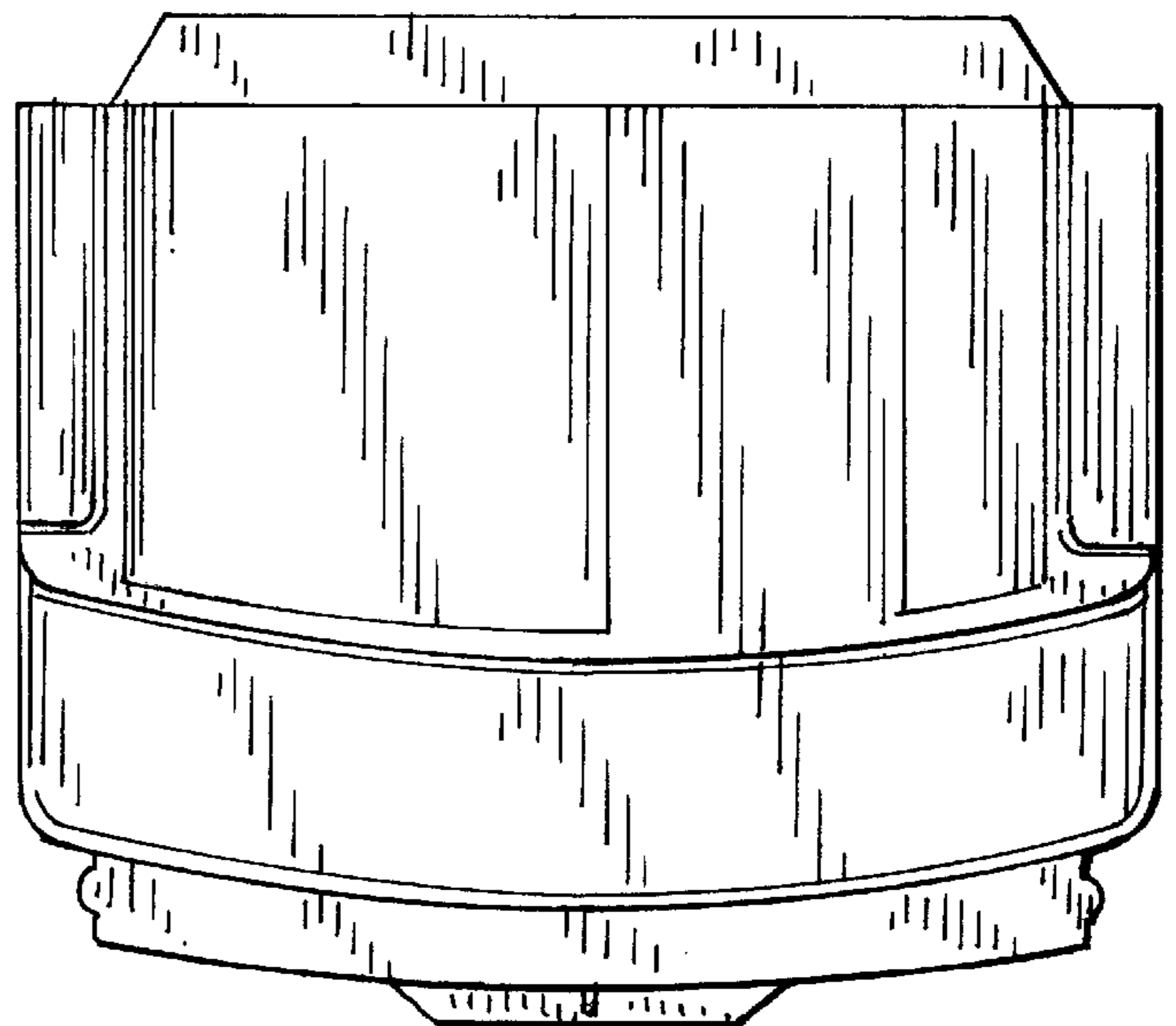


FIG. 6