



US00D399936S

# United States Patent [19]

Scherer et al.

[11] Patent Number: Des. 399,936

[45] Date of Patent: \*\*Oct. 20, 1998

[54] SELF LOCKING TOILET SEAT COVER LOCK

[75] Inventors: Craig S. Scherer, Wilmette; David C. Brown, Chicago; Robert Saul Gelick, Evanston; Michael C. Thuma, Des Plaines, all of Ill.

[73] Assignee: BRK Brands, Inc., Aurora, Ill.

[\*\*] Term: 14 Years

[21] Appl. No.: 64,865

[22] Filed: Jan. 13, 1997

### Related U.S. Application Data

[63] Continuation of Ser. No. 56,409, Jun. 28, 1996, abandoned.

[51] LOC (6) Cl. .... 23-02

[52] U.S. Cl. .... D23/303

[58] Field of Search ..... D23/303, 309, D23/312; 4/234, 236, 238, 240, 241, 661, 246.1; D8/300-308, DIG. 1-DIG. 4

### [56] References Cited

#### U.S. PATENT DOCUMENTS

- D. 309,091 7/1990 Shepard ..... D8/305
- D. 336,330 6/1993 Harshamm et al. .
- D. 372,965 8/1996 Villeneuve ..... D23/311
- 392,297 11/1888 White .
- 1,413,081 4/1922 Watson .
- 1,961,904 6/1934 Meyer .
- 2,162,480 6/1939 Forbes .
- 2,698,439 1/1955 Bruckner .
- 3,024,472 3/1962 Hardenbrook .
- 3,048,854 8/1962 Miller .
- 3,056,972 10/1962 Miller .
- 3,341,004 9/1967 Schell .

- 3,538,554 11/1970 Ford .
- 4,145,771 3/1979 Khazin .
- 4,296,504 10/1981 Lawson .
- 4,395,784 8/1983 Foster .
- 4,479,273 10/1984 Raden et al. .
- 4,502,167 3/1985 Porzelius .
- 4,524,470 6/1985 Grenell .
- 4,736,472 4/1988 Buckshaw et al. .
- 4,833,737 5/1989 Boucher et al. .
- 4,894,870 1/1990 Buckshaw et al. .
- 5,240,212 8/1993 Brodie ..... 4/661
- 5,259,096 11/1993 Grant .
- 5,369,819 12/1994 Capuano, Jr. .... 4/661
- 5,435,016 7/1995 Smith et al. .... 4/234

Primary Examiner—Louis S. Zarfaz  
Assistant Examiner—Eric Watterson  
Attorney, Agent, or Firm—Rockey, Milnamow & Katz, Ltd.

### [57] CLAIM

The ornamental design for a self-locking toilet seat cover lock.

### DESCRIPTION

FIG. 1 is a top perspective view of the self-locking toilet seat cover lock, showing my new design;

FIG. 2 is a side view of the of the self-locking toilet seat cover lock of FIG. 1, the opposite side view being a mirror image thereof;

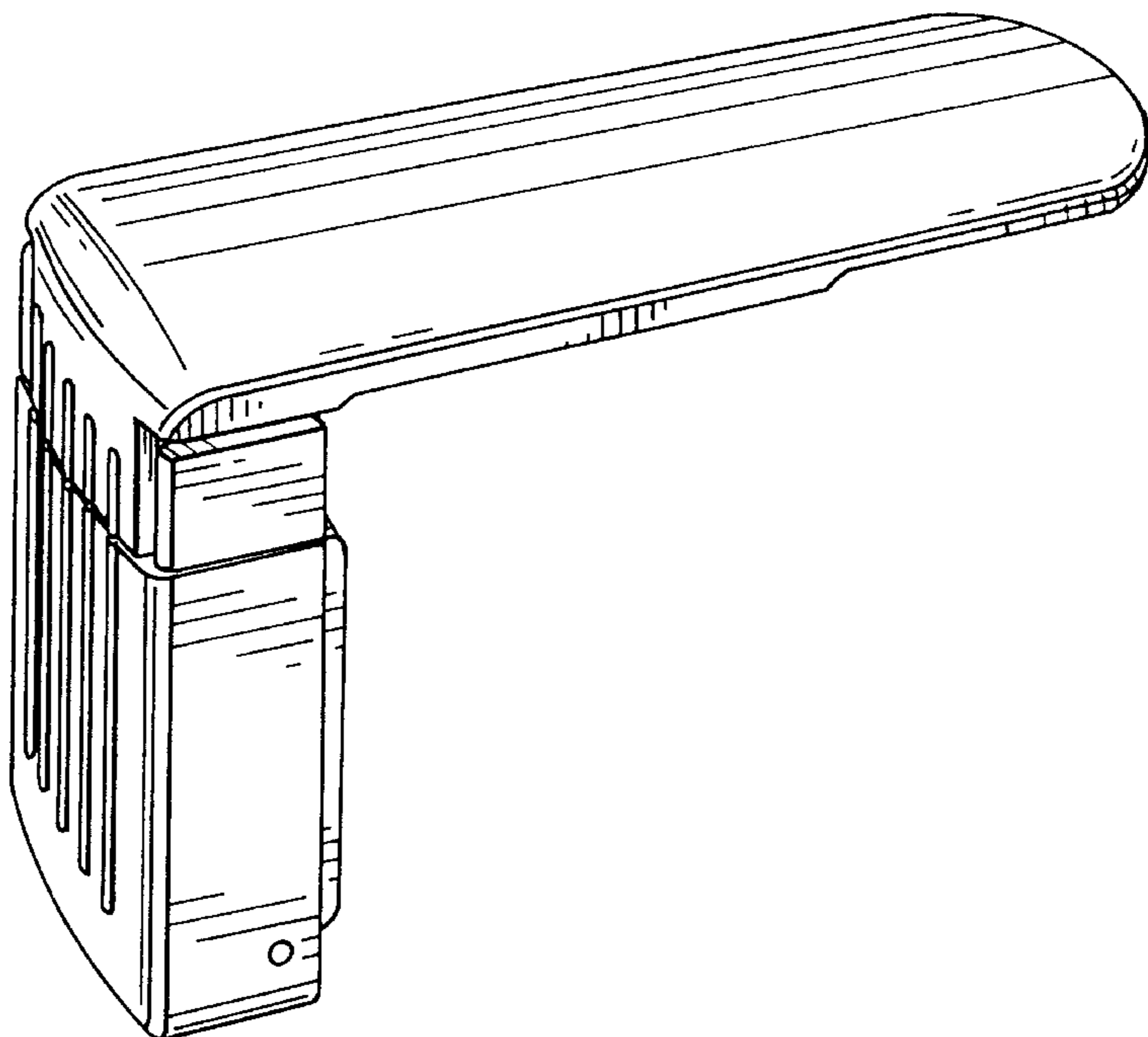
FIG. 3 is a top view of the self-locking toilet seat cover lock of FIG. 1;

FIG. 4 is a bottom view of the self-locking toilet seat cover lock of FIG. 1;

FIG. 5 is a rear view of the self-locking toilet seat cover lock of FIG. 1; and,

FIG. 6 is a front view of the self-locking toilet seat cover lock of FIG. 1.

1 Claim, 3 Drawing Sheets



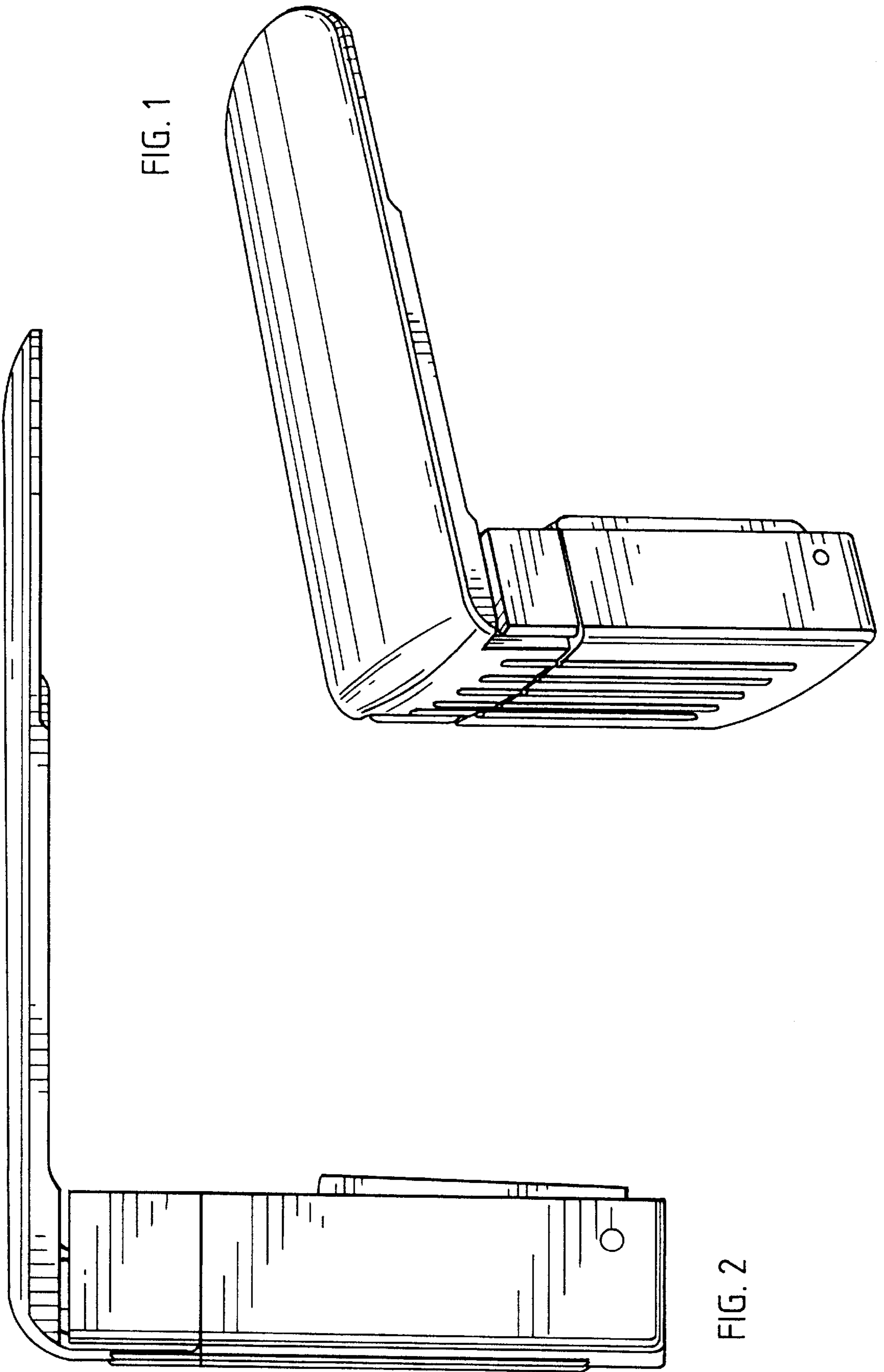


FIG. 1

FIG. 2

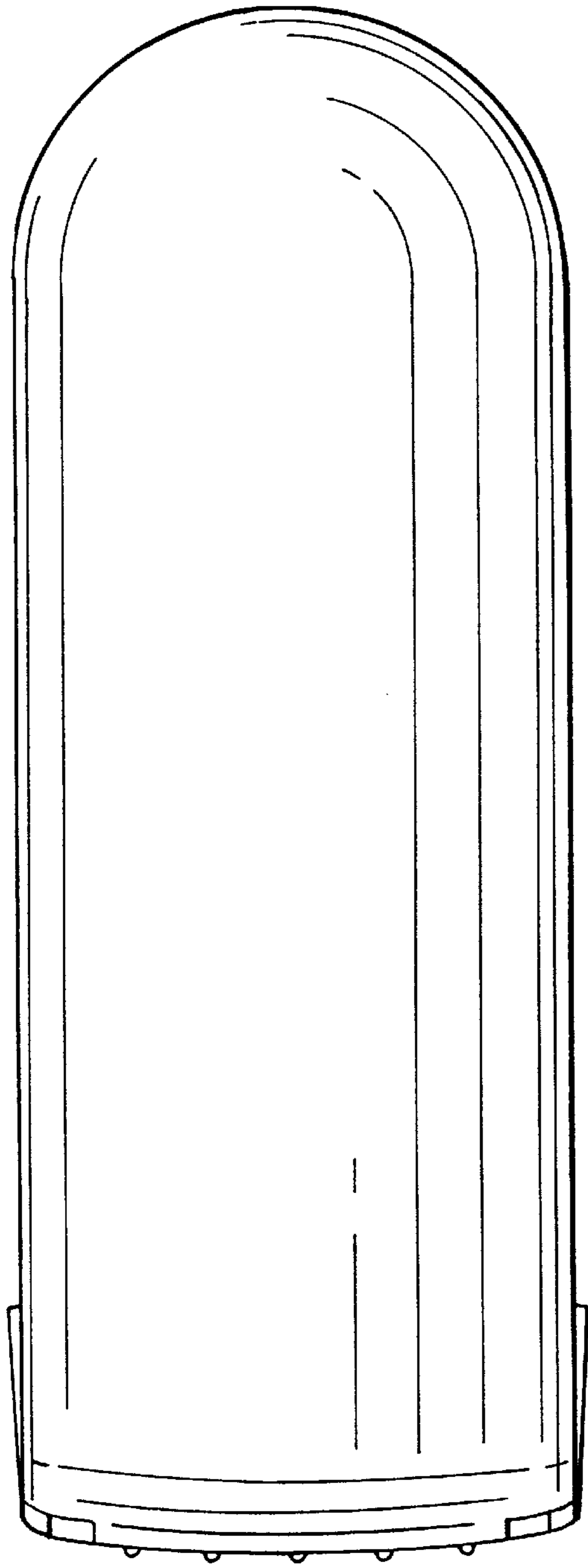


FIG. 3

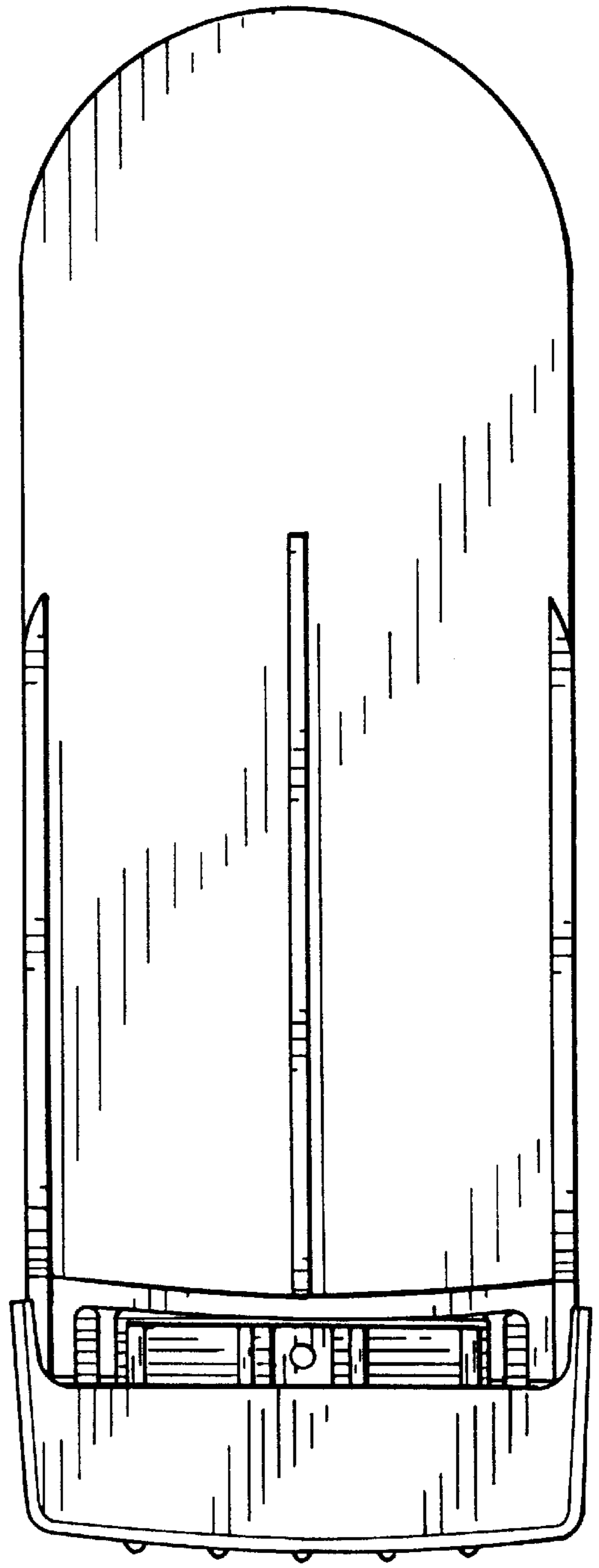


FIG. 4

FIG. 5

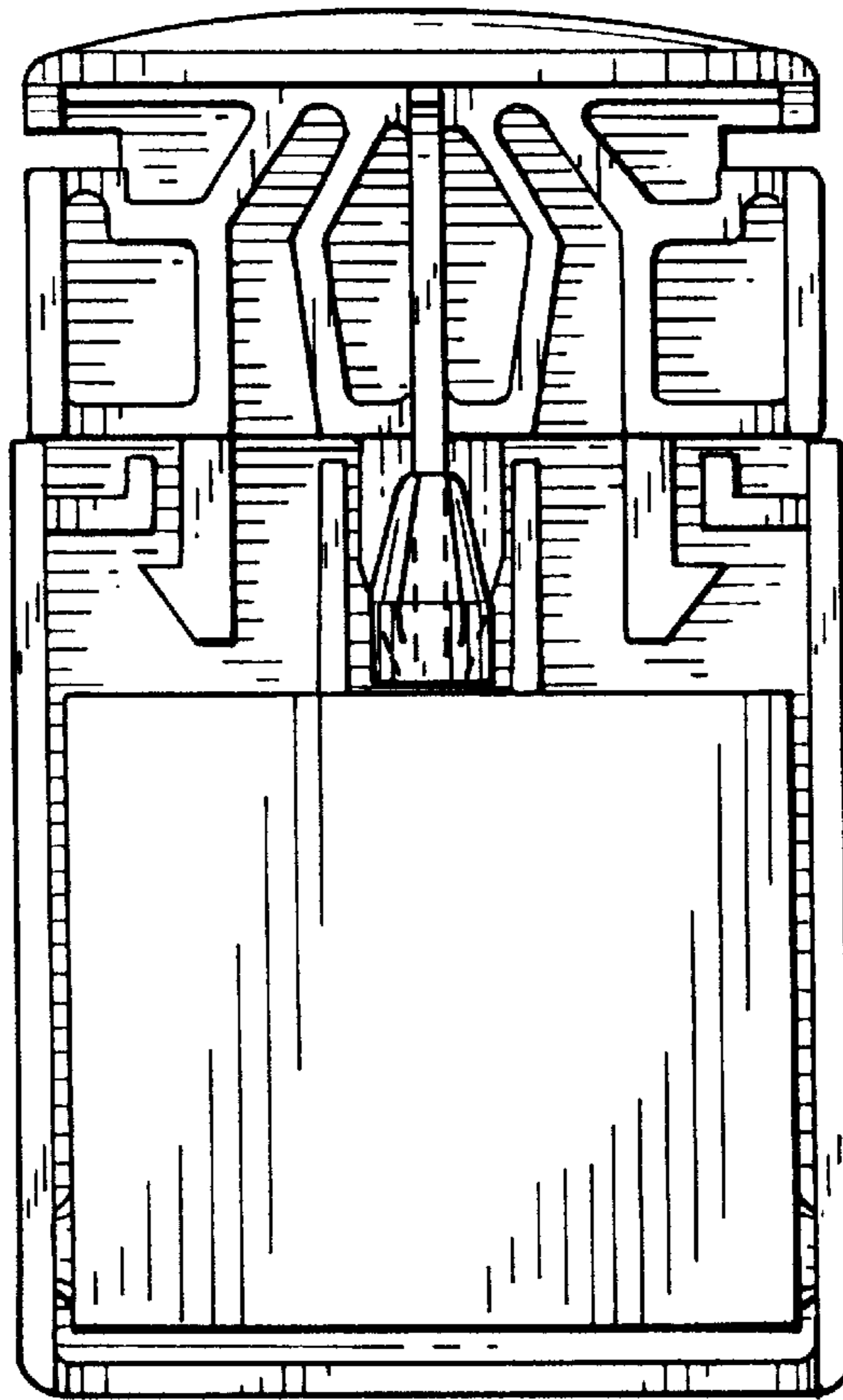


FIG. 6

