



US00D399934S

# United States Patent [19]

Westcott et al.

[11] **Patent Number: Des. 399,934**

[45] **Date of Patent: \*\*Oct. 20, 1998**

[54] **CONICAL WASH BASIN**

[76] Inventors: **Robert John Westcott**, Otter lake group box RR#2, Parry Sound Ontario, Canada, P2A 2W8; **Michael Alan Niven**, 676 Richmond street West unit 104, Toronto Ontario, Canada, M6A 1C8

[\*\*] Term: **14 Years**

[21] Appl. No.: **80,102**

[22] Filed: **Dec. 1, 1997**

[51] **LOC (6) Cl. .... 23-02**

[52] **U.S. Cl. .... D23/284; D23/286**

[58] **Field of Search .... D23/284-293.1; 4/619, 624, 625, 626, 638-650**

[56] **References Cited**

**U.S. PATENT DOCUMENTS**

D. 288,351 2/1987 Saito ..... D23/285

D. 328,338 7/1992 Rosont ..... D23/284  
D. 380,040 6/1997 Kowler, Jr. et al. .... D23/284 X  
D. 384,404 9/1997 Kerport ..... D23/284  
D. 386,566 11/1997 Zankow ..... D23/284 X

*Primary Examiner*—Louis S. Zarfaz  
*Assistant Examiner*—Eric Watterson  
*Attorney, Agent, or Firm*—K. Maxwell Hill

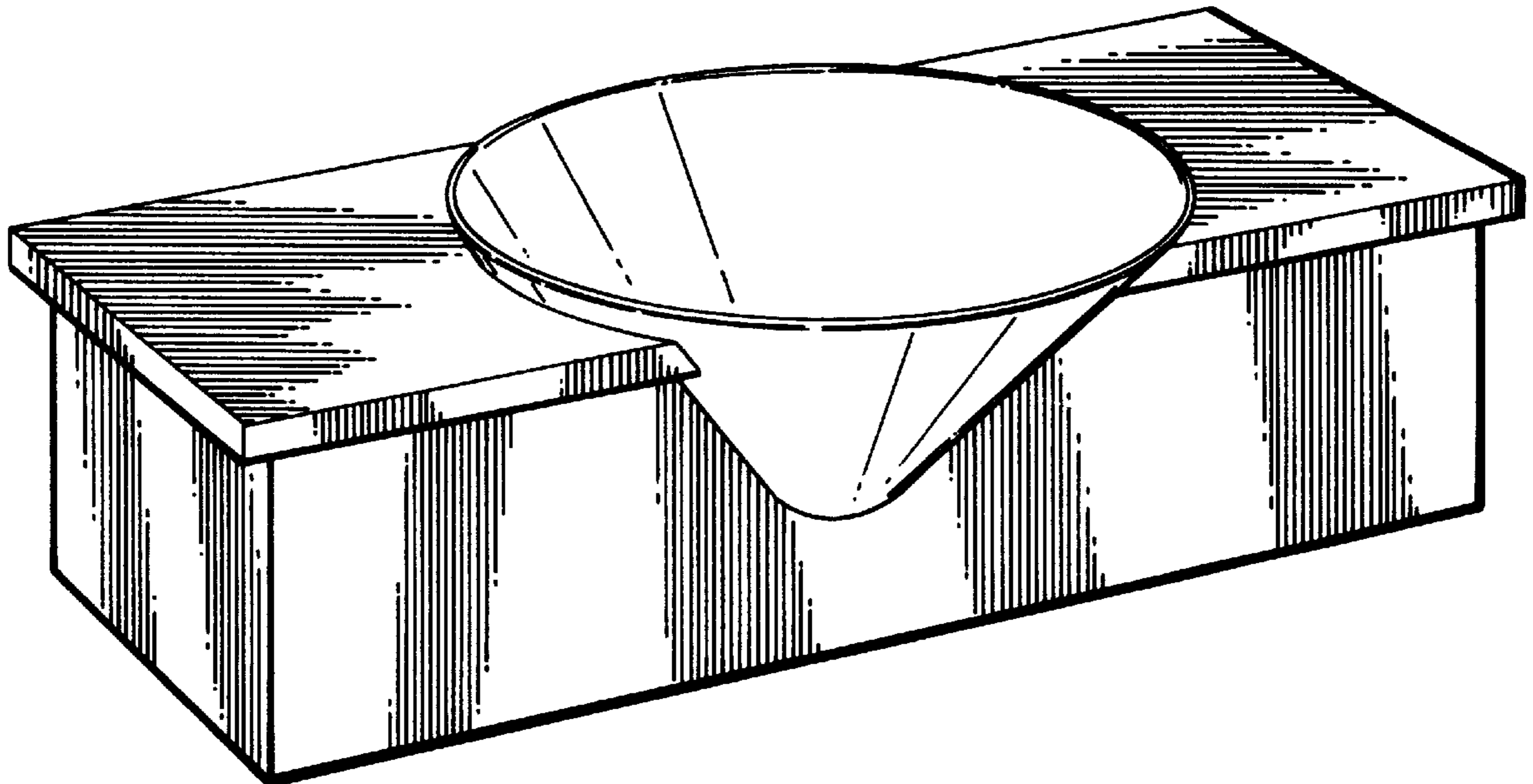
[57] **CLAIM**

The ornamental design for a conical wash basin, as shown.

**DESCRIPTION**

FIG. 1 is a top side perspective view of a conical wash basin, showing my new design;  
FIG. 2 is a top plan view thereof;  
FIG. 3 is a front elevational view thereof;  
FIG. 4 is a left side elevational view thereof; and,  
FIG. 5 is a right side elevational view thereof.  
The rear view being plain and unornamented.

**1 Claim, 2 Drawing Sheets**



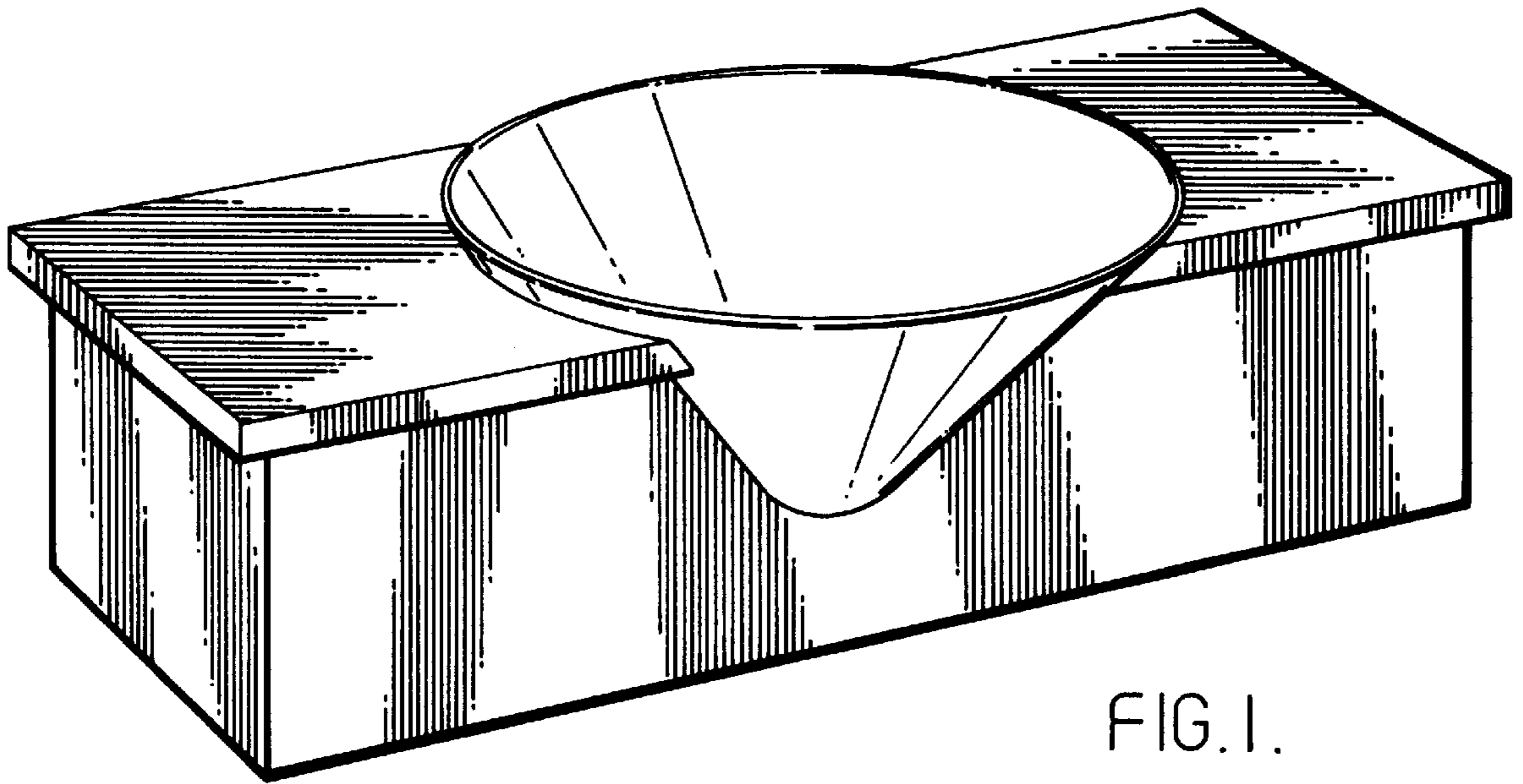
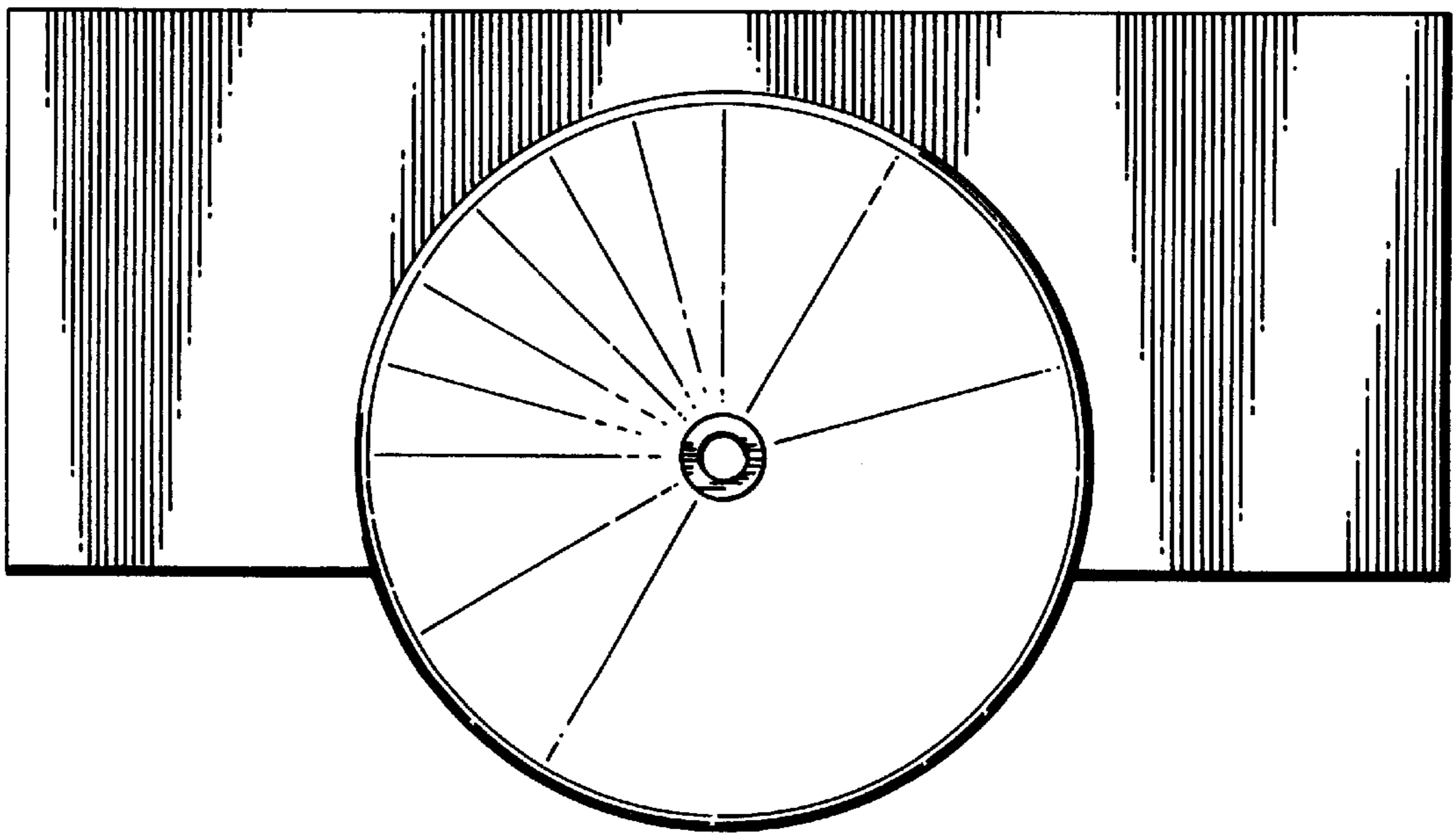


FIG. 1.

FIG. 2.



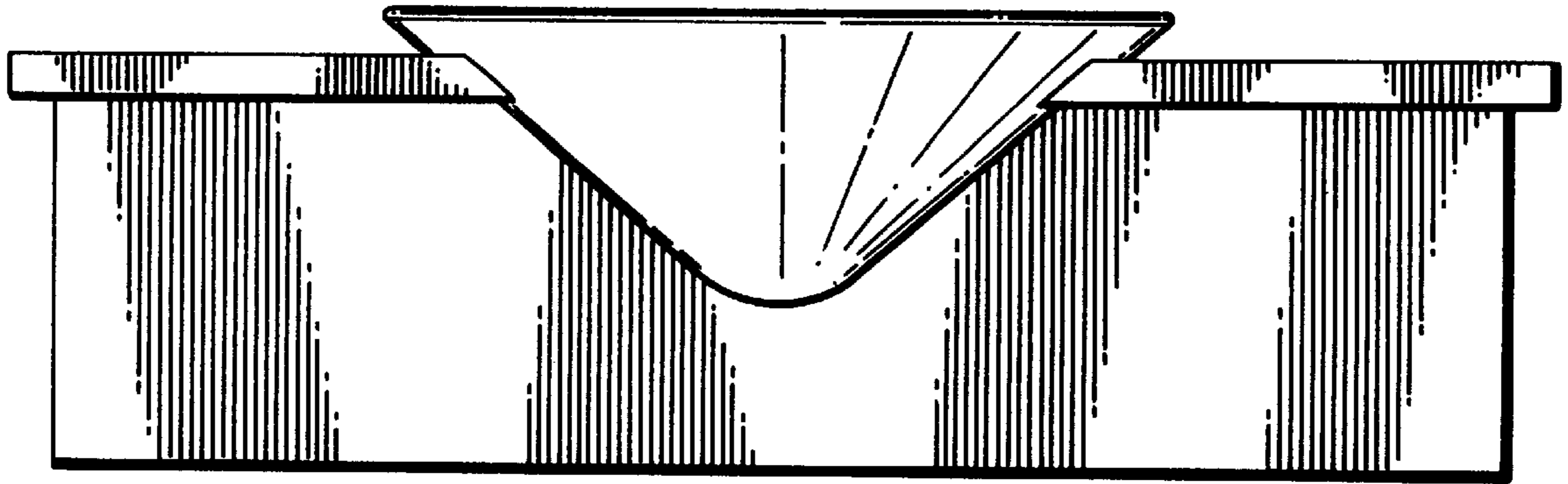


FIG. 3.

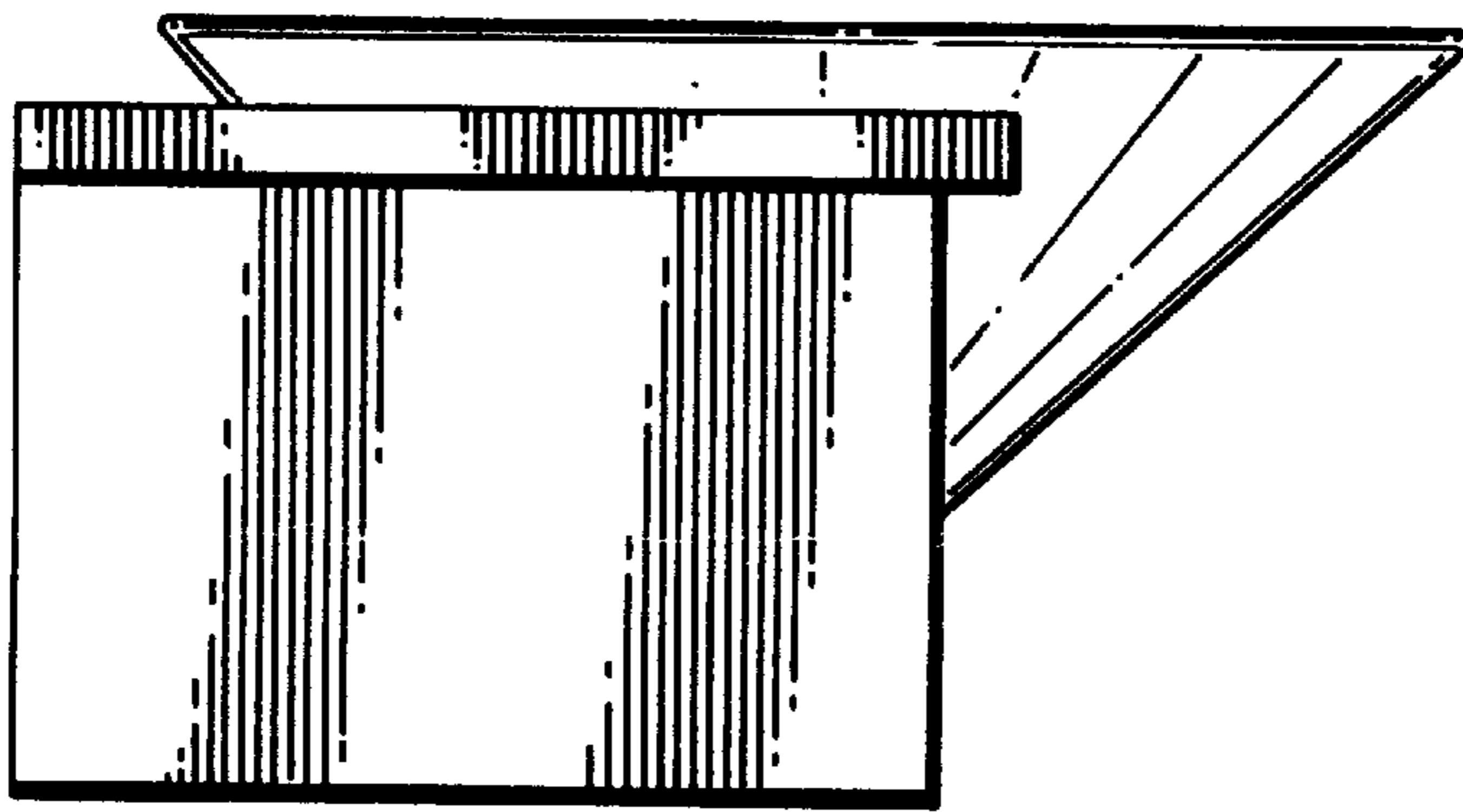


FIG. 4.

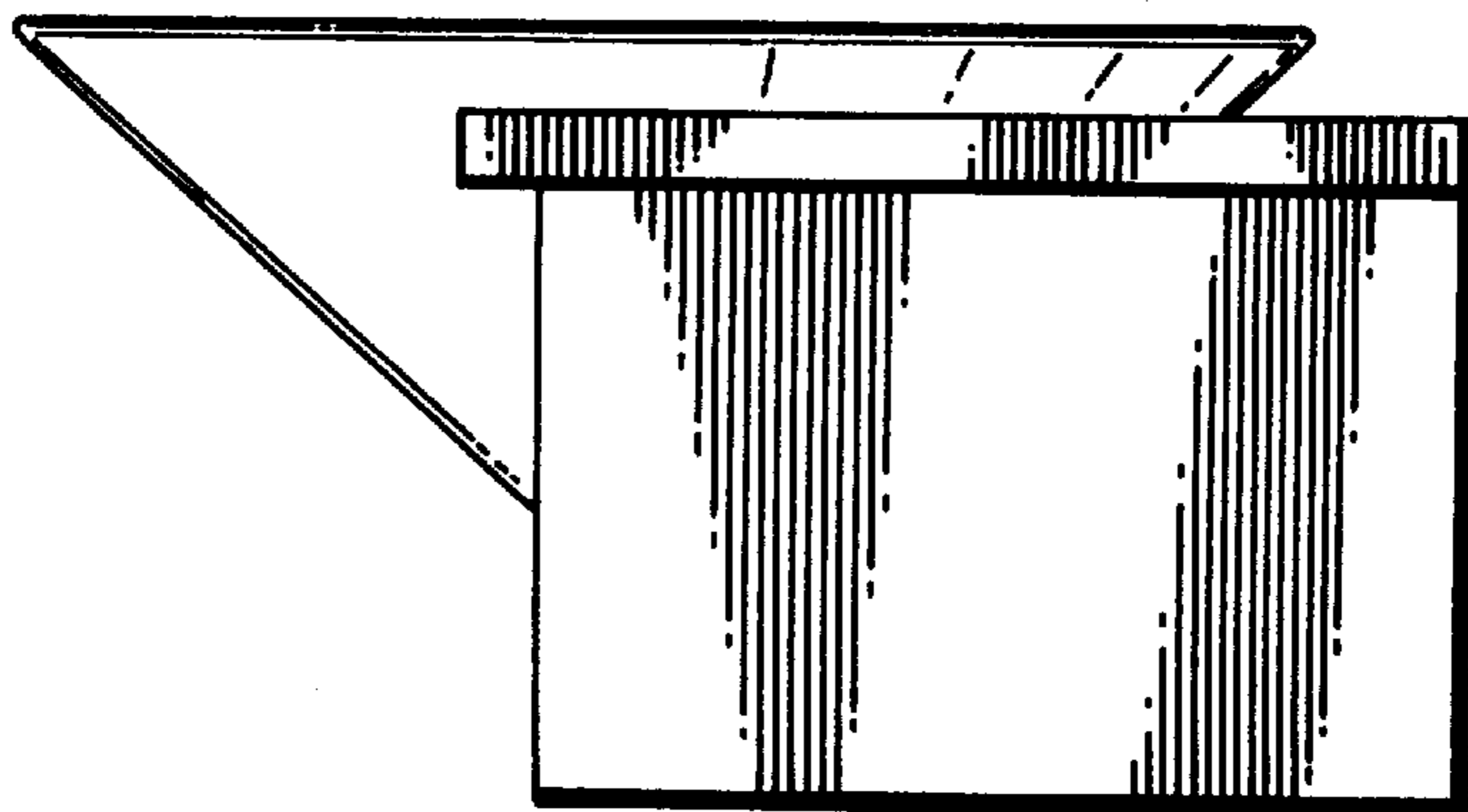


FIG. 5.