



US00D399933S

United States Patent [19]

Thomas

[11] Patent Number: Des. 399,933

[45] Date of Patent: **Oct. 20, 1998

[54] LAVATORY

[75] Inventor: **Carter J. Thomas**, Port Washington, Wis.

[73] Assignee: **Kohler Co.**, Kohler, Wis.

[**] Term: **14 Years**

[21] Appl. No.: **79,360**

[22] Filed: **Nov. 13, 1997**

[51] LOC (6) Cl. **23-01**

[52] U.S. Cl. **D23/284**

[58] Field of Search D23/284-293.1;
4/619, 624, 625, 626, 638-650

[56] References Cited

U.S. PATENT DOCUMENTS

D. 198,016	4/1964	Kaiser	D23/284
D. 201,493	6/1965	Sundberg	D23/284
D. 262,485	12/1981	Wissinger	D23/284 X
D. 322,473	12/1991	Reid	D23/284
D. 380,040	6/1997	Kowler, Jr. et al.	D23/293.1

OTHER PUBLICATIONS

Undated American Standard catalog ad showing "Roma" pedestal lavatory, admitted prior art.

January 1996 Kohler catalog ad, p. 148, showing "Cabernet" lavatory.

1997 Hocheng catalog ad showing pedestal lavatories.

Undated American Standard catalog ad showing "Lexington" countertop lavatory, admitted prior art.

1987 Jacob Delafon catalog ad showing "Antares" pedestal lavatory.

Primary Examiner—Louis S. Zarfes

Assistant Examiner—Eric Watterson

Attorney, Agent, or Firm—Quarles & Brady

[57] CLAIM

The ornamental design for a lavatory, as shown and described.

DESCRIPTION

FIG. 1 is a right, top, front perspective view of a wall-mountable lavatory embodying my new design;

FIG. 2 is a top plan view thereof;

FIG. 3 is a front elevational view thereof;

FIG. 4 is a right side elevational view thereof, the left side elevational view being a mirror image of the right side shown;

FIG. 5 is a rear elevational view thereof;

FIG. 6 is a bottom plan view thereof;

FIG. 7 is a cross-sectional view taken along line 7—7 of FIG. 2;

FIG. 8 is a cross-sectional view taken along line 8—8 of FIG. 2;

FIG. 9 is a right, top, front perspective view of a second embodiment in the form of a pedestal lavatory, the top plan view thereof being identical to that shown in FIG. 2;

FIG. 10 is a front elevational view thereof;

FIG. 11 is a right side elevational view thereof, the left side elevational view being a mirror image of the right side shown;

FIG. 12 is a rear elevational view thereof;

FIG. 13 is a bottom plan view thereof;

FIG. 14 is a cross-sectional view taken along line 14—14 of FIG. 13;

FIG. 15 is a cross-sectional view taken along line 15—15 of FIG. 13.

The broken line representations of holes in FIGS. 1, 2, 4, 6, 8, 9, and 13, of bathroom walls in FIGS. 1 and 9, and of a mounting structure in FIGS. 4, 5, 6, 7, and 8, are for purposes of illustration only, and form no part of the claimed design.

1 Claim, 10 Drawing Sheets

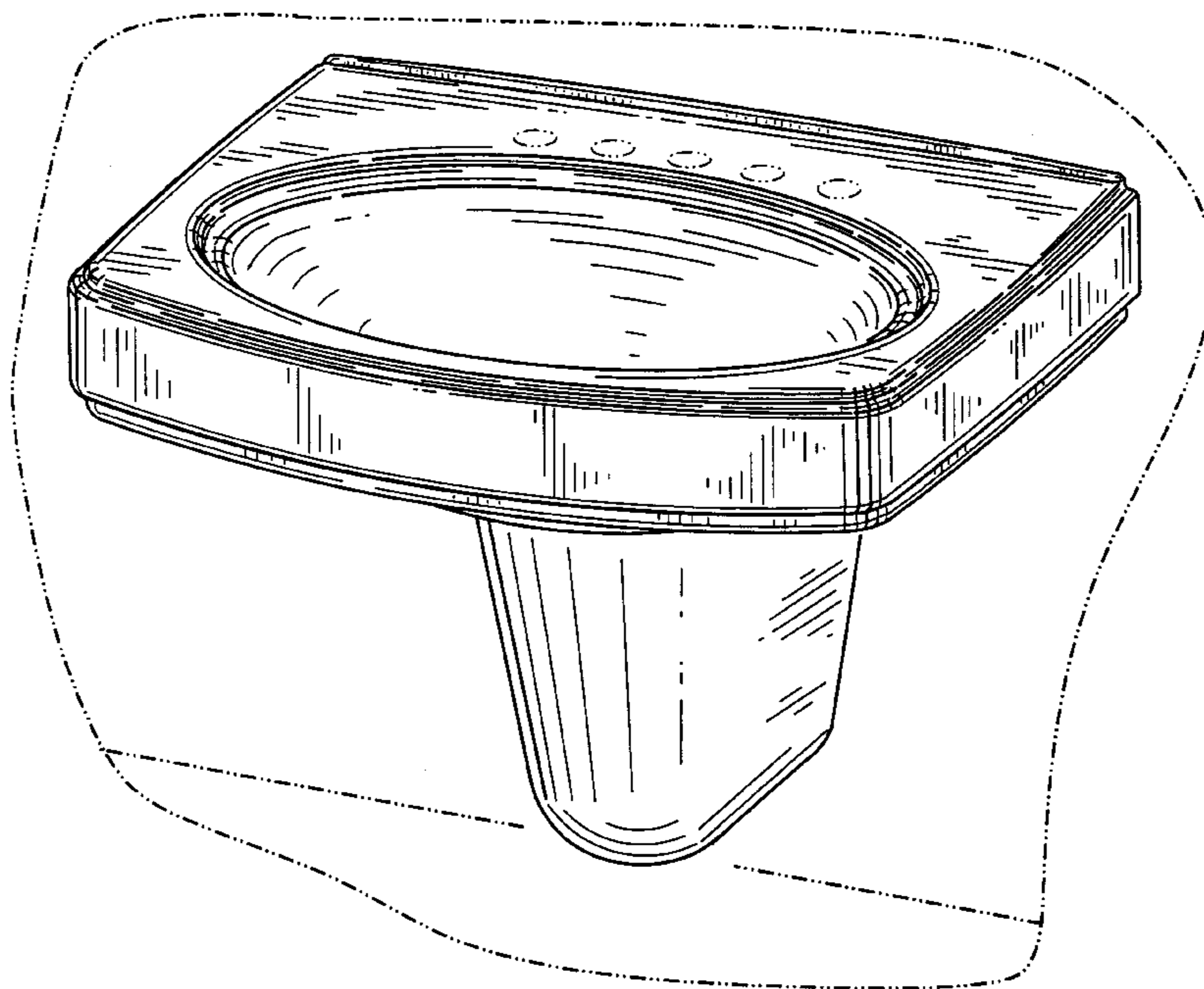


FIG. 1

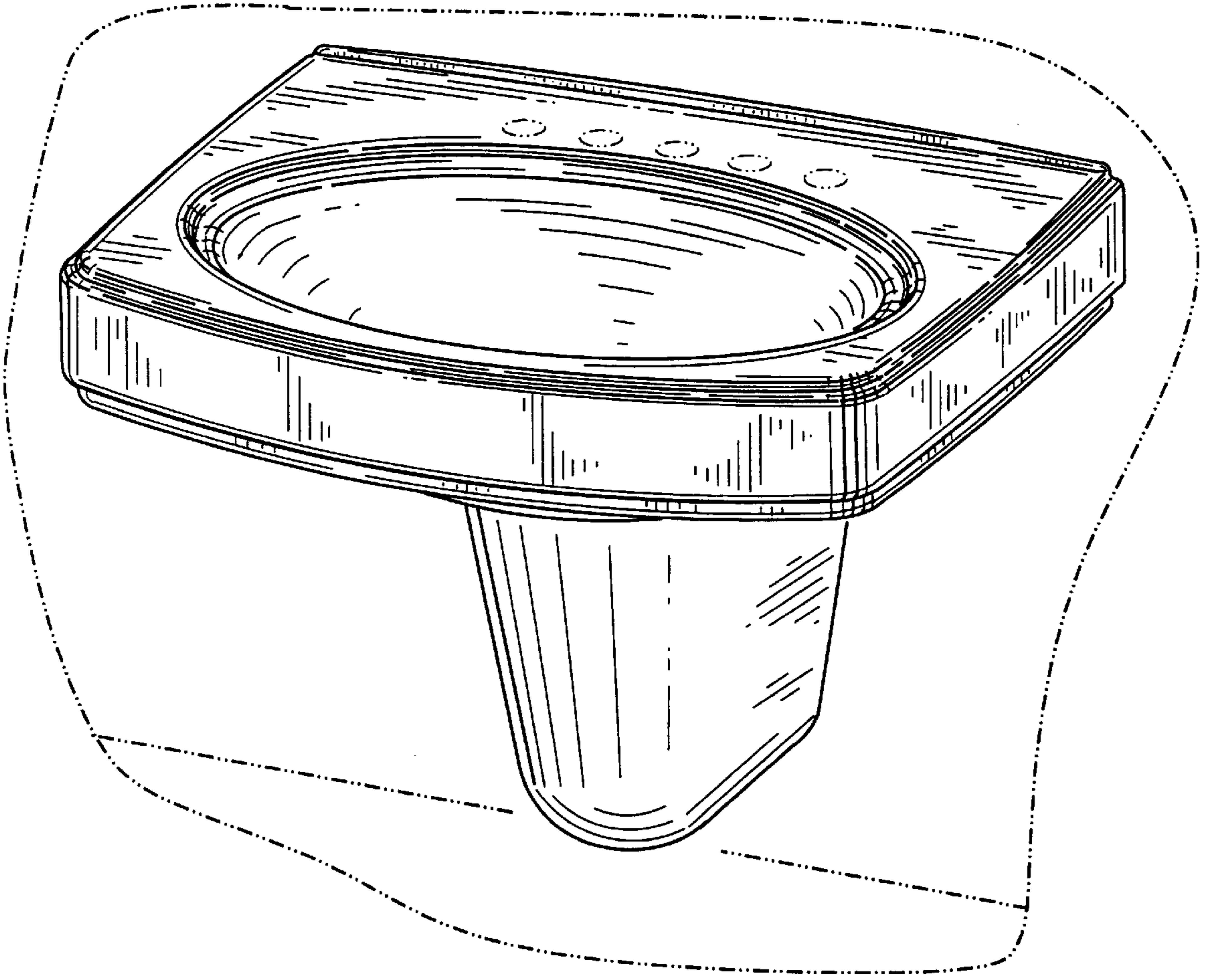


FIG. 2

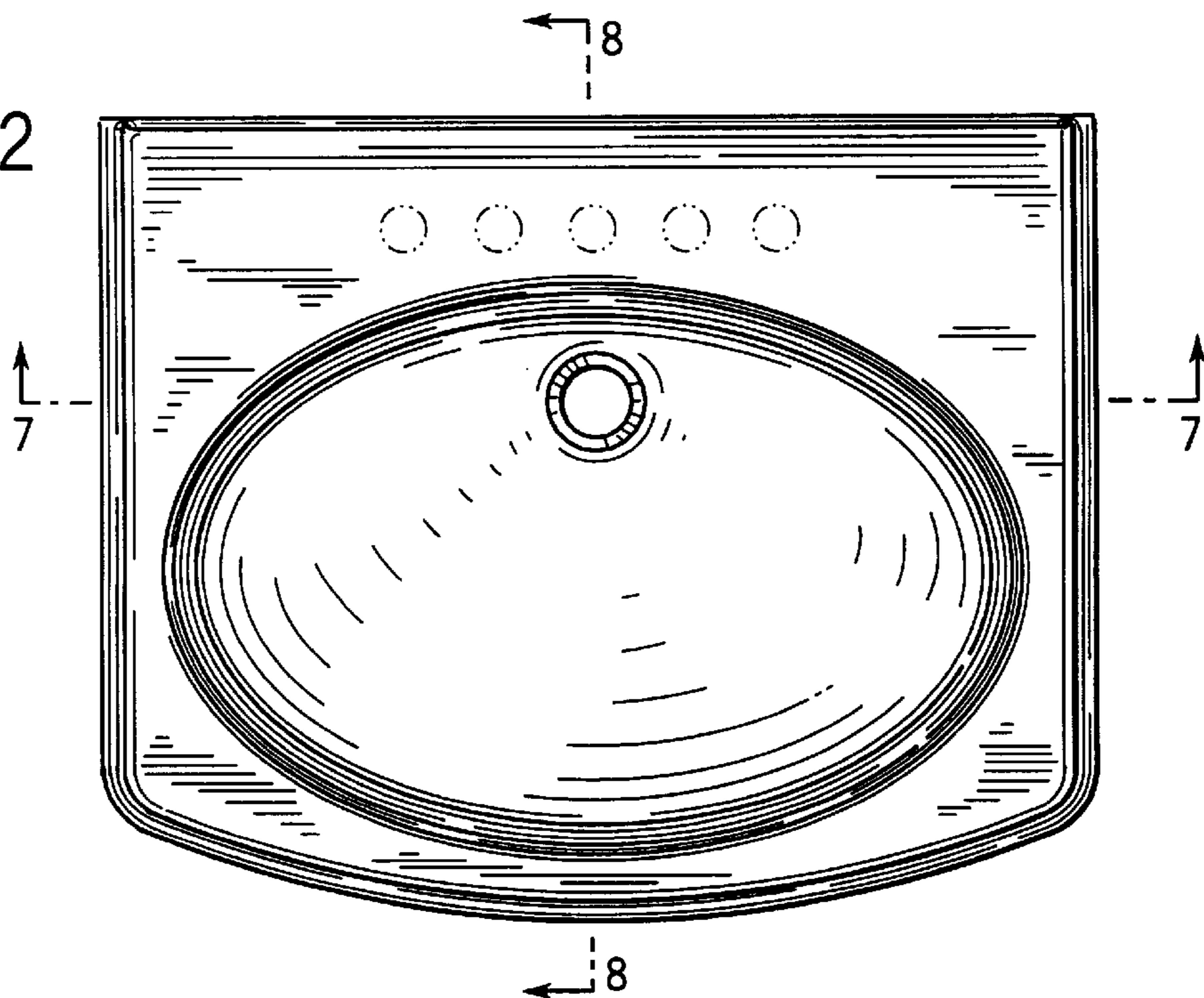


FIG. 3

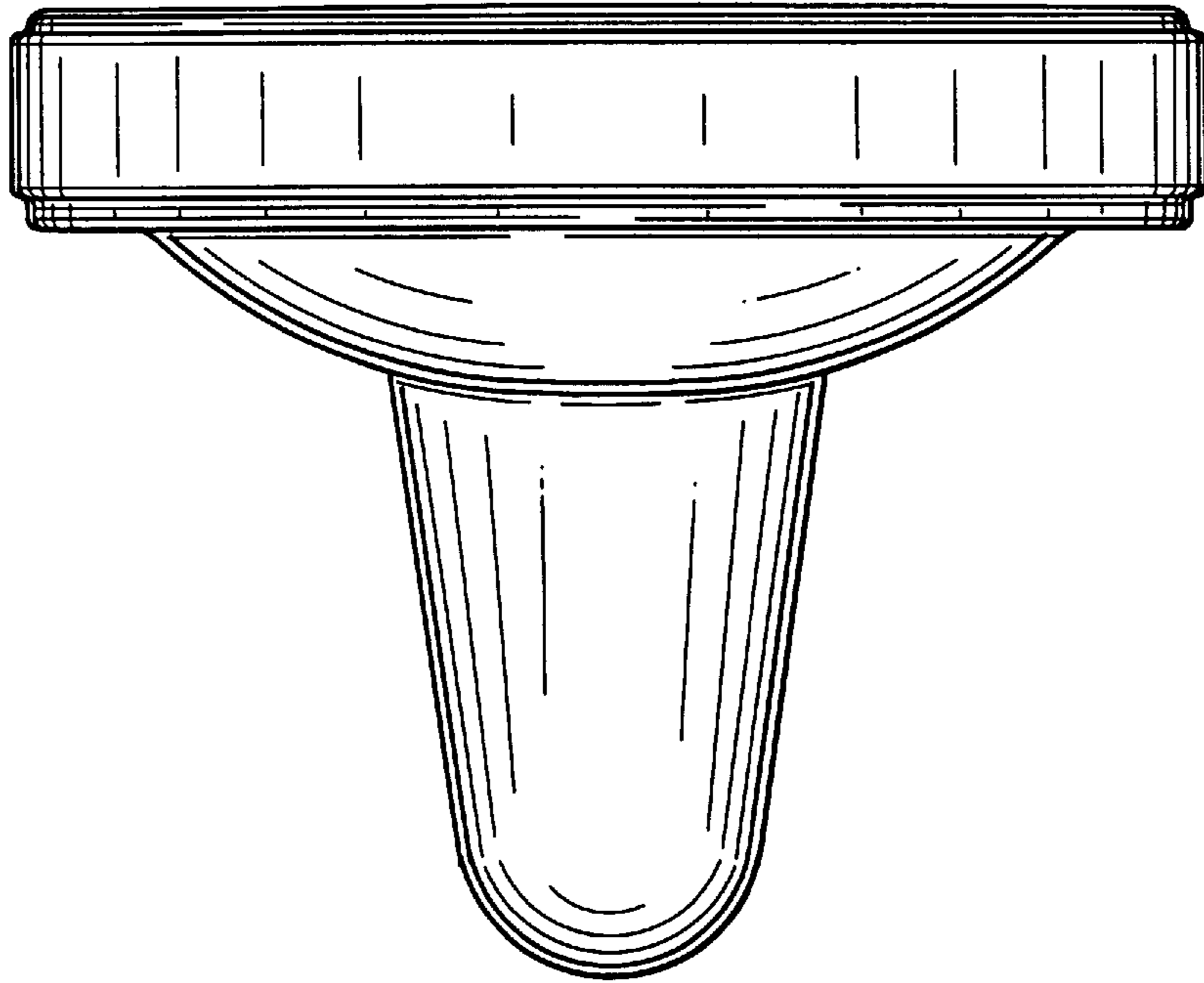


FIG. 4

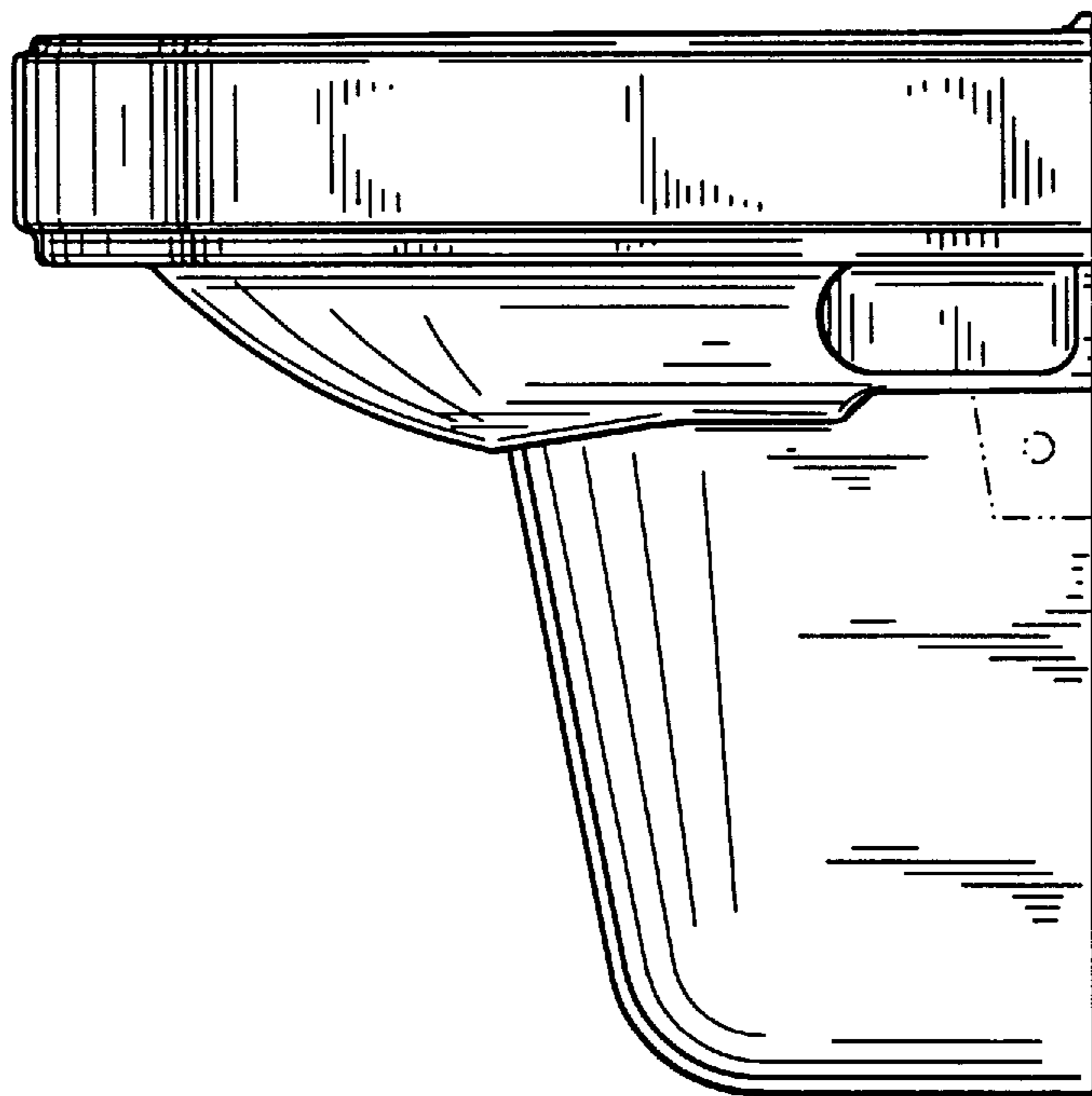


FIG. 5

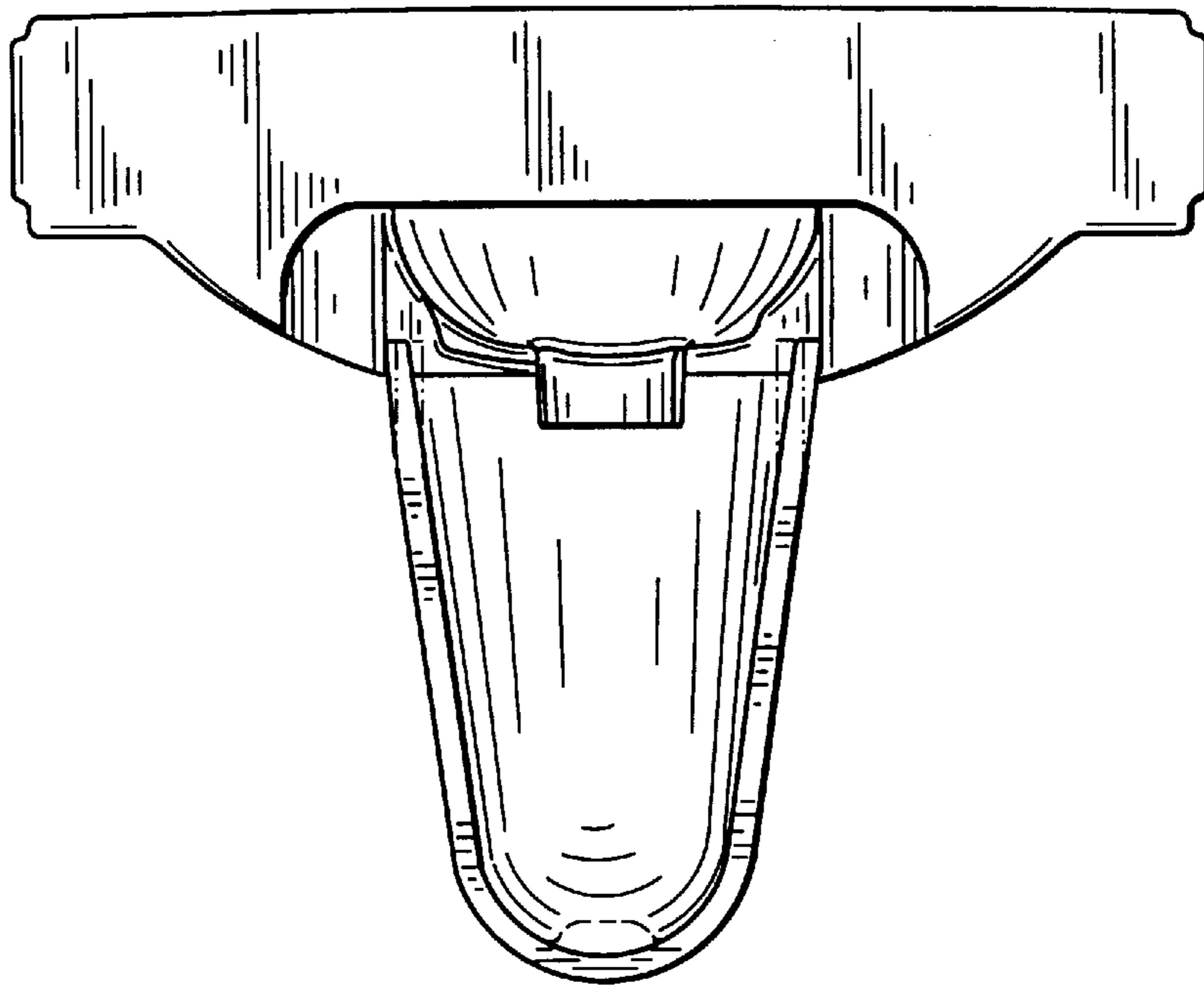


FIG. 6

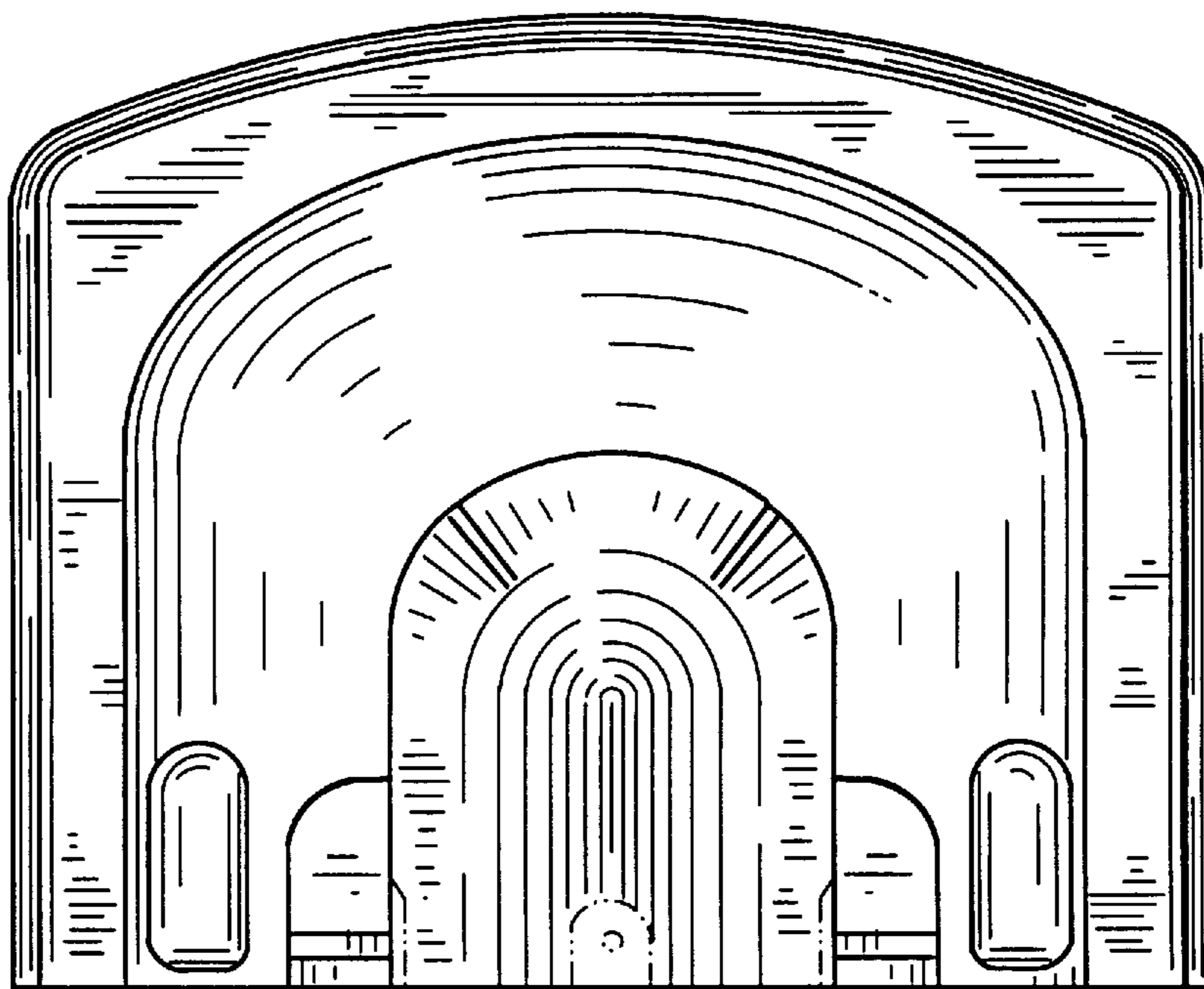


FIG. 7

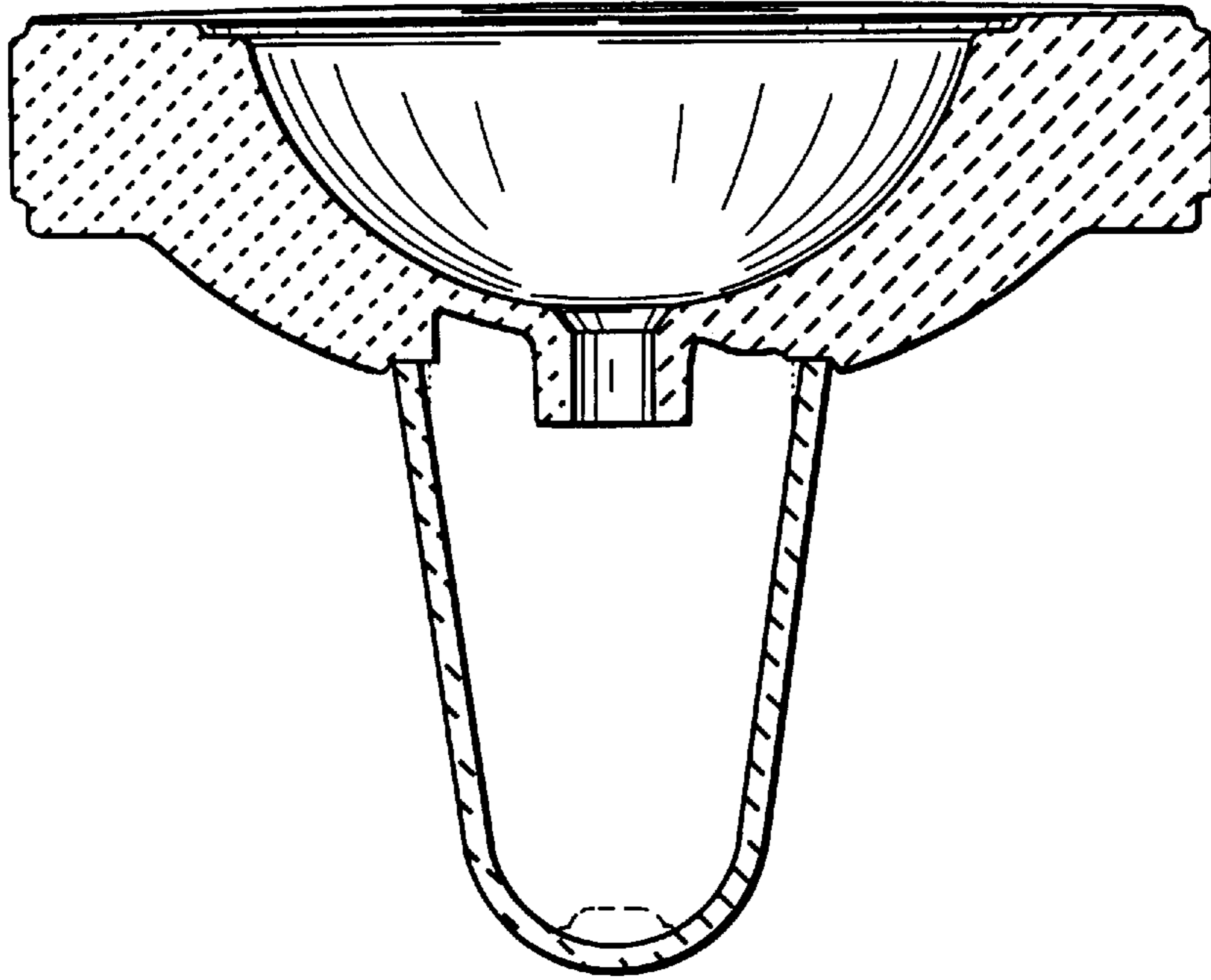


FIG. 8

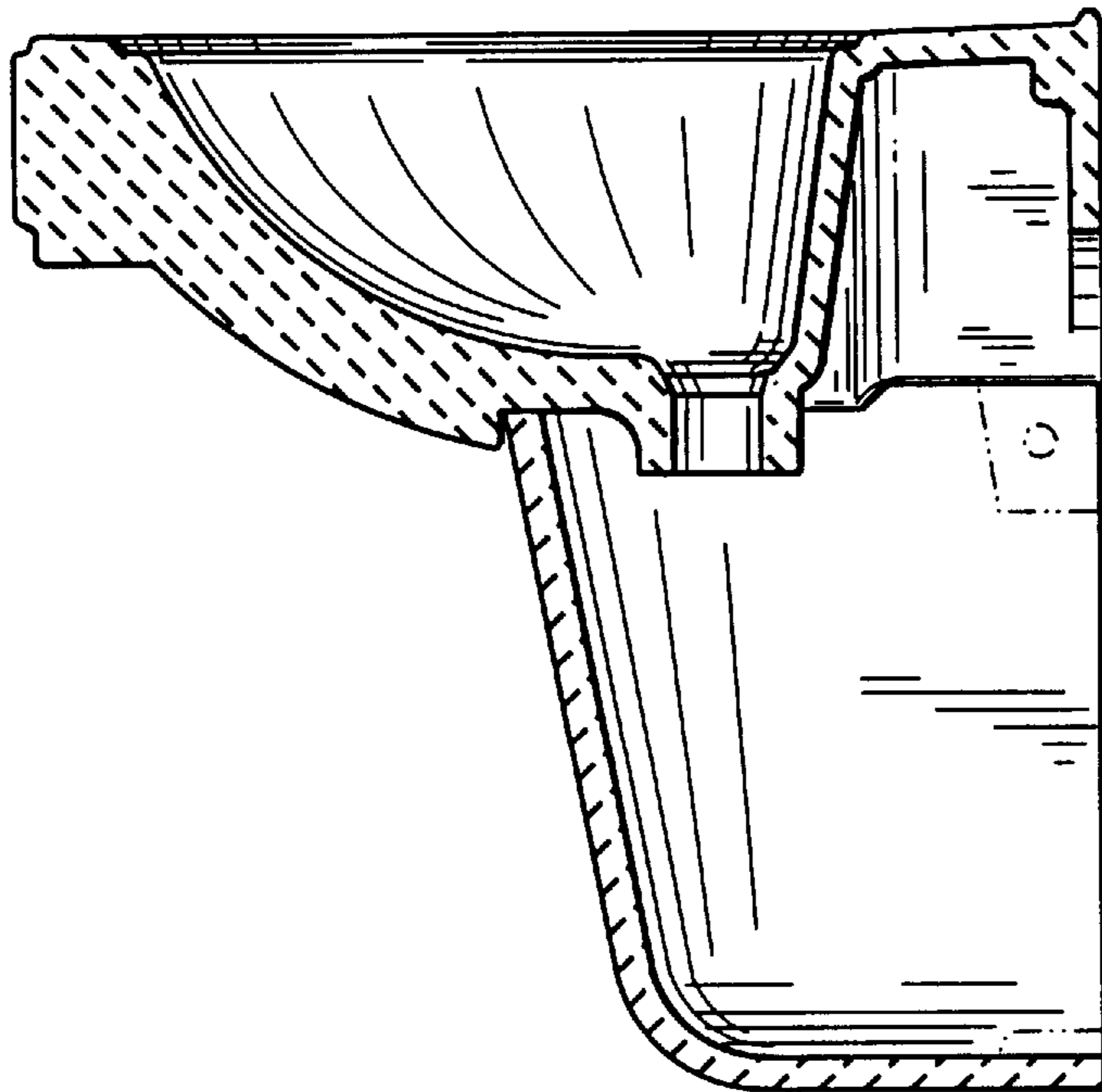


FIG. 9

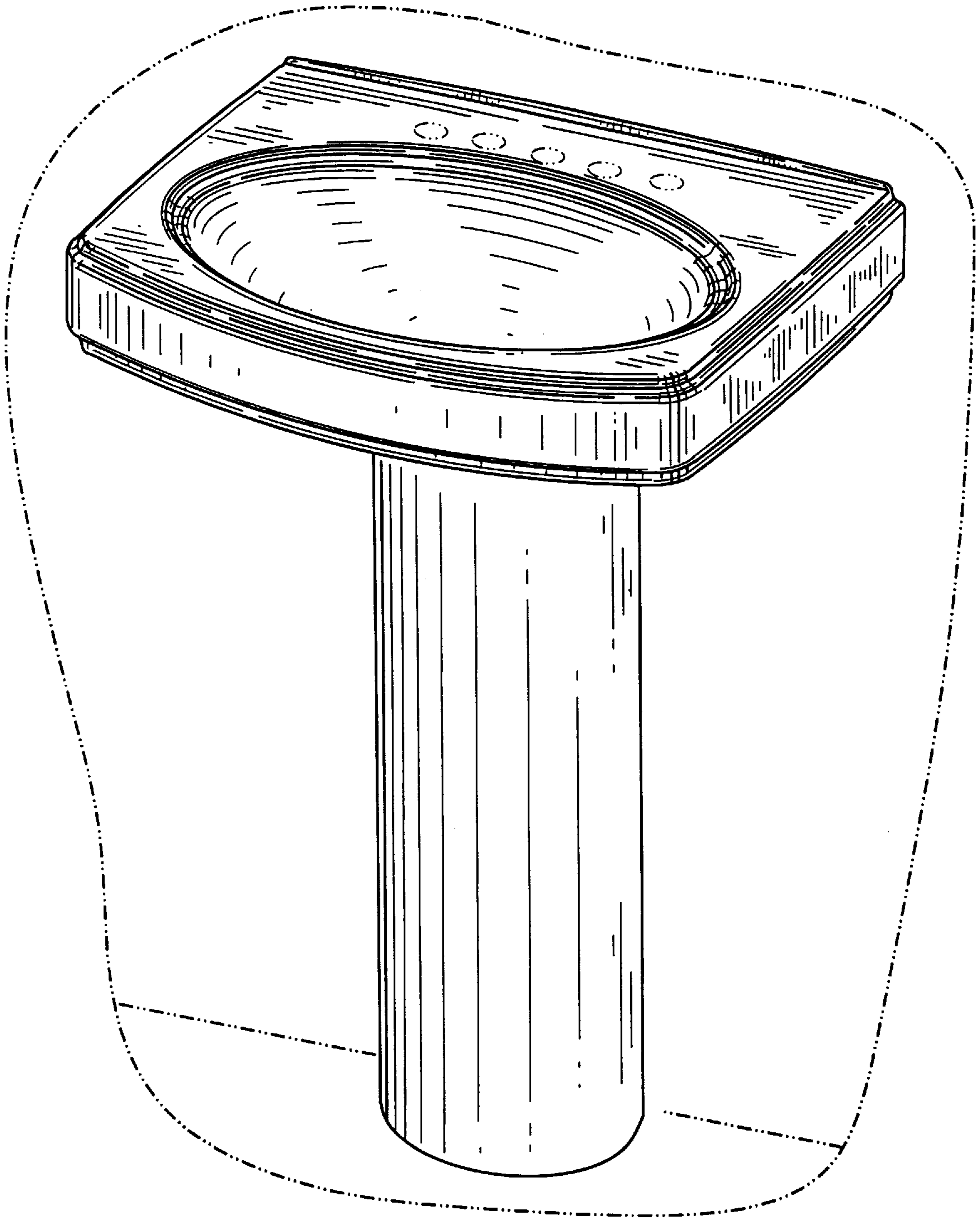


FIG. 10

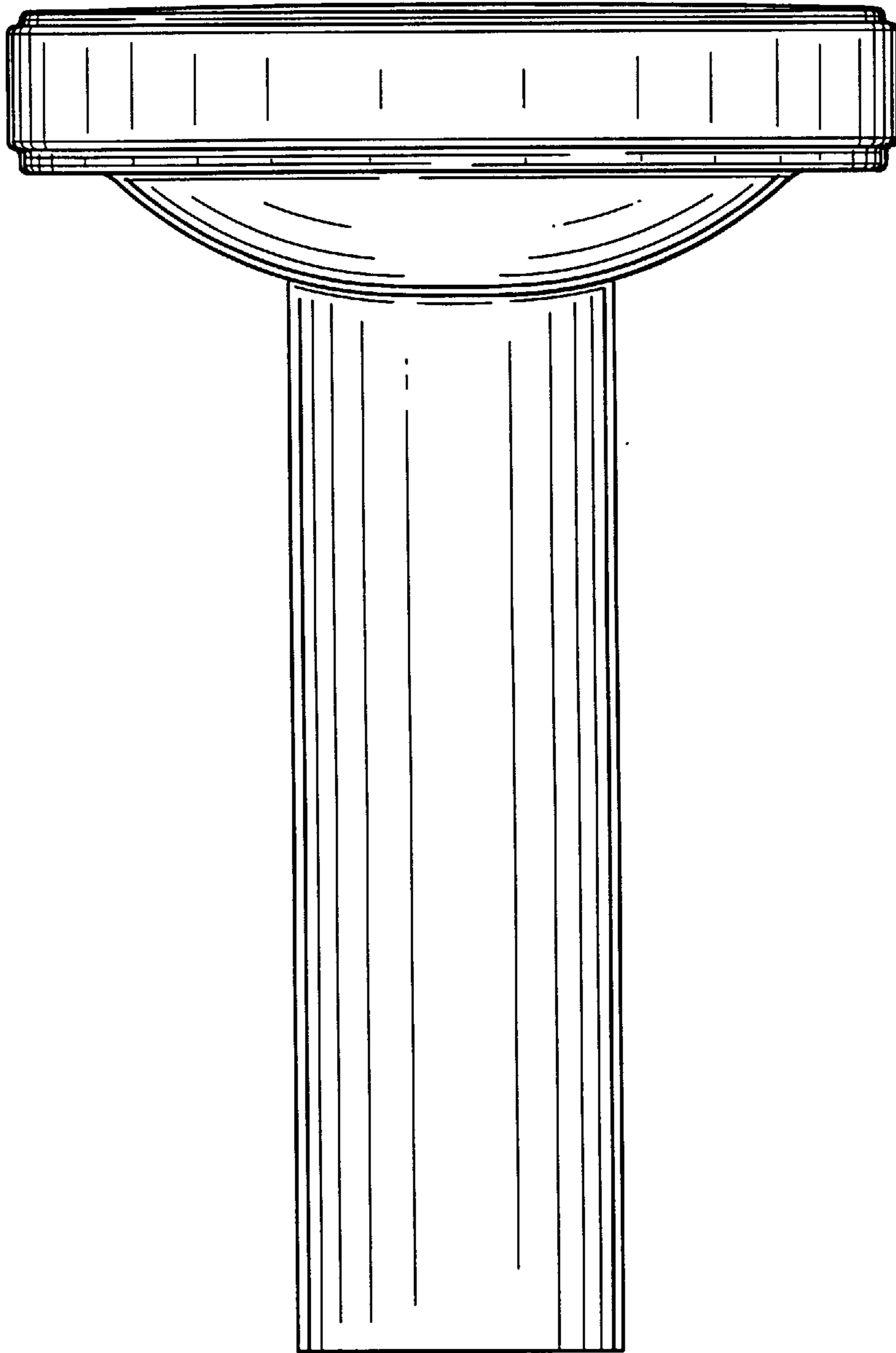


FIG. 11

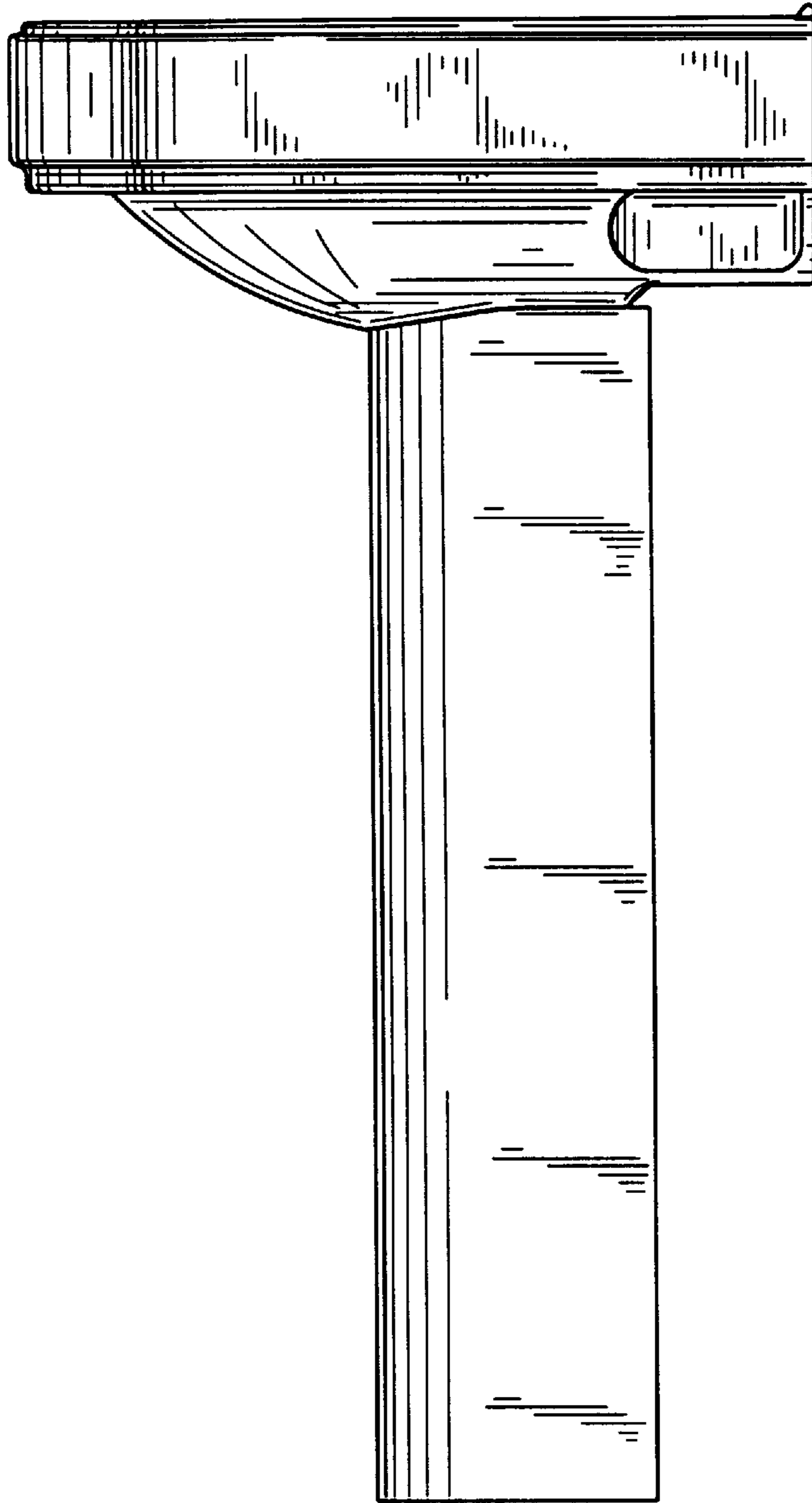


FIG. 12

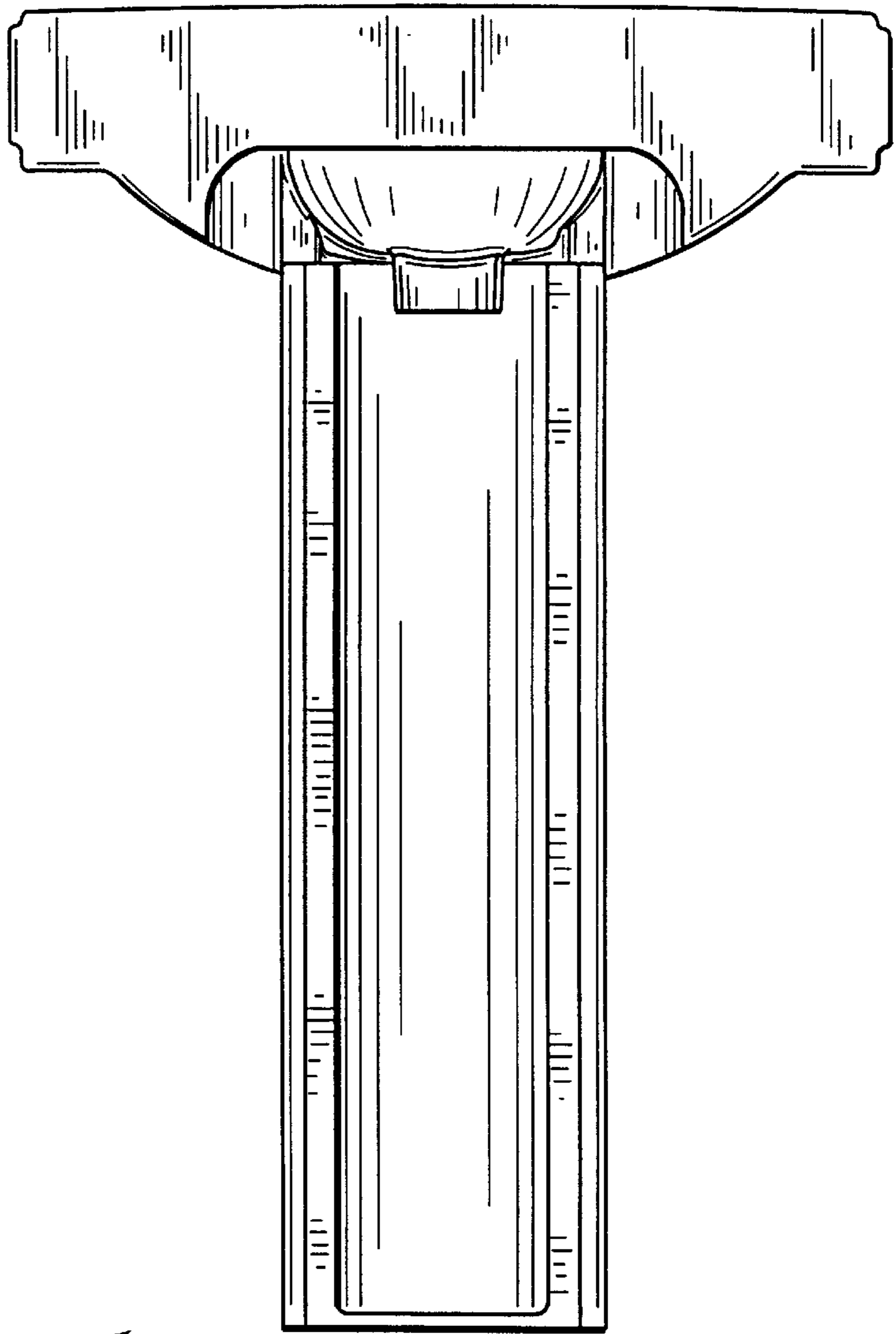


FIG. 13

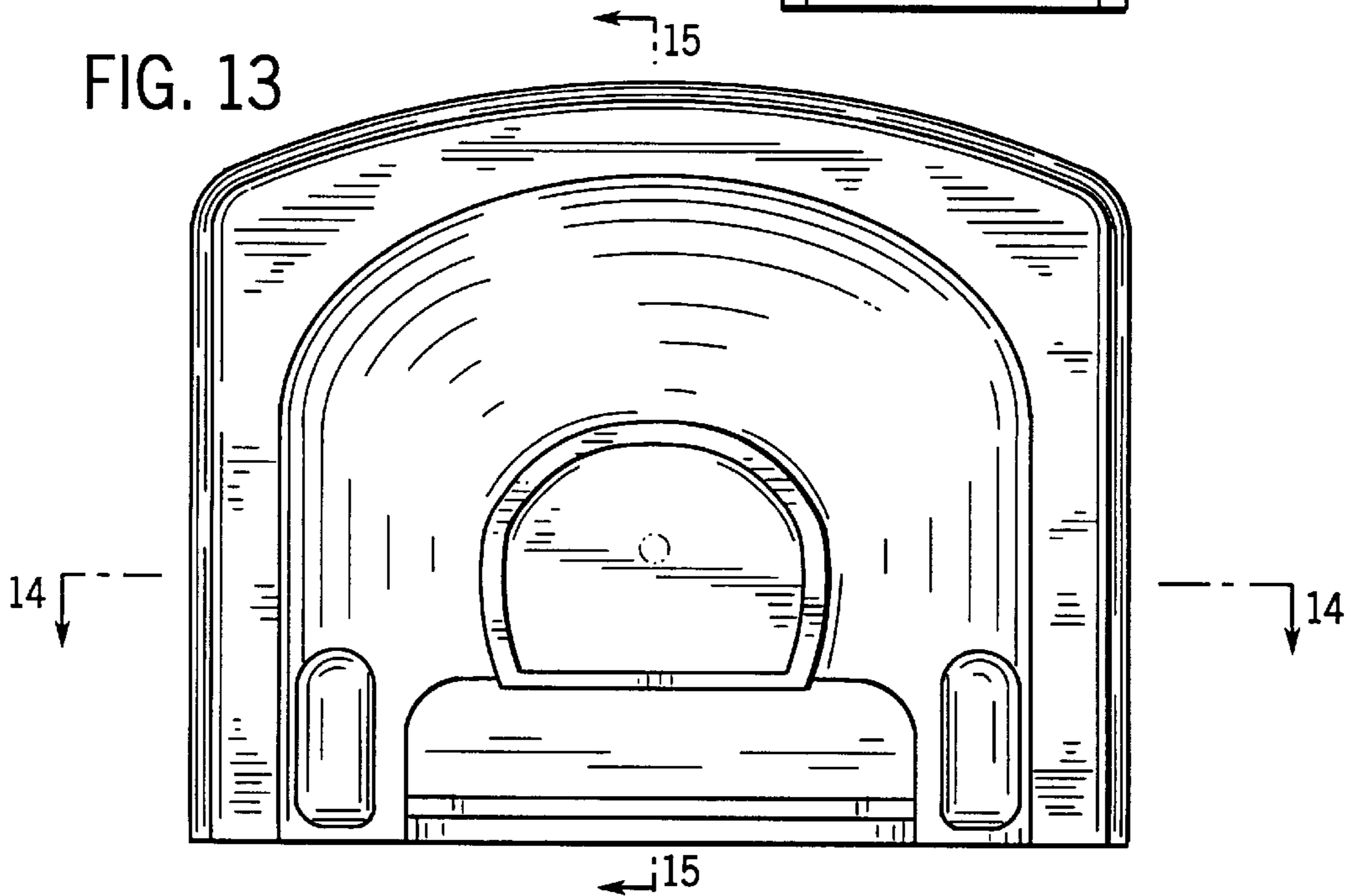


FIG. 14

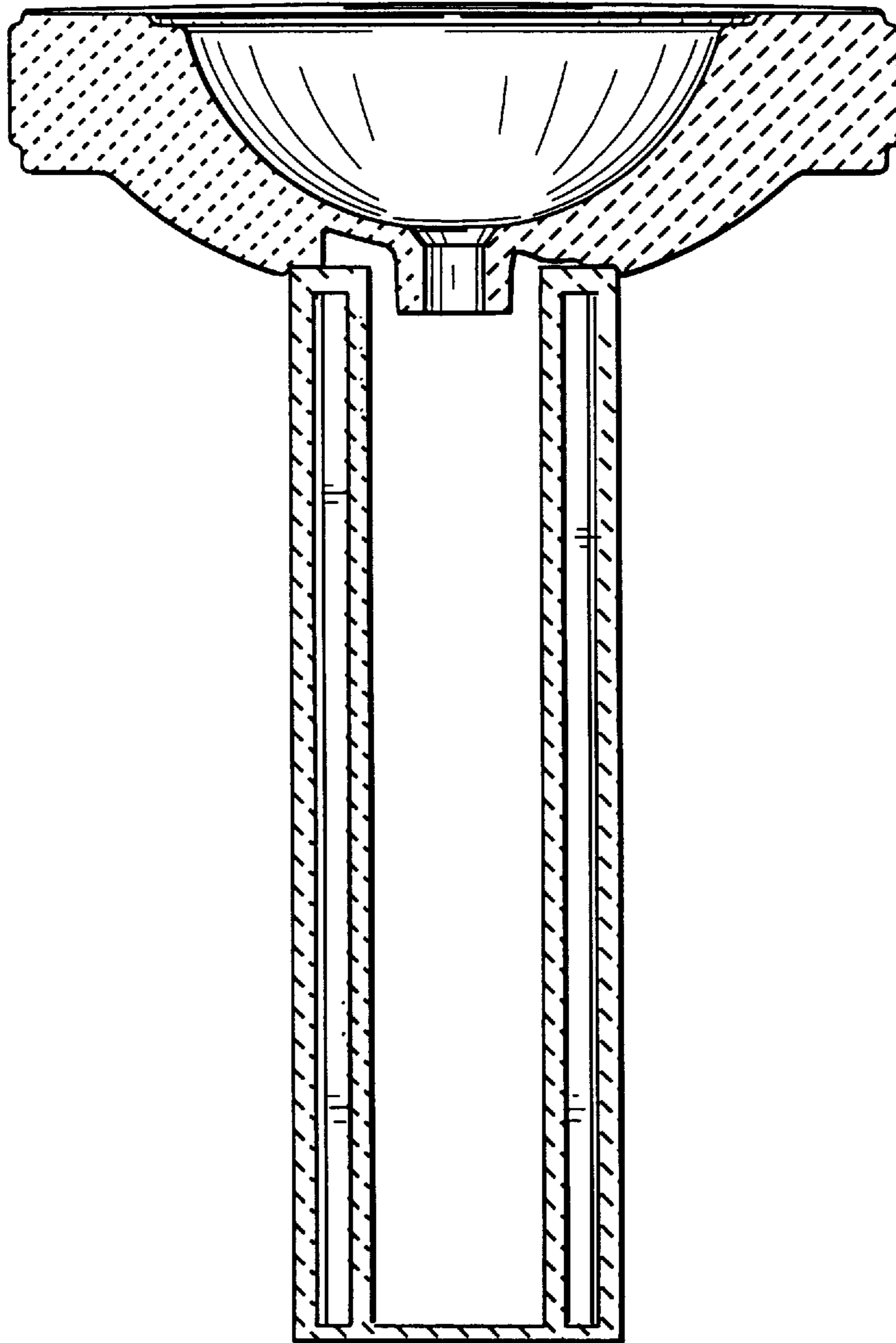


FIG. 15

