



US00D399931S

United States Patent [19]

Doughty et al.

[11] Patent Number: **Des. 399,931**

[45] Date of Patent: ****Oct. 20, 1998**

[54] SPOUT

[75] Inventors: **Frederic C. Doughty**, South Pasadena;
Darren M. Mark, Valencia; **Alvin Tolosa**, Ventura, all of Calif.

[73] Assignee: **Emhart Inc.**, Newark, Del.

[**] Term: **14 Years**

[21] Appl. No.: **80,178**

[22] Filed: **Dec. 2, 1997**

[51] LOC (6) Cl. **23-01**

[52] U.S. Cl. **D23/255**

[58] Field of Search D23/238-243,
D23/250-257; D8/300-308; 4/675-678;
137/801

[56] **References Cited**

U.S. PATENT DOCUMENTS

D. 266,349	9/1982	Piesco	D23/257
D. 266,785	11/1982	Thompson	D23/255
D. 291,116	7/1987	Haug et al.	D23/255
D. 295,664	5/1988	Kohler, Jr. et al.	D23/255
D. 317,350	6/1991	Freed	D23/257
D. 367,700	3/1996	Hill et al.	D23/255
D. 385,338	10/1997	Burchard et al.	D23/255
4,107,046	8/1978	Corder	.	
5,083,589	1/1992	Wilcock	.	

5,107,896	4/1992	Otto	.
5,139,050	8/1992	Otto	.
5,145,114	9/1992	Mönch	.
5,279,329	1/1994	Pippel	.
5,634,220	6/1997	Chiu	.

Primary Examiner—Louis S. Zarfes
Assistant Examiner—Eric Watterson
Attorney, Agent, or Firm—Harold Weinstein

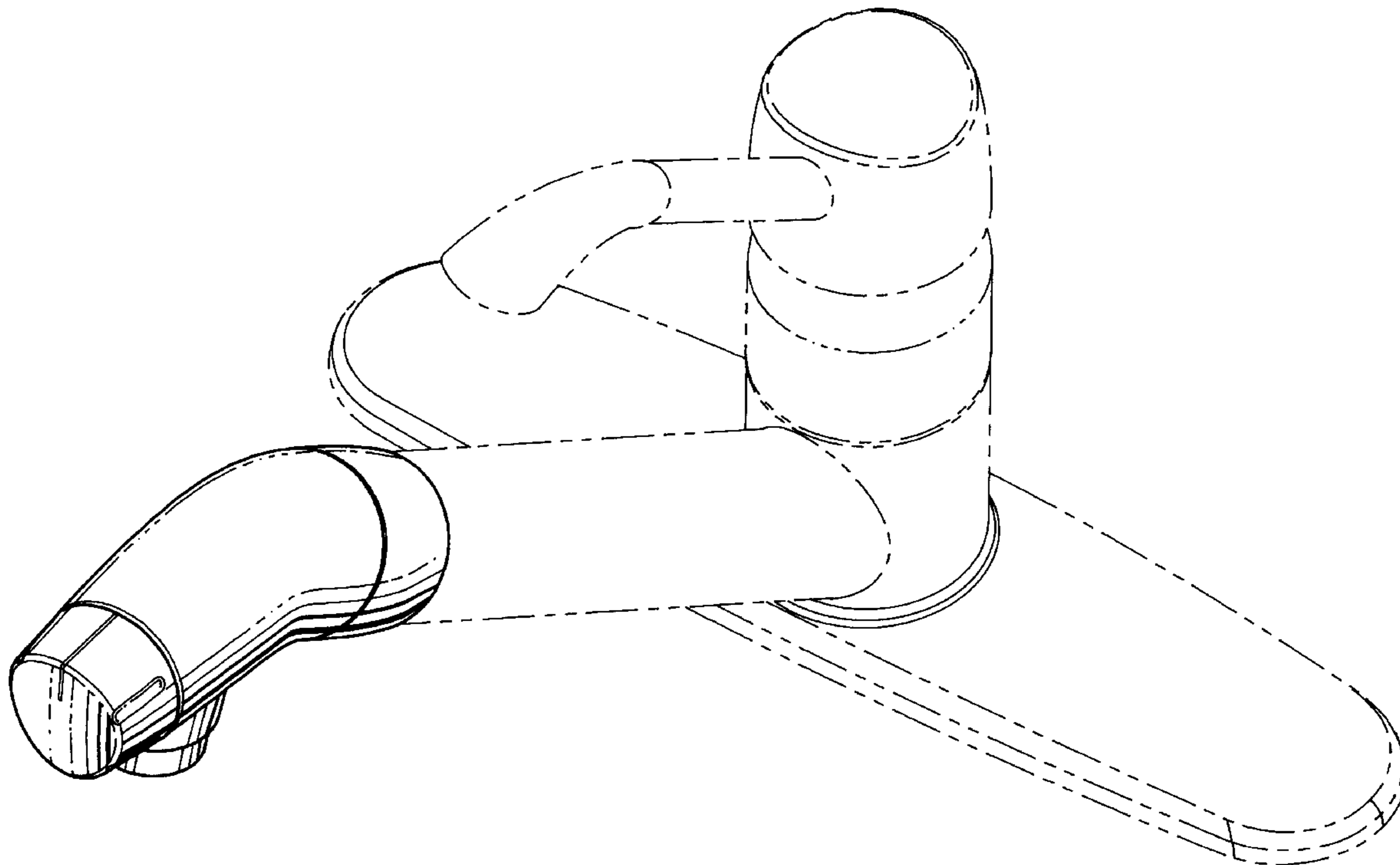
[57] **CLAIM**

The ornamental design for spout, as shown and described.

DESCRIPTION

FIG. 1 is a perspective view of our new design of the spout; FIG. 2 is a front elevational view of our new design of the spout; FIG. 3 is a rear elevational view of our new design of the spout; FIG. 4 is a right side elevational view of our new design of the spout; FIG. 5 is a left side elevational view of our new design of the spout; FIG. 6 is a top plan view of our new design of the spout; and, FIG. 7 is a bottom plan view of our new design of the spout. The broken line representation of the faucet body and handle shown in FIG. 1 is for illustrative purposes only and forms no part of the claimed design.

1 Claim, 3 Drawing Sheets



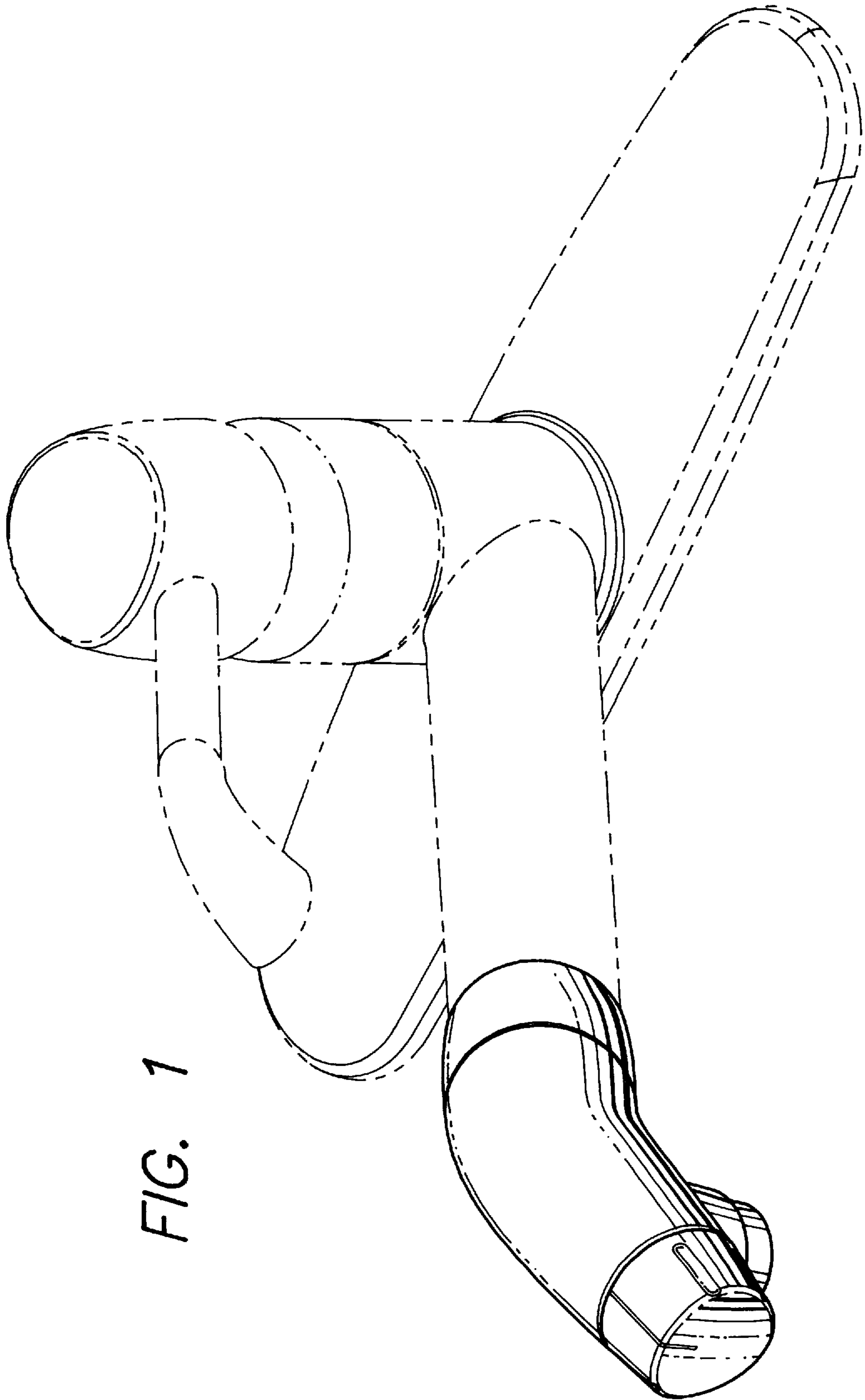


FIG. 1

FIG. 2

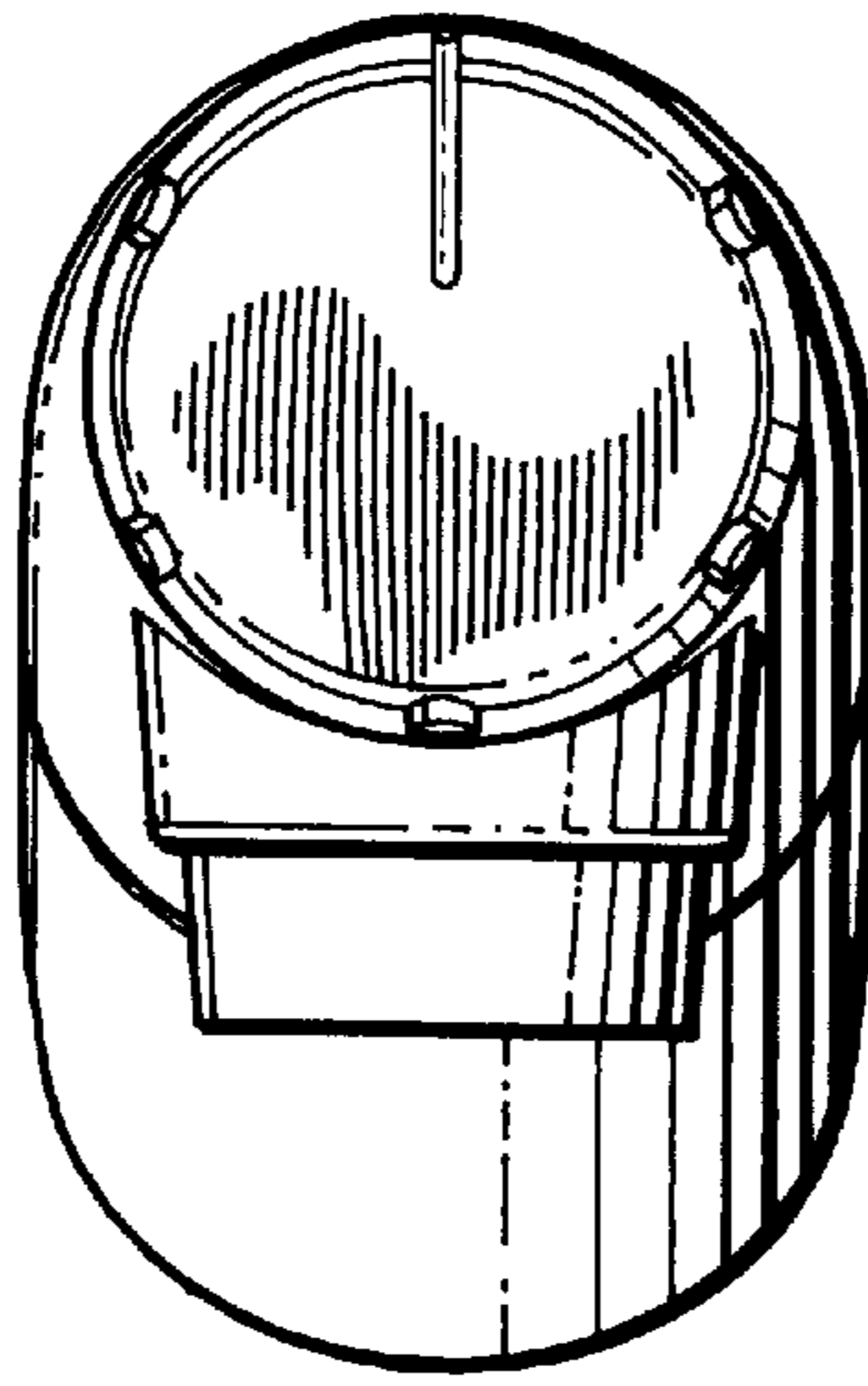


FIG. 3

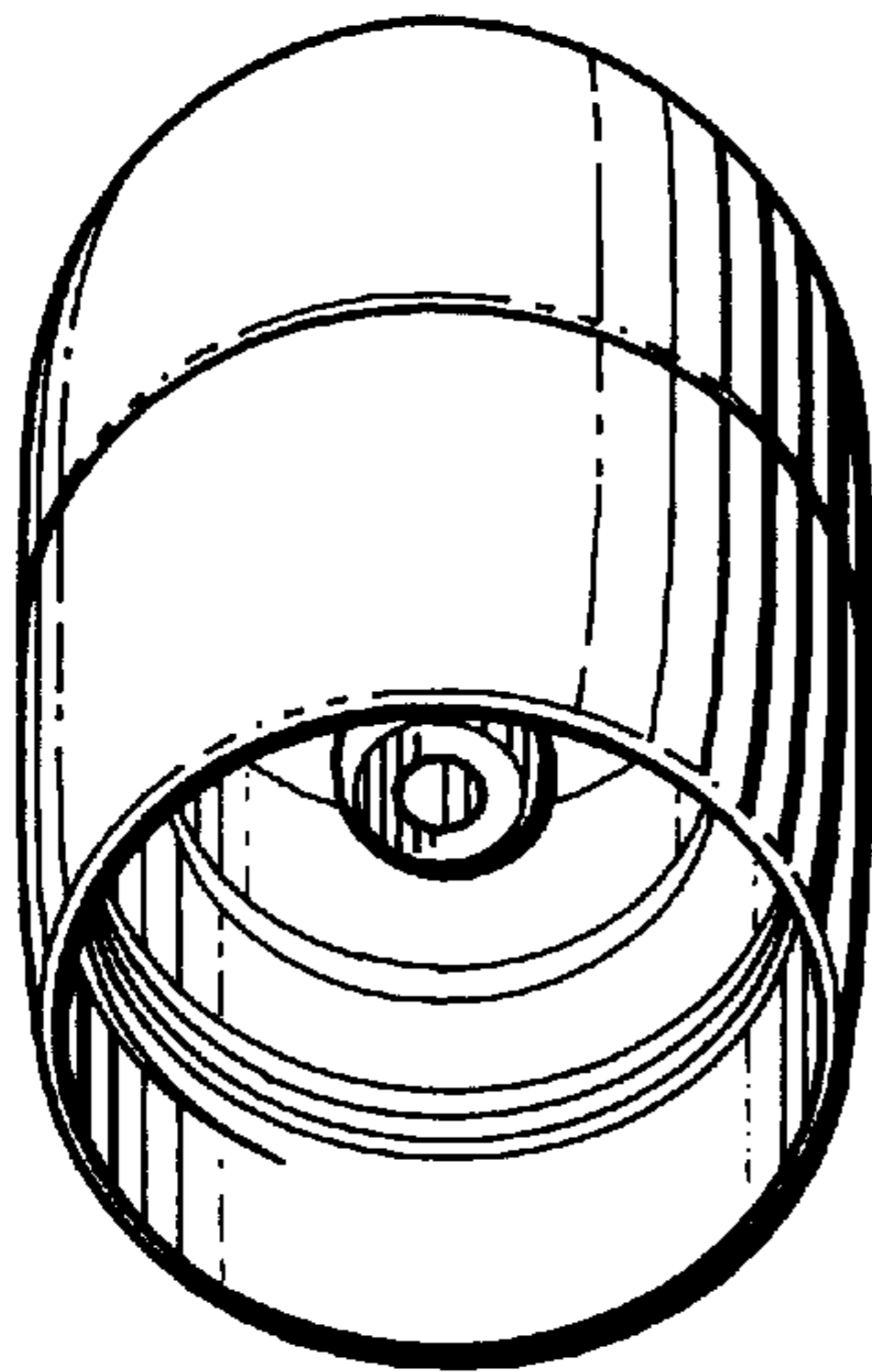
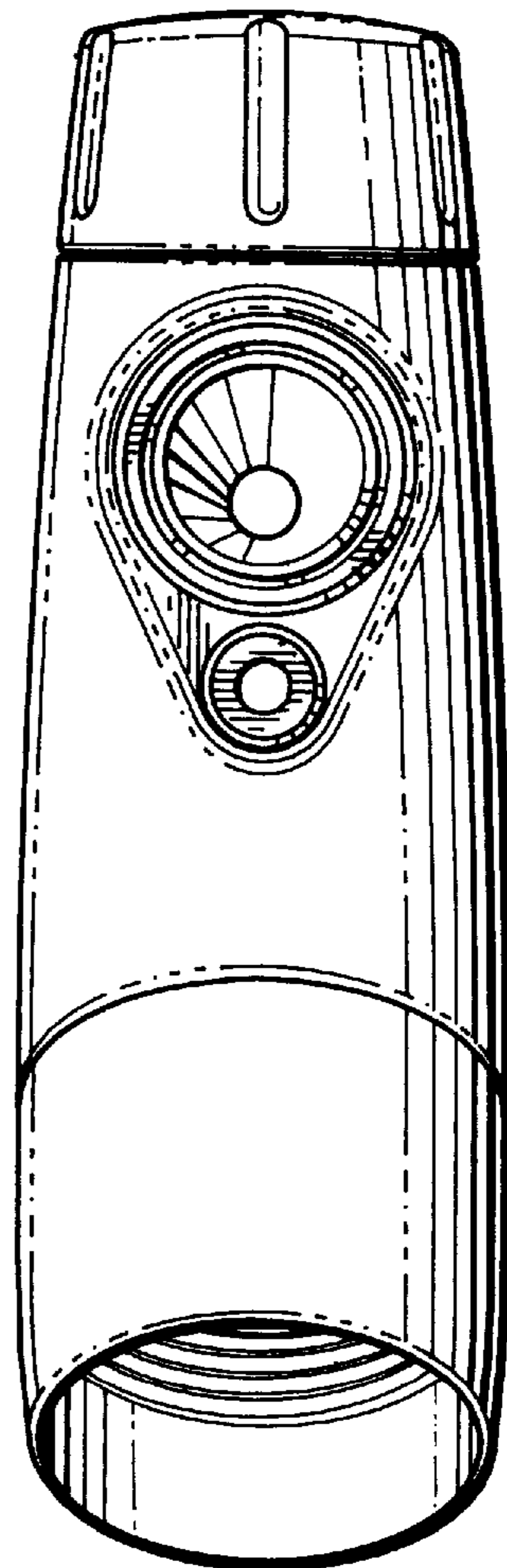


FIG. 7



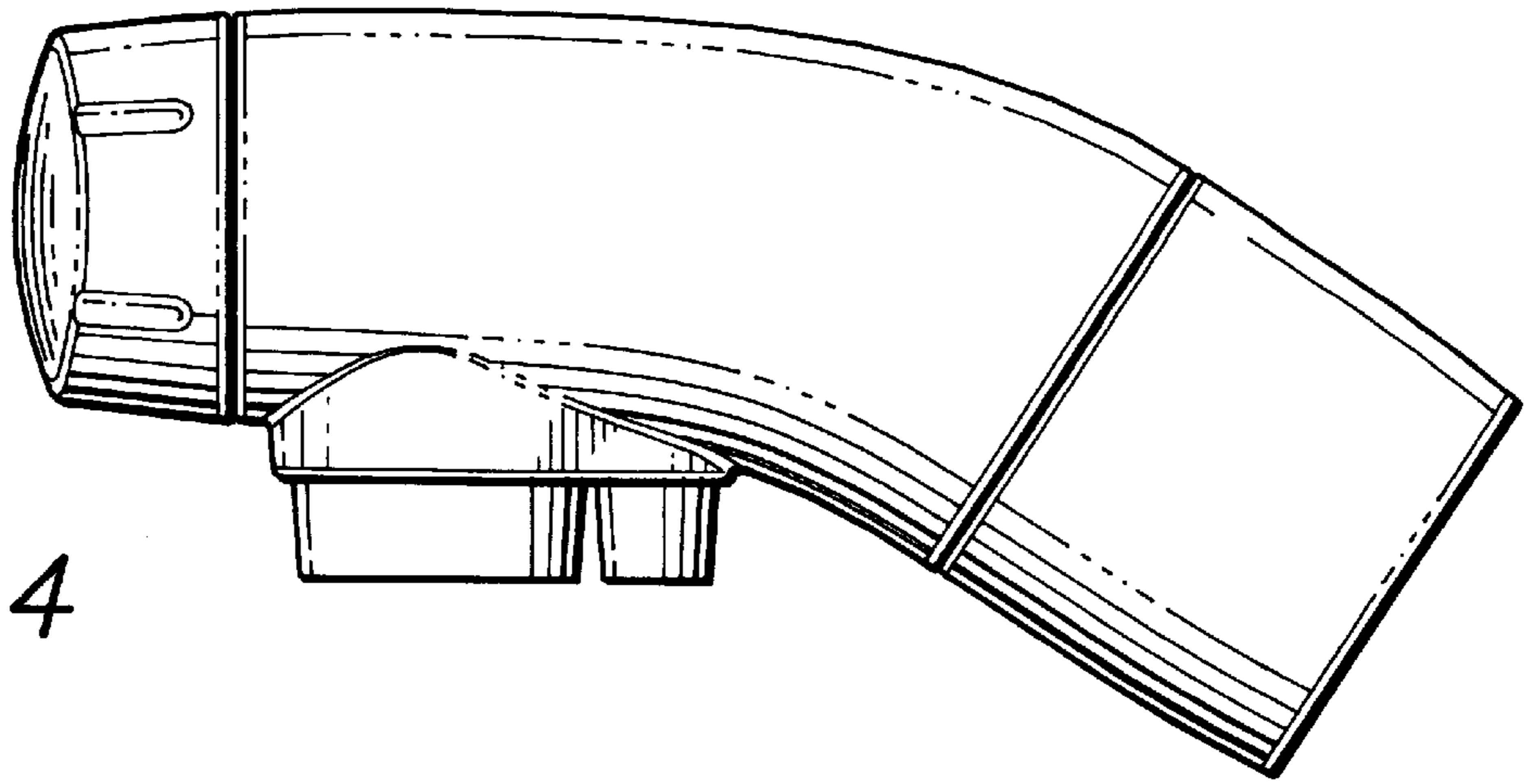


FIG. 4

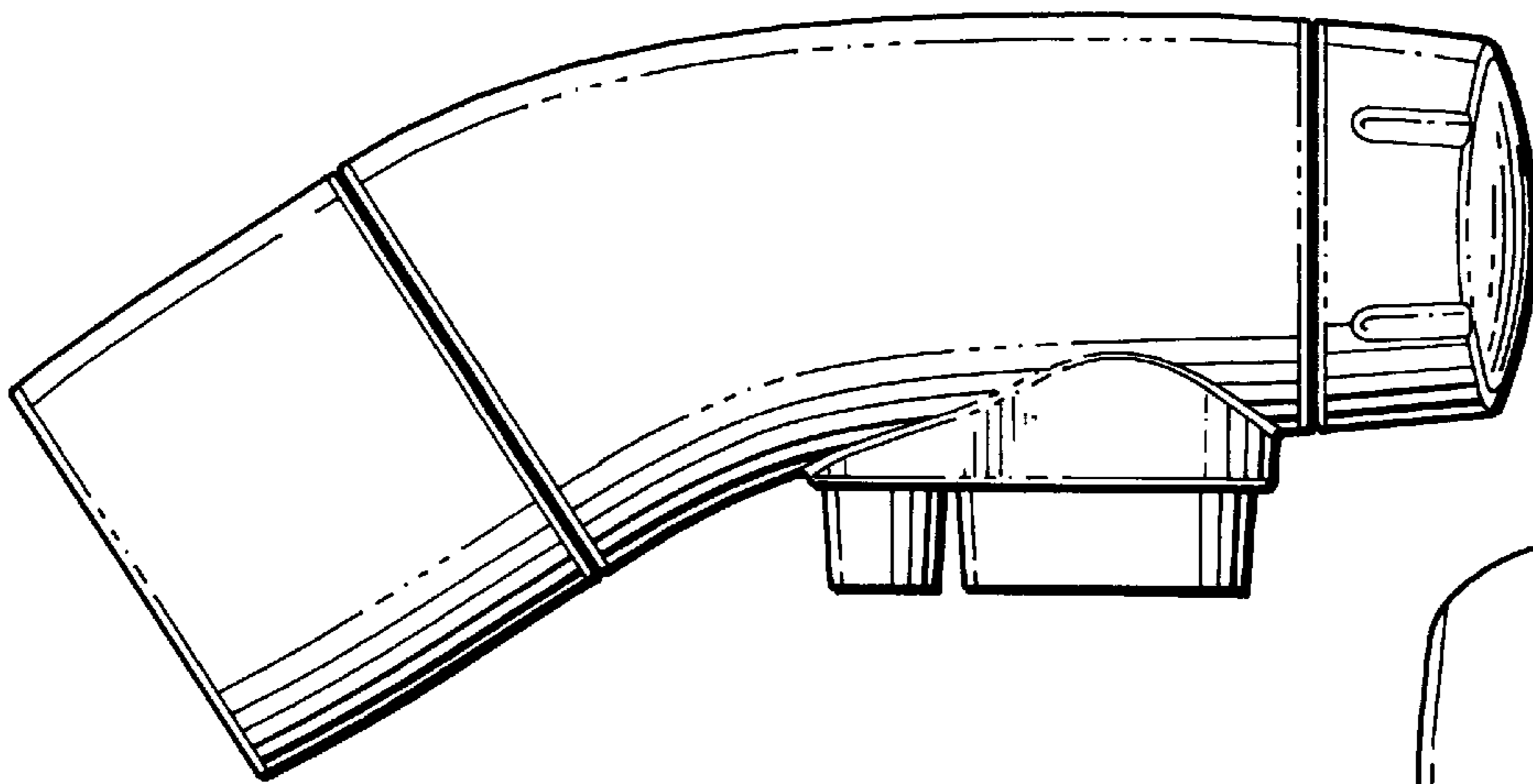


FIG. 5

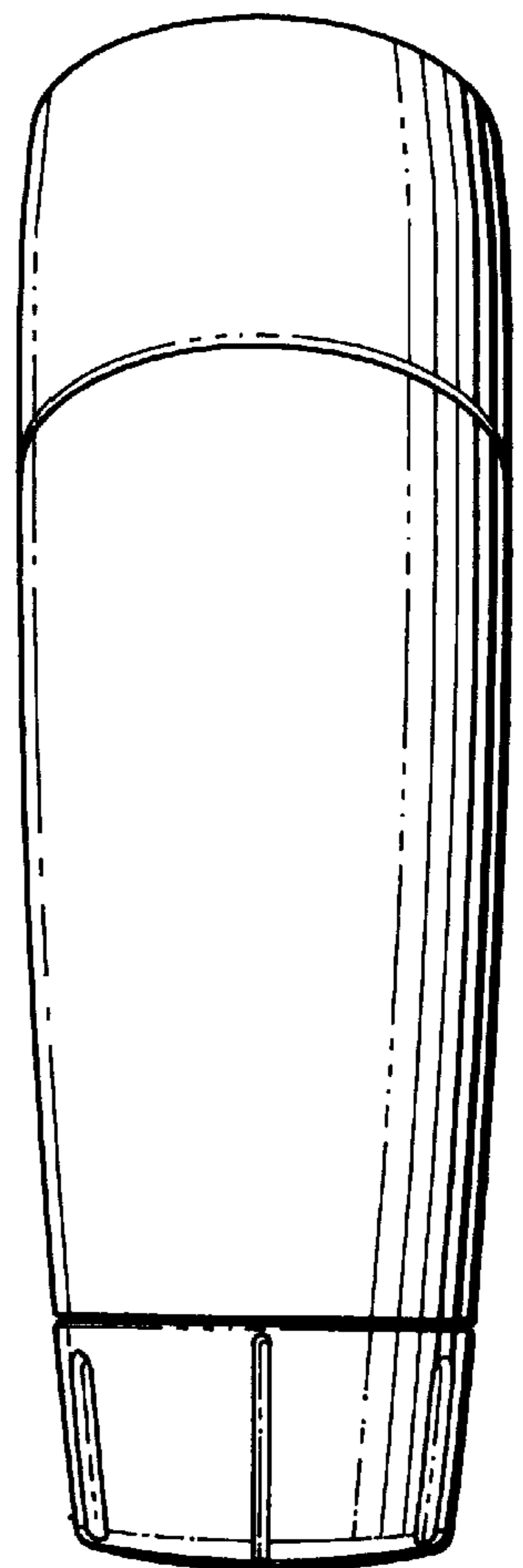


FIG. 6