



US00D399930S

United States Patent [19]
Lord

[11] **Patent Number: Des. 399,930**

[45] **Date of Patent: **Oct. 20, 1998**

[54] **FAUCET**

[75] **Inventor: Judd A. Lord, Carmel, Ind.**

[73] **Assignee: Masco Corporation of Indiana, Indianapolis, Ind.**

[**] **Term: 14 Years**

[21] **Appl. No.: 80,017**

[22] **Filed: Dec. 4, 1997**

[51] **LOC (6) Cl. 23-01**

[52] **U.S. Cl. D23/255; D23/255**

[58] **Field of Search D23/238-243, D23/250-257; 4/675-678; 137/801**

[56] **References Cited**

U.S. PATENT DOCUMENTS

D. 235,546	6/1975	Landell	D23/241
D. 293,362	12/1987	Hill et al.	D23/241
D. 296,461	6/1988	Yost	D23/241
D. 380,252	6/1997	Abel	D23/241
D. 381,404	7/1997	Doughty et al.	D23/241
D. 387,416	12/1997	Chin	D23/241

Primary Examiner—Louis S. Zarfes
Assistant Examiner—Eric Watterson
Attorney, Agent, or Firm—Myron B. Kapustij; Malcolm L. Sutherland

[57] **CLAIM**

The ornamental design for a faucet, as shown and described.

DESCRIPTION

FIG. 1 is a front perspective view of a faucet showing my new design;

FIG. 2 is a rear perspective view thereof;

FIG. 3 is a top plan view thereof;

FIG. 4 is a front elevational view thereof;

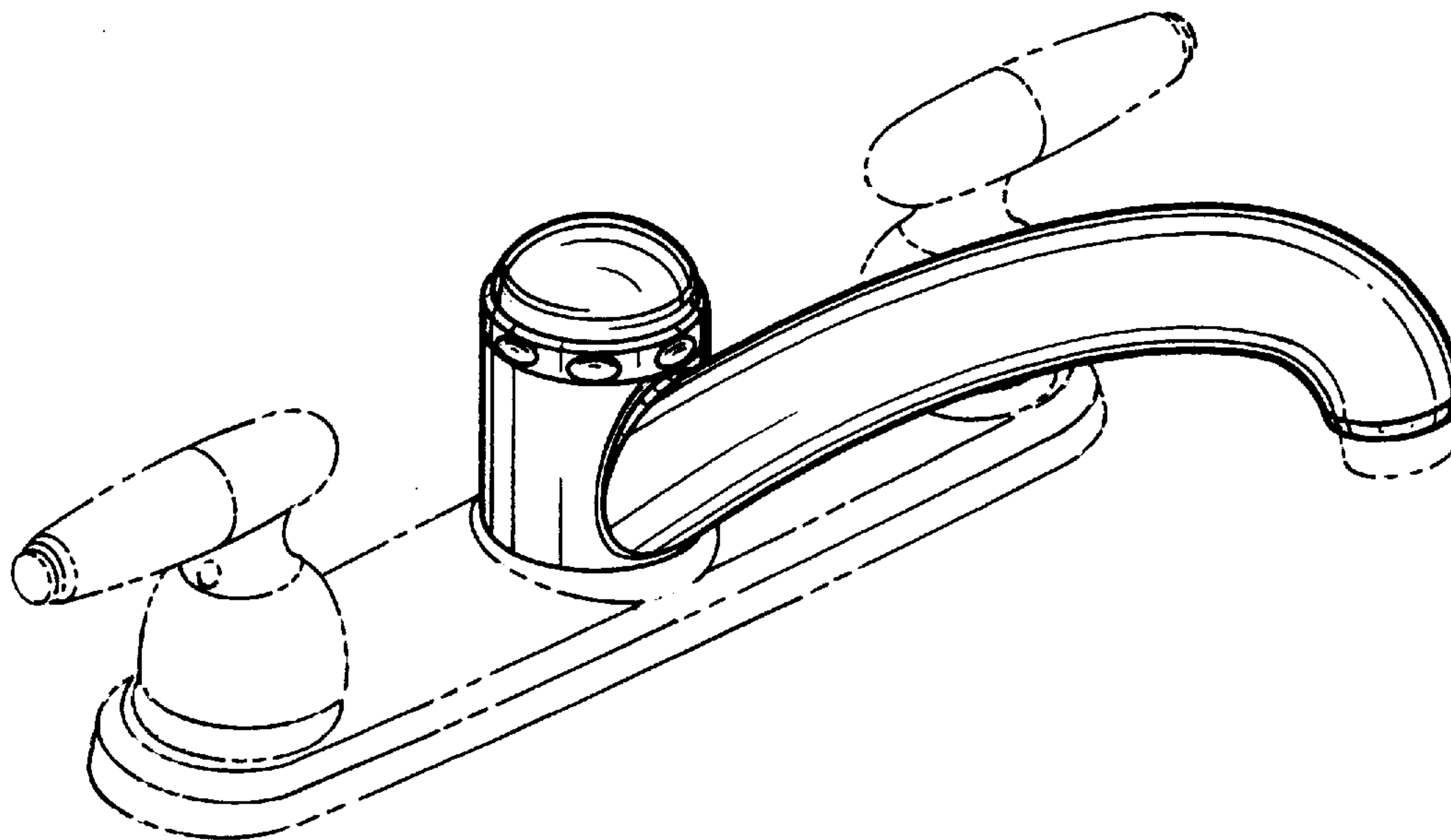
FIG. 5 is a right side elevational view thereof, the left side being a mirror image;

FIG. 6 is a rear elevational view thereof; and,

FIG. 7 is a bottom plan view thereof.

The broken line showings of the aerator in FIGS. 1-2 and 4-5 of the handles in FIGS. 1-4 and 6, and of the escutcheon in FIGS. 1-6 are for purposes of illustration only and form no part of the claimed design.

1 Claim, 4 Drawing Sheets



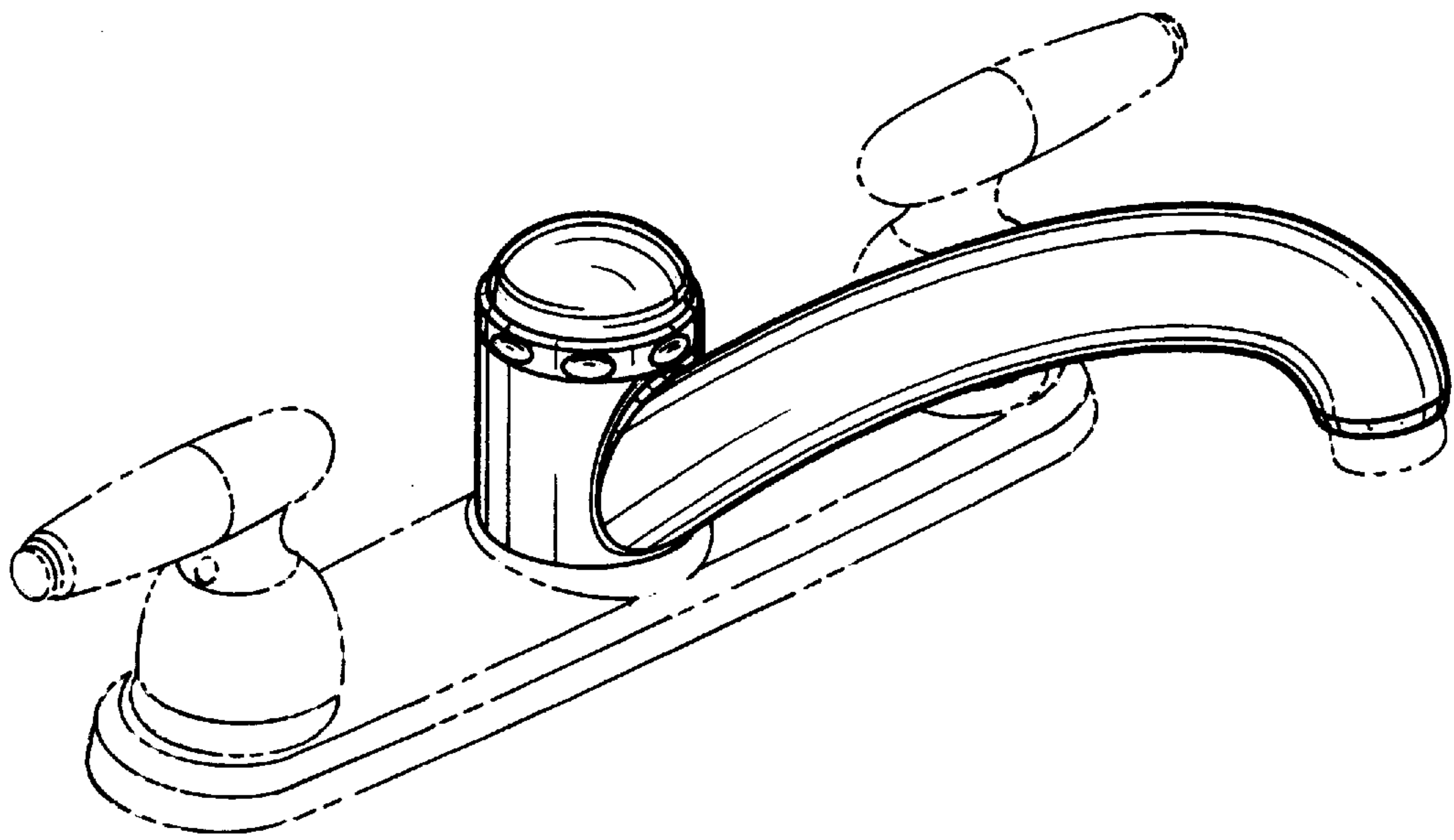


Fig-1

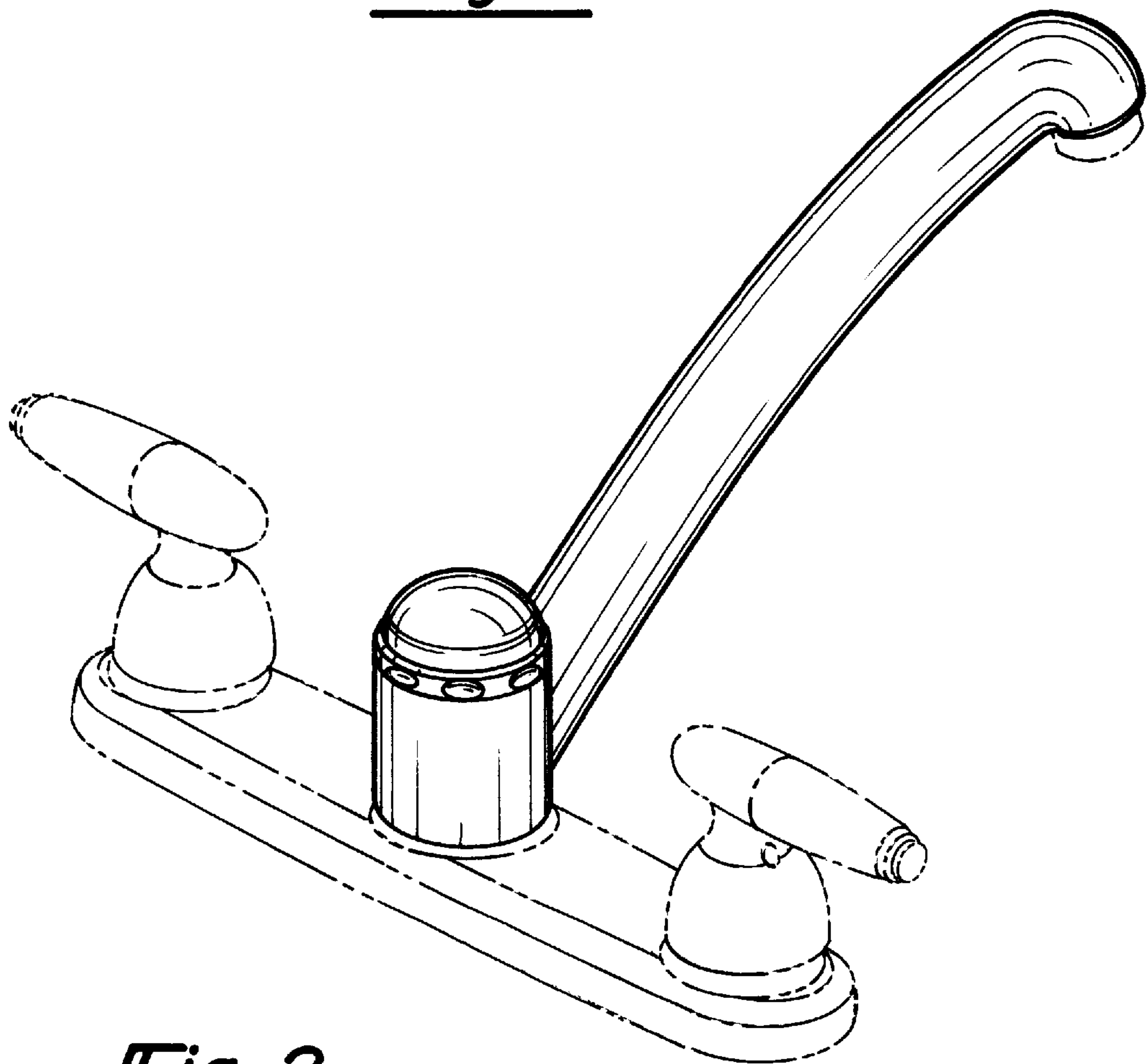


Fig-2

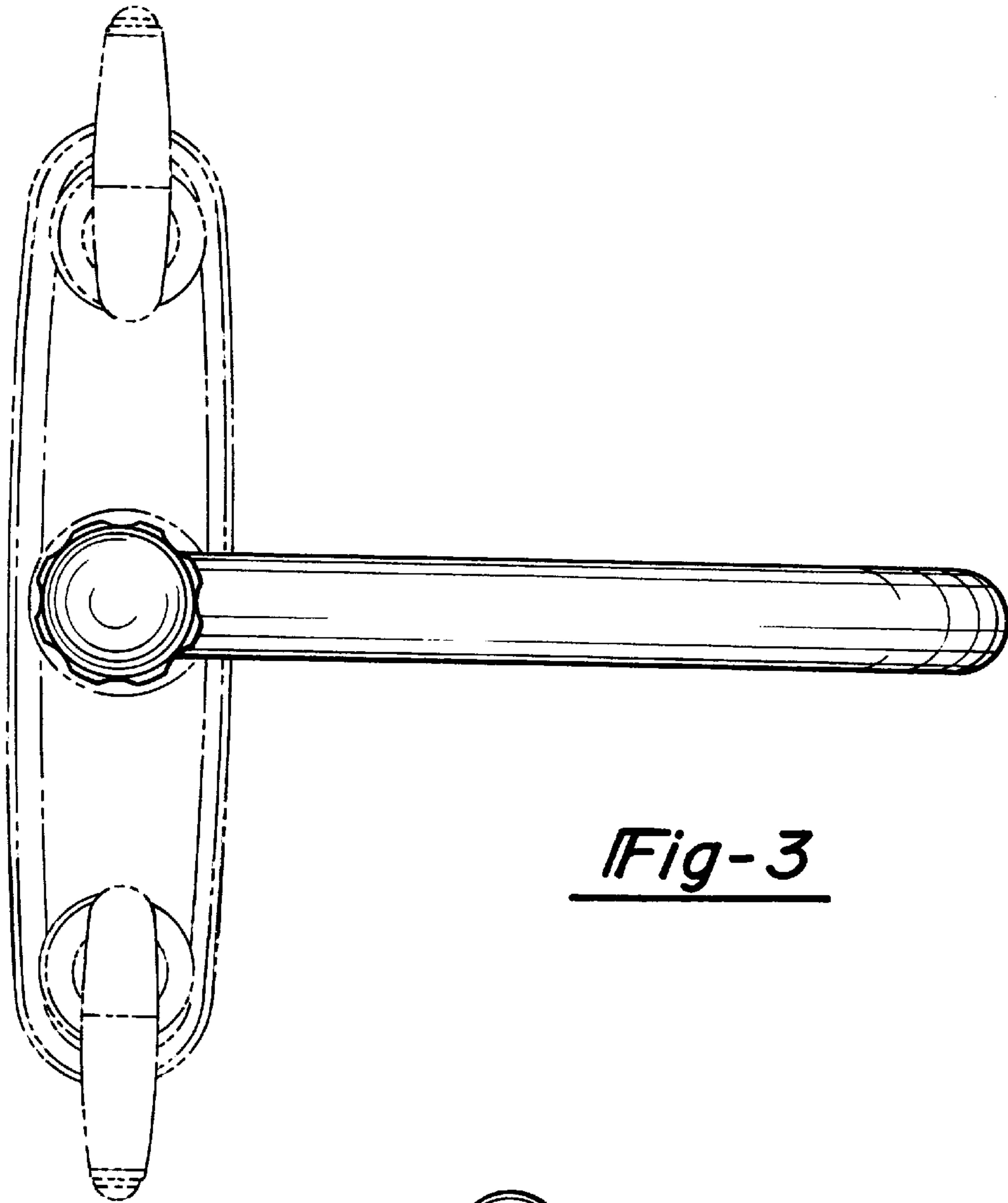


Fig-3

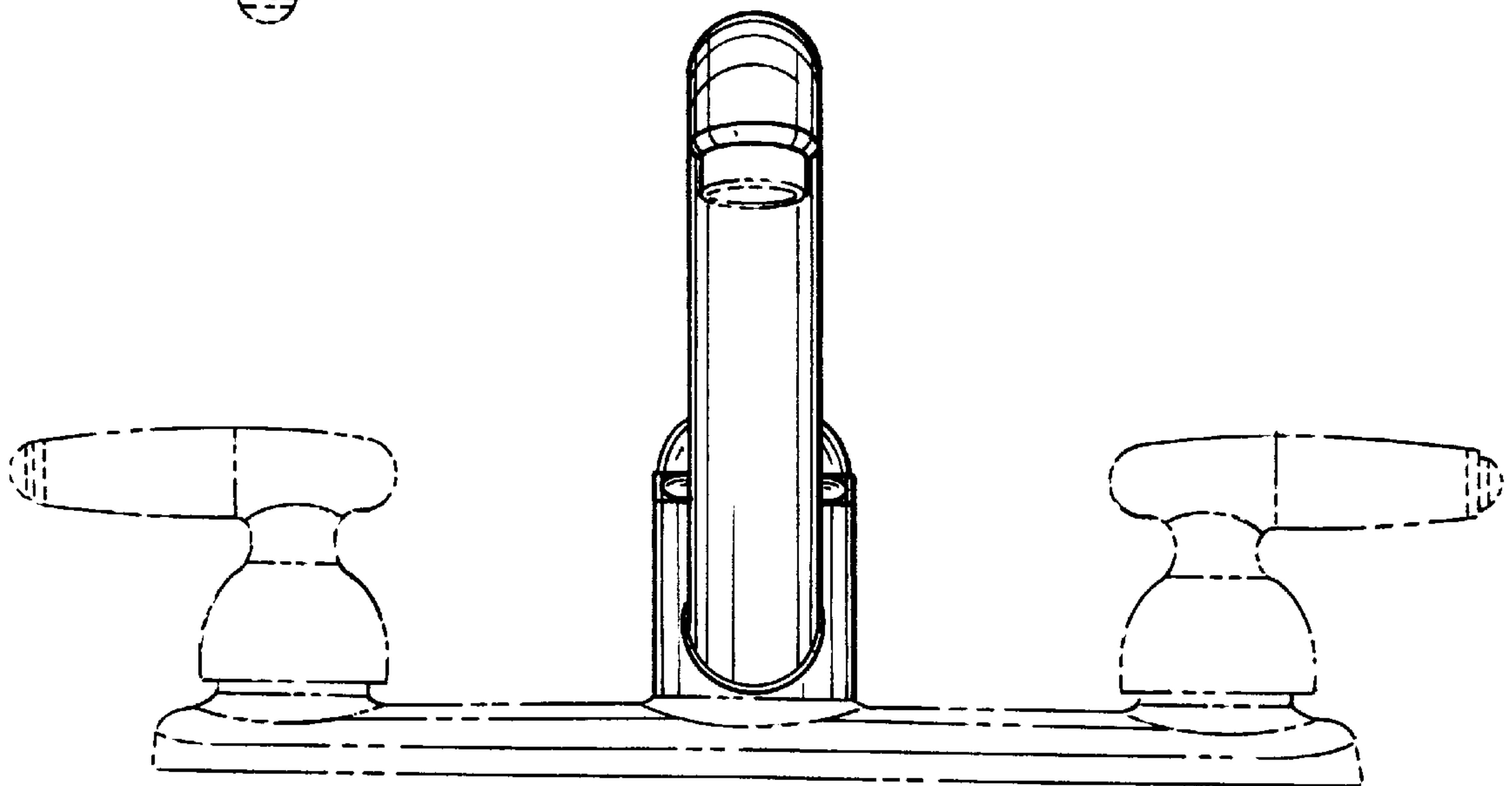


Fig-4

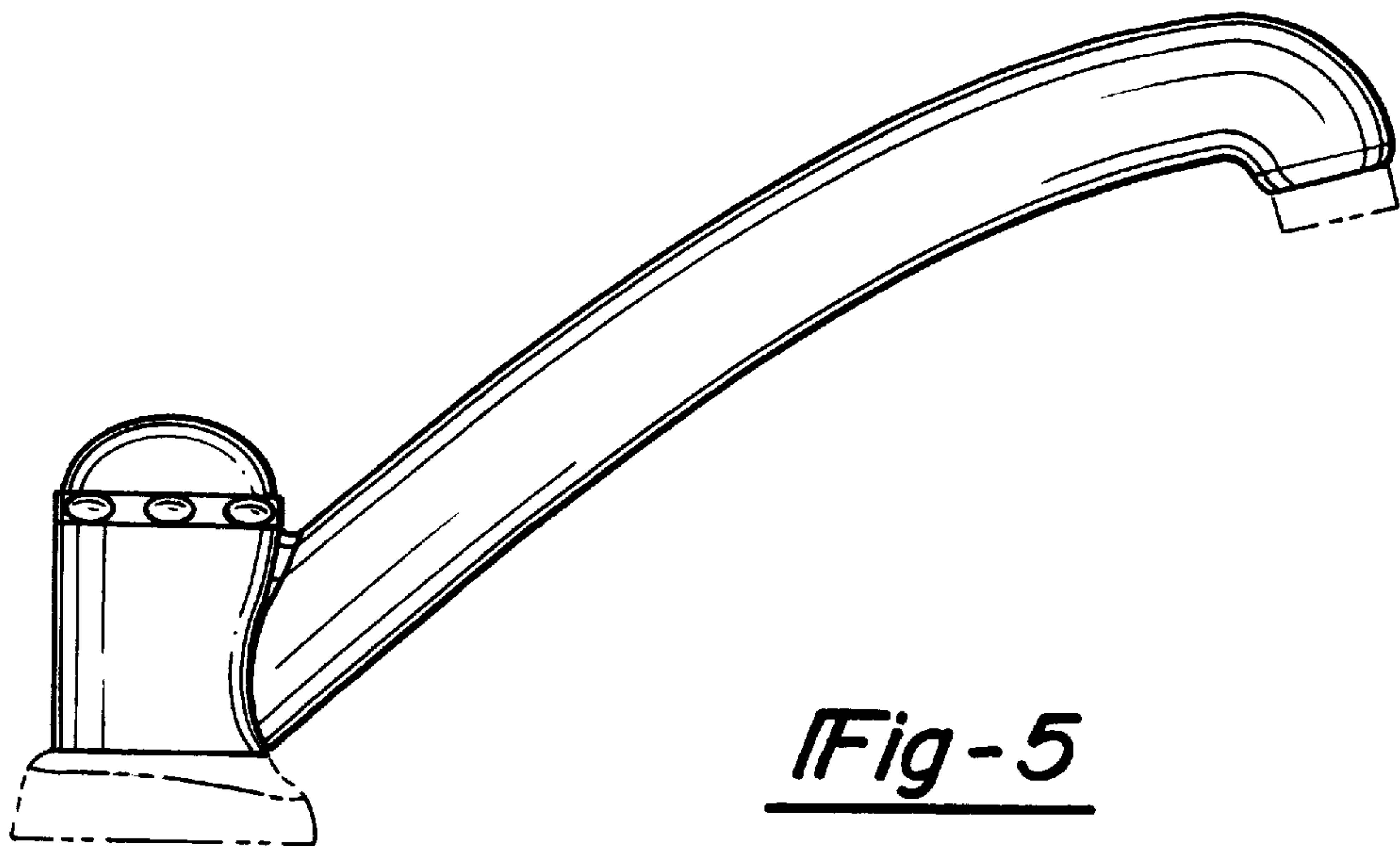


Fig-5

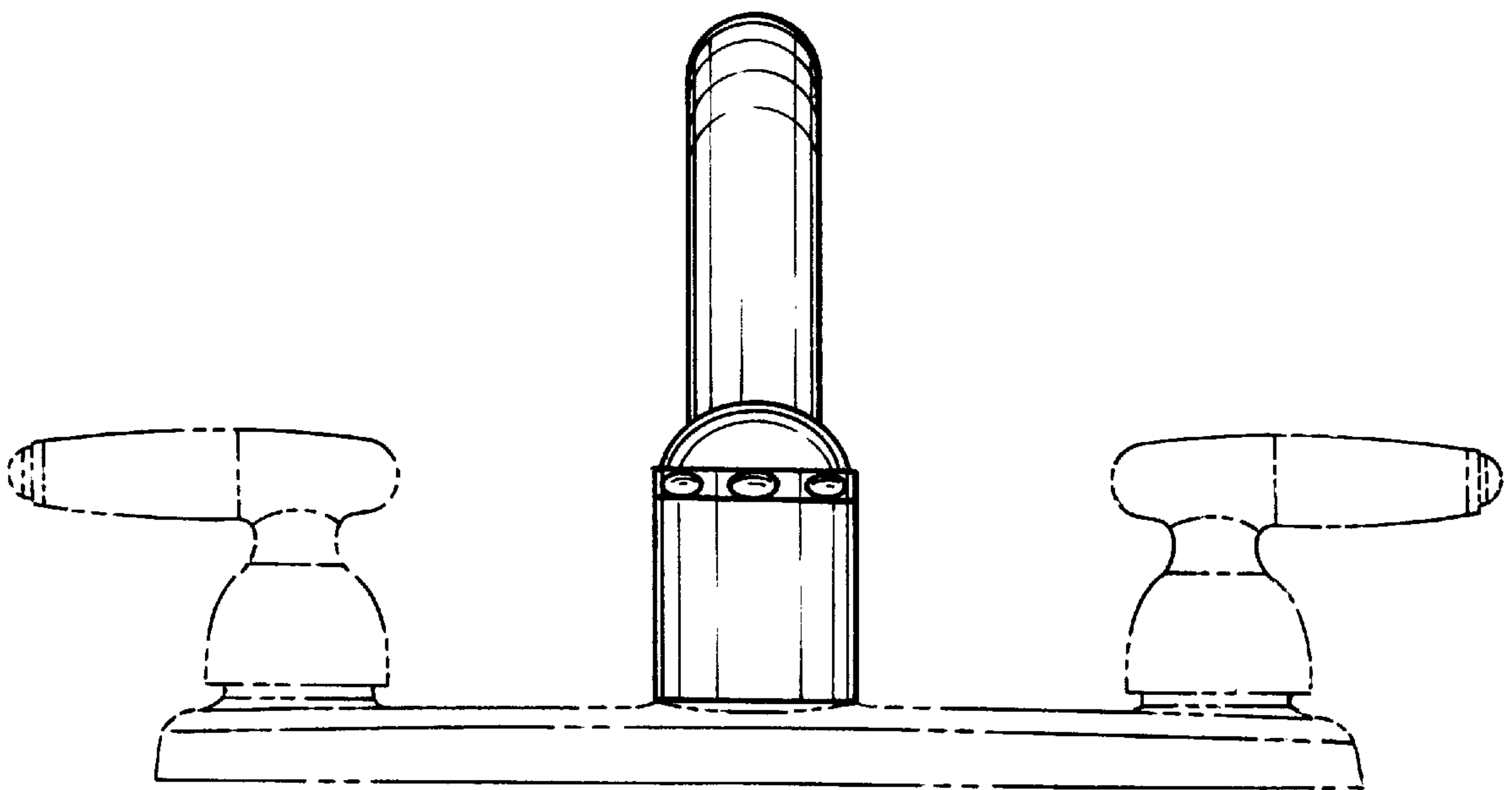


Fig-6

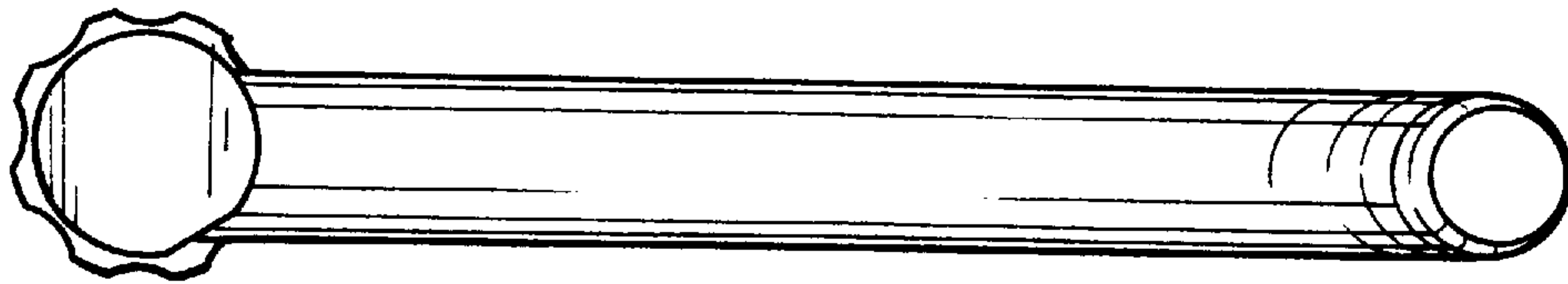


Fig-7