



US00D399929S

United States Patent [19]

Doughty et al.

[11] Patent Number: **Des. 399,929**

[45] Date of Patent: ****Oct. 20, 1998**

[54] SPOUT

[75] Inventors: **Frederic C. Doughty**, South Pasadena;
Darren M. Mark, Valencia; **Alvin Tolosa**, Ventura, all of Calif.

[73] Assignee: **Emhart Inc.**, Newark, Del.

[**] Term: **14 Years**

[21] Appl. No.: **78,259**

[22] Filed: **Oct. 23, 1997**

[51] LOC (6) Cl. **23-01**

[52] U.S. Cl. **D23/255**

[58] Field of Search D23/238-243,
D23/250-257; 4/675-678; 137/801

[56] **References Cited**

U.S. PATENT DOCUMENTS

D. 368,764	4/1996	Hill et al.	D23/238
D. 373,407	9/1996	Mocek et al.	D23/255
D. 385,338	10/1997	Burchard et al.	D23/255
D. 385,619	10/1997	Ku	D23/238

Primary Examiner—Louis S. Zarfes
Assistant Examiner—Eric Watterson
Attorney, Agent, or Firm—Harold Weinstein

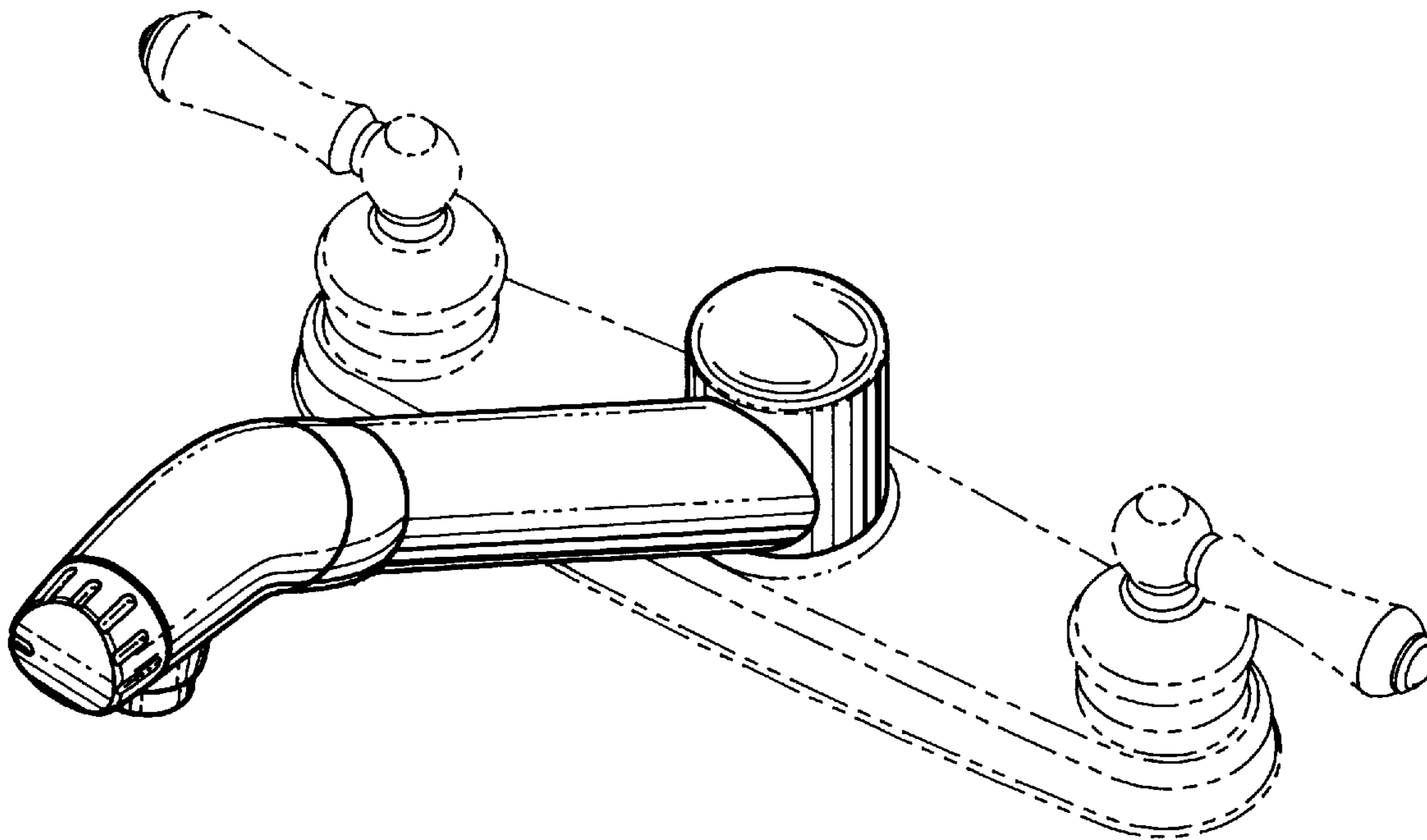
[57] **CLAIM**

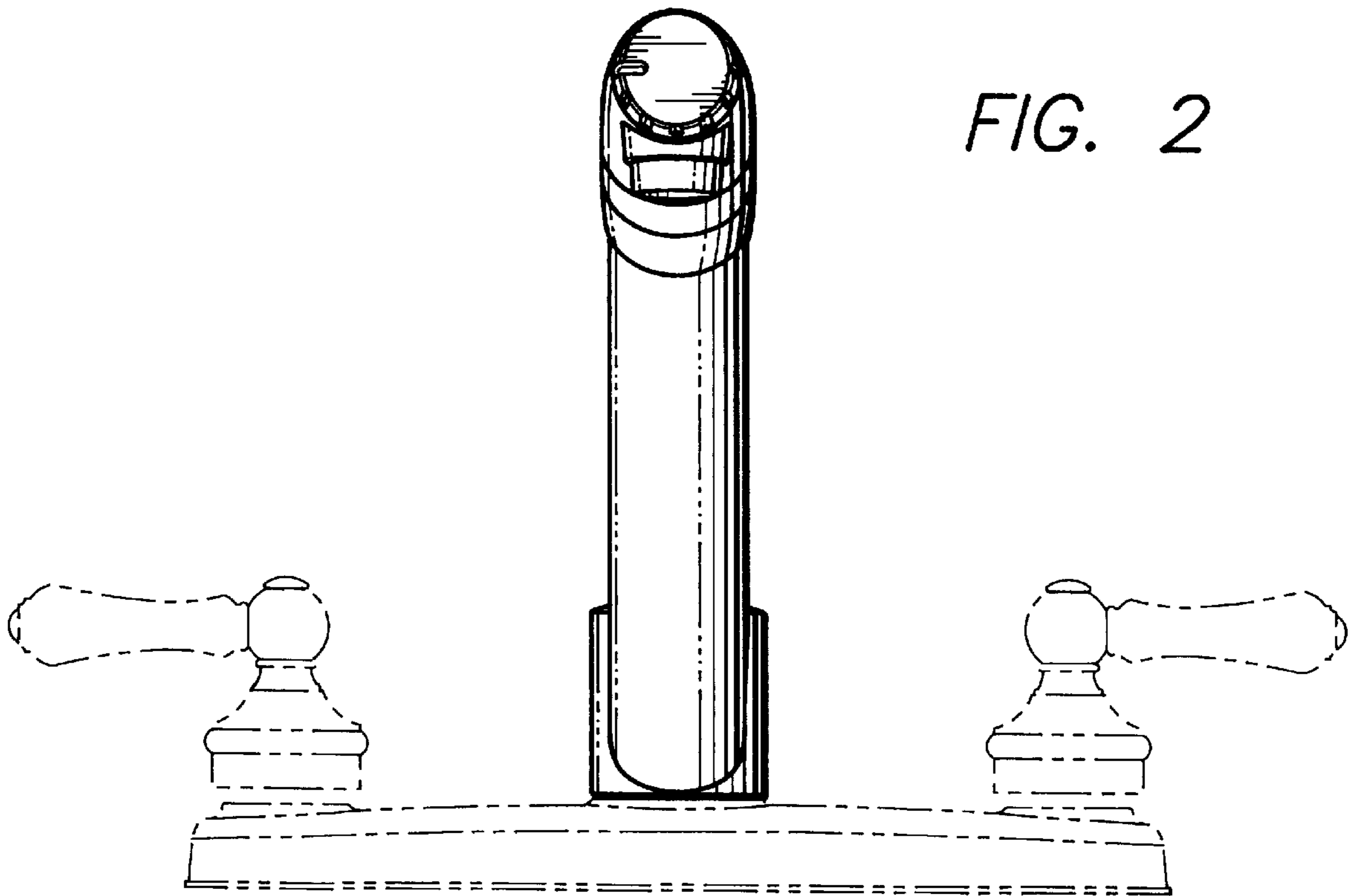
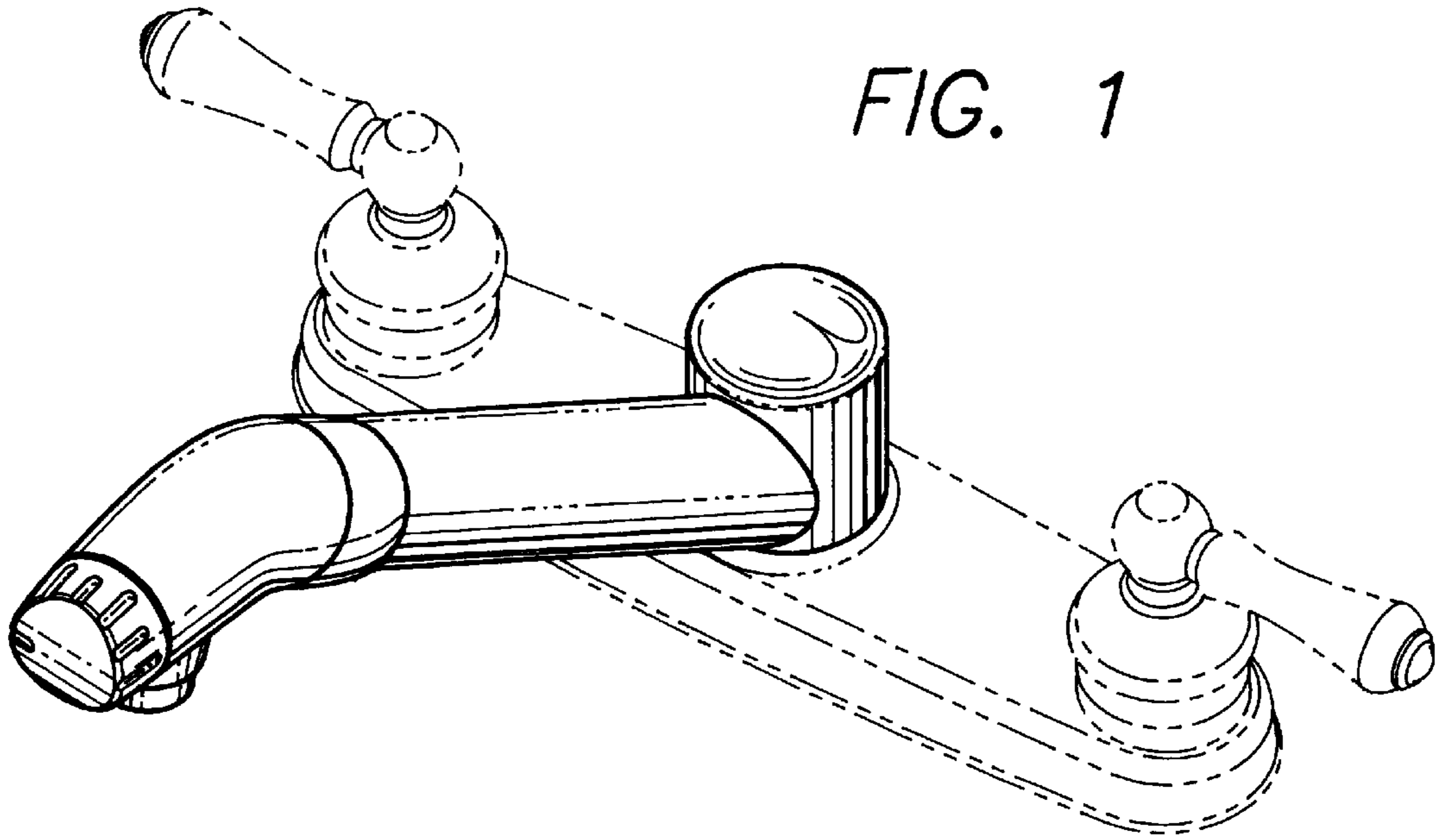
The ornamental design for spout, as shown and described.

DESCRIPTION

FIG. 1 is a perspective view of our new design of the spout; FIG. 2 is a front elevational view of our new design of the spout; FIG. 3 is a right elevational view of our new design of the spout; FIG. 4 is a rear elevational view of our new design of the spout; FIG. 5 is a top plan view of our new design of the spout; FIG. 6 is a left elevational view of our new design of the spout; and, FIG. 7 is a bottom plan view of our new design of the spout. The broken line representation of the faucet base and handles in the drawings is for illustrative purposes only and forms no part of the claimed design.

1 Claim, 4 Drawing Sheets





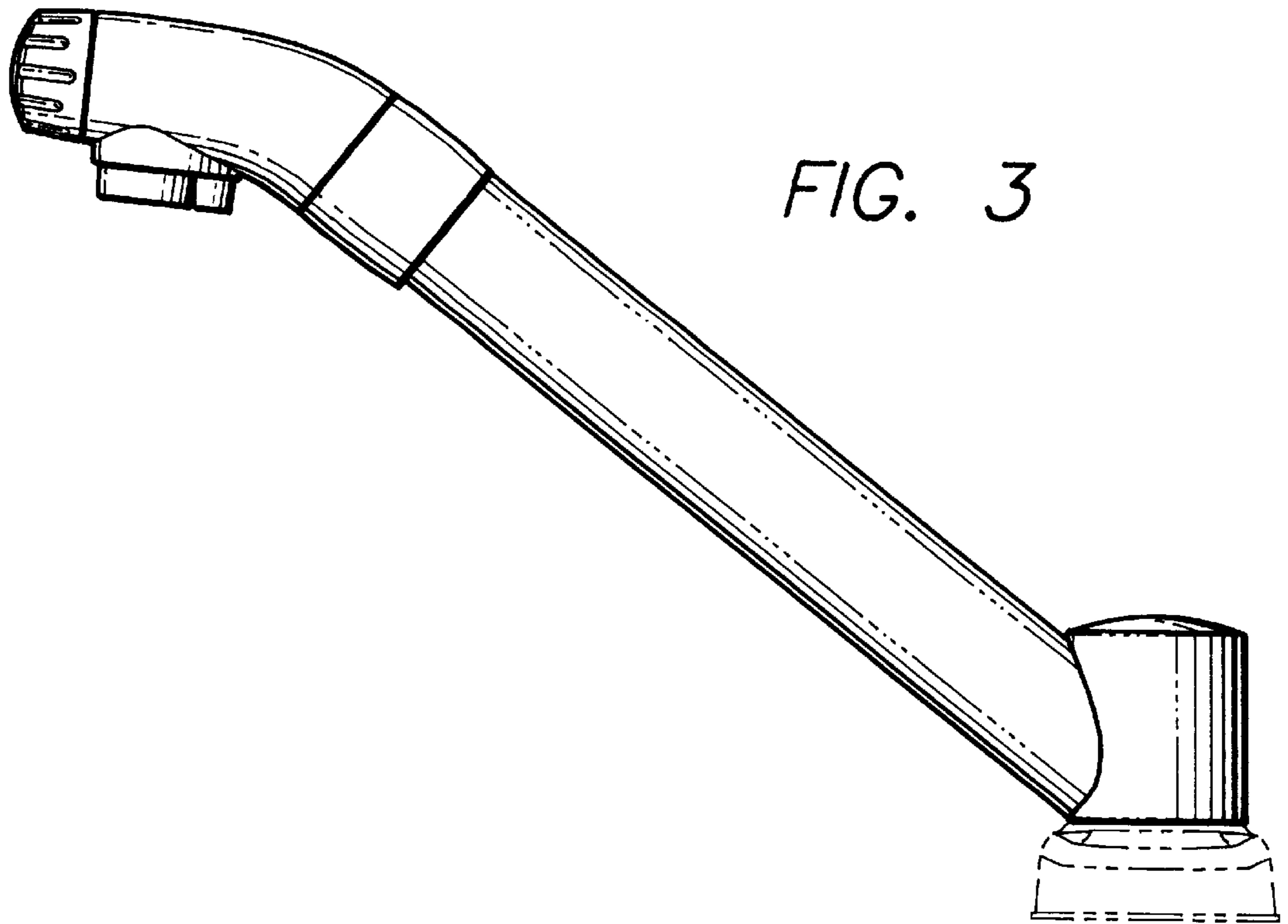


FIG. 3

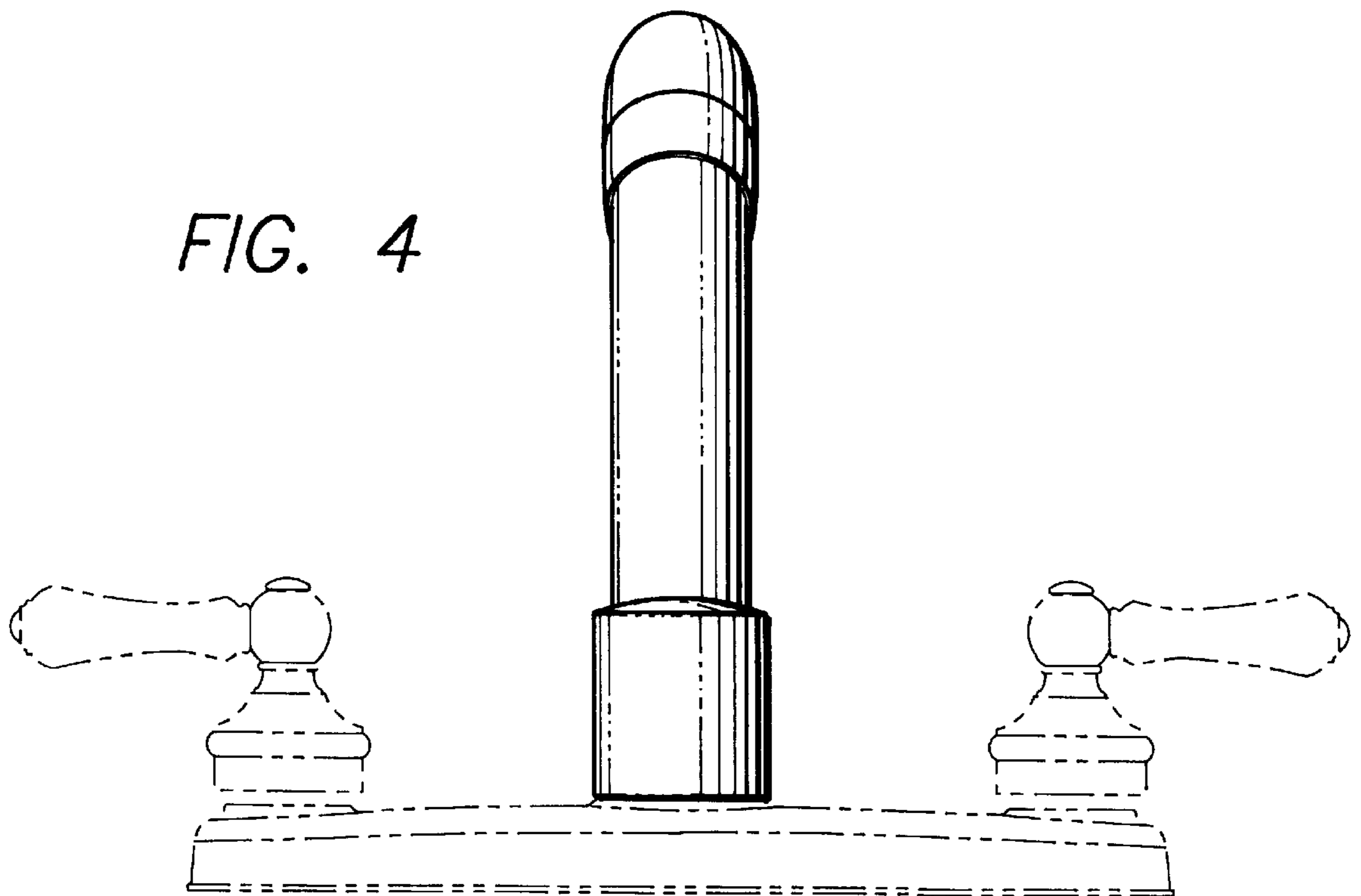


FIG. 4

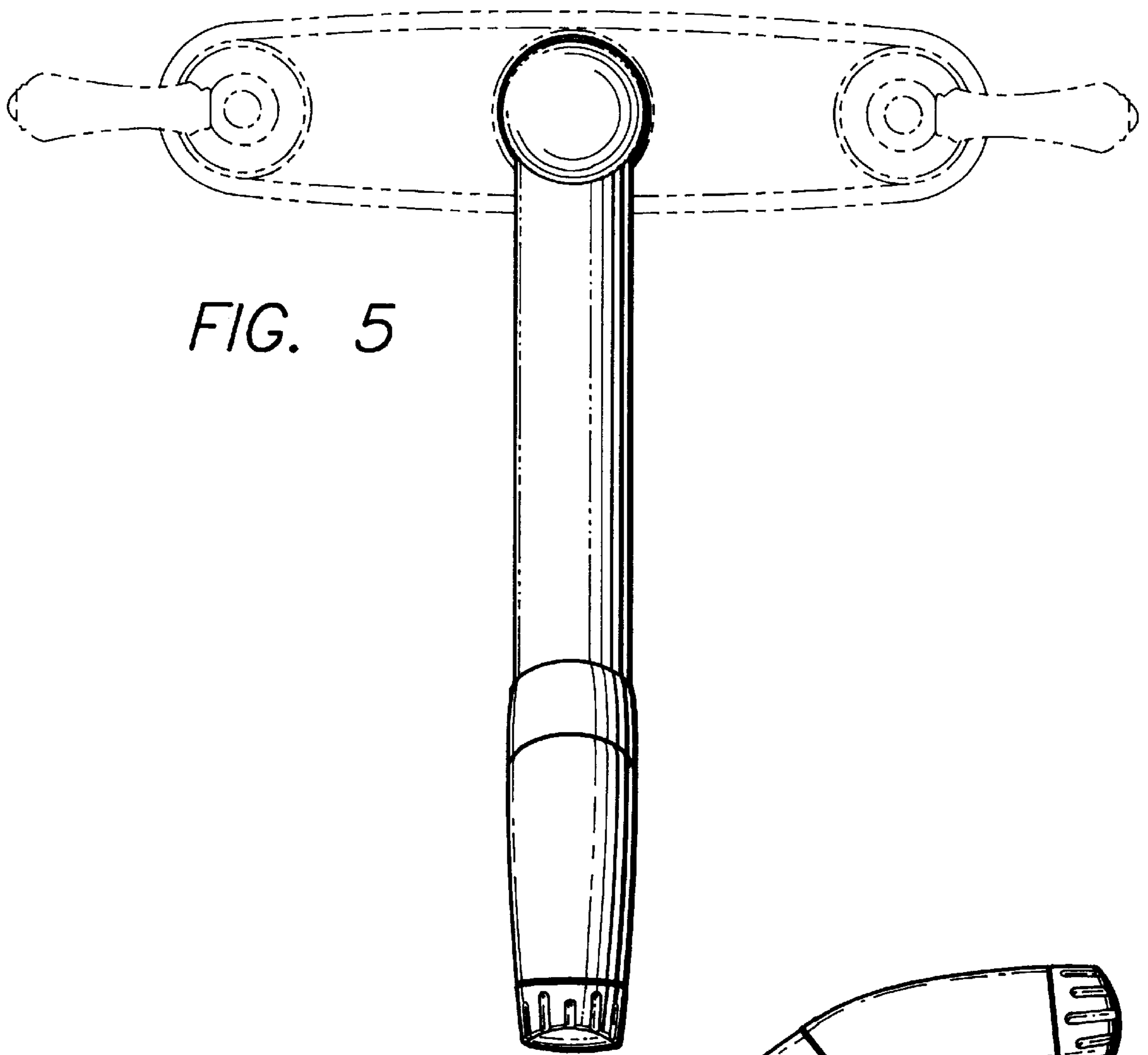


FIG. 5

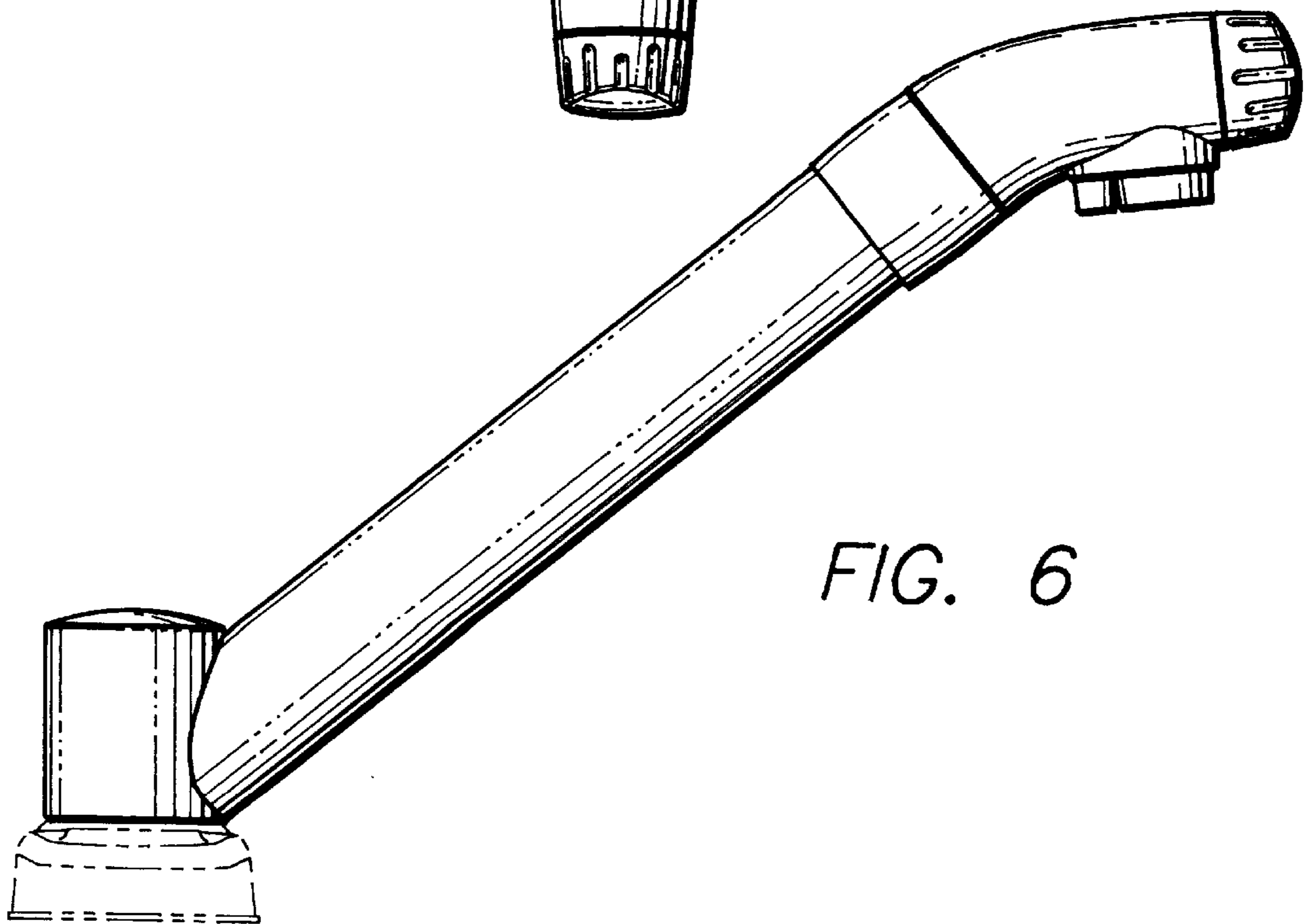


FIG. 6

FIG. 7

