



US00D399928S

# United States Patent [19]

Doughty et al.

[11] Patent Number: **Des. 399,928**

[45] Date of Patent: **\*\*Oct. 20, 1998**

[54] **SPOUT**

[75] Inventors: **Frederic C. Doughty**, South Pasadena;  
**Darren M. Mark**, Valencia; **Alvin Tolosa**, Ventura, all of Calif.

[73] Assignee: **Emhart Inc.**, Newark, Del.

[\*] Notice: The term of this patent shall not extend beyond the expiration date of Pat. No. D. 393,054.

[\*\*] Term: **14 Years**

[21] Appl. No.: **78,258**

[22] Filed: **Oct. 23, 1997**

[51] **LOC (6) Cl.** ..... **23-01**

[52] **U.S. Cl.** ..... **D23/255**

[58] **Field of Search** ..... D23/238-243,  
D23/250-257; 4/675-678; 137/801

## [56] References Cited

### U.S. PATENT DOCUMENTS

D. 358,869	5/1995	Mark et al.	.....	D23/238
D. 360,931	8/1995	Mark et al.	.....	D23/238
D. 367,698	3/1996	Haug et al.	.....	D23/238

D. 379,848	6/1997	Doughty et al.	.....	D23/255
D. 387,131	12/1997	Stort et al.	.....	D23/238
5,349,987	9/1994	Shieh .		

*Primary Examiner*—Louis S. Zarfaz  
*Assistant Examiner*—Eric Watterson  
*Attorney, Agent, or Firm*—Harold Weinstein

## [57] CLAIM

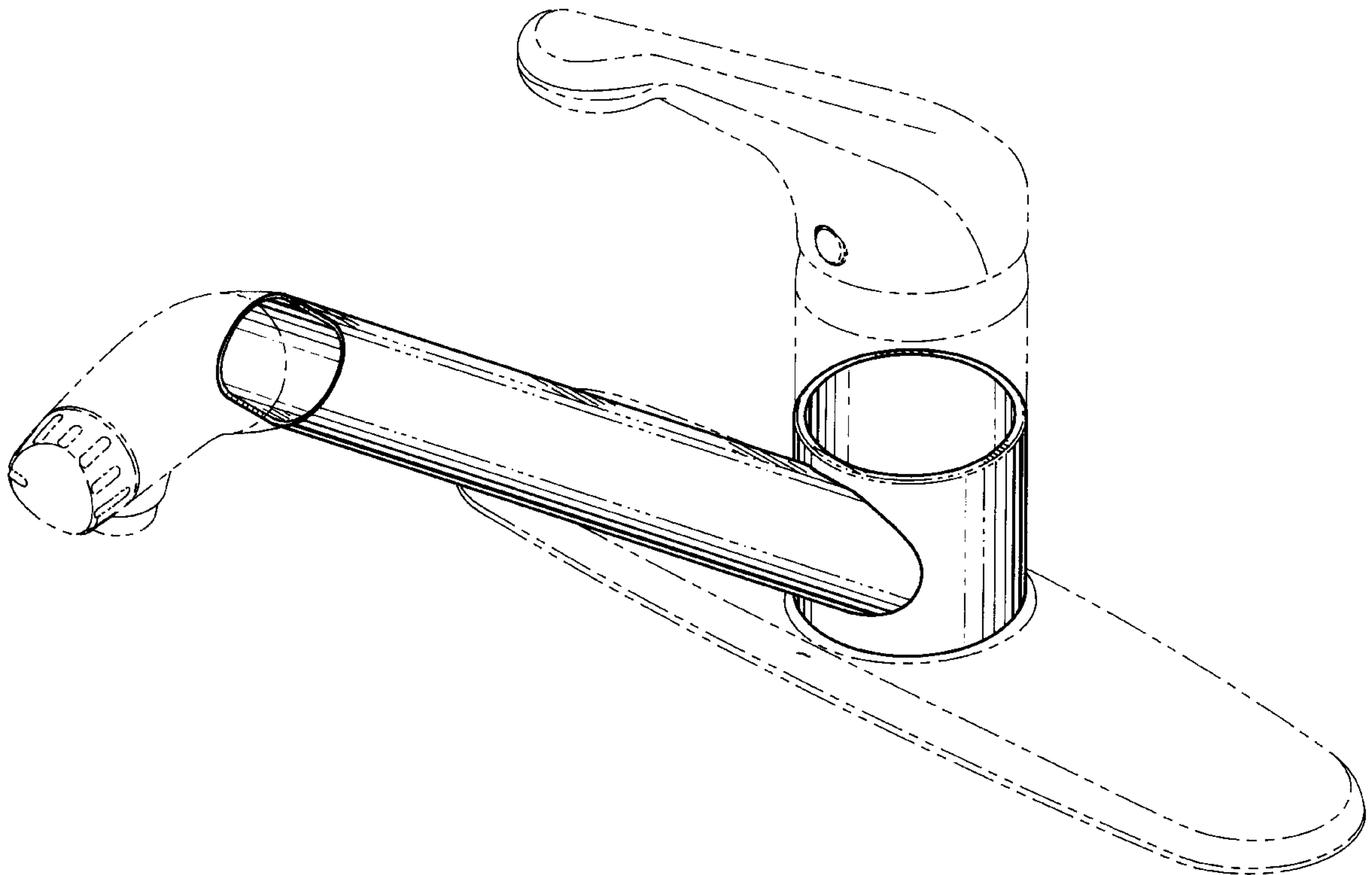
The ornamental design for spout, as shown and described.

## DESCRIPTION

FIG. 1 is a perspective view of our new design of the spout; FIG. 2 is a front elevational view of our new design of the spout; FIG. 3 is a rear elevational view of our new design of the spout; FIG. 4 is a top plan view of our new design of the spout; FIG. 5 is a bottom plan view of our new design of the spout; FIG. 6 is a right elevational view of our new design of the spout; and, FIG. 7 is a left elevational view of our new design of the spout.

The broken line representation in FIG. 1 of the drawings of the faucet base, handle and spout (partial) is for illustrative purposes only and forms no part of the claimed design.

**1 Claim, 4 Drawing Sheets**



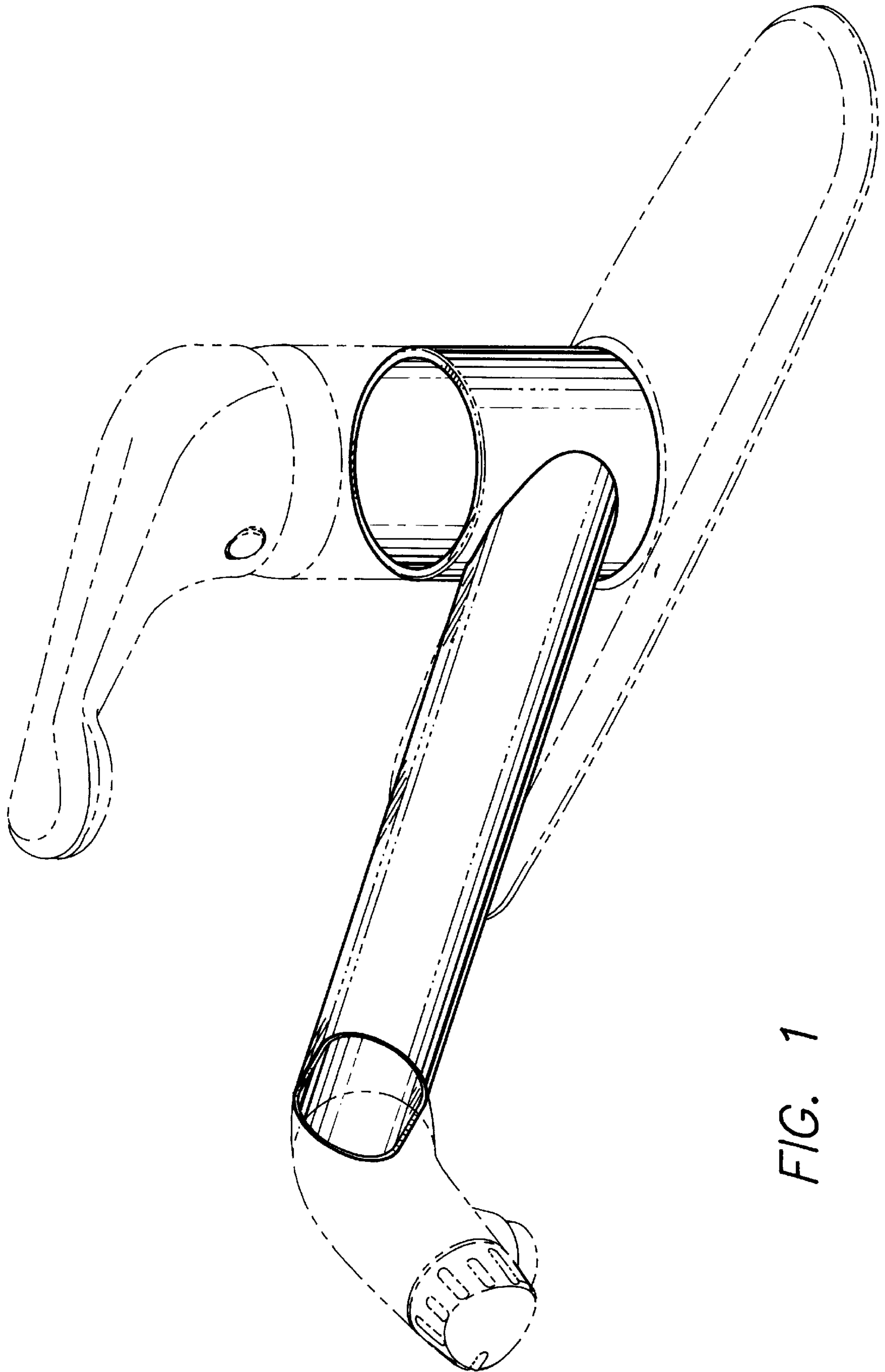


FIG. 1

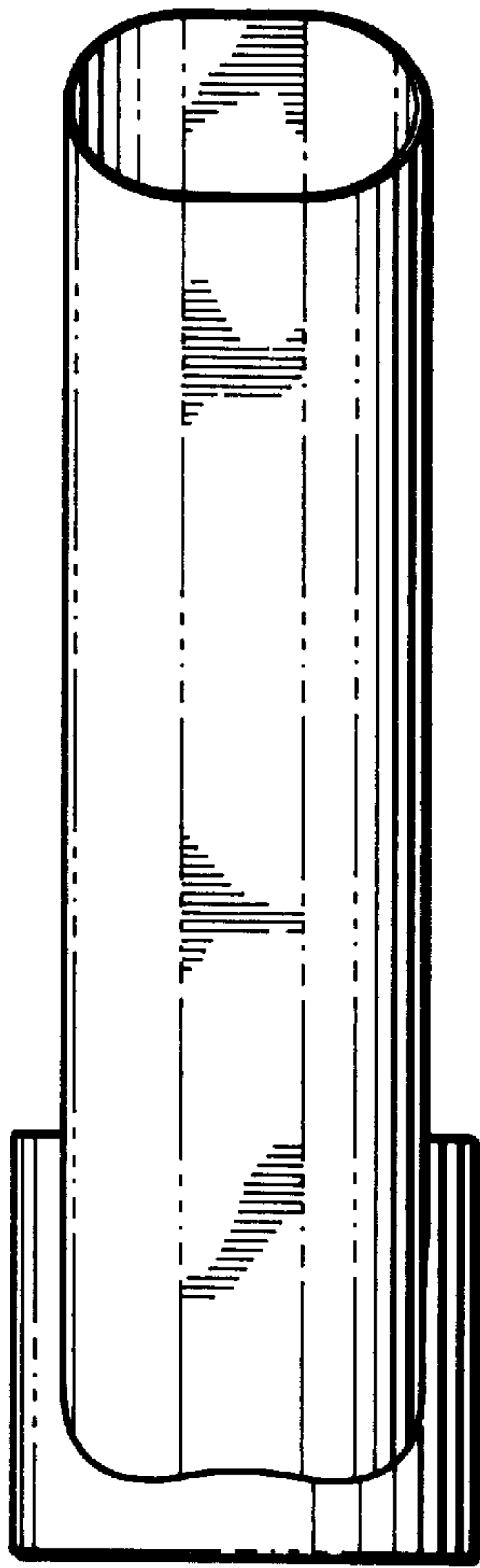


FIG. 2

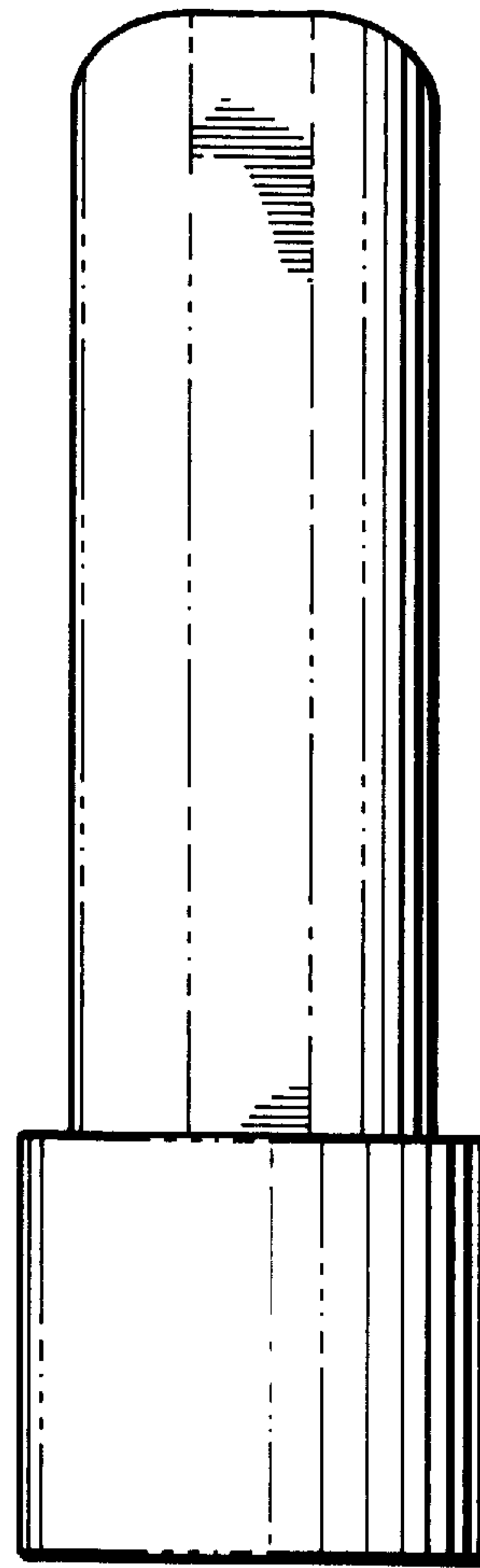
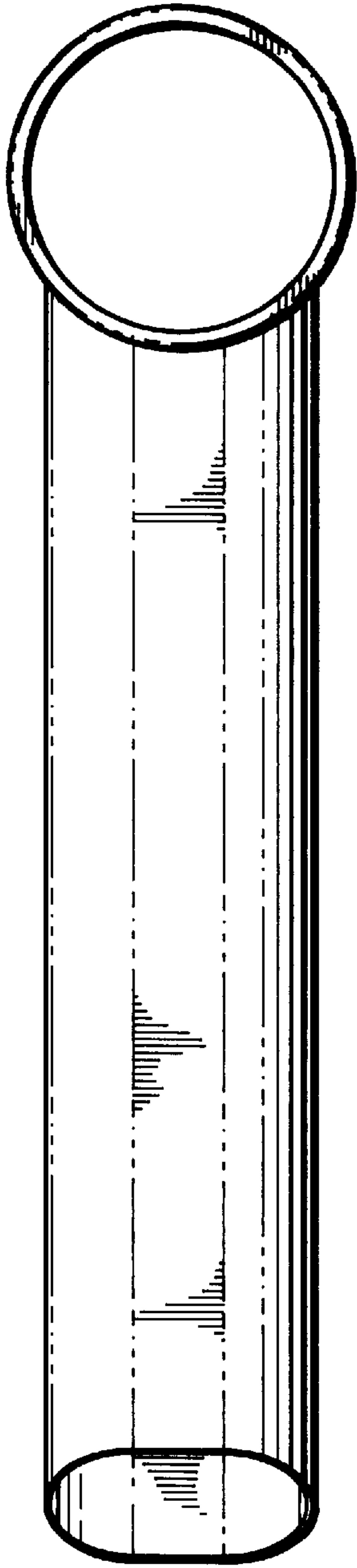
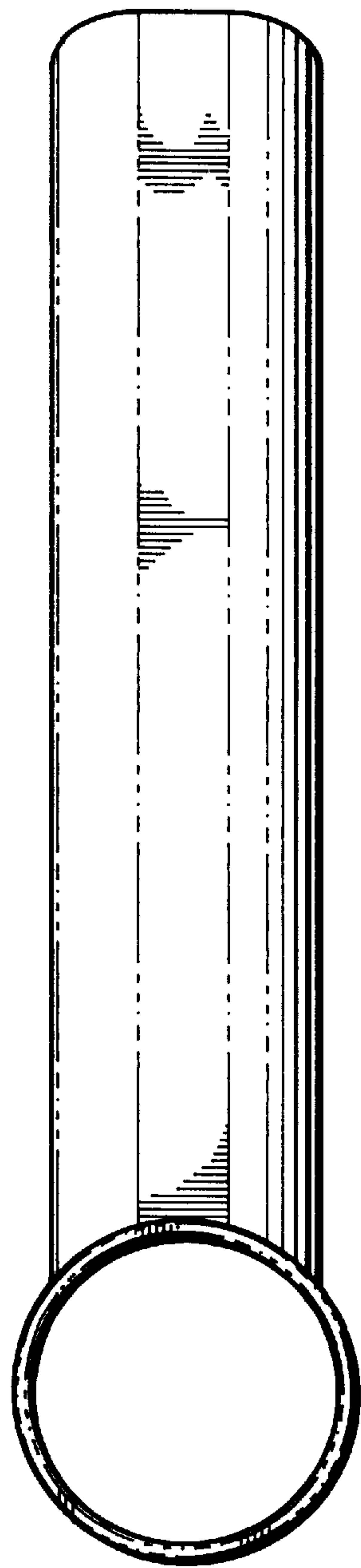


FIG. 3

*FIG. 4*



*FIG. 5*



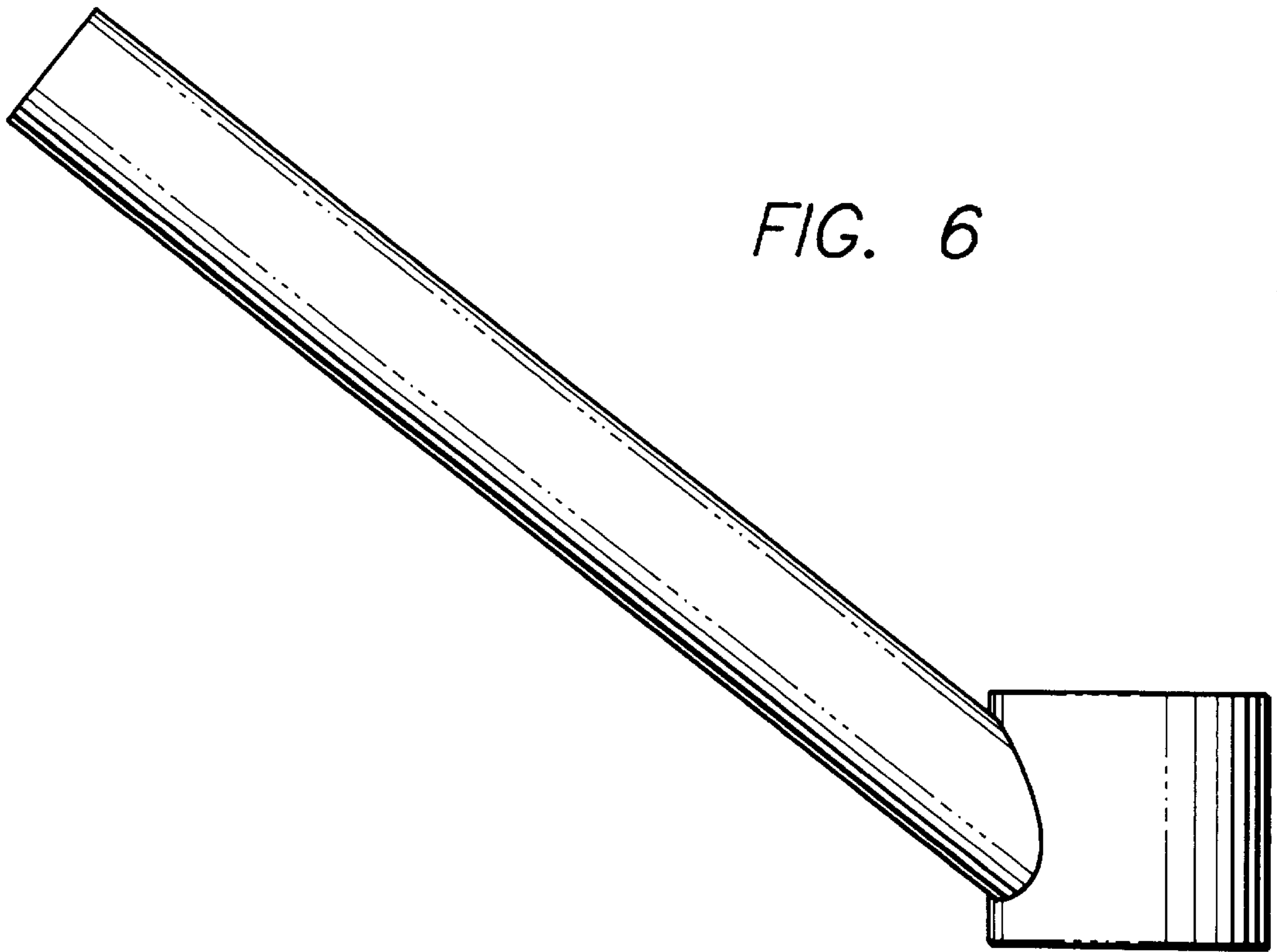


FIG. 6

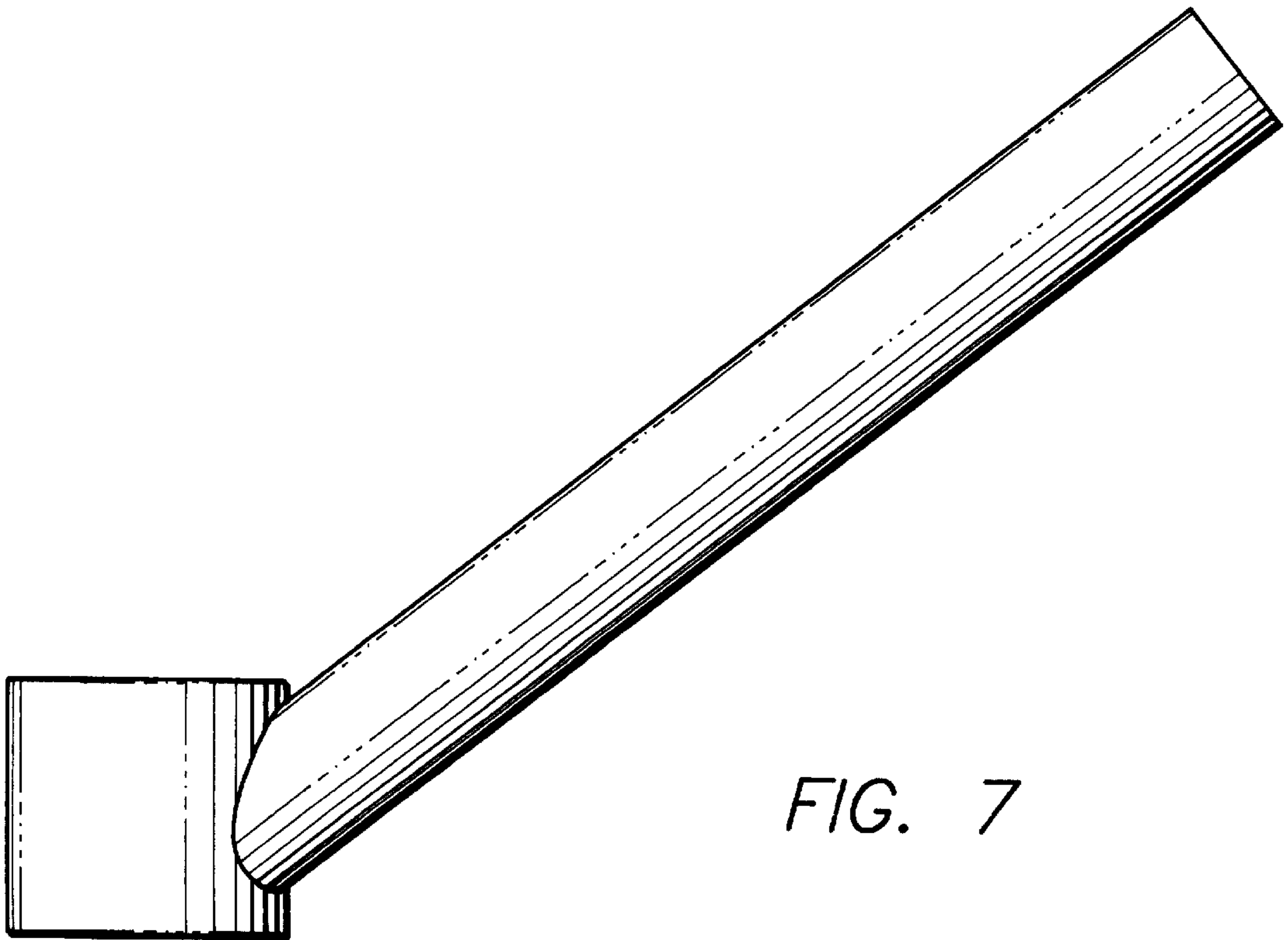


FIG. 7