



US00D399927S

# United States Patent [19]

Doughty et al.

[11] Patent Number: Des. 399,927

[45] Date of Patent: \*\*Oct. 20, 1998

[54] SPOUT

[75] Inventors: **Frederic C. Doughty**, South Pasadena;  
**Darren M. Mark**, Valencia; **Alvin Tolosa**, Ventura, all of Calif.

[73] Assignee: **Emhart Inc.**, Newark, Del.

[\*\*] Term: **14 Years**

[21] Appl. No.: **78,256**

[22] Filed: **Oct. 23, 1997**

[51] **LOC (6) Cl.** ..... **23-01**

[52] **U.S. Cl.** ..... **D23/255**

[58] **Field of Search** ..... D23/238-243,  
D23/250-257; 4/675-678; 137/801

[56] **References Cited**

**U.S. PATENT DOCUMENTS**

D. 258,519	3/1981	Thevenot	.....	D23/255
D. 279,923	7/1985	Niemann et al.	.....	D23/255
D. 288,837	3/1987	Yost	.....	D23/243
D. 296,461	6/1988	Yost	.....	D23/241
D. 324,905	3/1992	Caretien	.....	D23/238
D. 344,127	2/1994	Carr et al.	.....	D23/238
D. 367,211	2/1996	Hill et al.	.....	D23/238

*Primary Examiner*—Louis S. Zarfes  
*Assistant Examiner*—Eric Watterson  
*Attorney, Agent, or Firm*—Harold Weinstein

[57] **CLAIM**

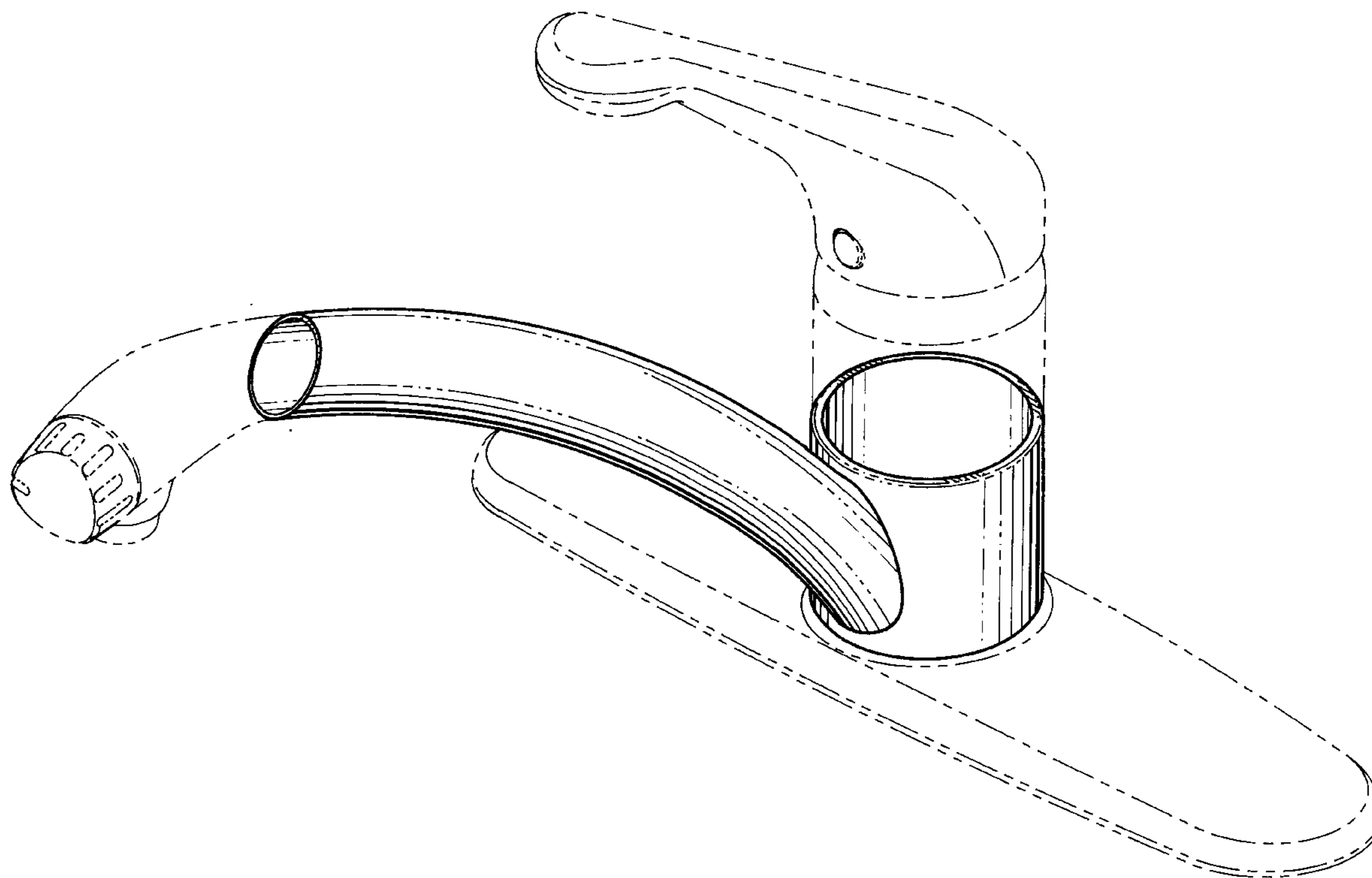
The ornamental design for spout, as shown and described.

**DESCRIPTION**

FIG. 1 is a perspective view of our new design of the spout; FIG. 2 is a front elevational view of our new design of the spout; FIG. 3 is a rear elevational view of our new design of the spout; FIG. 4 is a top plan elevational view of our new design of the spout; FIG. 5 is a bottom elevational view of our new design of the spout; FIG. 6 is a right elevational view of our new design of the spout; and, FIG. 7 is a left elevational view of our new design of the spout.

The broken line representation in FIG. 1 of the drawings of the faucet base, handle and spout (partial) is for illustrative purposes only and forms no part of the claimed design.

**1 Claim, 4 Drawing Sheets**



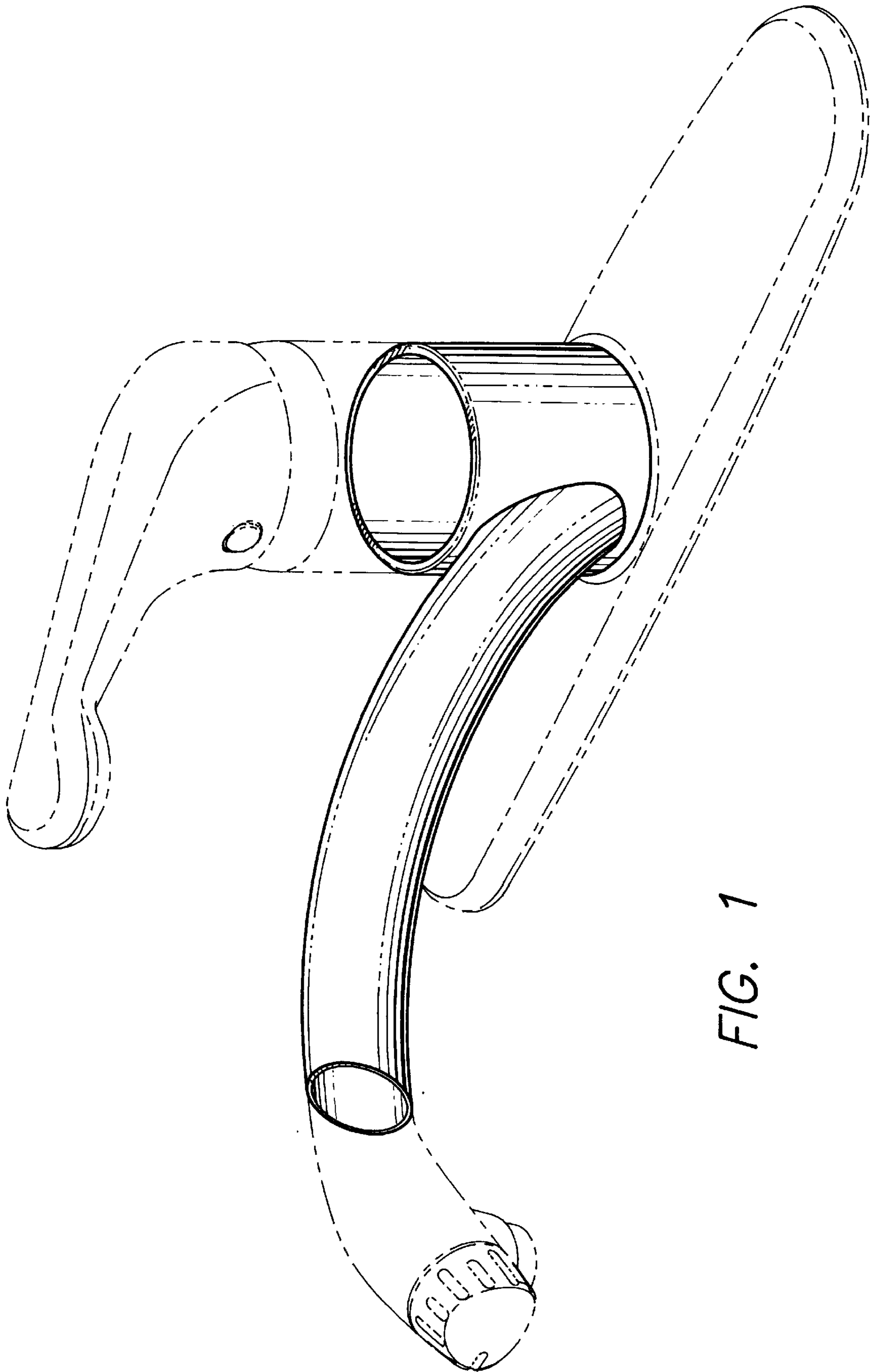
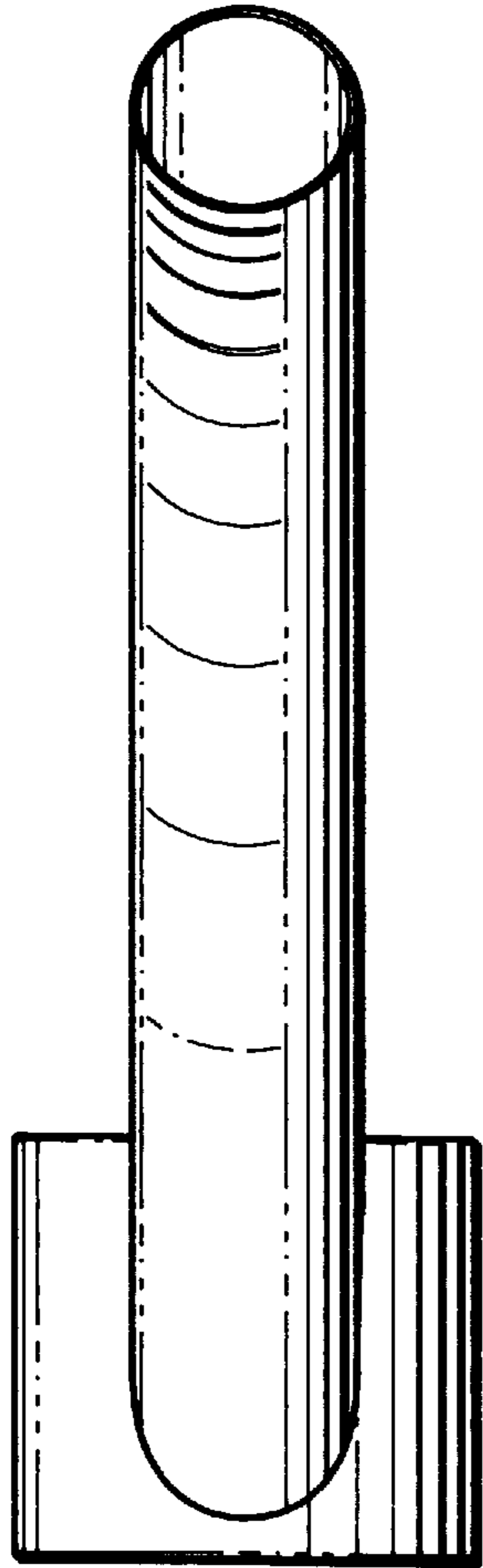
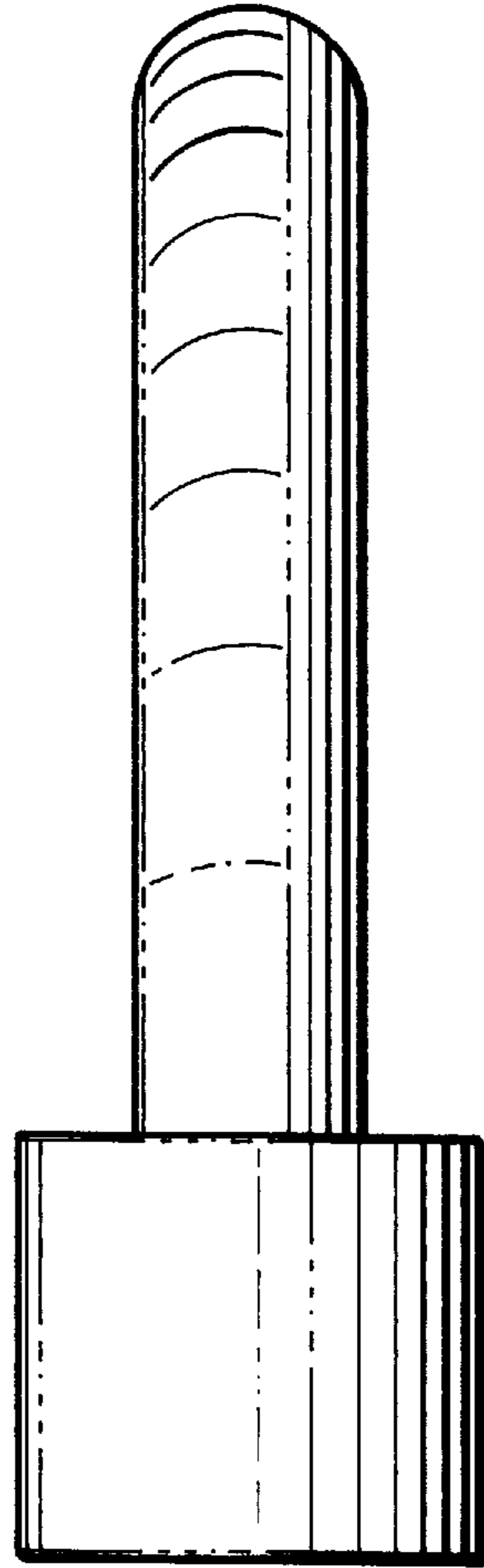


FIG. 1



*FIG. 2*



*FIG. 3*

FIG. 4

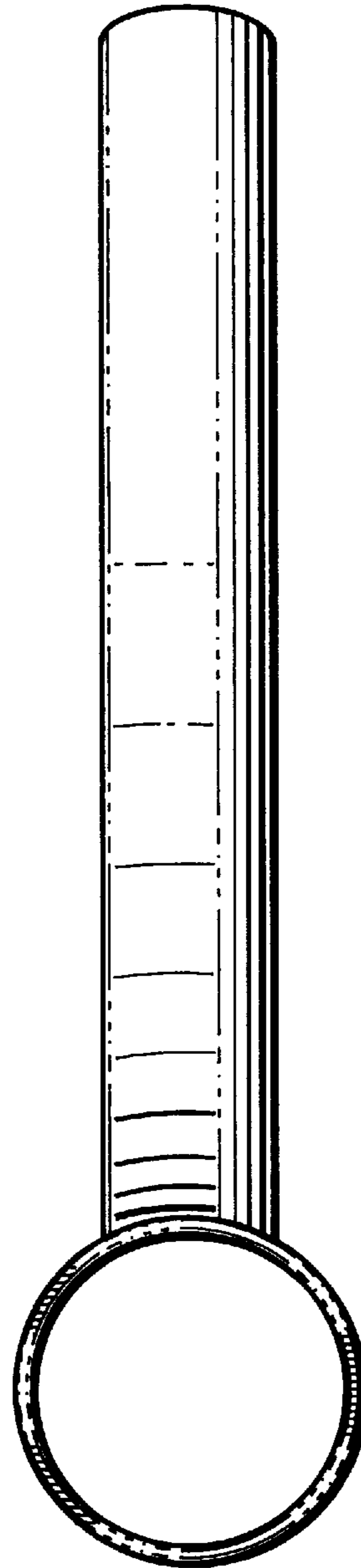
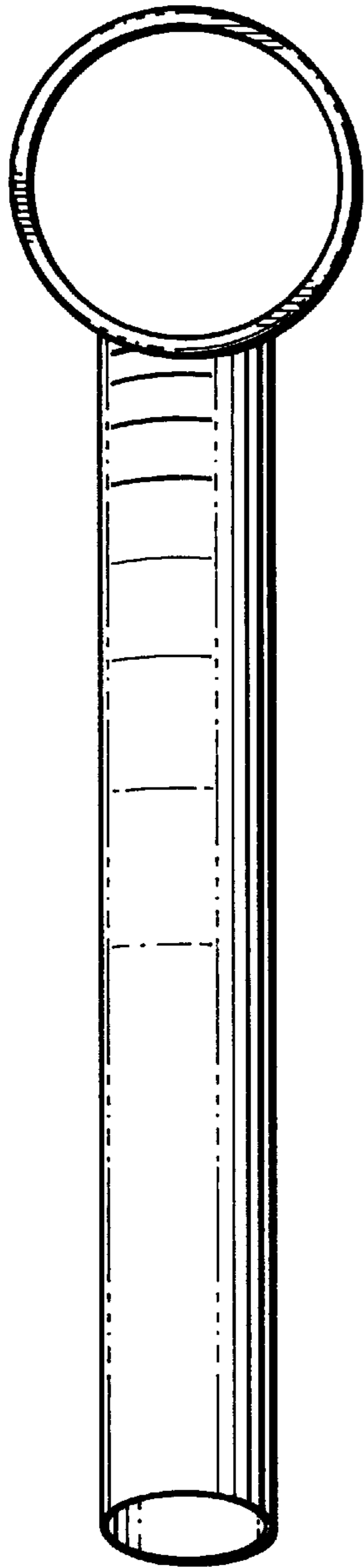


FIG. 5

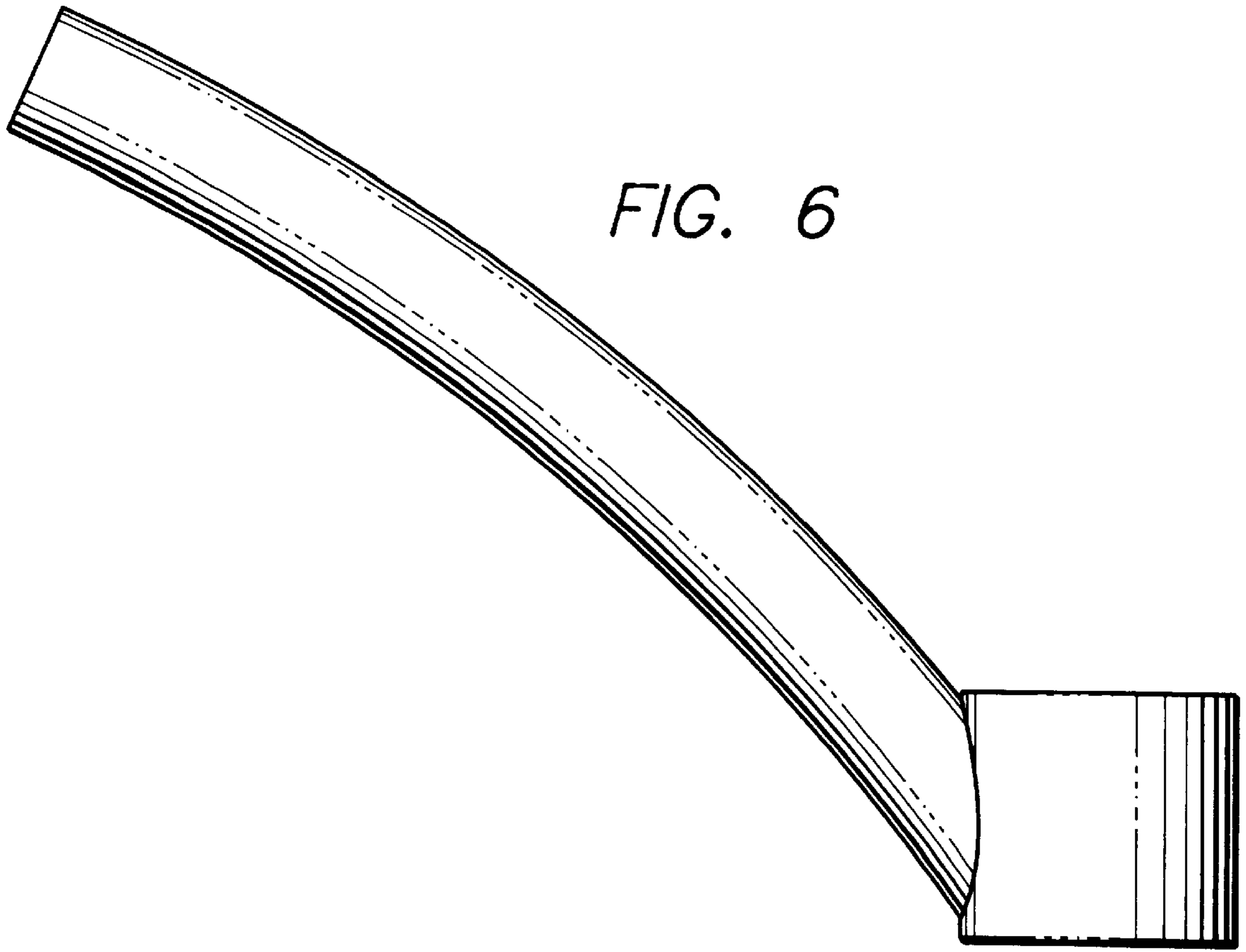


FIG. 6

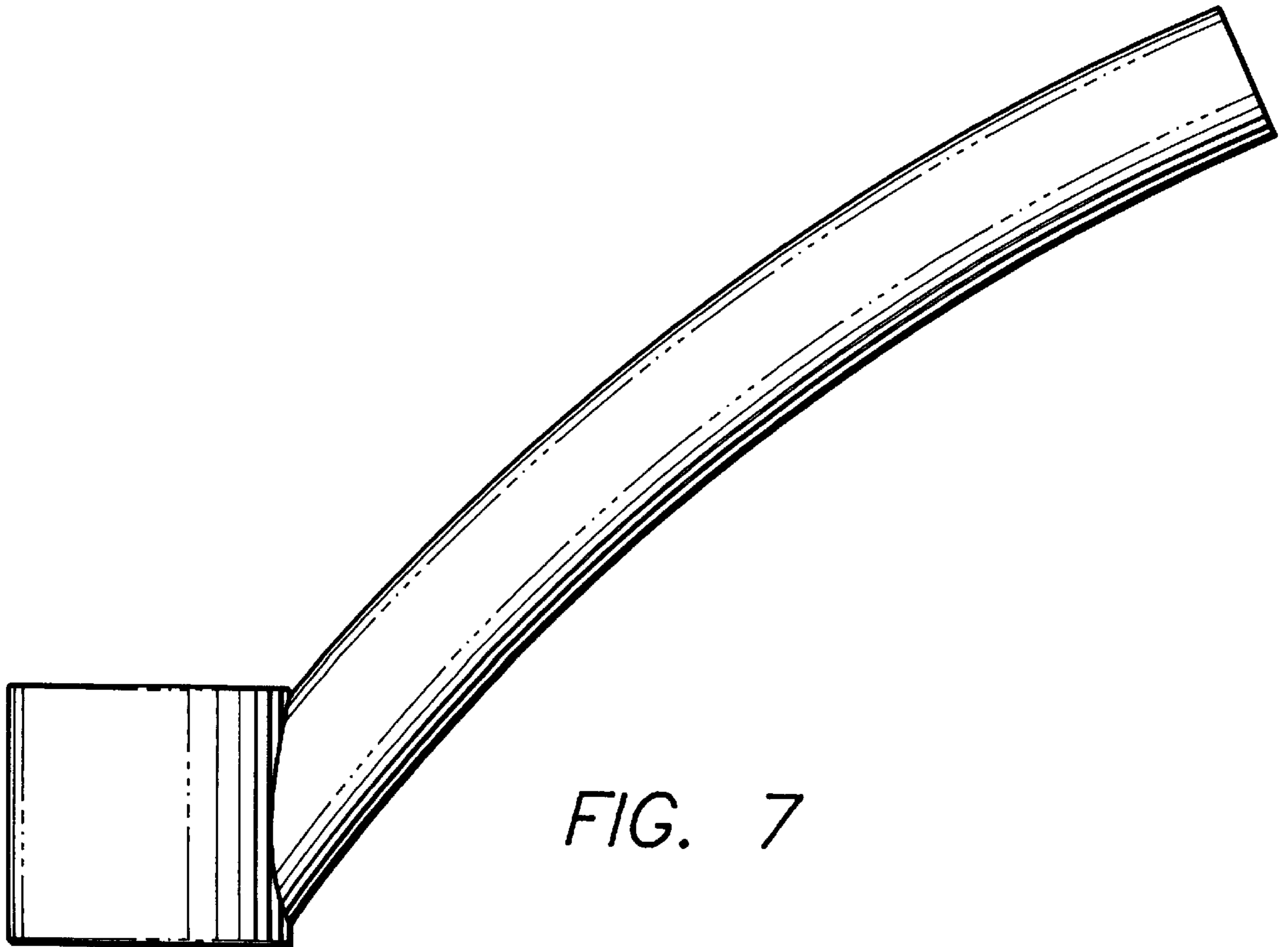


FIG. 7