



US00D399925S

**United States Patent** [19]  
**Lord**

[11] **Patent Number: Des. 399,925**

[45] **Date of Patent: \*\*Oct. 20, 1998**

[54] **TWO HANDLE FAUCET**

[75] Inventor: **Judd A. Lord**, Carmel, Ind.

[73] Assignee: **Masco Corporation of Indiana**, Indianapolis, Ind.

[\*\*] Term: **14 Years**

[21] Appl. No.: **80,338**

[22] Filed: **Dec. 4, 1997**

[51] **LOC (6) Cl.** ..... **23-01**

[52] **U.S. Cl.** ..... **D23/241**

[58] **Field of Search** ..... D23/238-243,  
D23/250-257; D8/300-308; 4/675-678;  
137/801

[56] **References Cited**

**U.S. PATENT DOCUMENTS**

D. 235,546	6/1975	Landell	.....	D23/241
D. 293,362	12/1987	Hill et al.	.....	D23/241
D. 296,461	6/1988	Yost	.....	D23/241
D. 380,252	6/1997	Abel	.....	D23/241
D. 381,404	7/1997	Doughty et al.	.....	D23/241
D. 387,416	12/1997	Chin	.....	D23/241

*Primary Examiner*—Louis S. Zarfes

*Assistant Examiner*—Eric Watterson

*Attorney, Agent, or Firm*—Myron B. Kapustij; Malcolm L. Sutherland

[57] **CLAIM**

The ornamental design for a two handle faucet, as shown and described.

**DESCRIPTION**

FIG. 1 is a front perspective view of a two handle faucet showing my new design;

FIG. 2 is a rear perspective view thereof;

FIG. 3 is a top plan view thereof;

FIG. 4 is a front elevational view thereof;

FIG. 5 is a right side elevational view thereof, the left side being a mirror image;

FIG. 6 is a rear elevational view thereof;

FIG. 7 is a bottom plan view thereof;

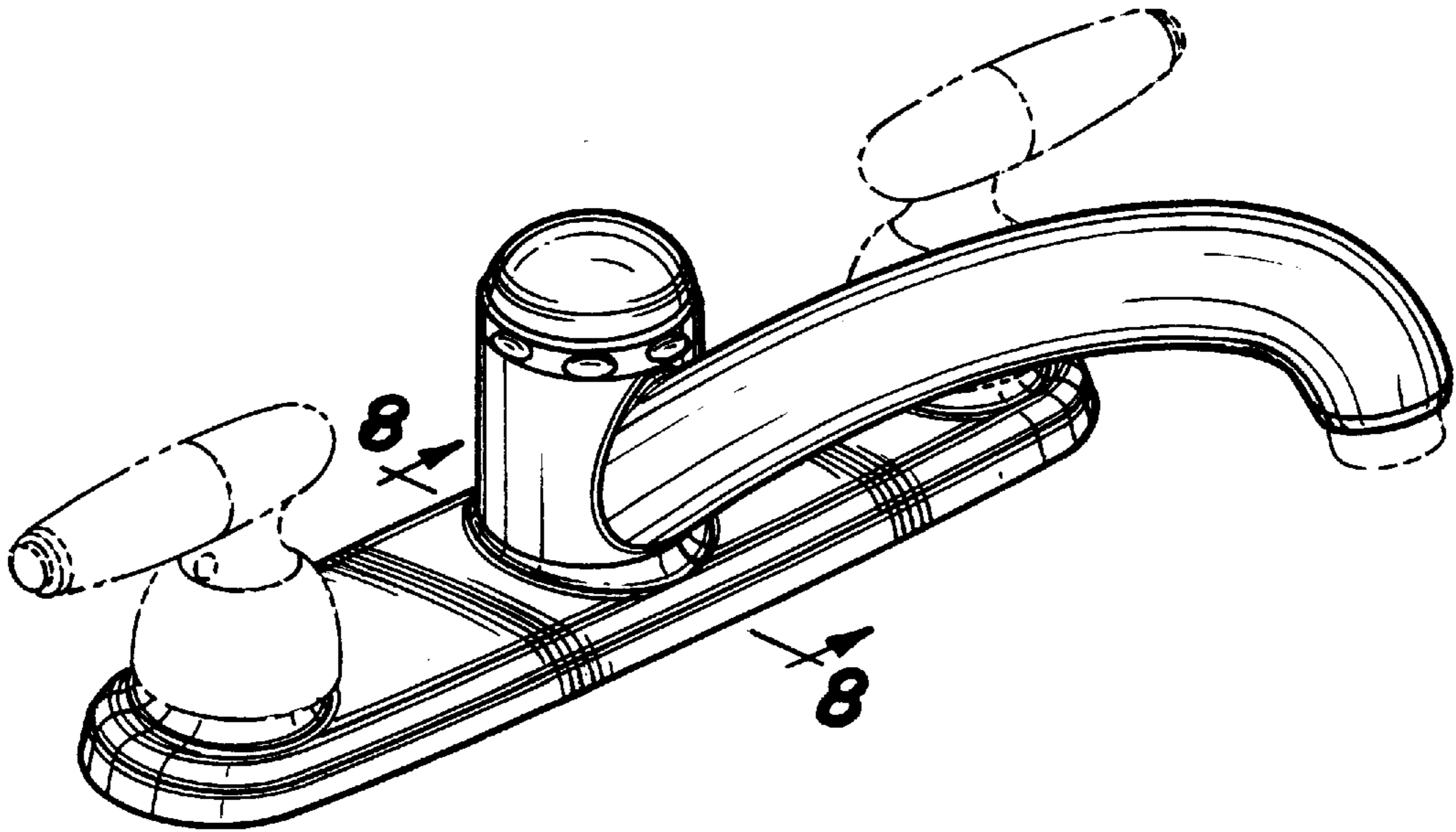
FIG. 8 is a cross-sectional view taken along line 8—8 in FIG. 1;

FIG. 9 is a cross-sectional view taken along line 9—9 in FIG. 2; and,

FIG. 10 is a cross-sectional view taken along line 10—10 in FIG. 2.

The broken line showings of the aerator in FIGS. 1-2, 4-5 and 7, and of the handles in FIGS. 1-4 and 6 are for purposes of illustration only and form no part of the claimed design.

**1 Claim, 4 Drawing Sheets**



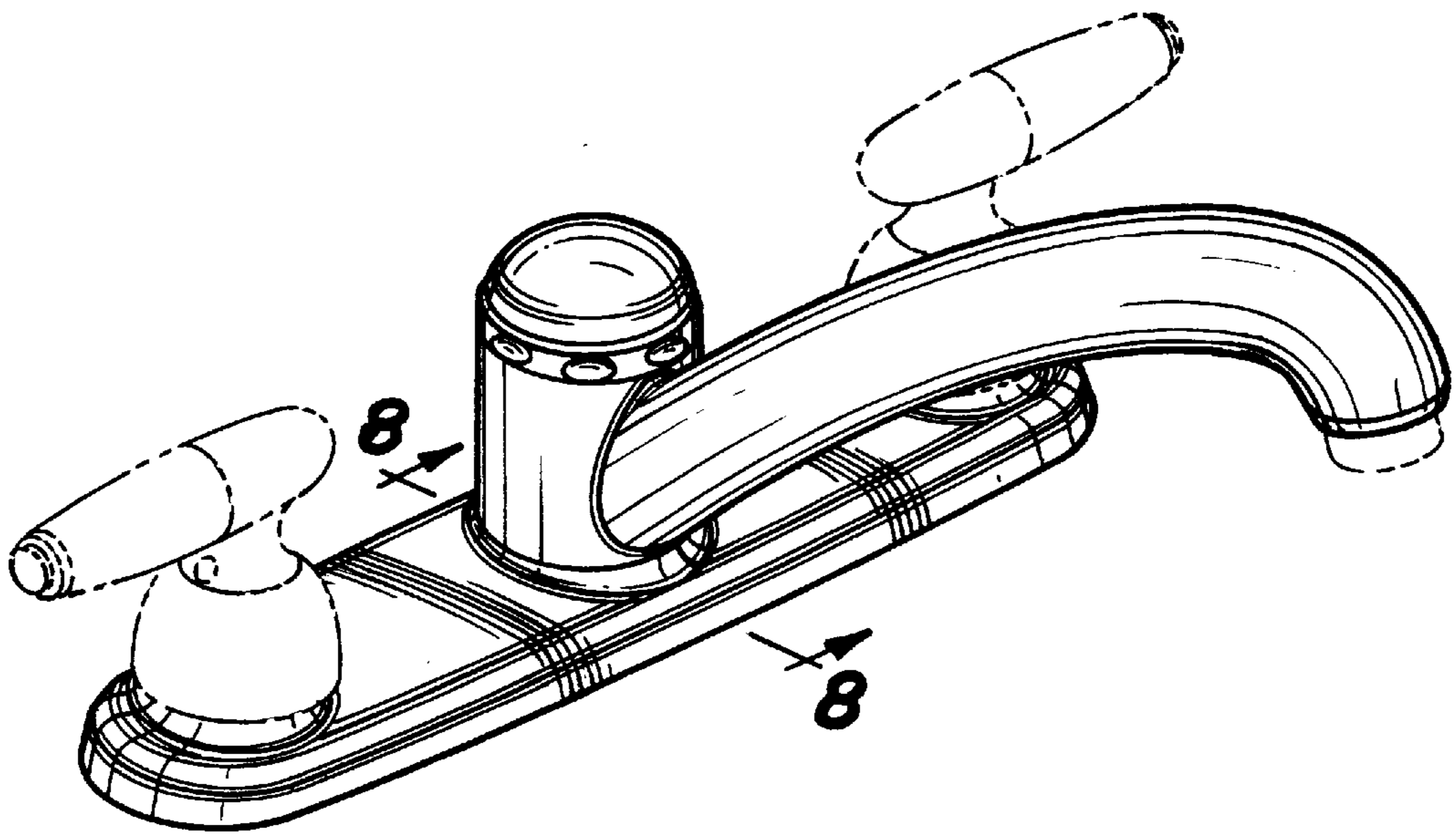


Fig-1

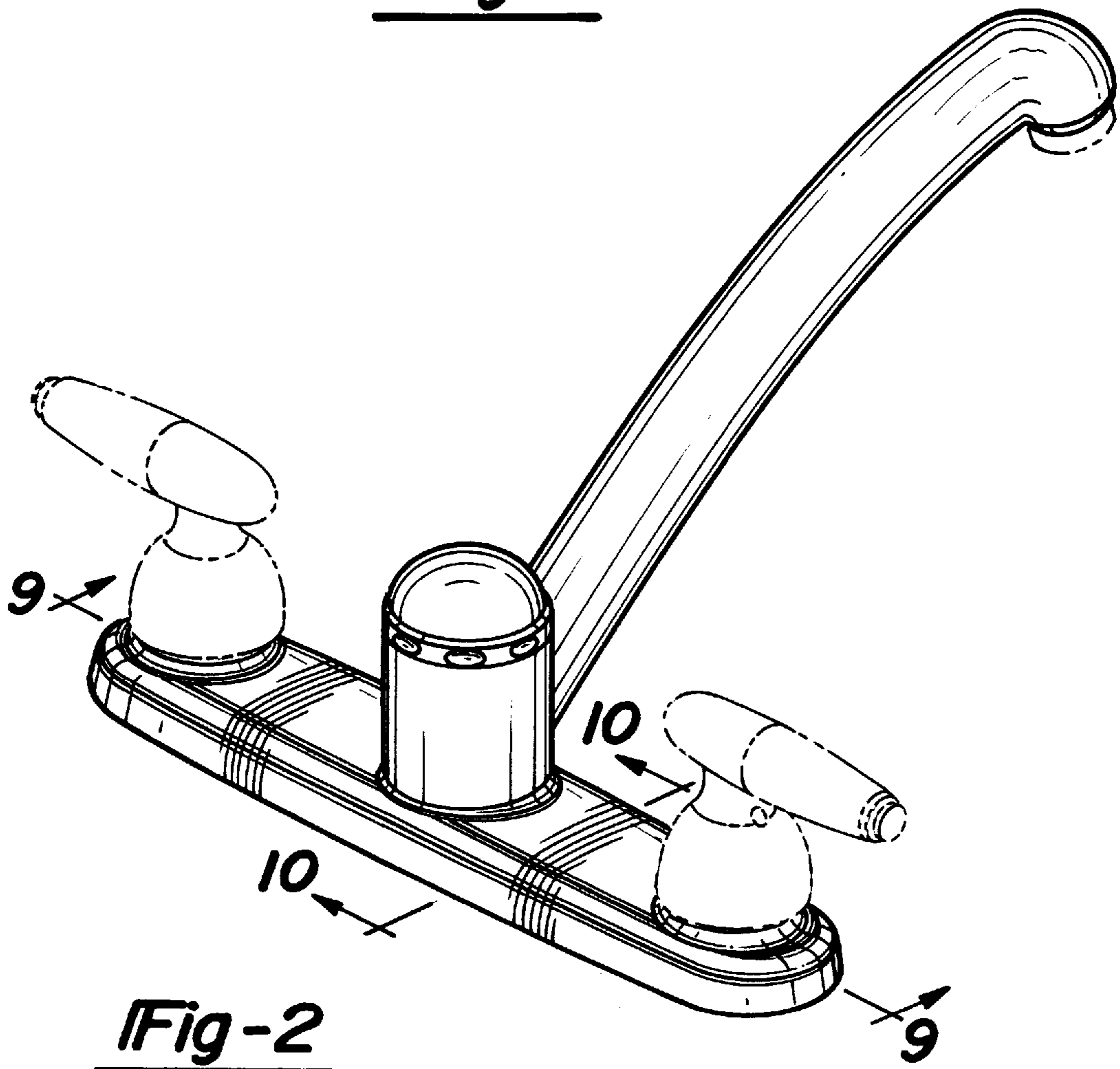


Fig-2

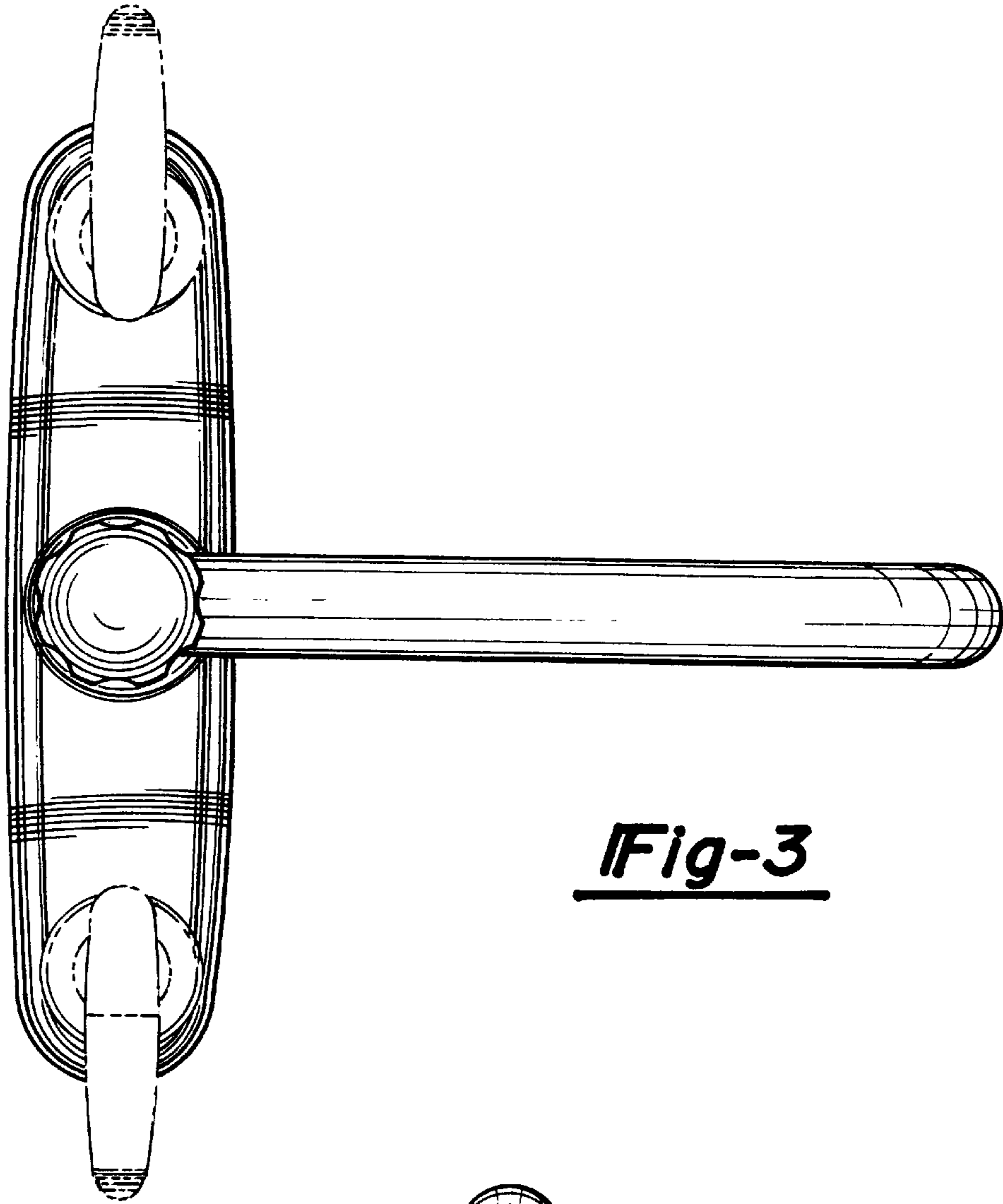


Fig-3

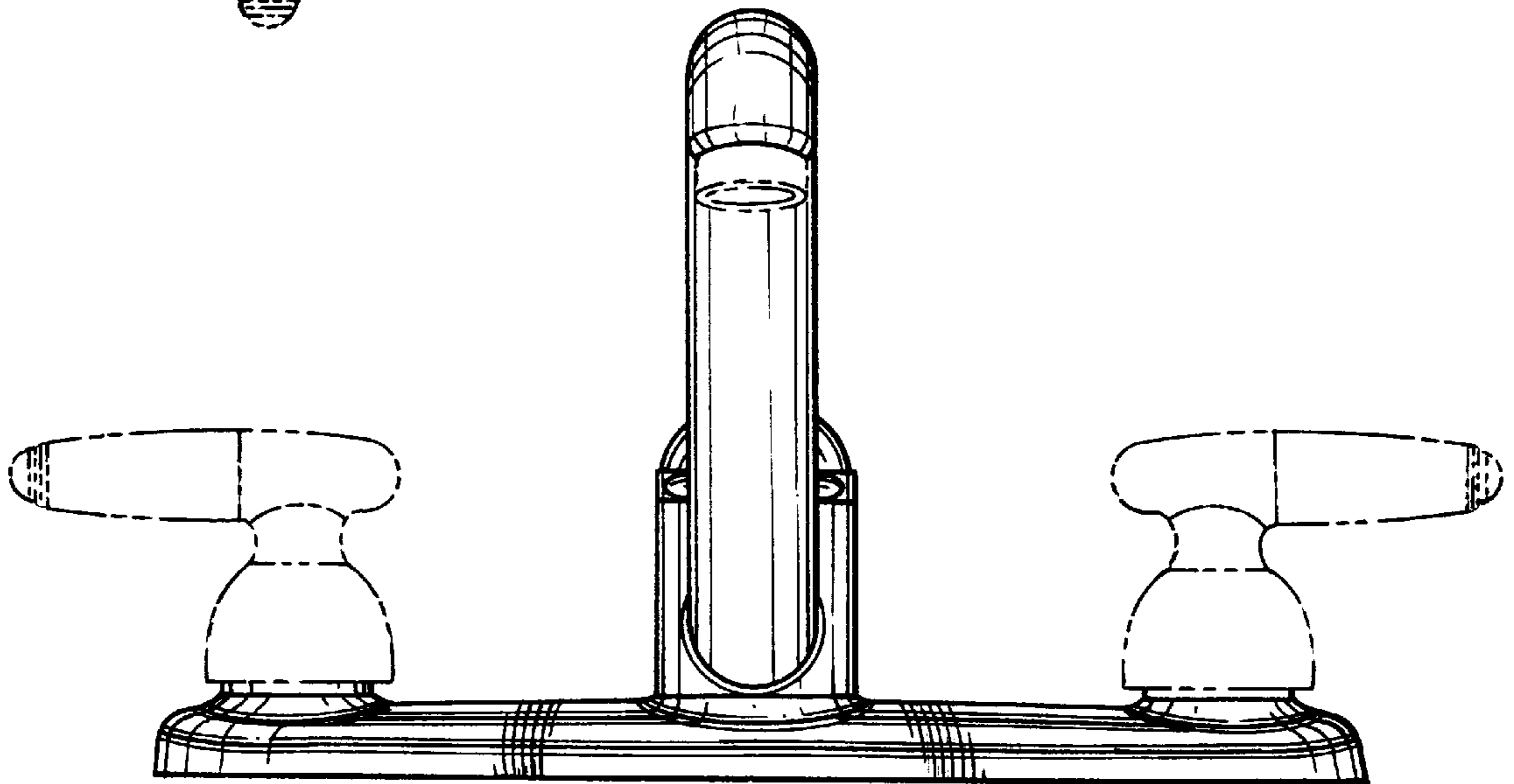
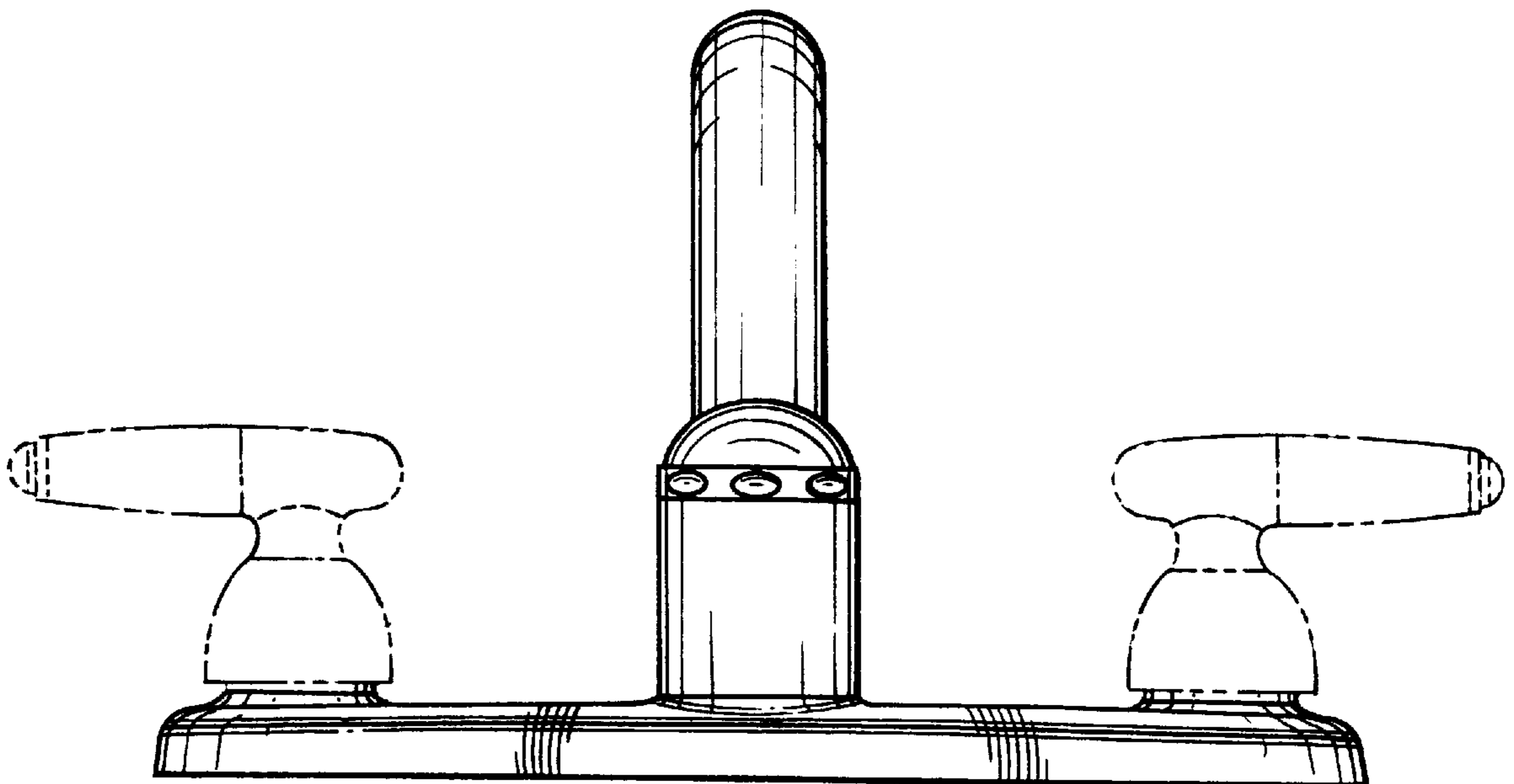
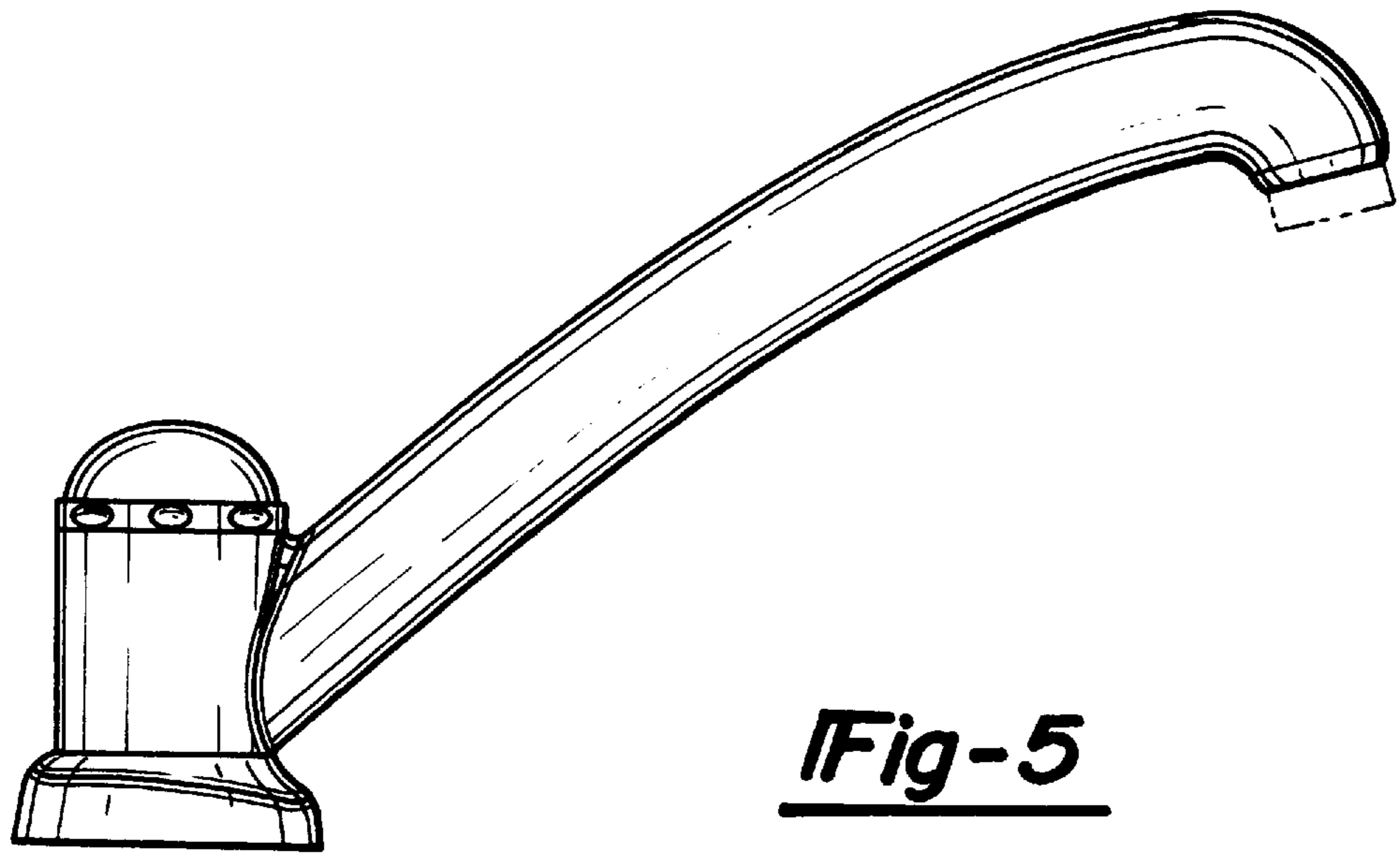


Fig-4



**Fig-6**

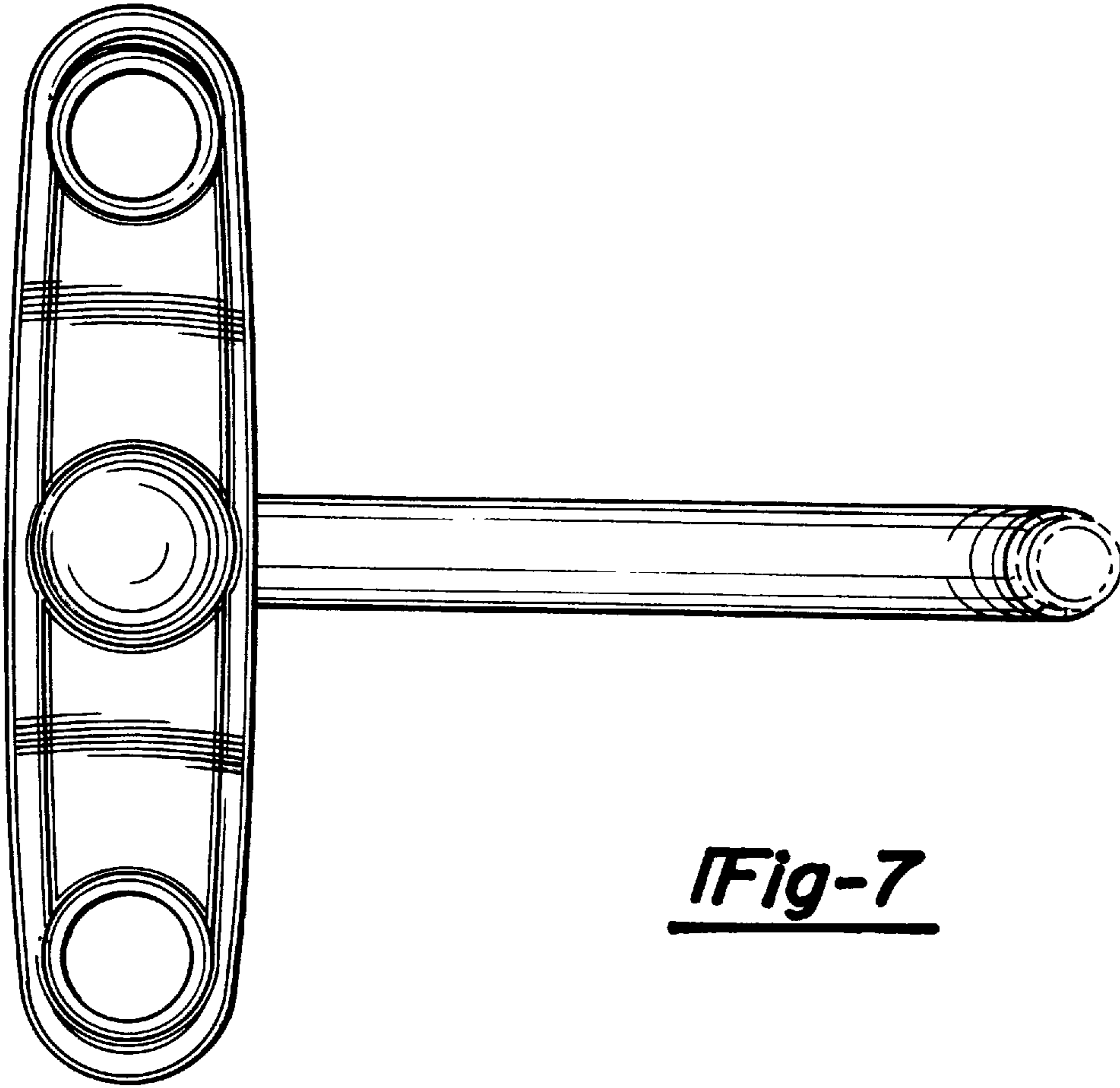


Fig-7

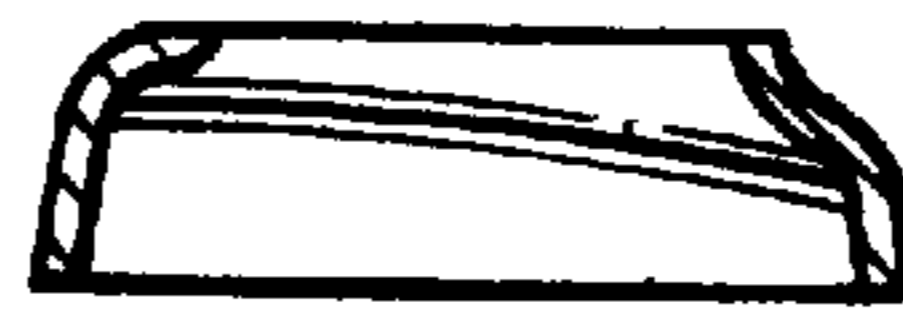


Fig-8



Fig-10

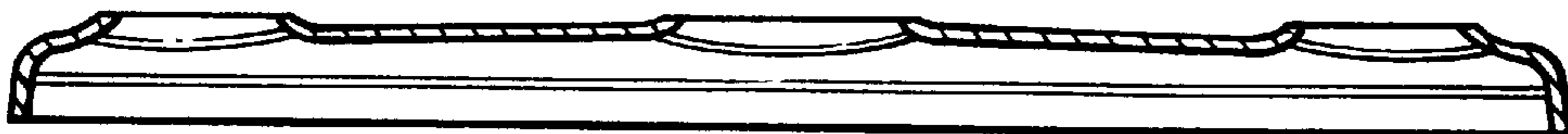


Fig-9