



US00D399924S

United States Patent [19] Lord

[11] **Patent Number: Des. 399,924**

[45] **Date of Patent: **Oct. 20, 1998**

[54] **TWO HANDLE FAUCET**

[75] Inventor: **Judd A. Lord**, Carmel, Ind.

[73] Assignee: **Masco Corporation of Indiana**, Indianapolis, Ind.

[**] Term: **14 Years**

[21] Appl. No.: **80,838**

[22] Filed: **Dec. 4, 1997**

[51] **LOC (6) Cl.** **23-01**

[52] **U.S. Cl.** **D23/241**

[58] **Field of Search** D23/238-243,
D23/250-257; D8/300-308; 4/675-678

[56] **References Cited**

U.S. PATENT DOCUMENTS

D. 235,546	6/1975	Landell	D23/241
D. 293,362	12/1987	Hill et al.	D23/241
D. 296,461	6/1988	Yost	D23/241
D. 380,252	6/1997	Abel	D23/241
D. 381,404	7/1997	Doughty et al.	D23/241
D. 387,416	12/1997	Chin	D23/241

Primary Examiner—Louis S. Zarfes
Assistant Examiner—Eric Watterson

Attorney, Agent, or Firm—Myron B. Kapustij; Malcolm L. Sutherland

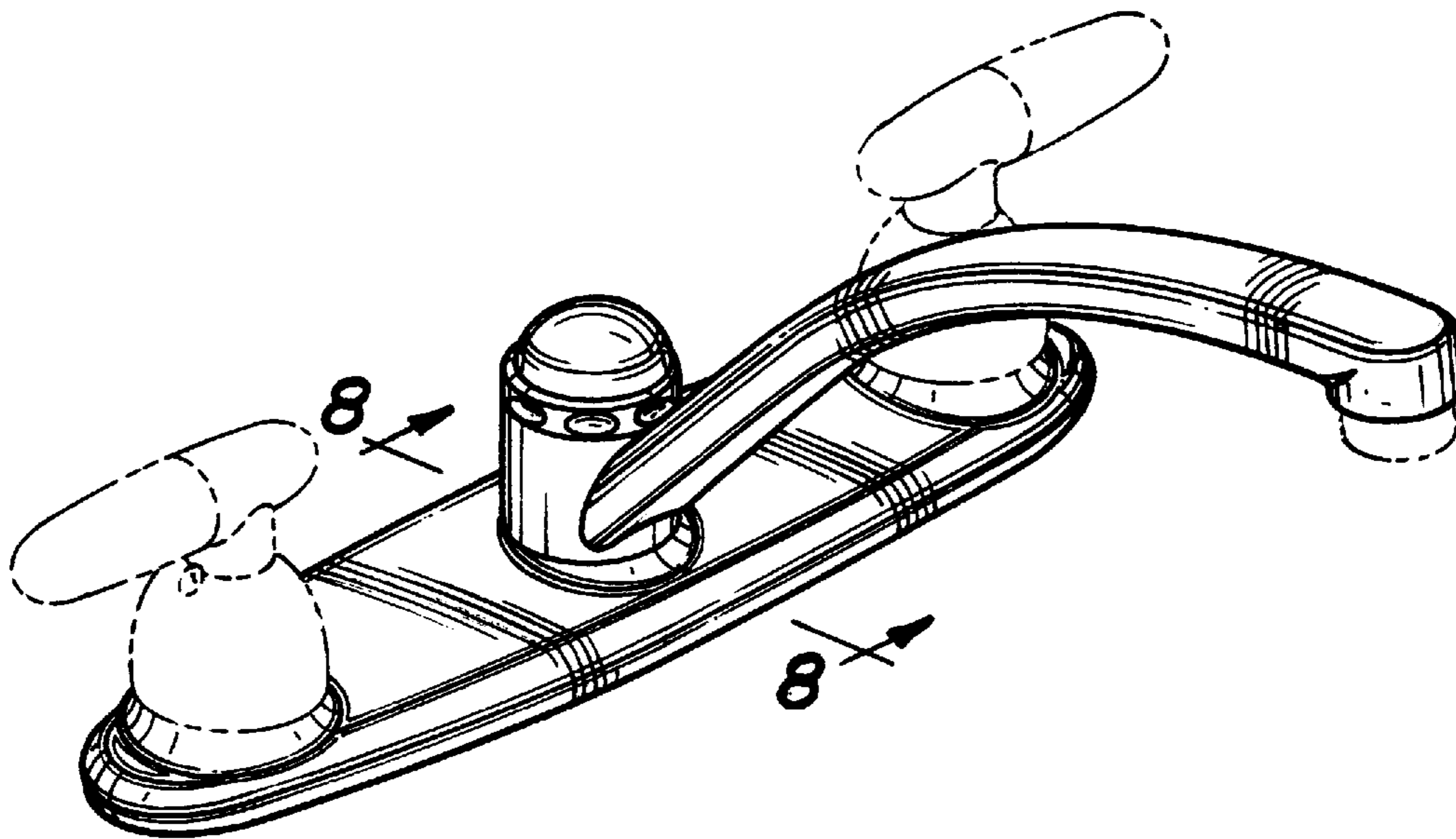
[57] **CLAIM**

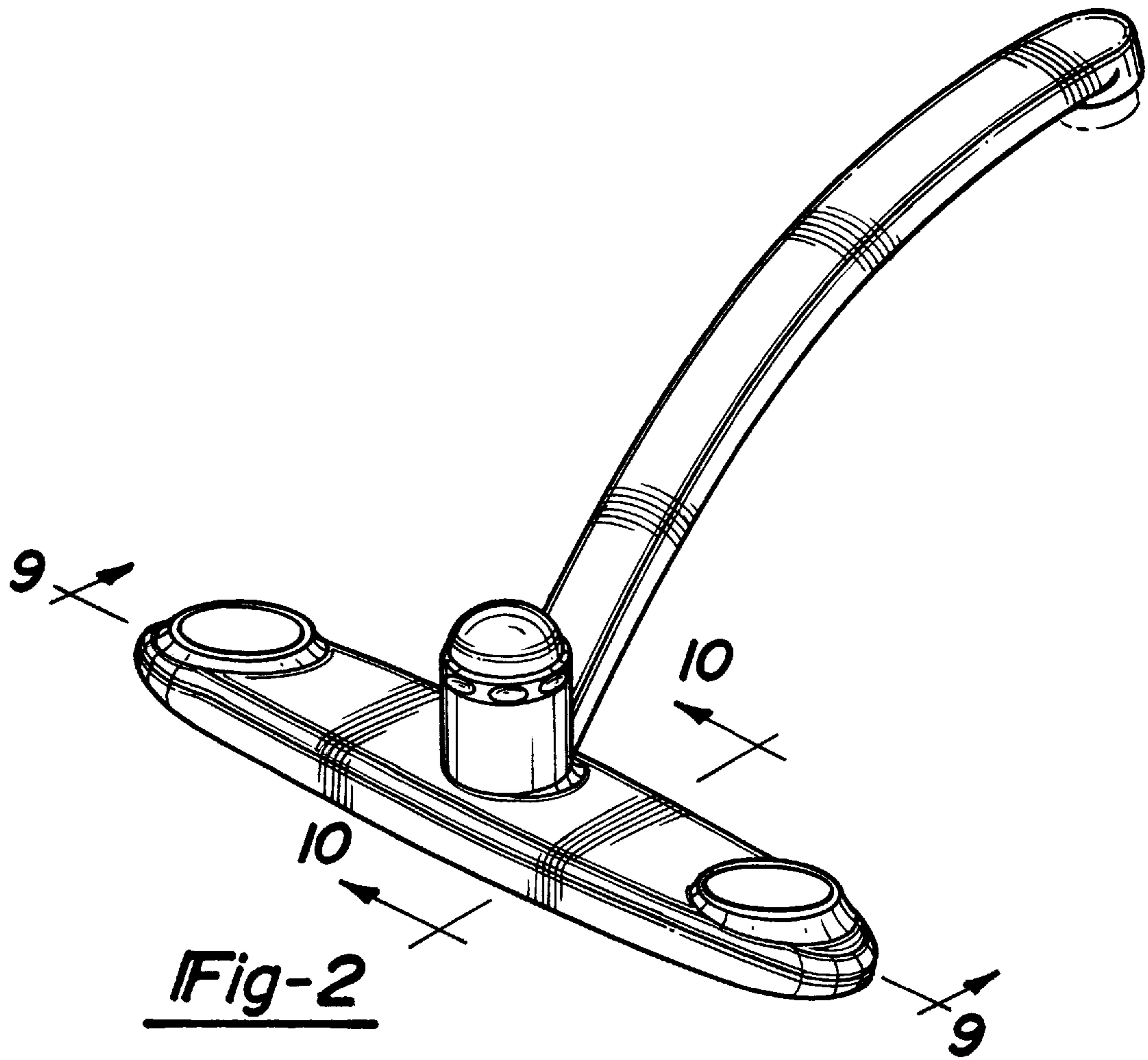
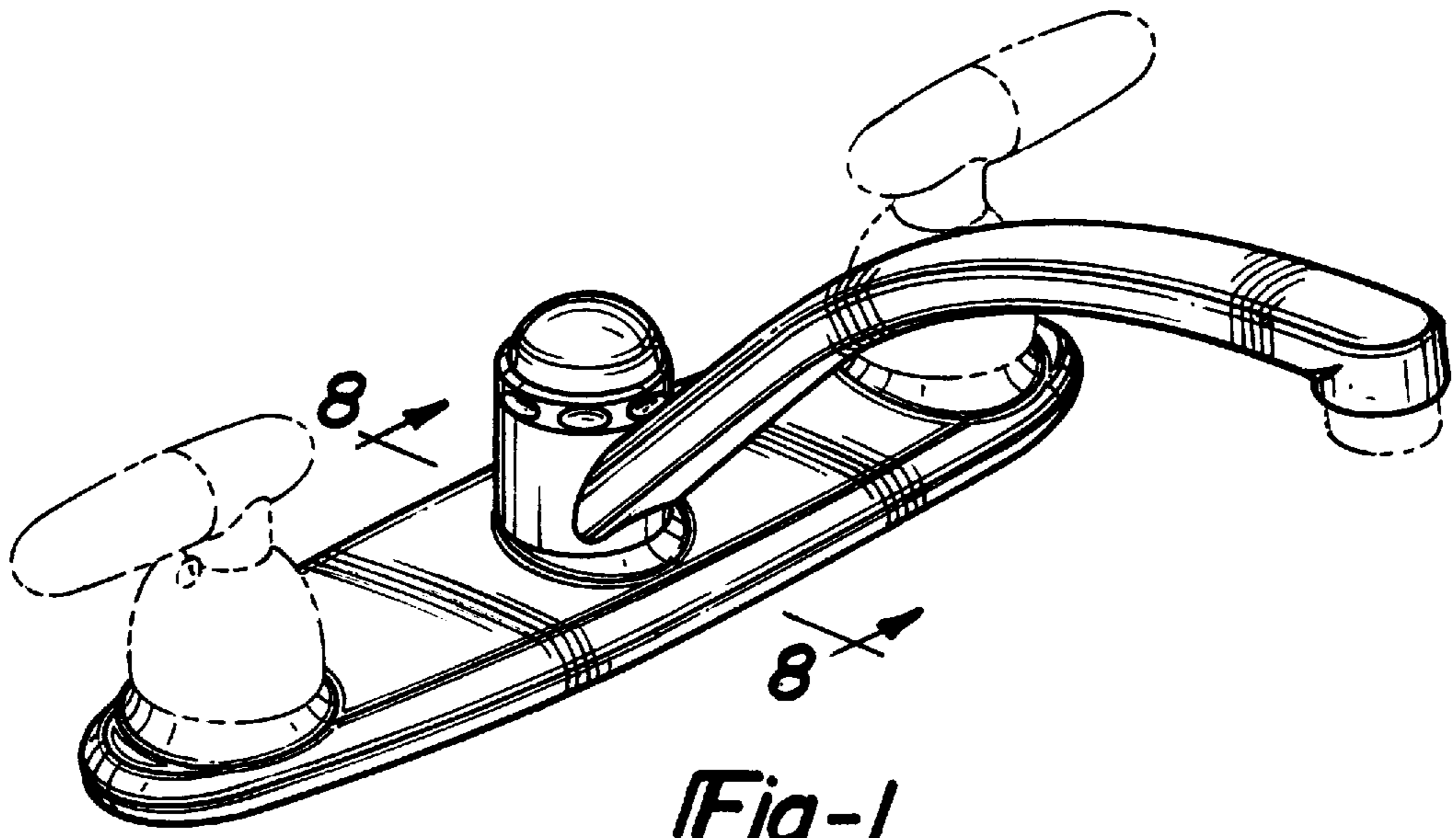
The ornamental design for a two handle faucet, as shown and described.

DESCRIPTION

FIG. 1 is a front perspective view of a two handle faucet showing my new design;
 FIG. 2 is a rear perspective view thereof;
 FIG. 3 is a top plan view thereof;
 FIG. 4 is a front elevational view thereof;
 FIG. 5 is a right side elevational view thereof, the left side being a mirror image;
 FIG. 6 is a rear elevational view thereof; and
 FIG. 7 is a bottom plan view thereof;
 FIG. 8 is a cross-sectional view of the escutcheon taken along line 8—8 in FIG. 1;
 FIG. 9 is a cross-sectional view of the escutcheon taken along line 9—9 in FIG. 2; and,
 FIG. 10 is a cross-sectional view of the escutcheon taken along line 10—10 in FIG. 2.
 The broken line showings of the aerator in FIGS. 1-2, 4-5 and 7, and of the handles in FIGS. 1-7 are for purposes of illustration only and form no part of the claimed design.

1 Claim, 4 Drawing Sheets





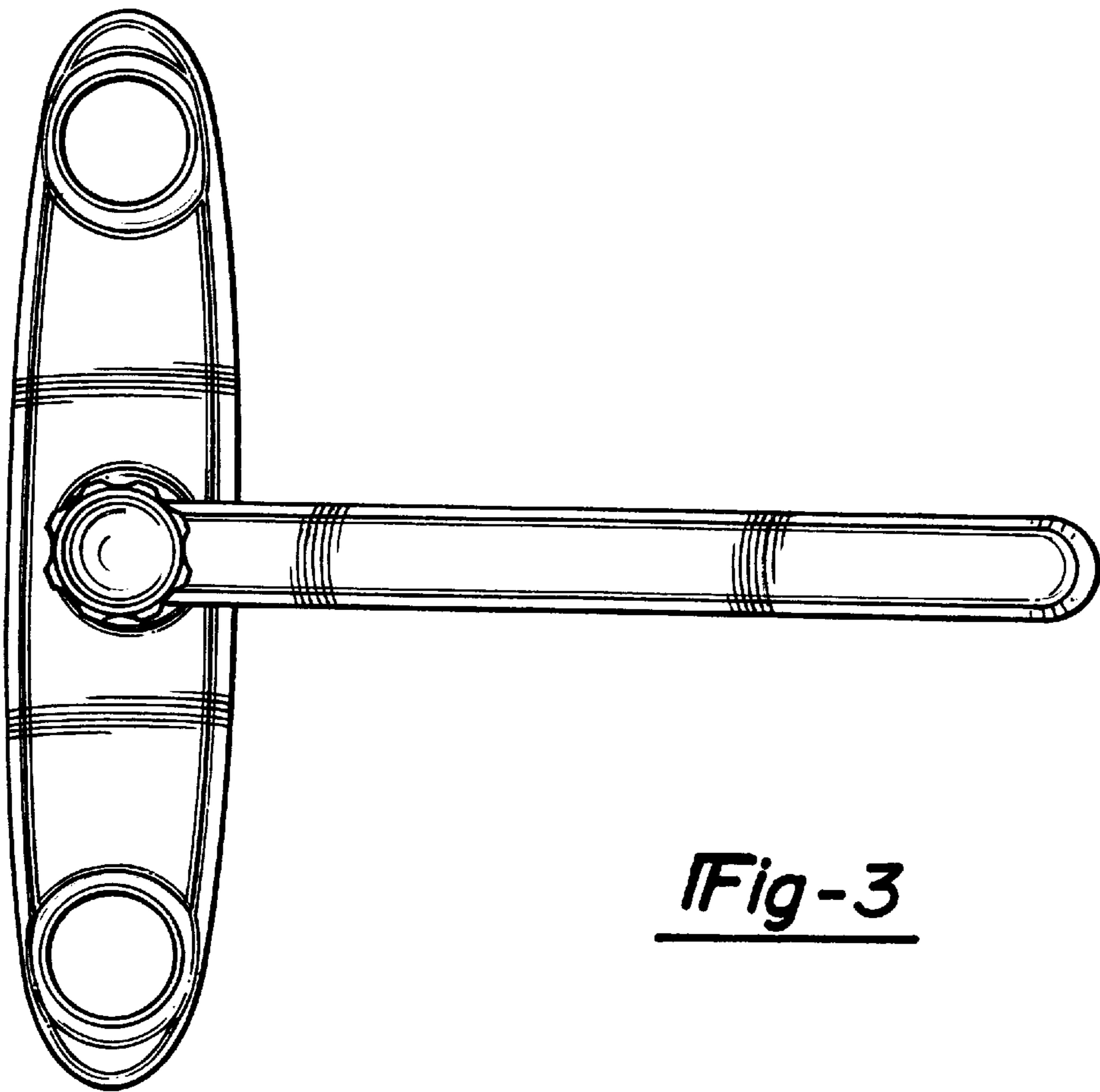


Fig-3

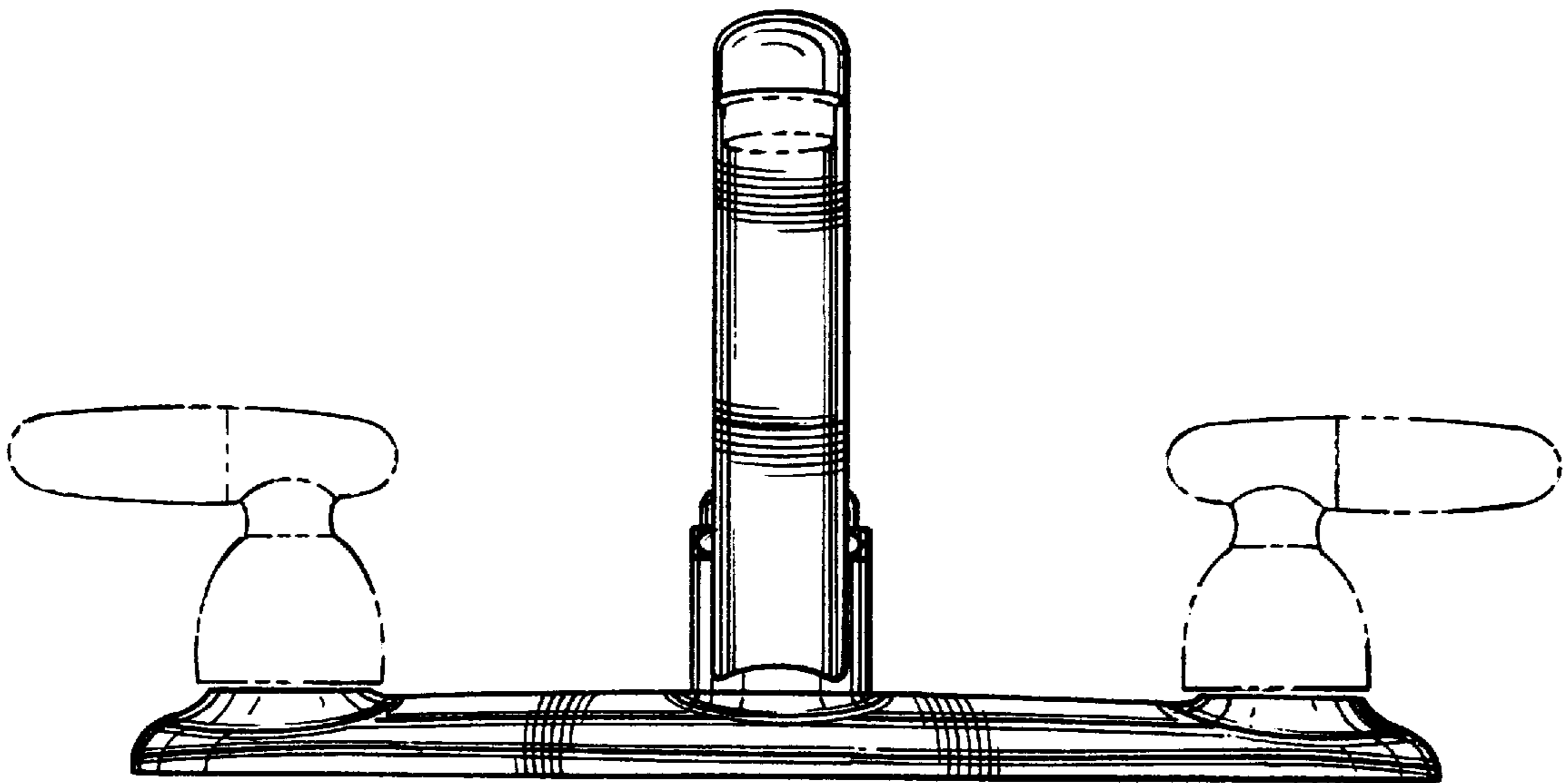


Fig-4

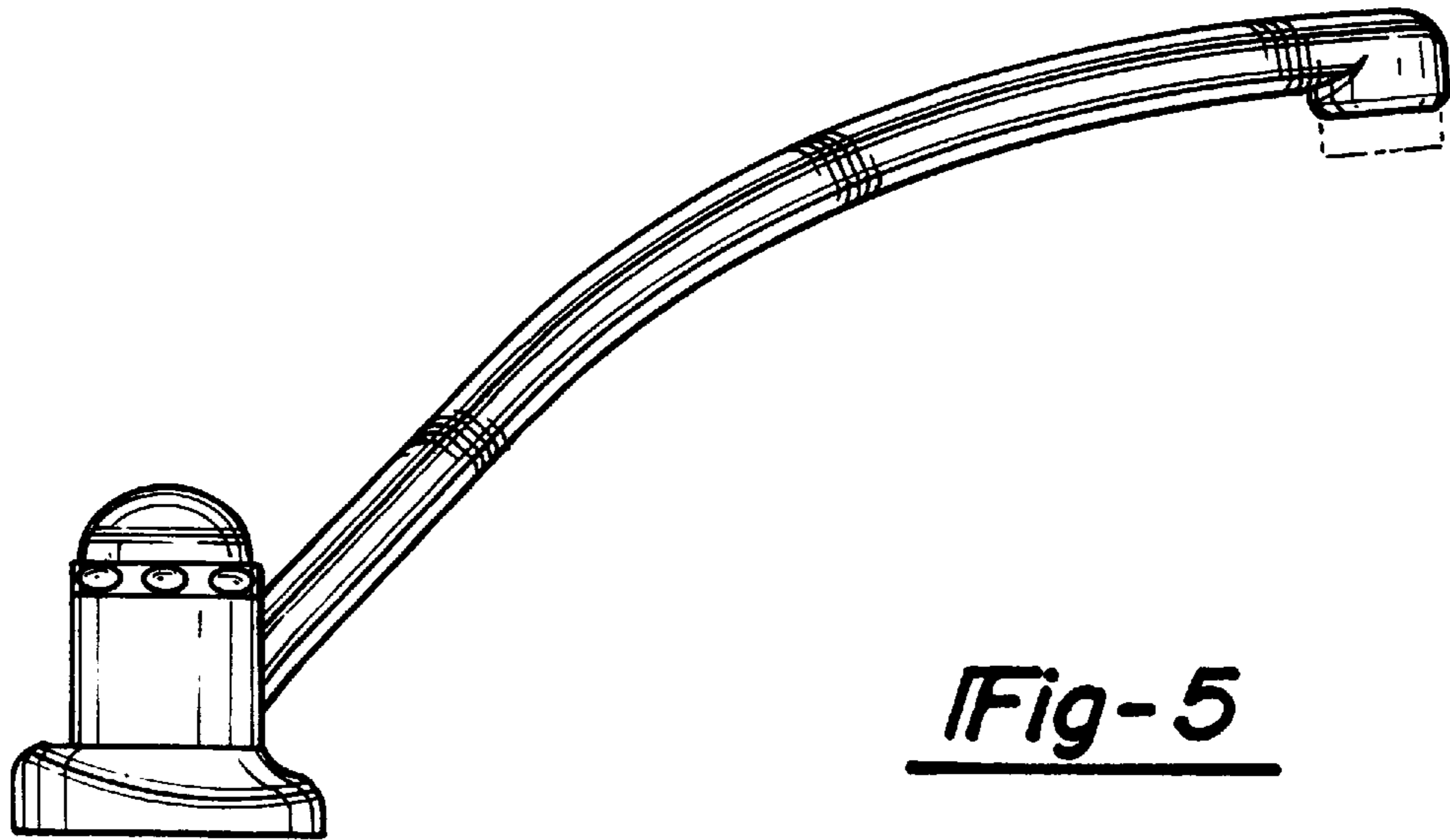


Fig-5

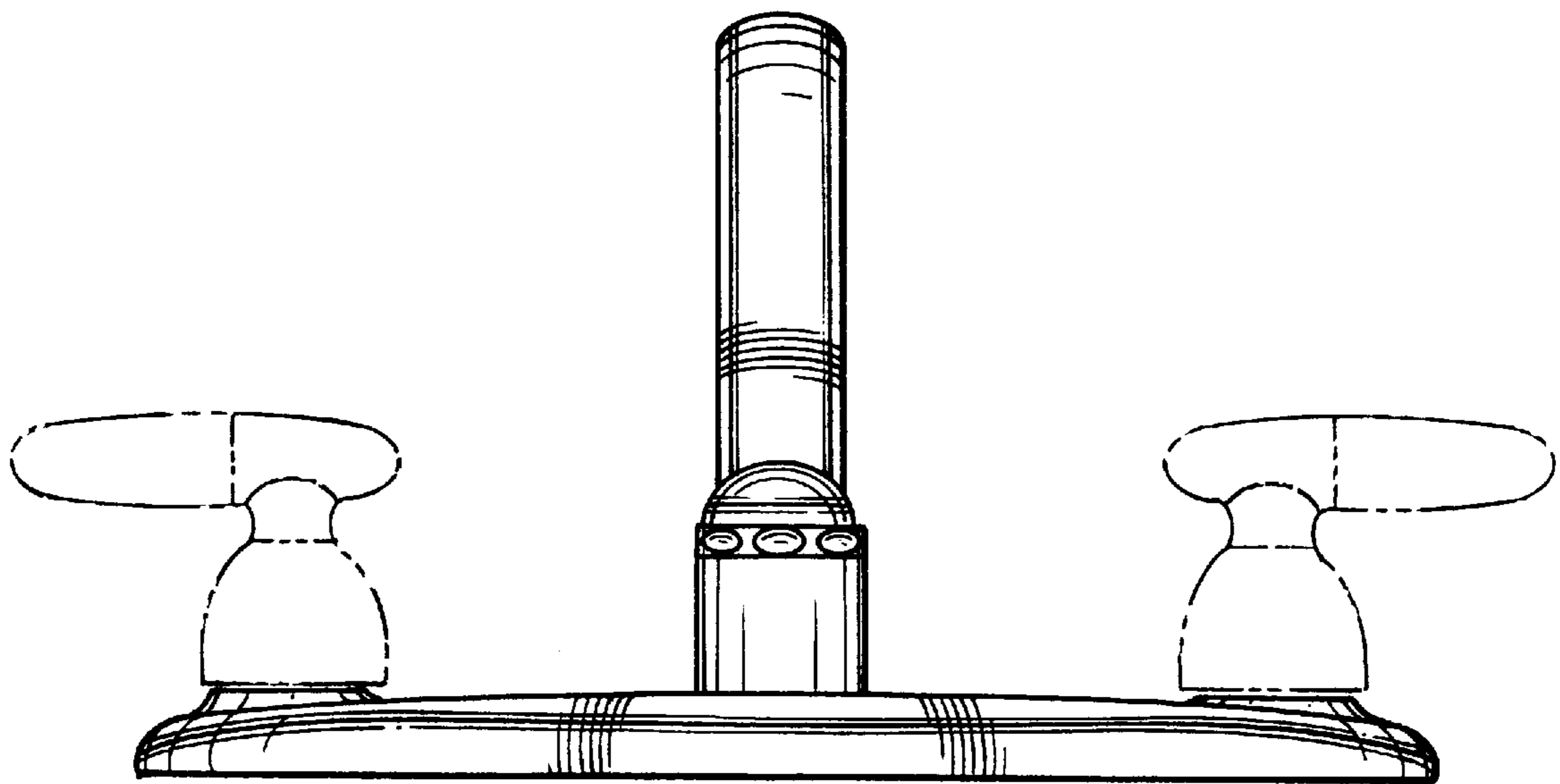


Fig-6

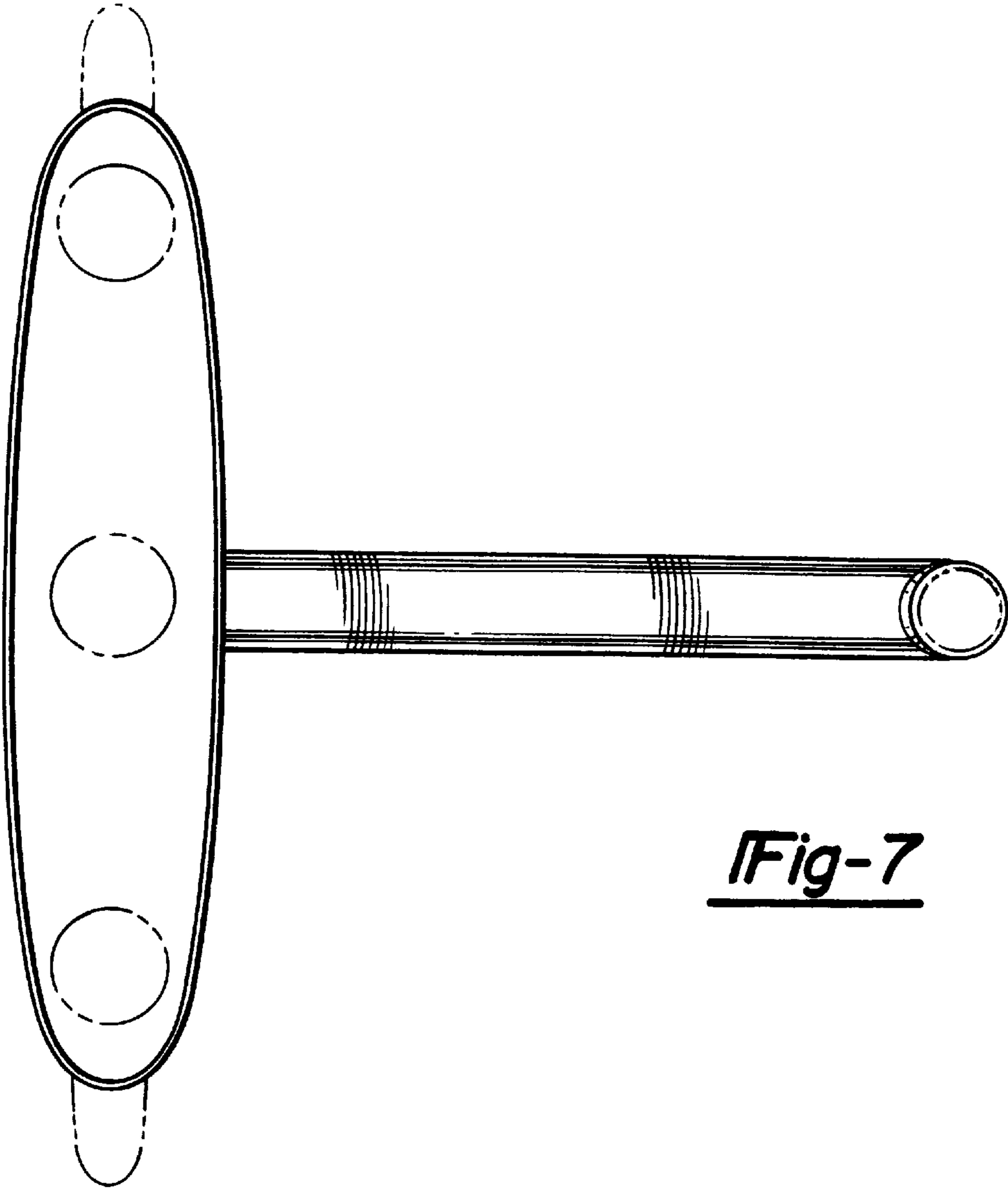


Fig-7

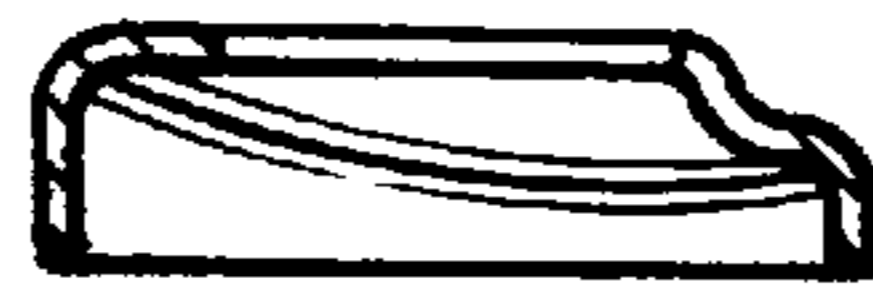


Fig-8

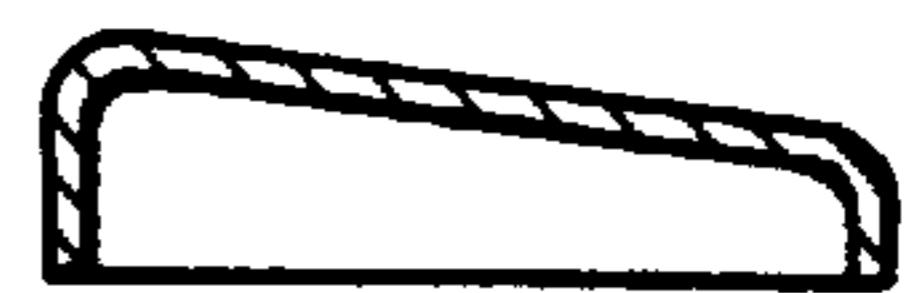


Fig-10

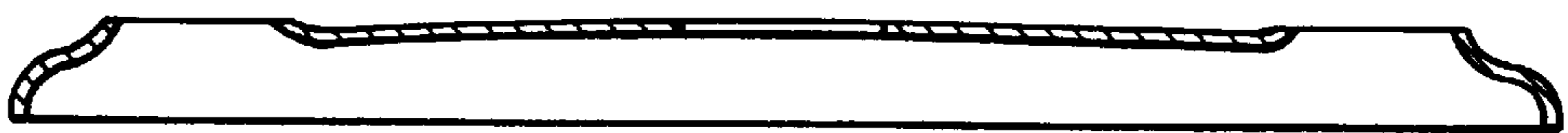


Fig-9