



US00D399922S

United States Patent [19]
Uehara

[11] **Patent Number: Des. 399,922**

[45] **Date of Patent: **Oct. 20, 1998**

[54] **PRESSURE REDUCING VALVE**

[75] Inventor: **Teruo Uehara**, Ibaraki-ken, Japan

[73] Assignee: **SMC Kabushiki Kaisha**, Tokyo, Japan

[**] Term: **14 Years**

[21] Appl. No.: **78,468**

[22] Filed: **Oct. 27, 1997**

[30] **Foreign Application Priority Data**

Apr. 28, 1997 [JP] Japan 9-52949

[51] **LOC (6) Cl.** **23-01**

[52] **U.S. Cl.** **D23/235**

[58] **Field of Search** D23/209, 233-237,
D23/243-247; 137/237; 184/26, 55.1, 55.2,
103.1; 357/237

[56] **References Cited**

U.S. PATENT DOCUMENTS

D. 301,917 6/1989 Ogasawara et al. D23/235

D. 317,494 6/1991 Miyake et al. D23/235
D. 318,713 7/1991 Miyake et al. D23/235
D. 354,547 1/1995 Schops D23/235
D. 361,627 8/1995 Garrard et al. D23/235

Primary Examiner—Marcus A. Jackson
Attorney, Agent, or Firm—Oblon, Spivak, McClelland,
Maier & Neustadt, P.C.

[57] **CLAIM**

The ornamental design for a pressure reducing valve, as shown.

DESCRIPTION

FIG. 1 is a perspective view of a pressure reducing valve, showing our new design;
FIG. 2 is a front view thereof;
FIG. 3 is a right side view thereof;
FIG. 4 is a top plan view thereof;
FIG. 5 is a bottom plan view thereof;
FIG. 6 is a rear view thereof; and,
FIG. 7 is a left side view thereof.

1 Claim, 3 Drawing Sheets

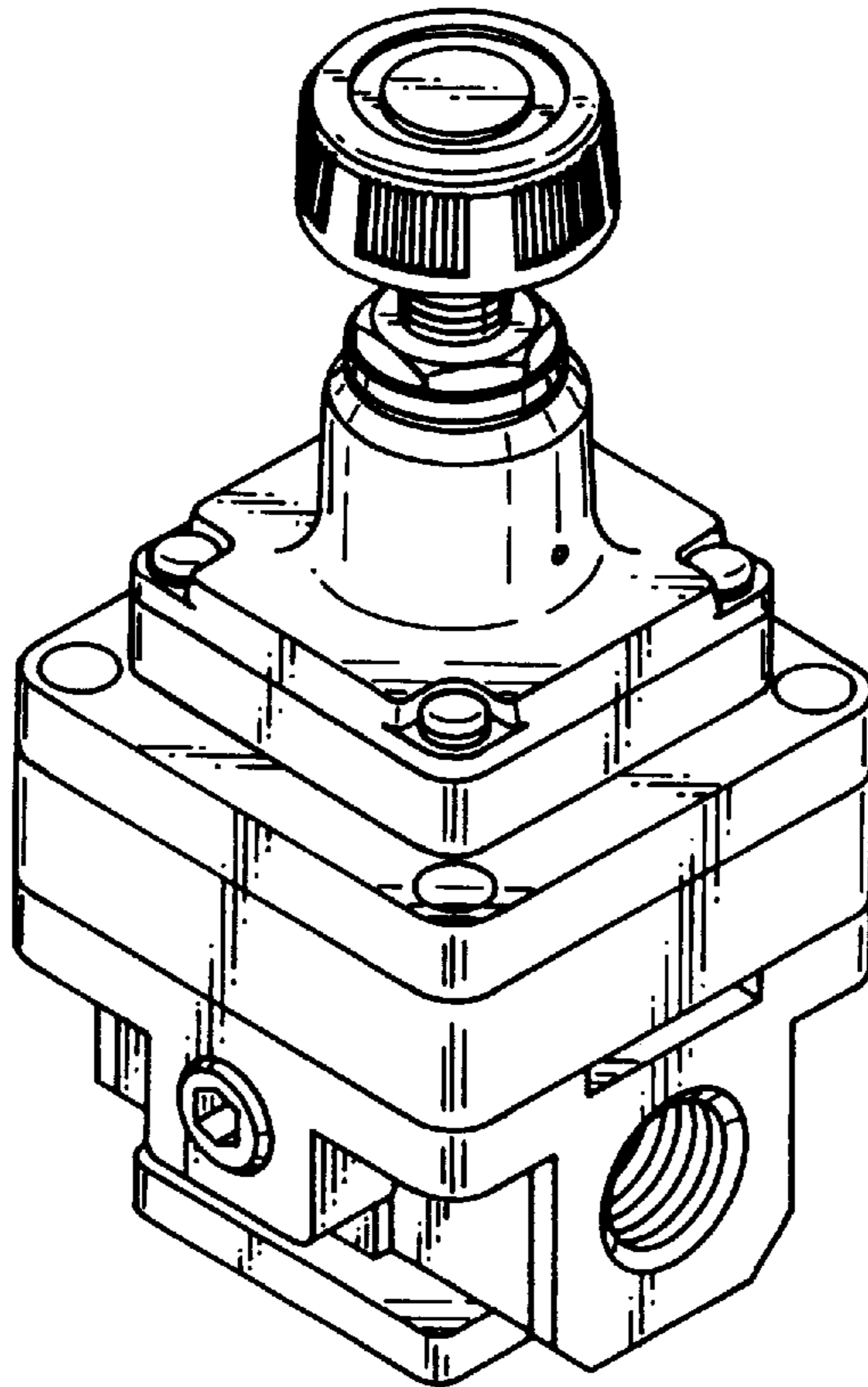


FIG. 1

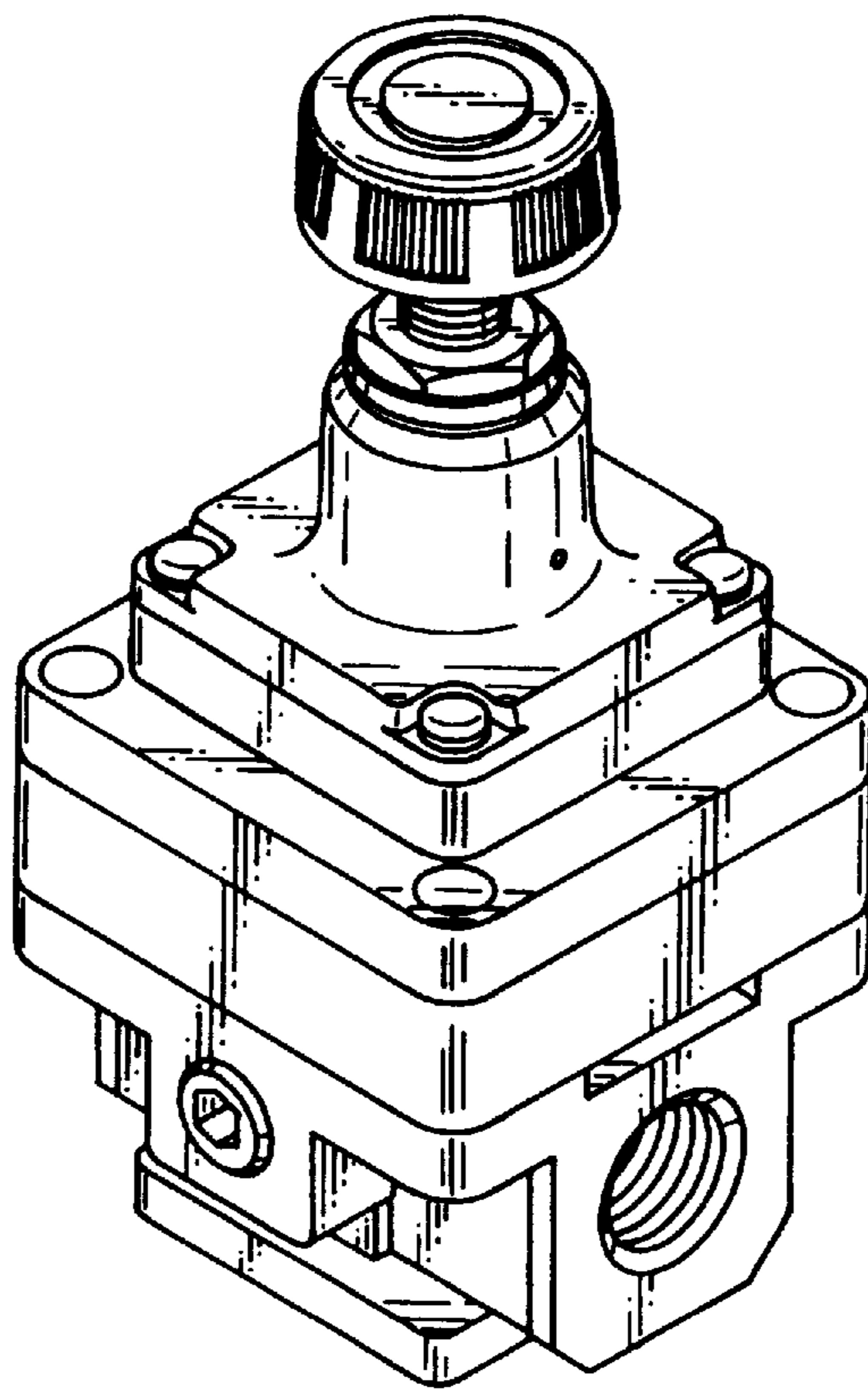


FIG. 2

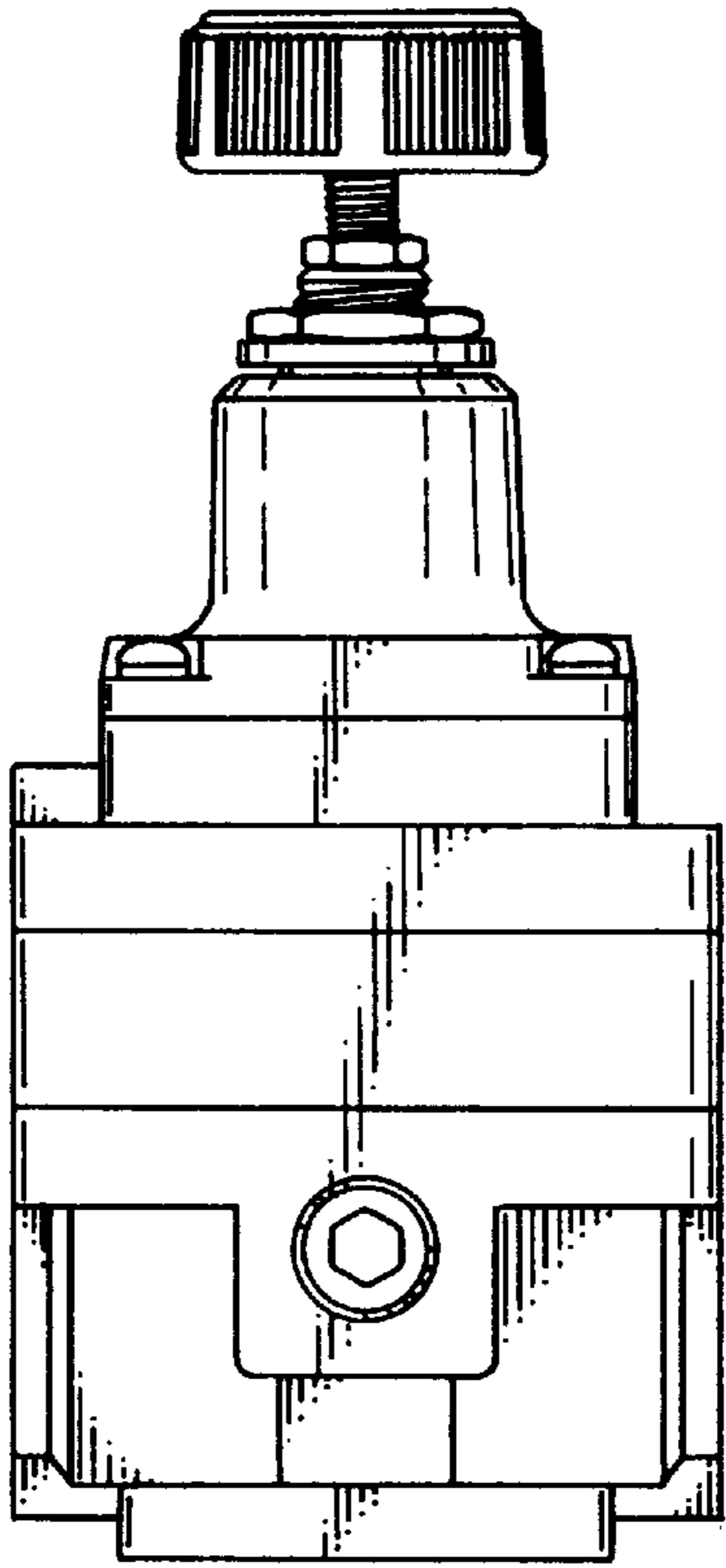


FIG. 3

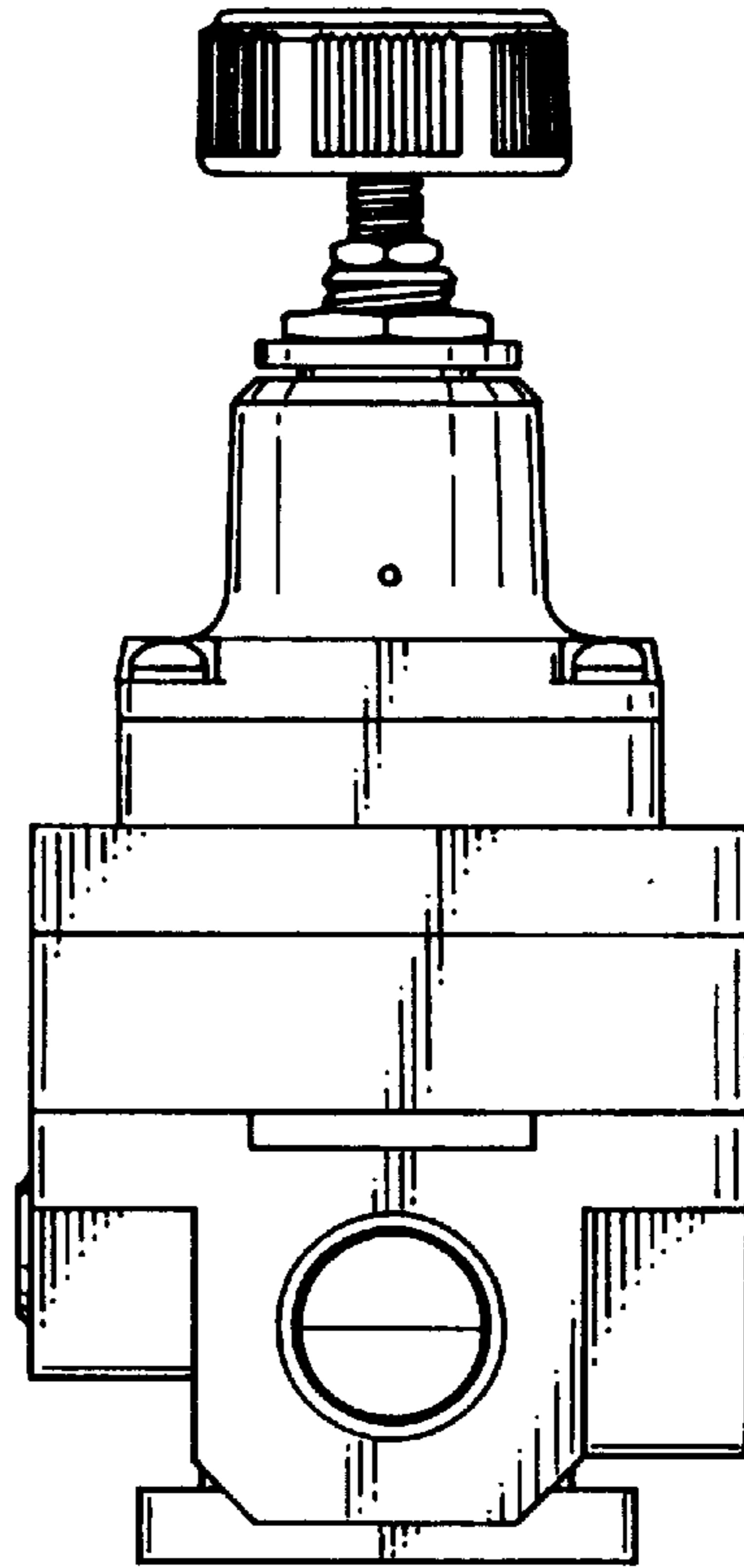


FIG. 4

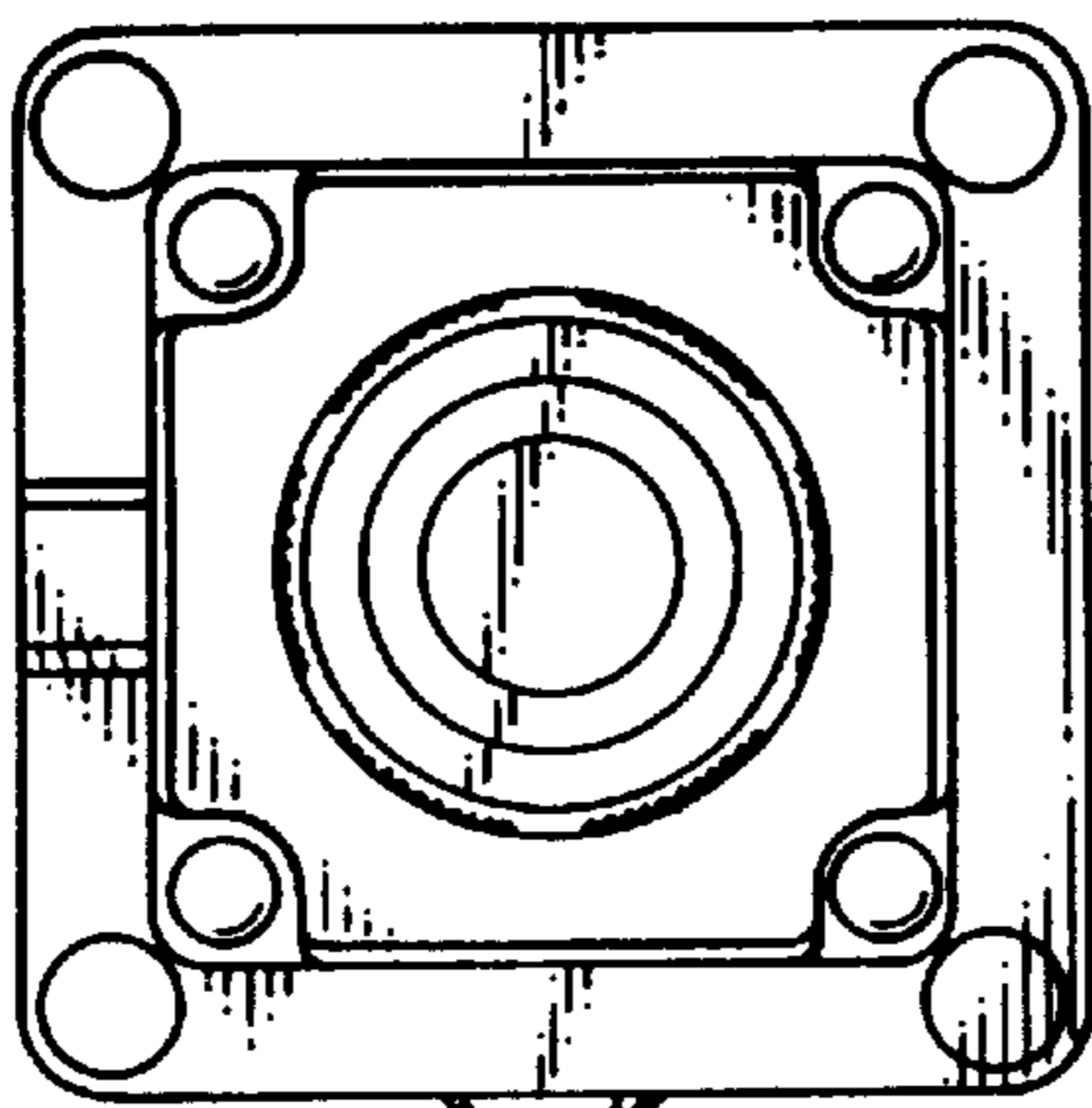


FIG. 5

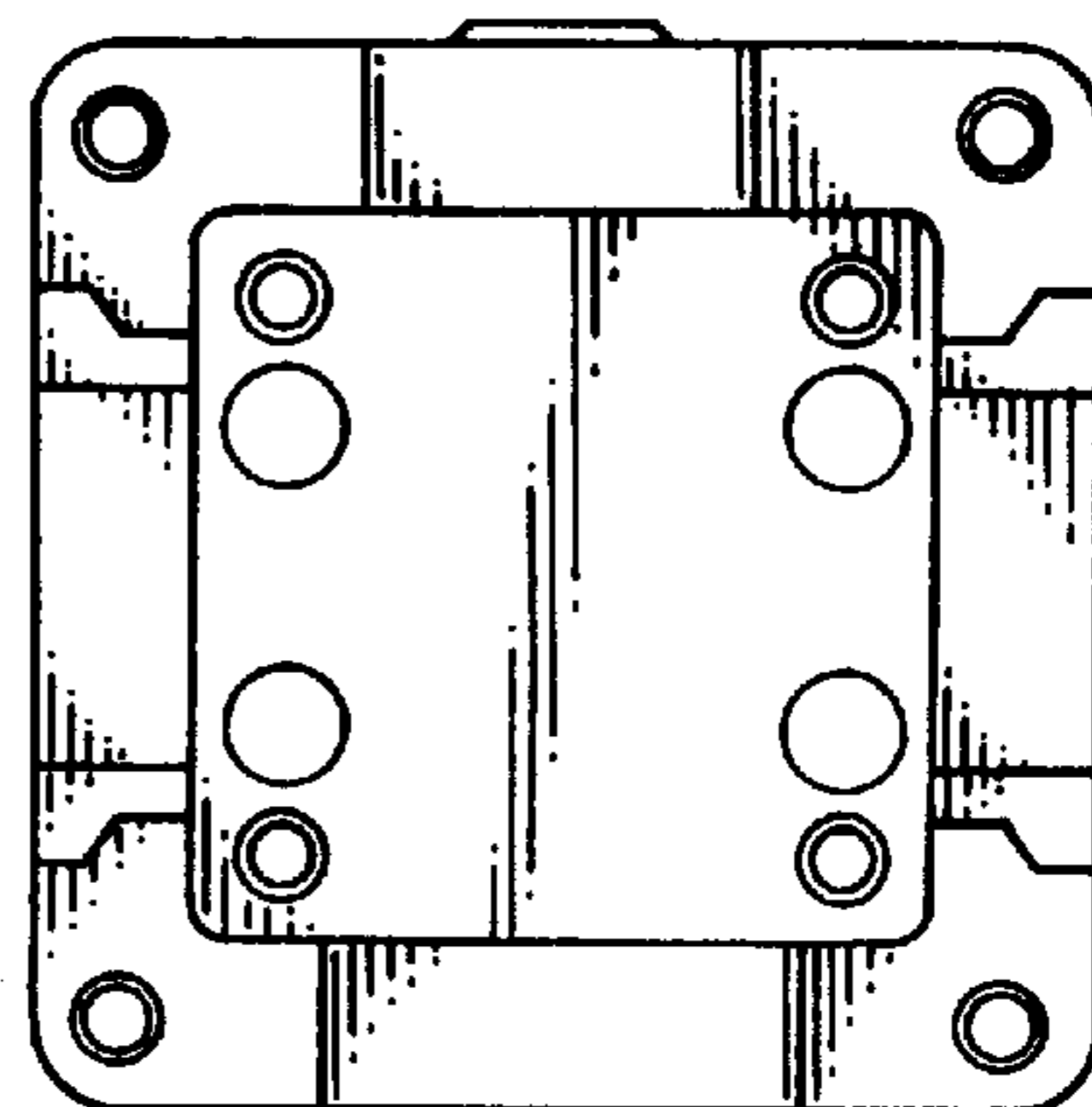


FIG. 6

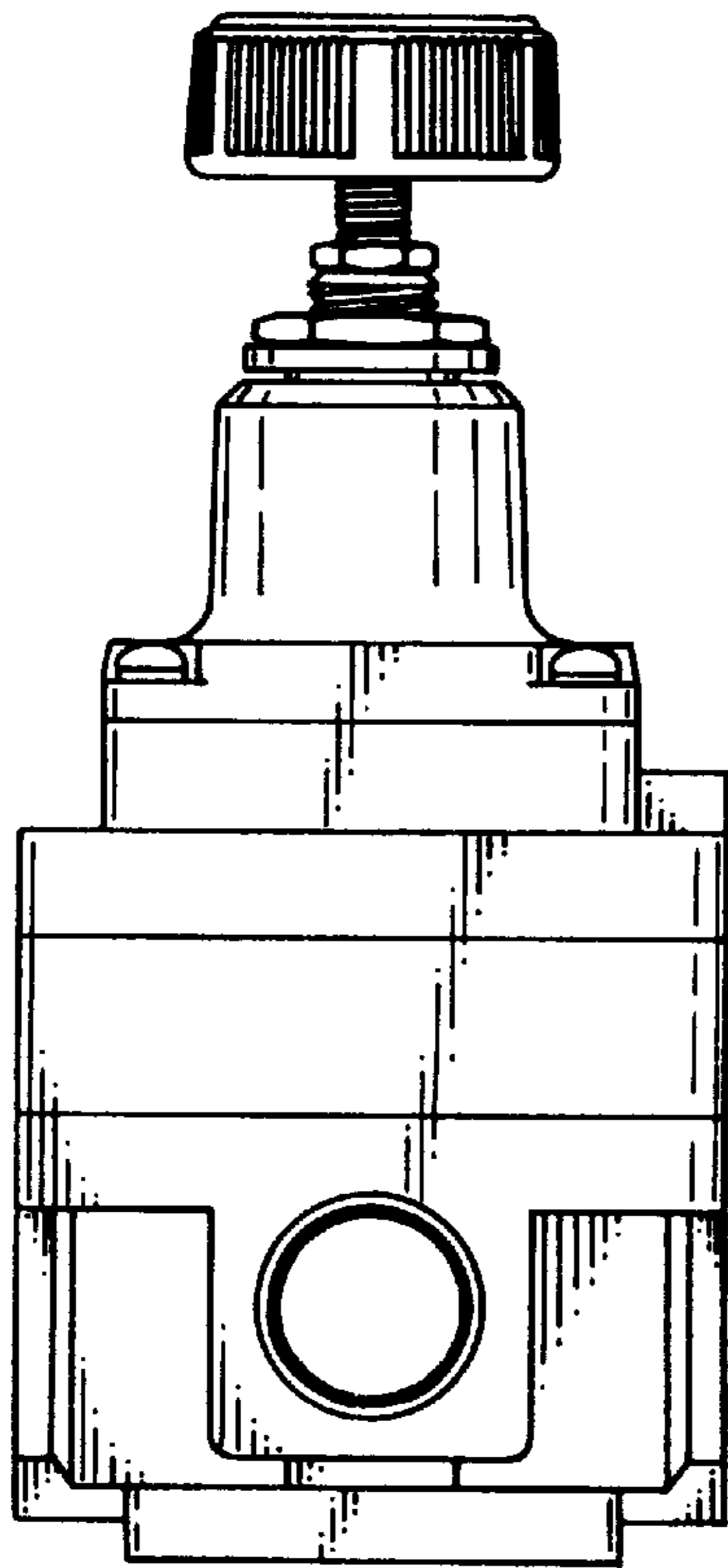


FIG. 7

