



US00D399921S

# United States Patent [19] Jones

[11] **Patent Number: Des. 399,921**

[45] **Date of Patent: \*\*Oct. 20, 1998**

[54] **VALVE FLOW DIFFUSER**

D. 354,547 1/1995 Schops ..... D23/235  
D. 365,632 12/1995 Blasdel et al. .... D23/235  
D. 368,300 3/1996 Grenga ..... D23/235

[75] Inventor: **Curtis M. Jones**, Largo, Fla.

[73] Assignee: **Brady Products, Inc.**, Clearwater, Fla.

*Primary Examiner*—Marcus A. Jackson  
*Attorney, Agent, or Firm*—Woodard, Emhardt, Naughton,  
Moriarty & McNett

[\*\*] Term: **14 Years**

[21] Appl. No.: **62,342**

[57] **CLAIM**

[22] Filed: **Nov. 13, 1996**

The ornamental design for a valve flow diffuser, as shown and described.

[51] **LOC (6) Cl.** ..... **23-03**

[52] **U.S. Cl.** ..... **D23/235**

[58] **Field of Search** ..... D23/233–237,  
D23/244–249, 265; D8/387, 397, 398; 137/216,  
218, 328, 527, 527.6, 527.8, 540–542

**DESCRIPTION**

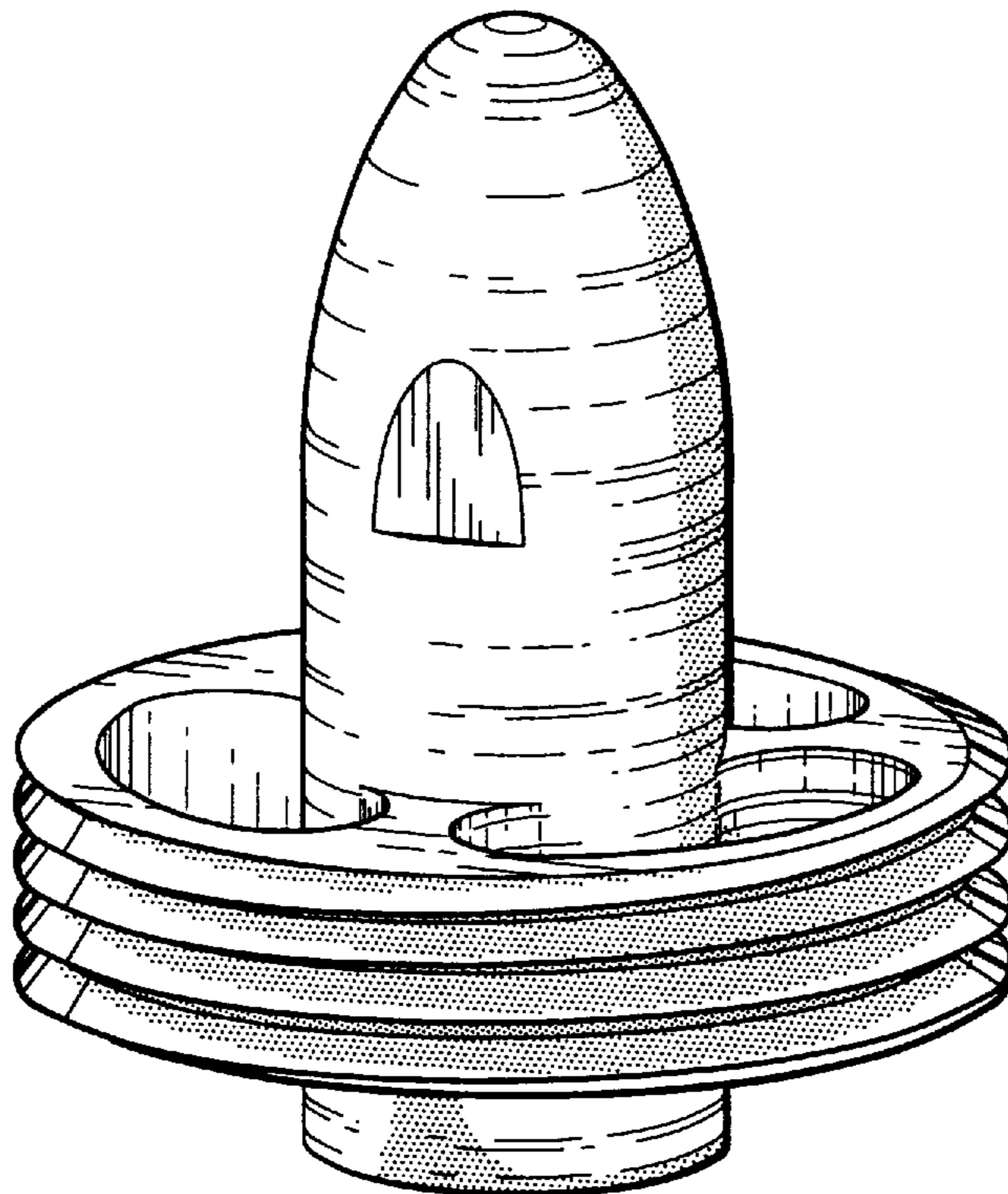
[56] **References Cited**

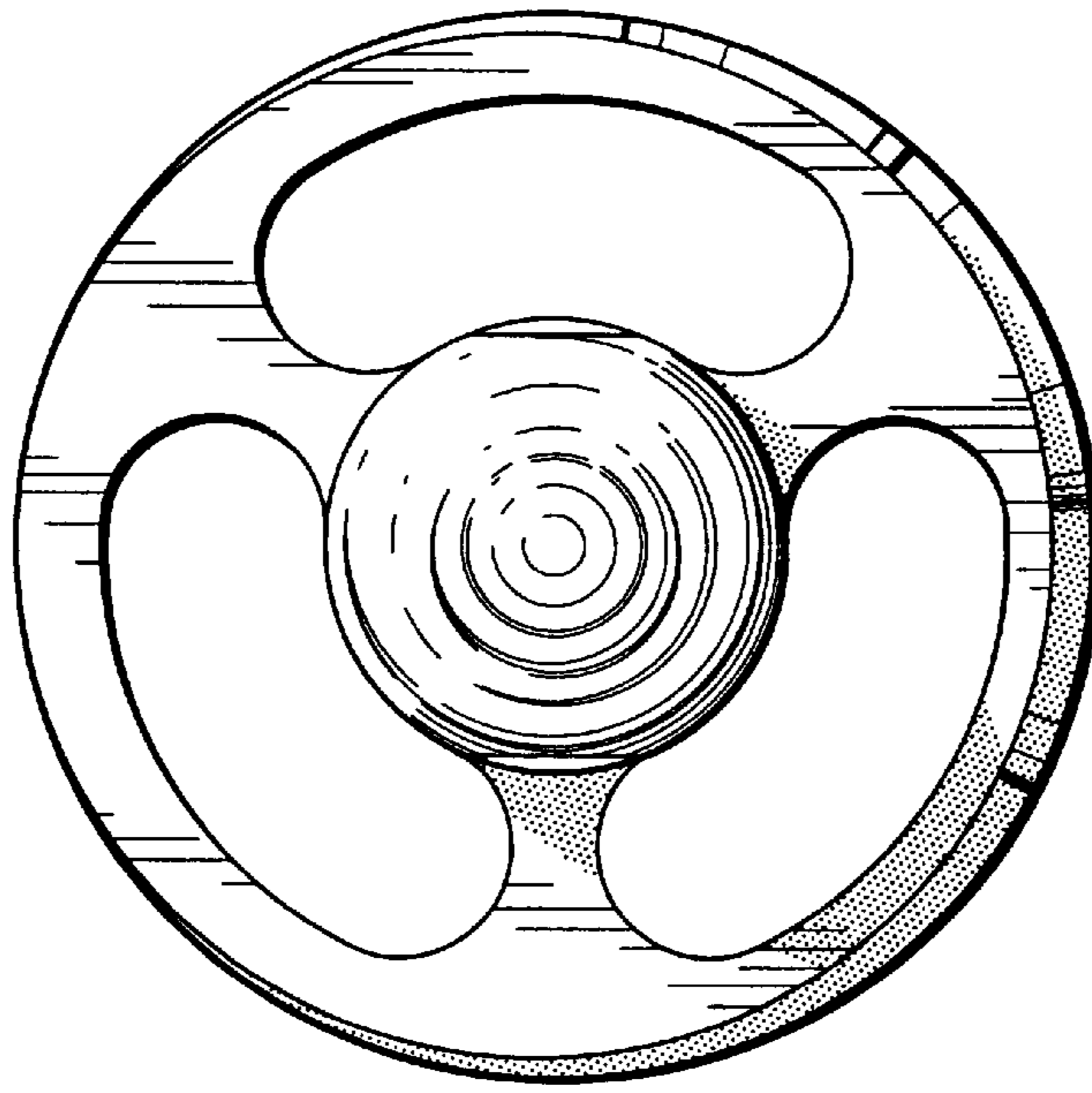
**U.S. PATENT DOCUMENTS**

D. 140,966 4/1945 Patten ..... D23/235  
D. 289,915 5/1987 Beltran ..... D23/335  
D. 296,232 6/1988 Crossman ..... D23/235  
D. 334,616 4/1993 Nimmo ..... D23/249

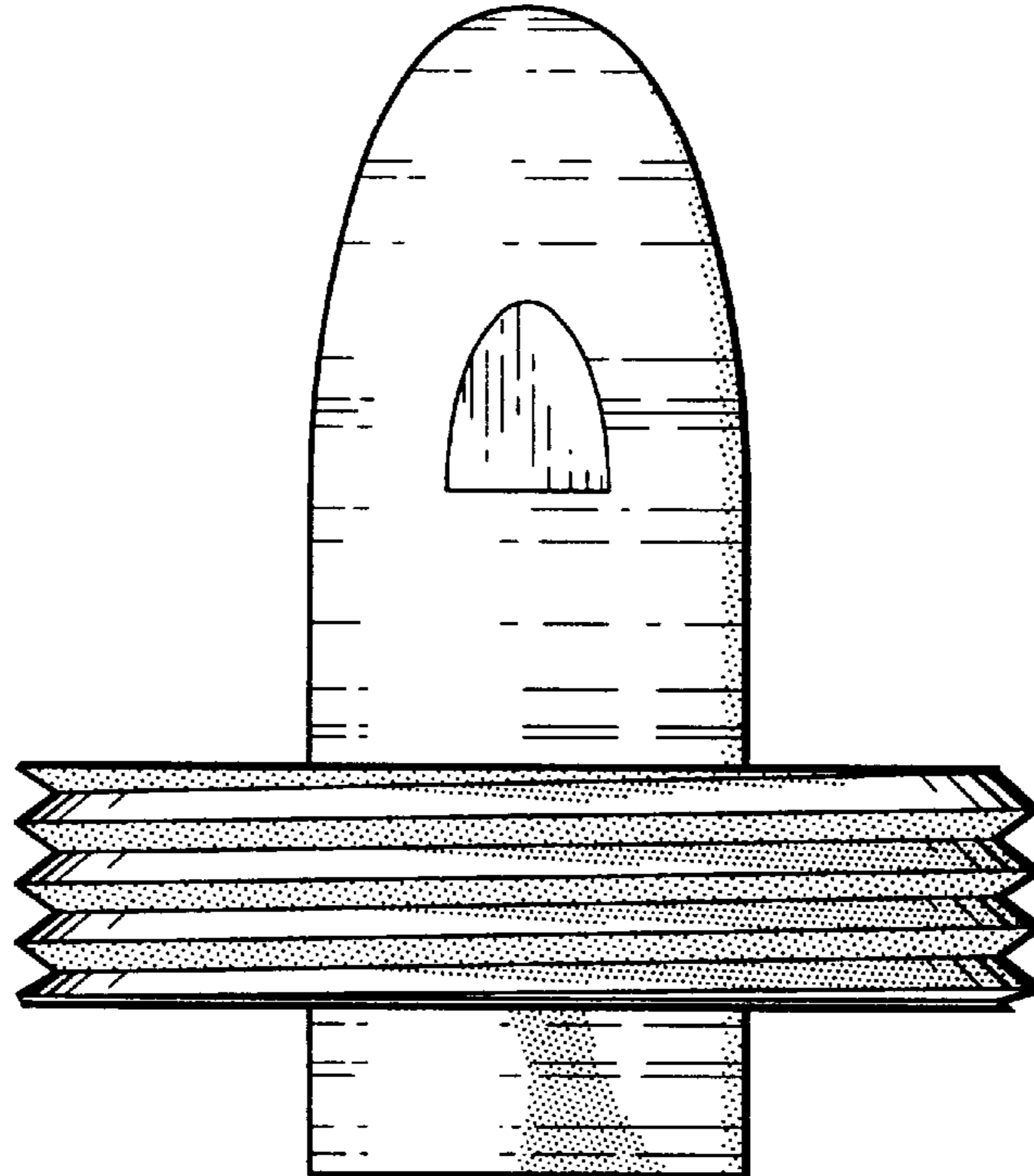
FIG. 1 is a front elevational view of a valve flow diffuser, showing a typical embodiment of my new design;  
FIG. 2 is a top plan view thereof;  
FIG. 3 is a bottom plan view thereof;  
FIG. 4 is a side elevational view thereof; and,  
FIG. 5 is a perspective view thereof.  
The appearance of the rear is the same as the front.  
The appearance of the left side is the same as the right side of FIG. 4.

**1 Claim, 3 Drawing Sheets**

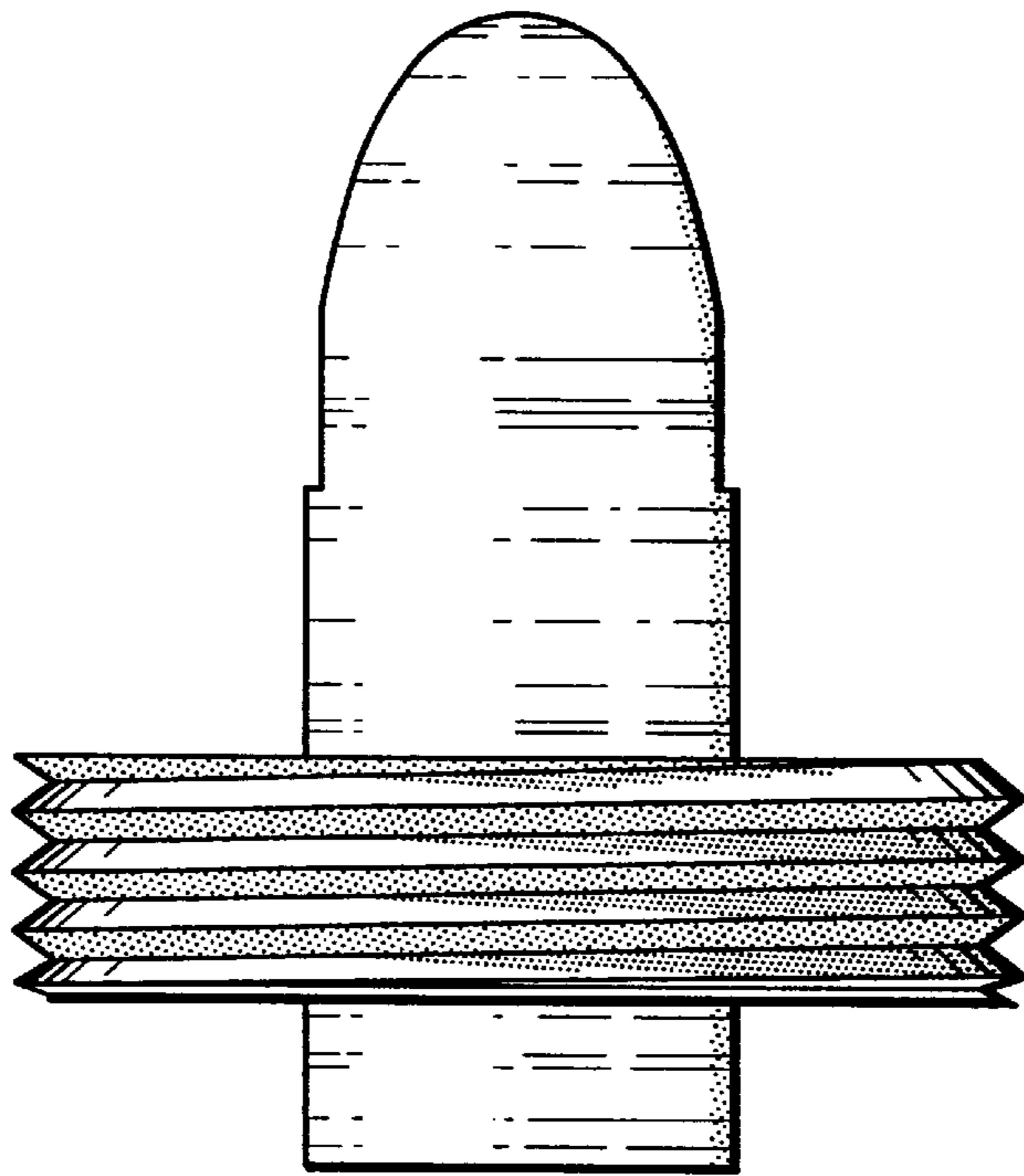




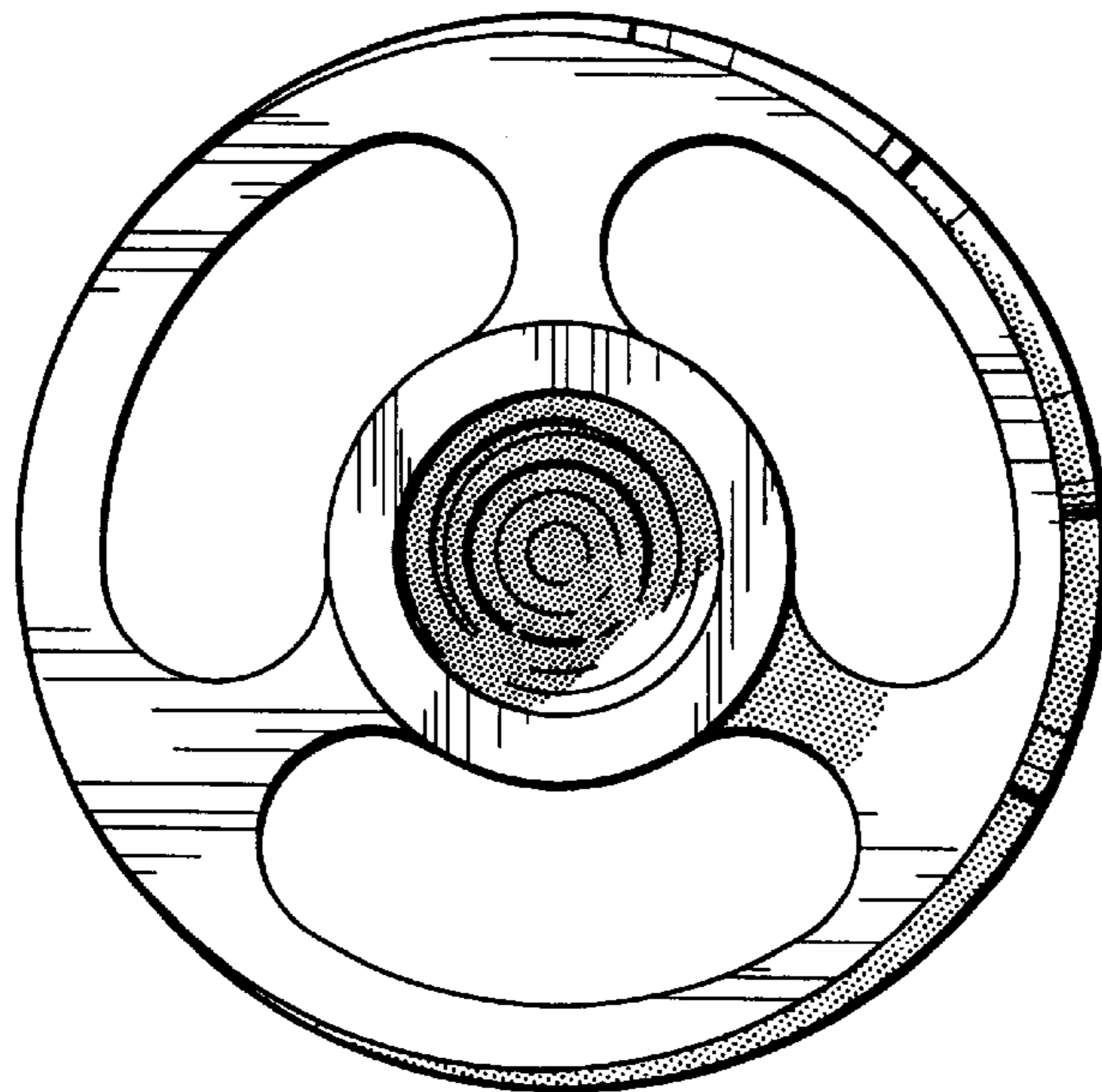
**Fig. 2**



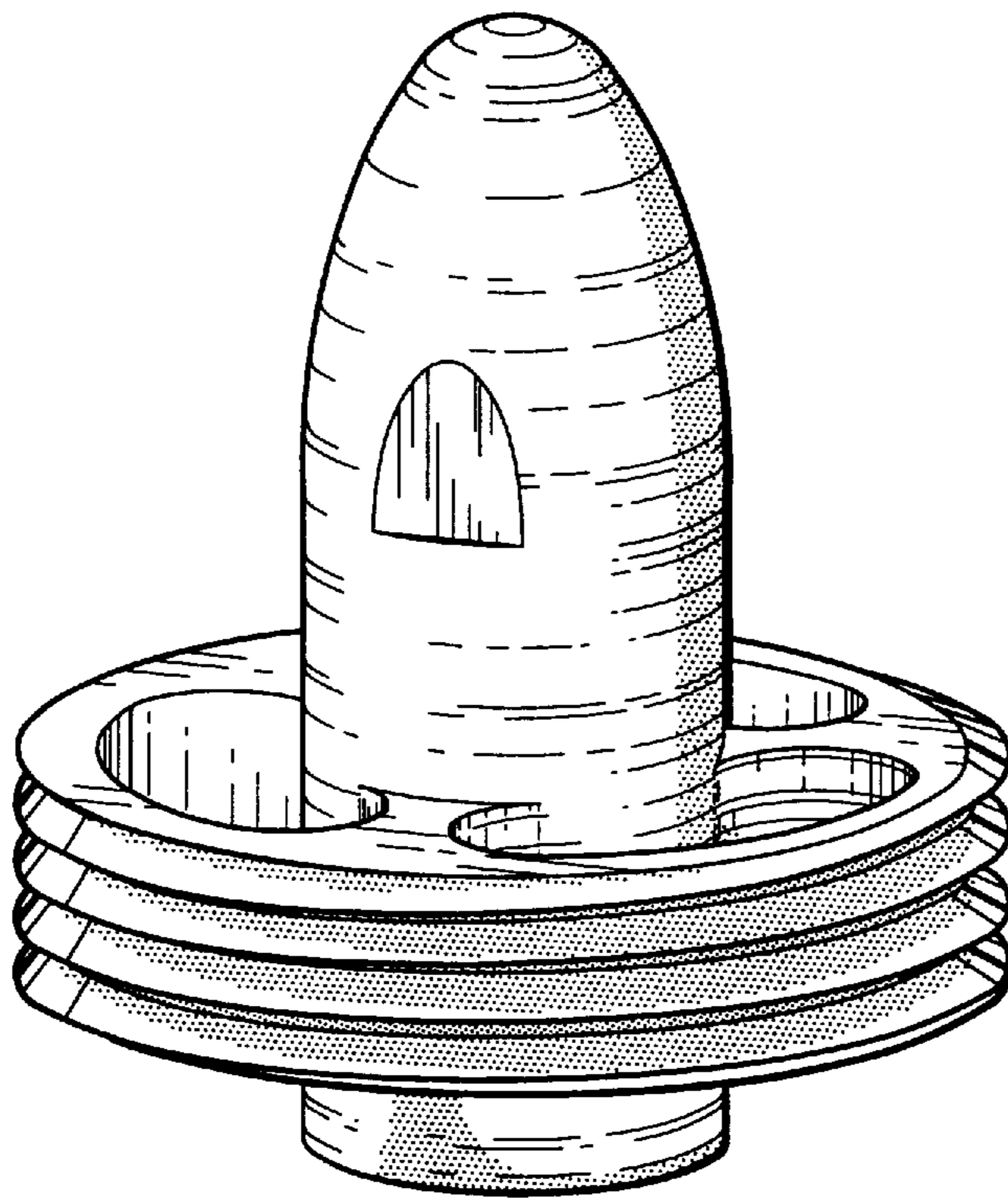
**Fig. 1**



**Fig. 4**



**Fig. 3**



**Fig. 5**