



US00D399920S

United States Patent [19] Bate

[11] **Patent Number: Des. 399,920**

[45] **Date of Patent: **Oct. 20, 1998**

[54] **NOZZLE GUARD**

3,514,040 5/1970 Carson 239/288.5
5,632,339 5/1997 Fenske et al. 239/288.5

[75] Inventor: **Douglas Edward Bate**, Alberta, Canada

[73] Assignee: **Skyscraper Cleaning Services Inc.**,
Alberta, Canada

Primary Examiner—Freda Nunn
Assistant Examiner—Robin V. Taylor
Attorney, Agent, or Firm—Anthony R. Lambert

[**] Term: **14 Years**

[57] **CLAIM**

[21] Appl. No.: **72,141**

The ornamental design for a nozzle guard, as shown and described.

[22] Filed: **Sep. 19, 1996**

DESCRIPTION

[51] **LOC (6) Cl.** **23-01**

[52] **U.S. Cl.** **D23/227**

[58] **Field of Search** D23/213-215,
D23/223, 226, 227, 229; 239/103, 104,
288, 288.3, 288.5

FIG. 1 is a perspective view;
FIG. 2 is a right side elevation view, the left side elevation view being a mirror image thereof;
FIG. 3 is a front elevation view, the rear elevation view being a mirror image thereof;
FIG. 4 is a bottom elevation view; and,
FIG. 5 is a top elevation view.

[56] **References Cited**

U.S. PATENT DOCUMENTS

2,535,766 12/1950 Wahlin 239/288.5

1 Claim, 3 Drawing Sheets

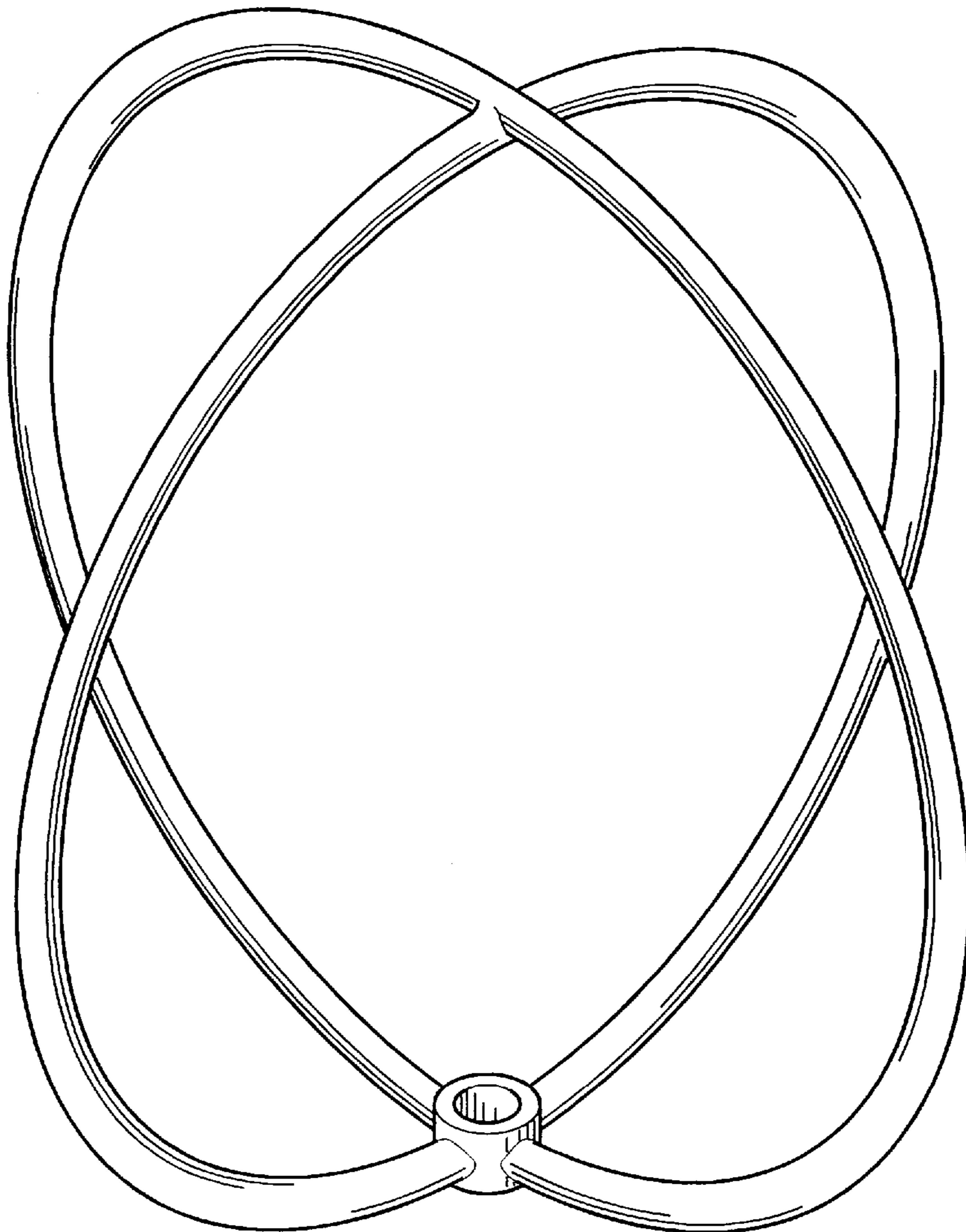


FIG. 1.

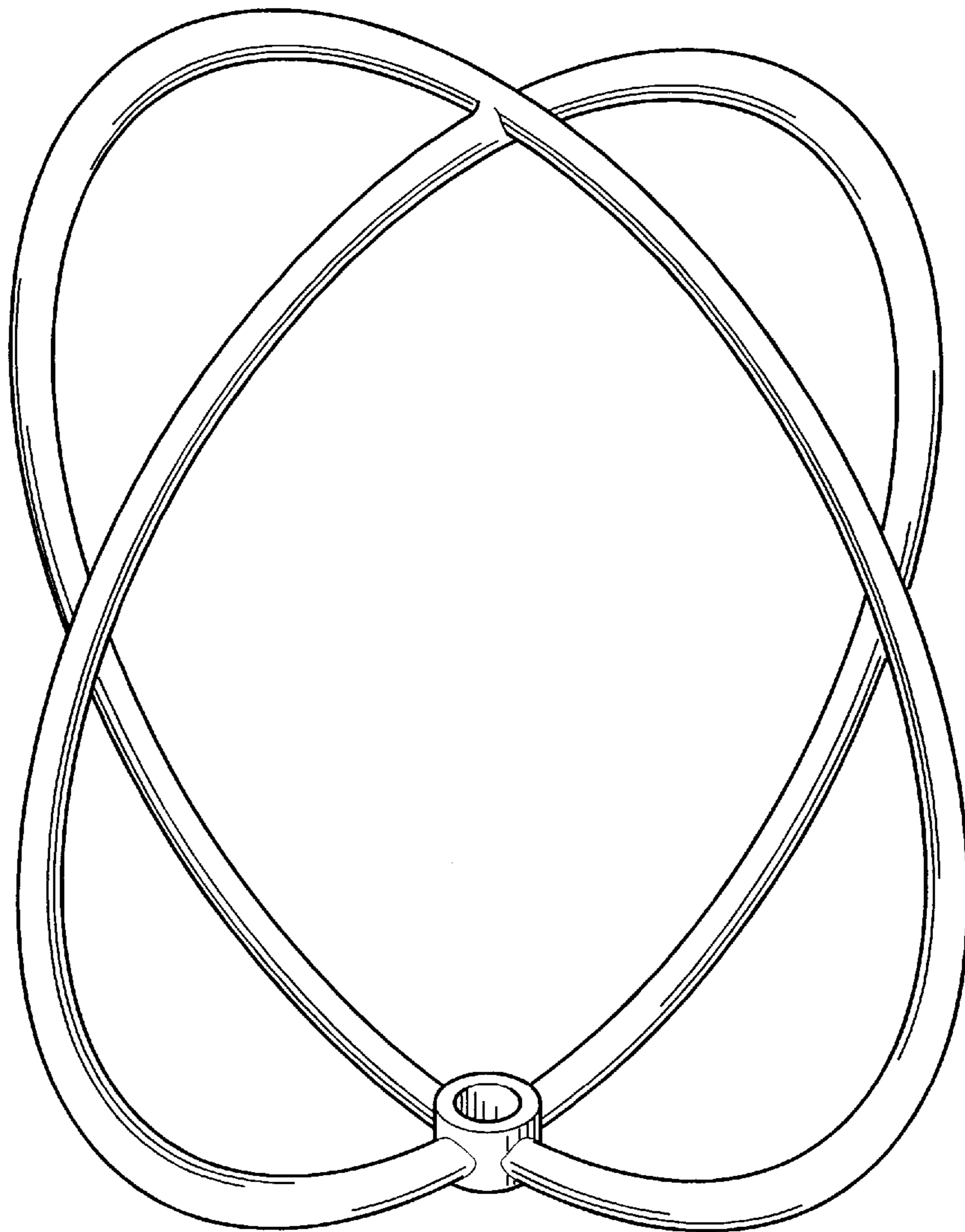


FIG. 2.

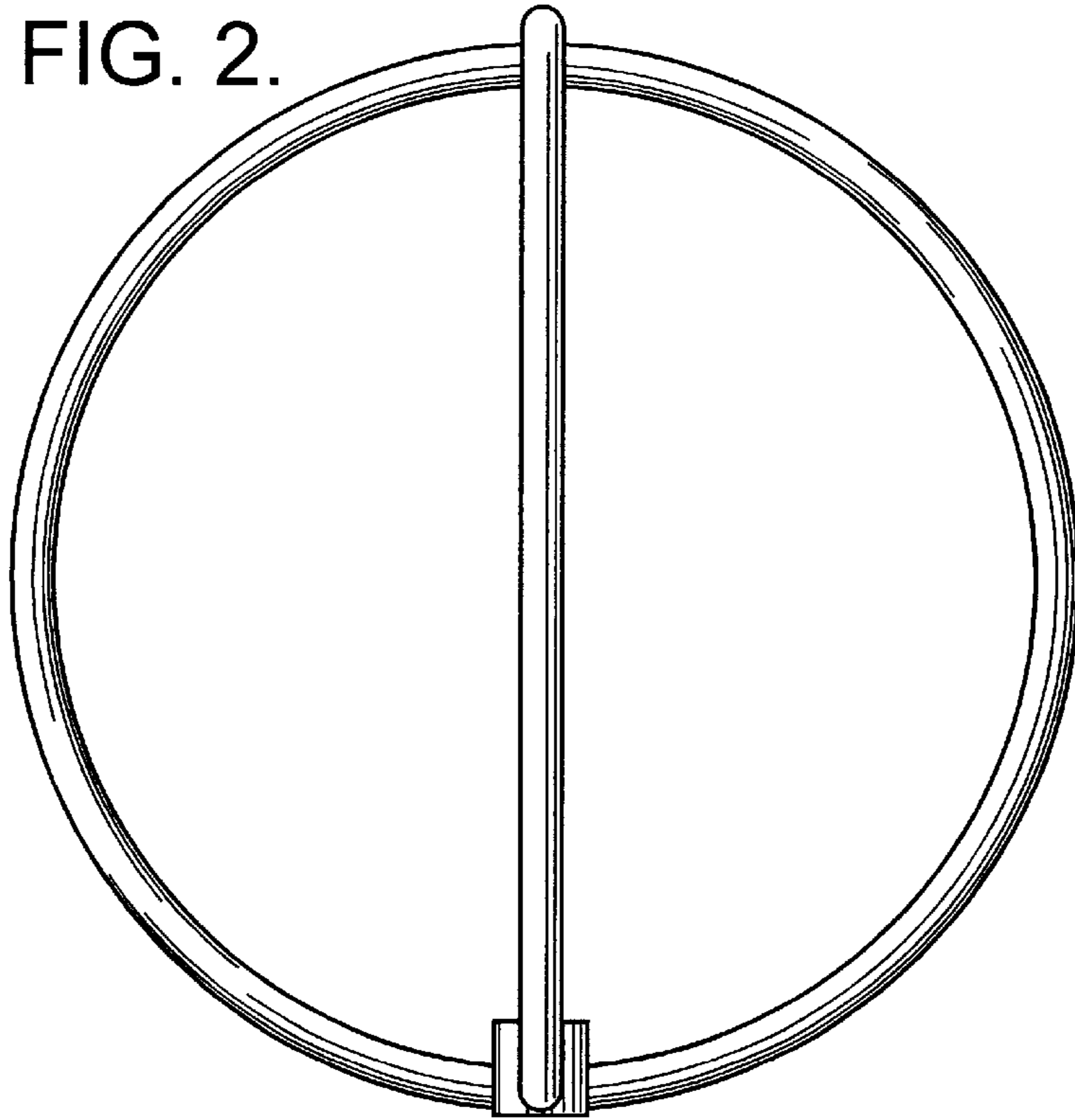


FIG. 3.

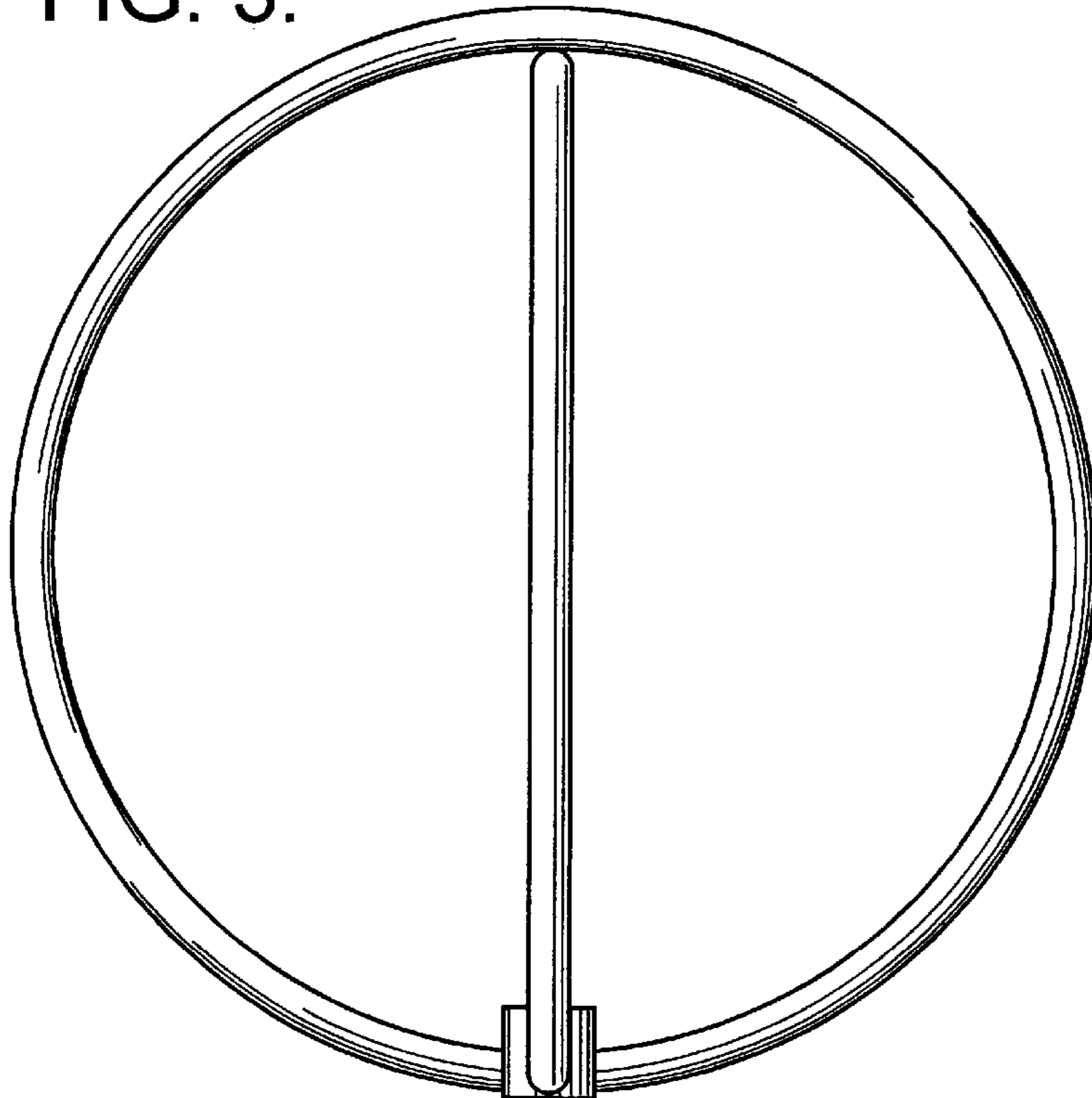


FIG. 4.

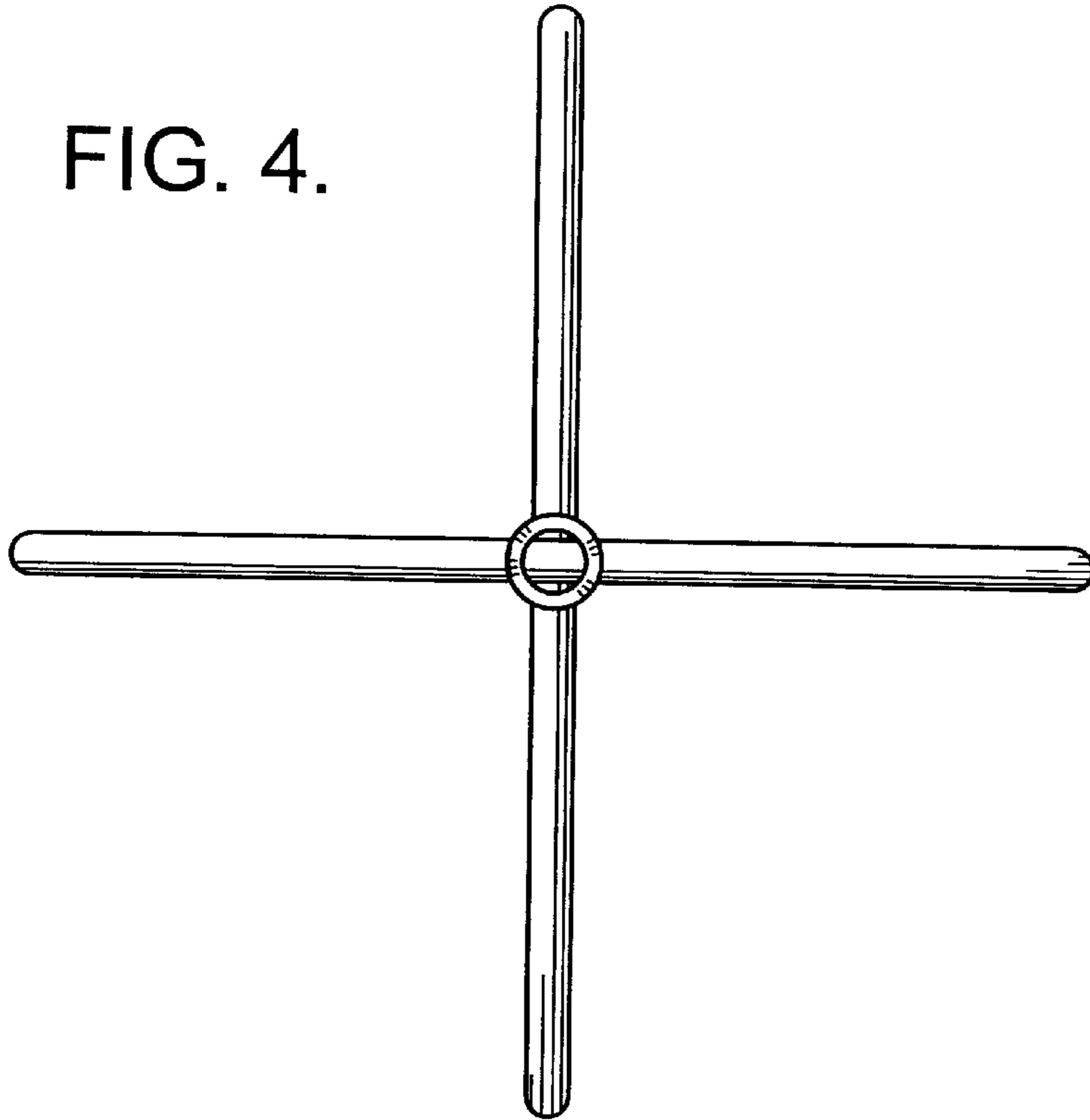


FIG. 5.

