

US00D399919S

United States Patent [19] Goodin

[11] Patent Number: **Des. 399,919**

[45] Date of Patent: ****Oct. 20, 1998**

[54] **PISTOL HOSE NOZZLE**

[75] Inventor: **John W. Goodin**, Coto De Caza, Calif.

[73] Assignee: **L. R. Nelson Corporation**, Peoria, Ill.

[**] Term: **14 Years**

[21] Appl. No.: **47,945**

[22] Filed: **Dec. 15, 1995**

[51] **LOC (6) Cl.** **23-01**

[52] **U.S. Cl.** **D23/226**

[58] **Field of Search** D23/213, 223-229;
239/394, 525-528, 414, 415

3,799,447 3/1974 Beal .
4,219,162 8/1980 Dadson .
4,534,512 8/1985 Chow et al. .
4,618,100 10/1986 White et al. .
4,903,897 2/1990 Hayes .
5,232,162 8/1993 Chih .

Primary Examiner—Alan P. Douglas
Assistant Examiner—Robin V. Taylor
Attorney, Agent, or Firm—Daniel J. Hulseberg; Mayer
Brown & Platt

[57] CLAIM

The ornamental design for a pistol hose nozzle, as shown and described.

DESCRIPTION

FIG. 1 is a right side elevational view showing one embodiment of a pistol hose nozzle of my new design; FIG. 2 is a left side elevational view thereof; FIG. 3 is a front elevational view thereof; FIG. 4 is a rear elevational view thereof; FIG. 5 is a top plan view thereof; FIG. 6 is a bottom plan view thereof; FIG. 7 is a right side elevational view showing another embodiment of a pistol hose nozzle of my new design; FIG. 8 is a left side elevational view thereof; FIG. 9 is a front elevational view thereof; FIG. 10 is a rear elevational view thereof; FIG. 11 is a top plan view thereof; and, FIG. 12 is a bottom plan view thereof.

[56] References Cited

U.S. PATENT DOCUMENTS

D. 148,892	3/1948	Swimmer .	
D. 185,186	5/1959	Beinert .	
D. 194,014	11/1962	Gilmour .	
D. 225,222	11/1972	Gilmour .	
D. 225,736	1/1973	Mango et al. .	
246,673	9/1881	Hall .	
D. 251,850	5/1979	Morgan	D23/226
D. 251,917	5/1979	Morgan .	
D. 300,348	3/1989	Lubeck .	
D. 328,780	8/1992	Aquilina .	
D. 361,122	8/1995	Goodin .	
D. 369,854	5/1996	Wang	D23/226
D. 376,411	12/1996	Kuo	D23/226
2,937,813	5/1960	Rinkewich .	
2,991,945	7/1961	Rosenkranz .	
3,111,273	11/1963	Mei .	

1 Claim, 6 Drawing Sheets

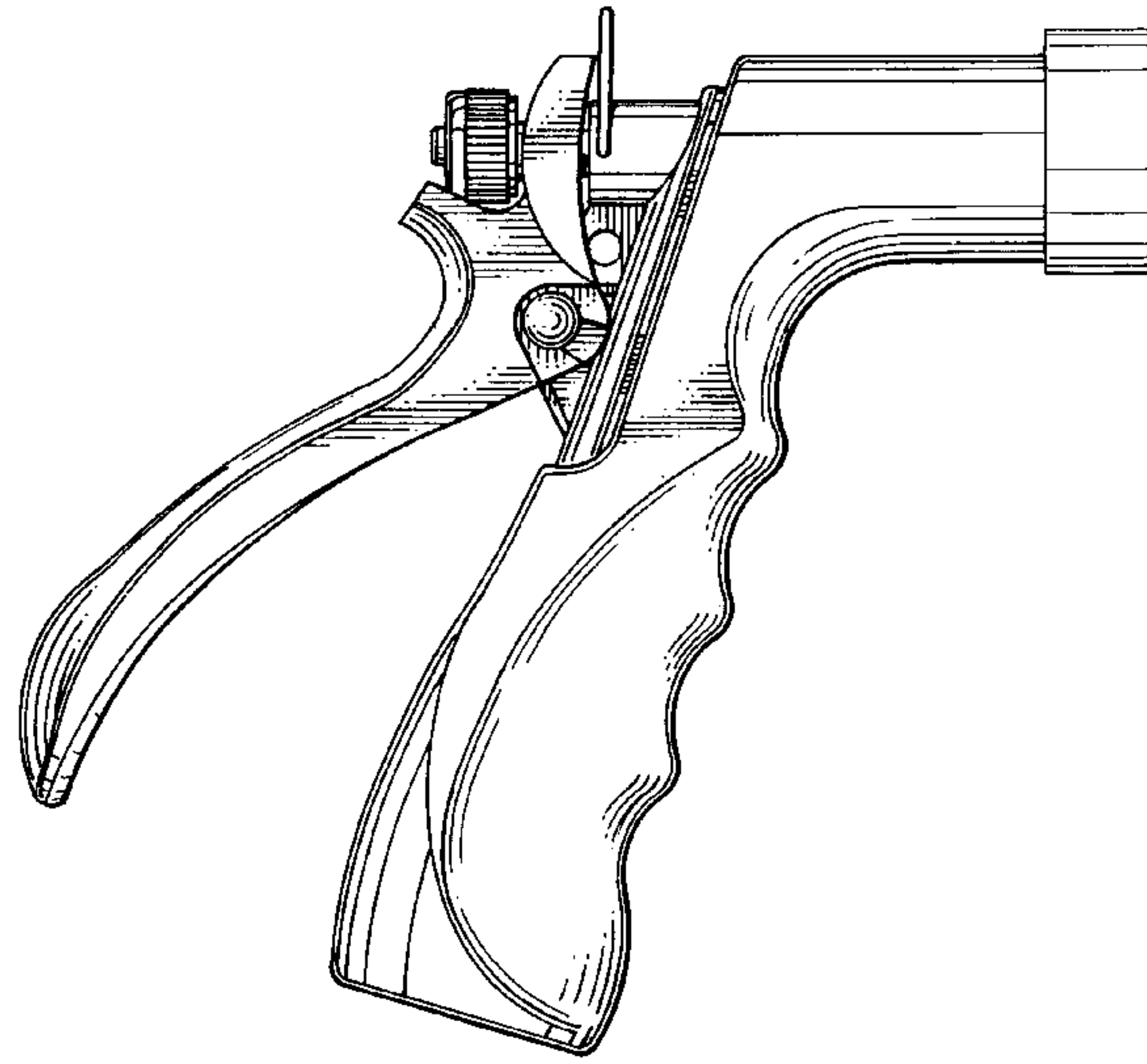
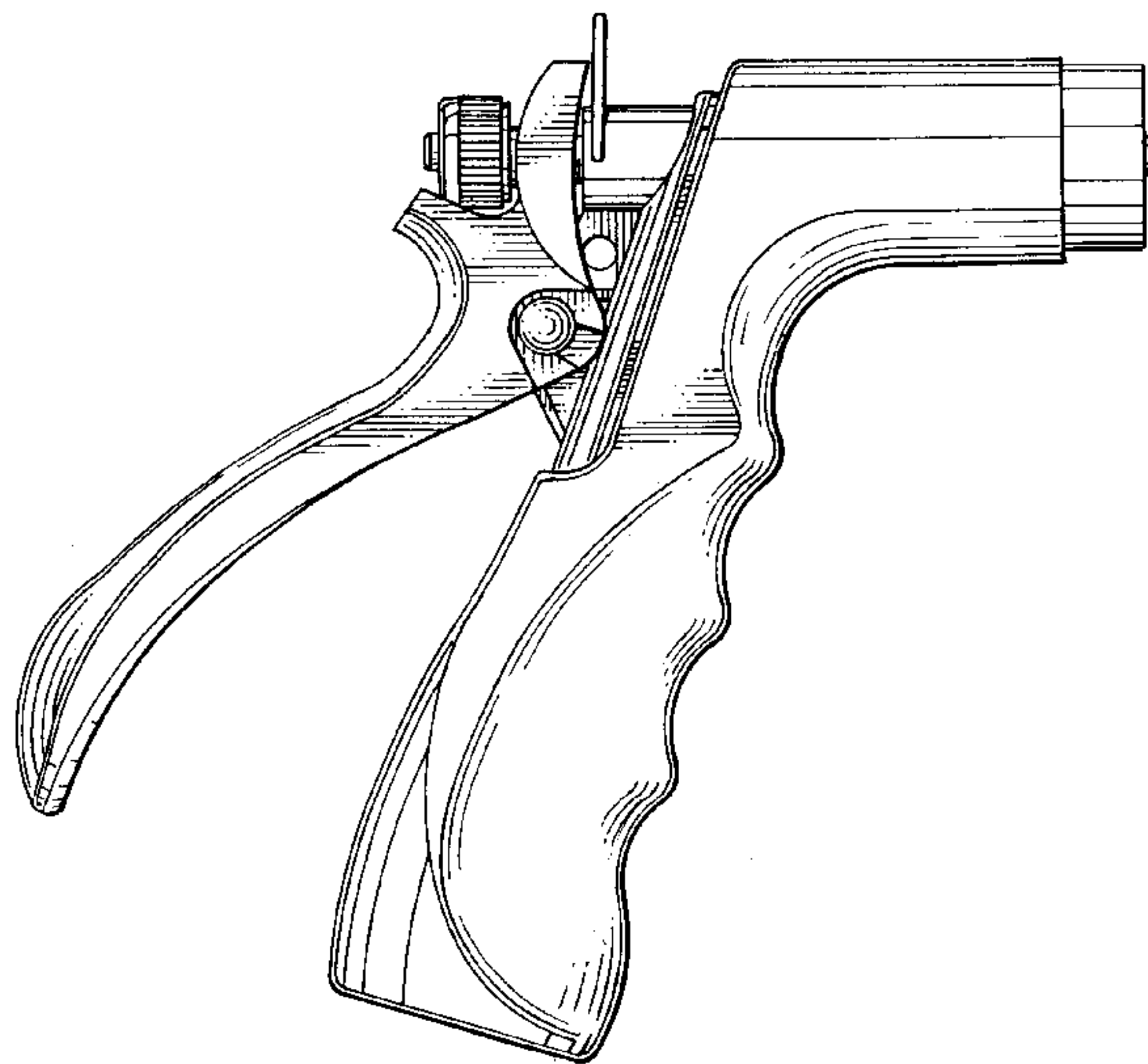


FIG. 1

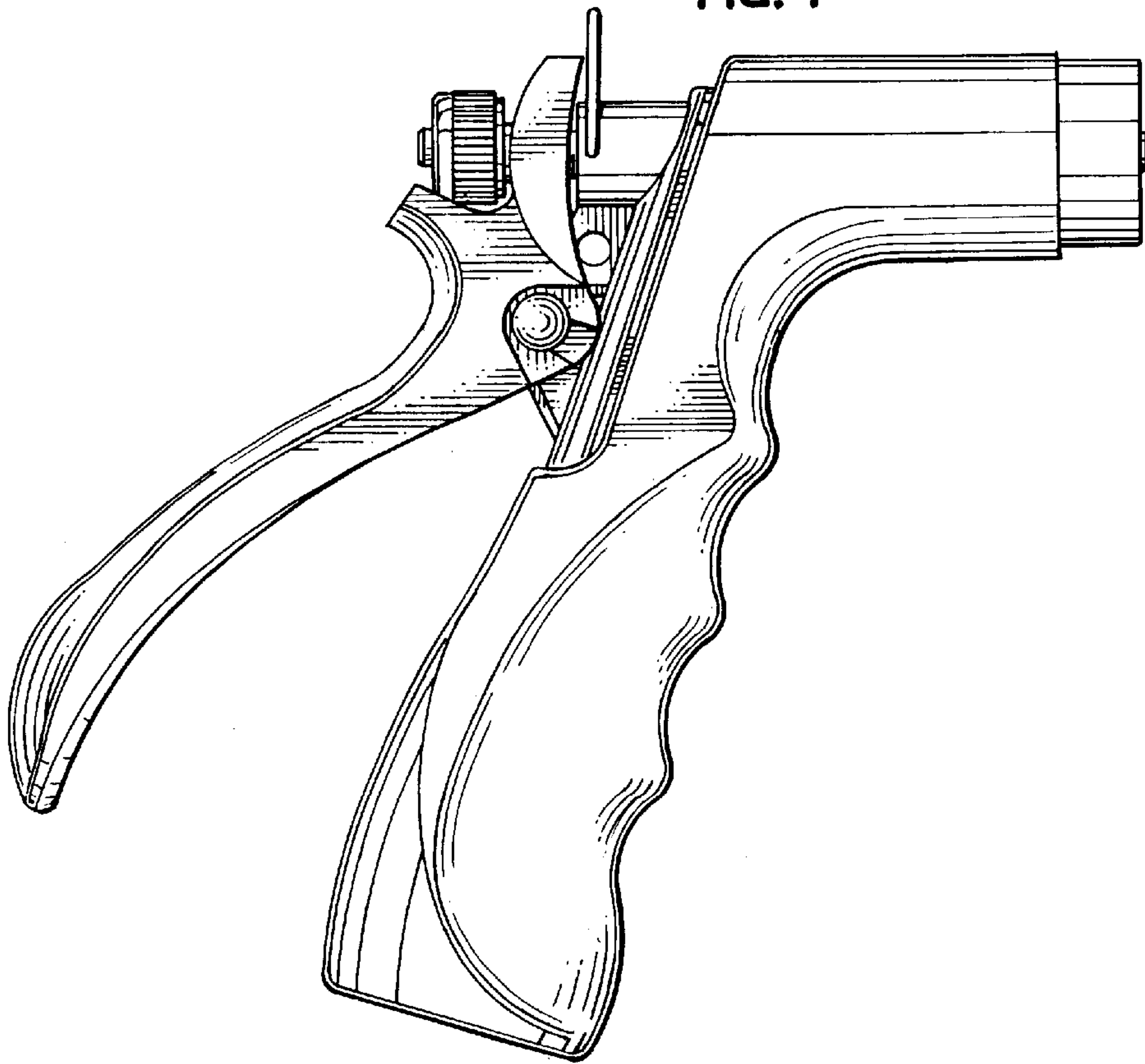


FIG. 2

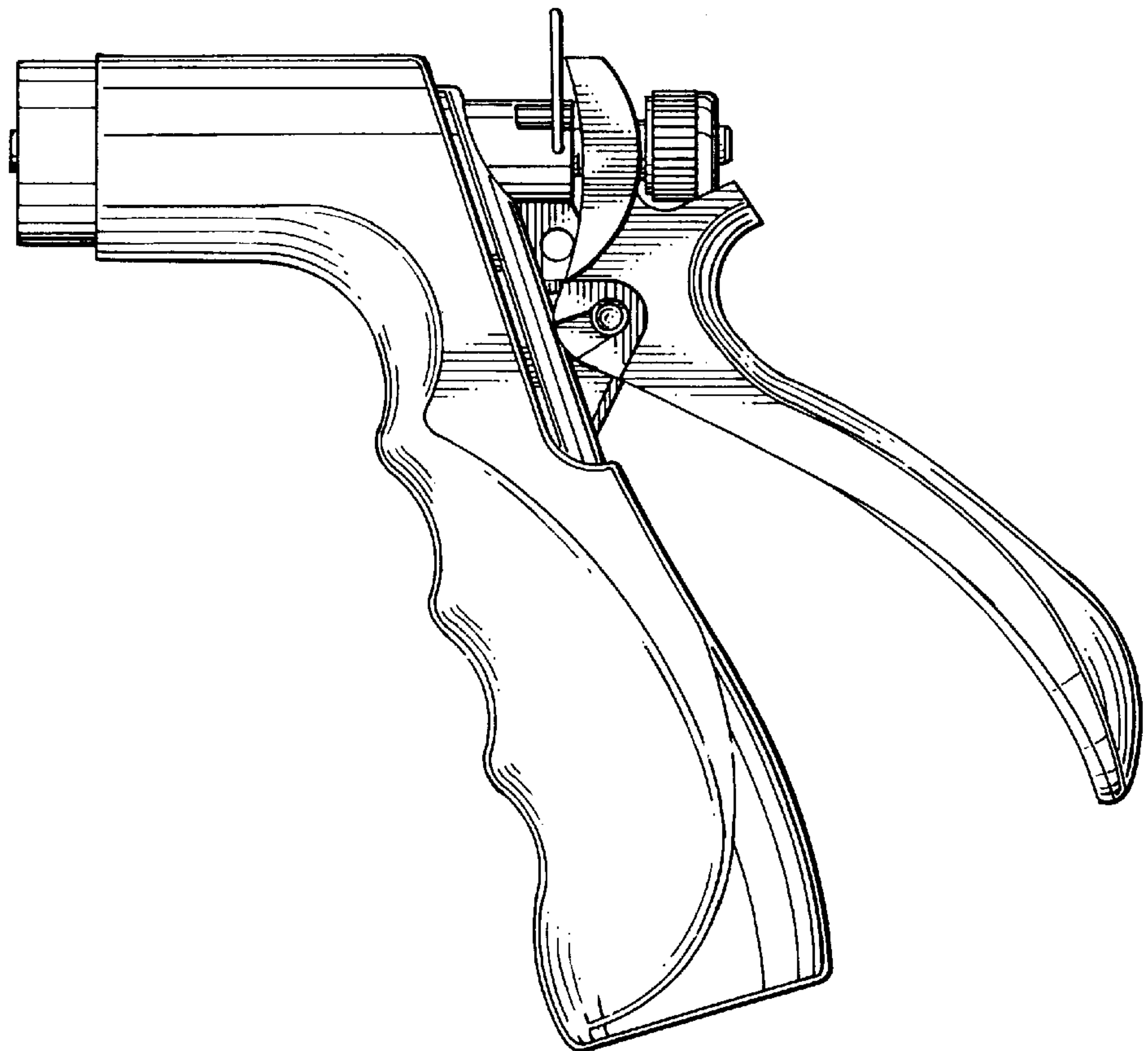


FIG. 3

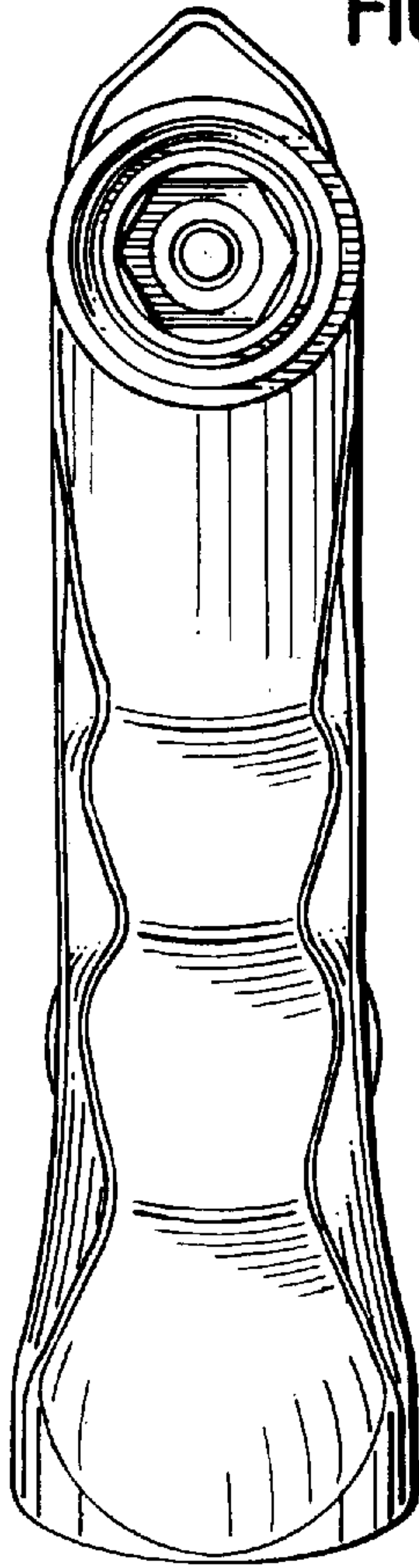


FIG. 4

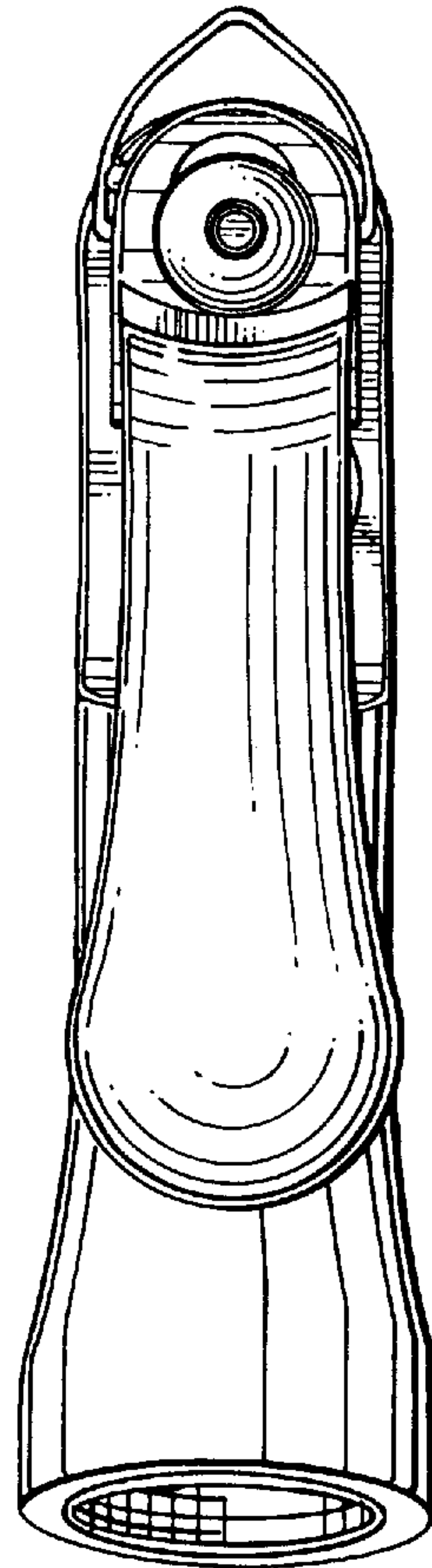


FIG. 5

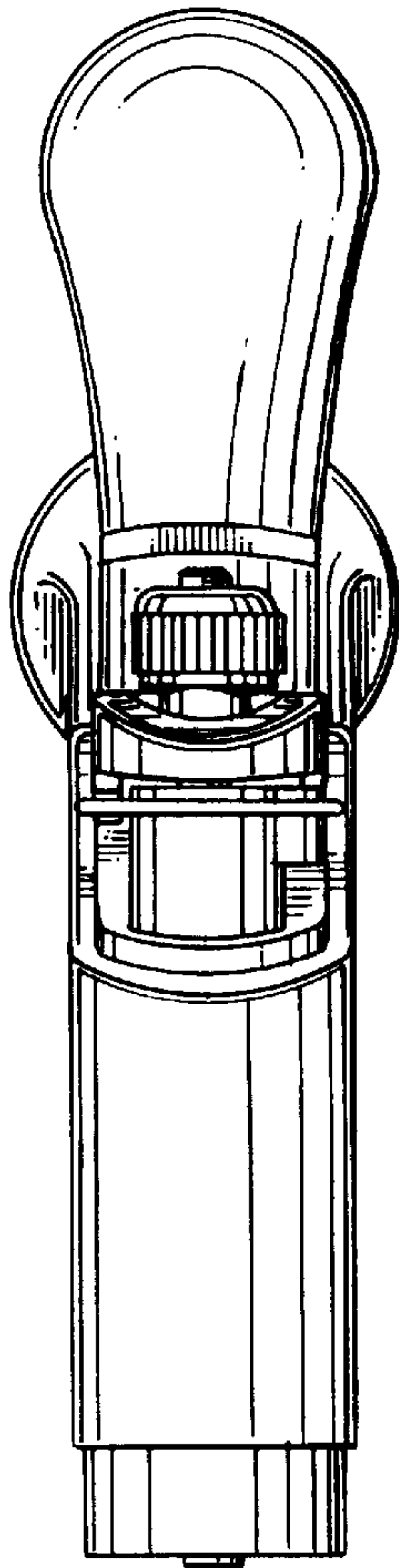


FIG. 6

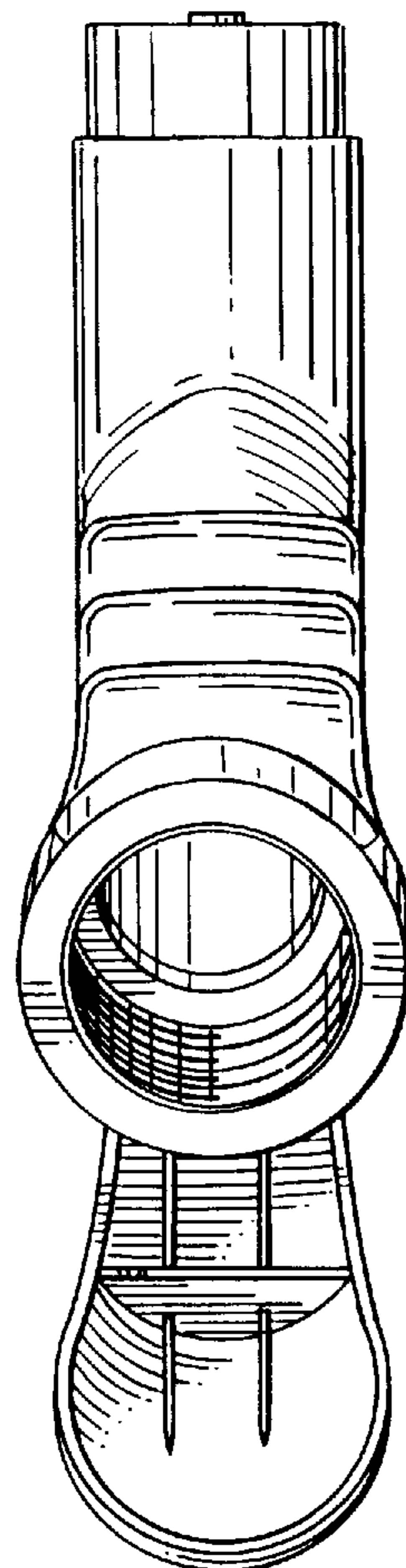


FIG. 7

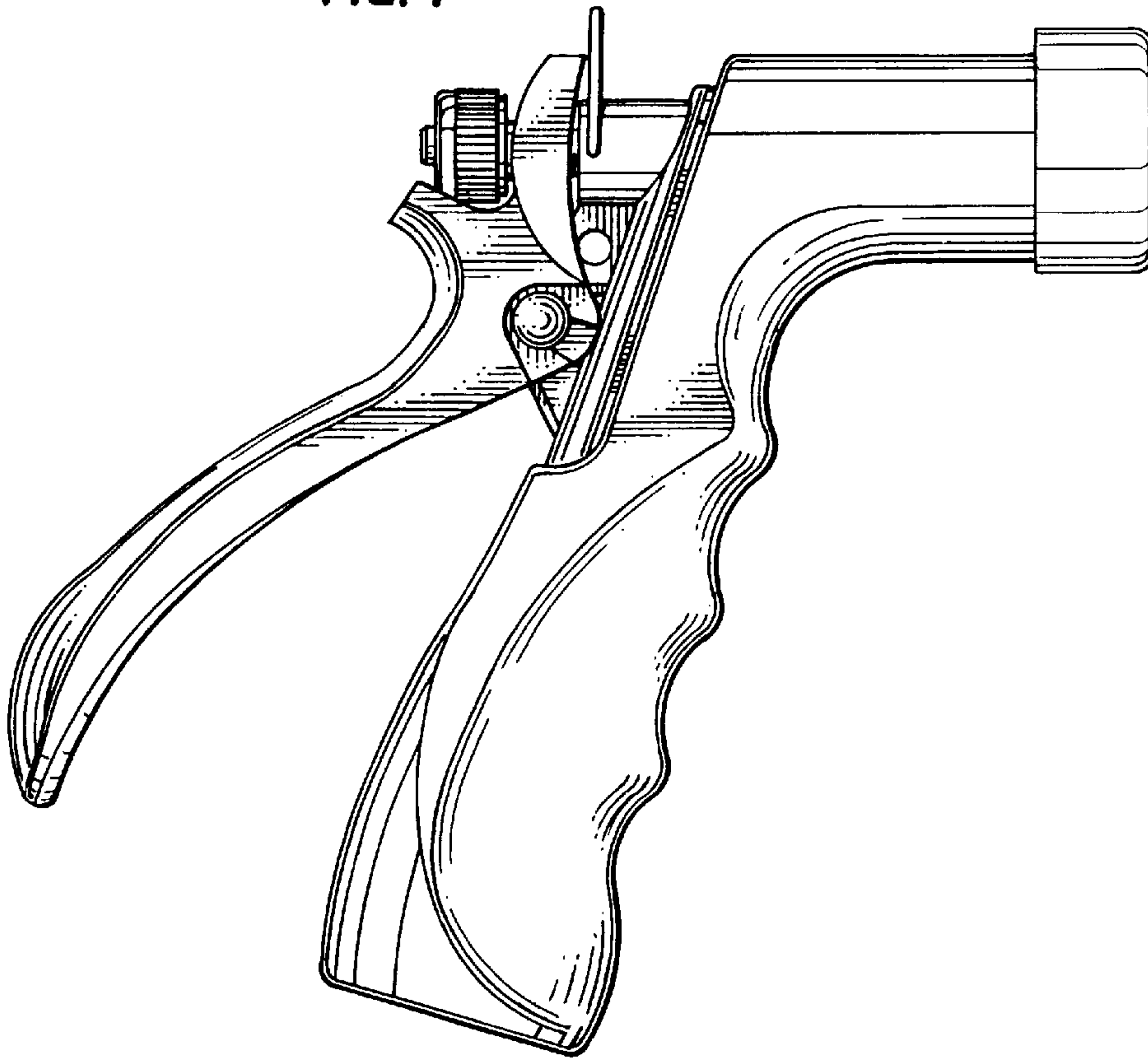


FIG. 8

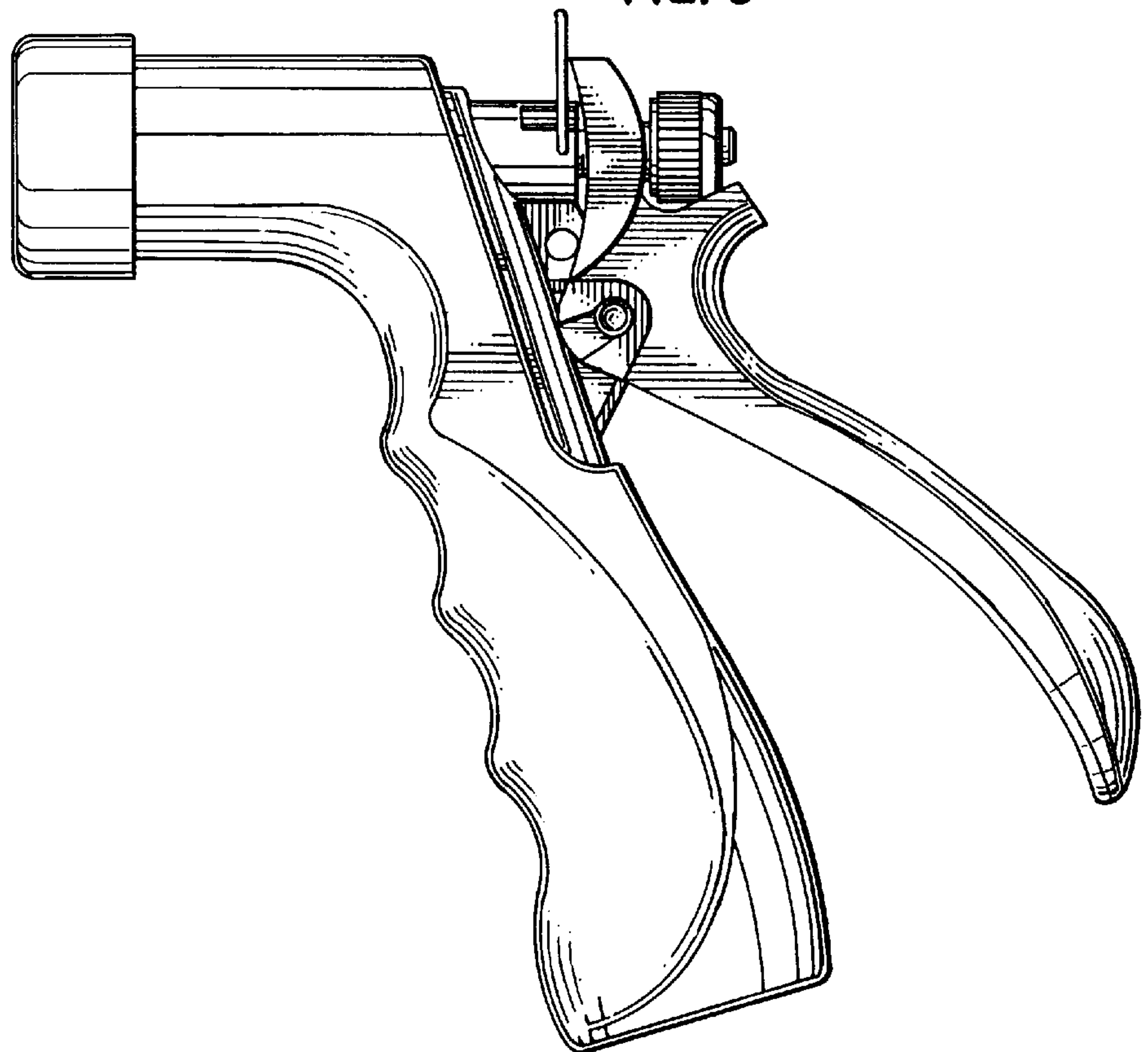


FIG. 9

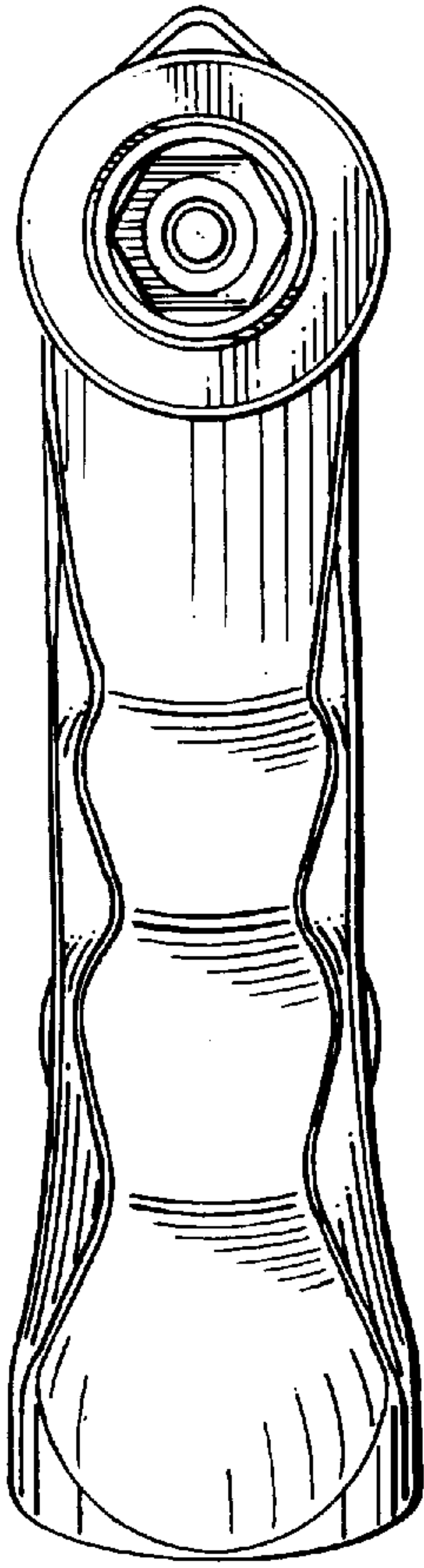


FIG. 10

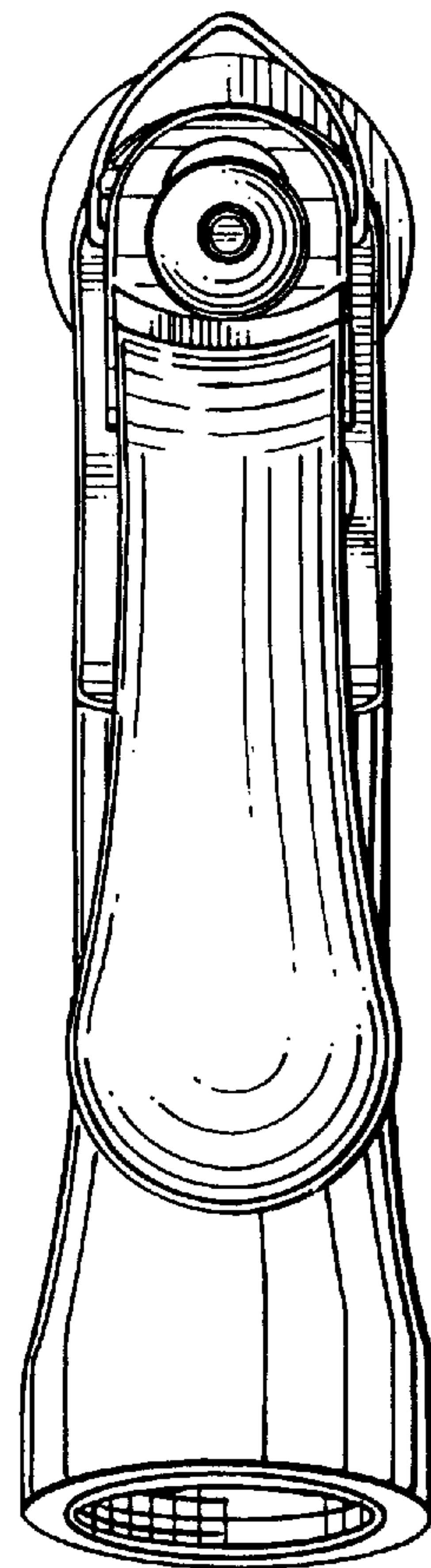


FIG. 11

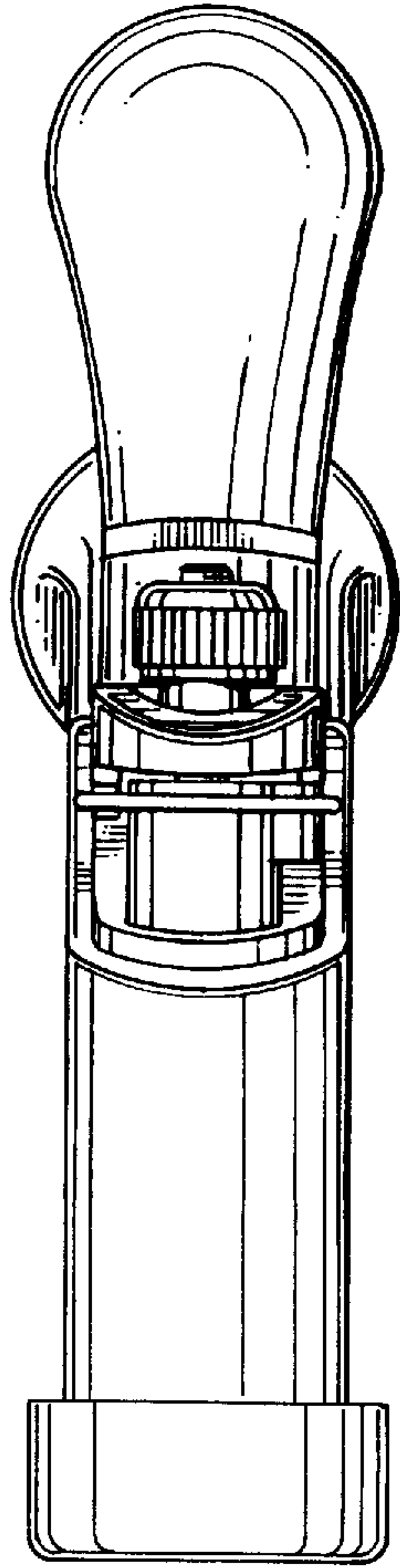


FIG. 12

