



US00D399915S

United States Patent [19] McEachen

[11] **Patent Number: Des. 399,915**

[45] **Date of Patent: **Oct. 20, 1998**

[54] **TOY WATER SPRINKLER**

[75] Inventor: **Peter C. McEachen**, Cleveland Heights, Ohio

[73] Assignee: **The Little Tikes Company**, Hudson, Ohio

[**] Term: **14 Years**

[21] Appl. No.: **56,959**

[22] Filed: **Jul. 12, 1996**

[51] **LOC (6) Cl. 23-01**

[52] **U.S. Cl. D23/214; D21/124**

[58] **Field of Search D21/59, 109, 124, D21/142; D23/214, 216, 218, 219, 220, 221; 239/236, 251; 446/176**

[56] **References Cited**

U.S. PATENT DOCUMENTS

D. 263,868	4/1982	Chow et al.	D23/221
D. 326,502	5/1992	Arnold, Jr.	D21/221
D. 374,914	10/1996	Wang	D23/214
3,452,930	7/1969	Karbo	239/236
5,704,549	1/1998	Kephart et al.	239/236

OTHER PUBLICATIONS

P. 54, Toy water sprinklers; Fisher-Price, Inc., 620 Girard Avenue, East Aurora, New York 14052. Publication date 1995.

Catalog page, Toy water sprinkler; Playskool, A Division of Hasbro, Inc., 1027 Newport Avenue, P. O. Box 1059, Pawtucket, Rhode Island 02862-1059. Publication date Spring, 1993.

Primary Examiner—Philip S. Hyder
Assistant Examiner—Adir Aronovich
Attorney, Agent, or Firm—Richard B. O’Planick

[57] **CLAIM**

The ornamental design for a toy water sprinkler, as shown and described.

DESCRIPTION

FIG. 1 is a top right front perspective view of a toy water sprinkler showing my new design;

FIG. 2 is a top plan view thereof;

FIG. 3 is a front elevational view thereof;

FIG. 4 is a left side elevational view thereof;

FIG. 5 is a rear elevational view thereof;

FIG. 6 is a right side elevational view thereof; and,

FIG. 7 is a bottom plan view thereof. The broken lines are for illustrative purposes only and form no part of the claimed design.

1 Claim, 4 Drawing Sheets

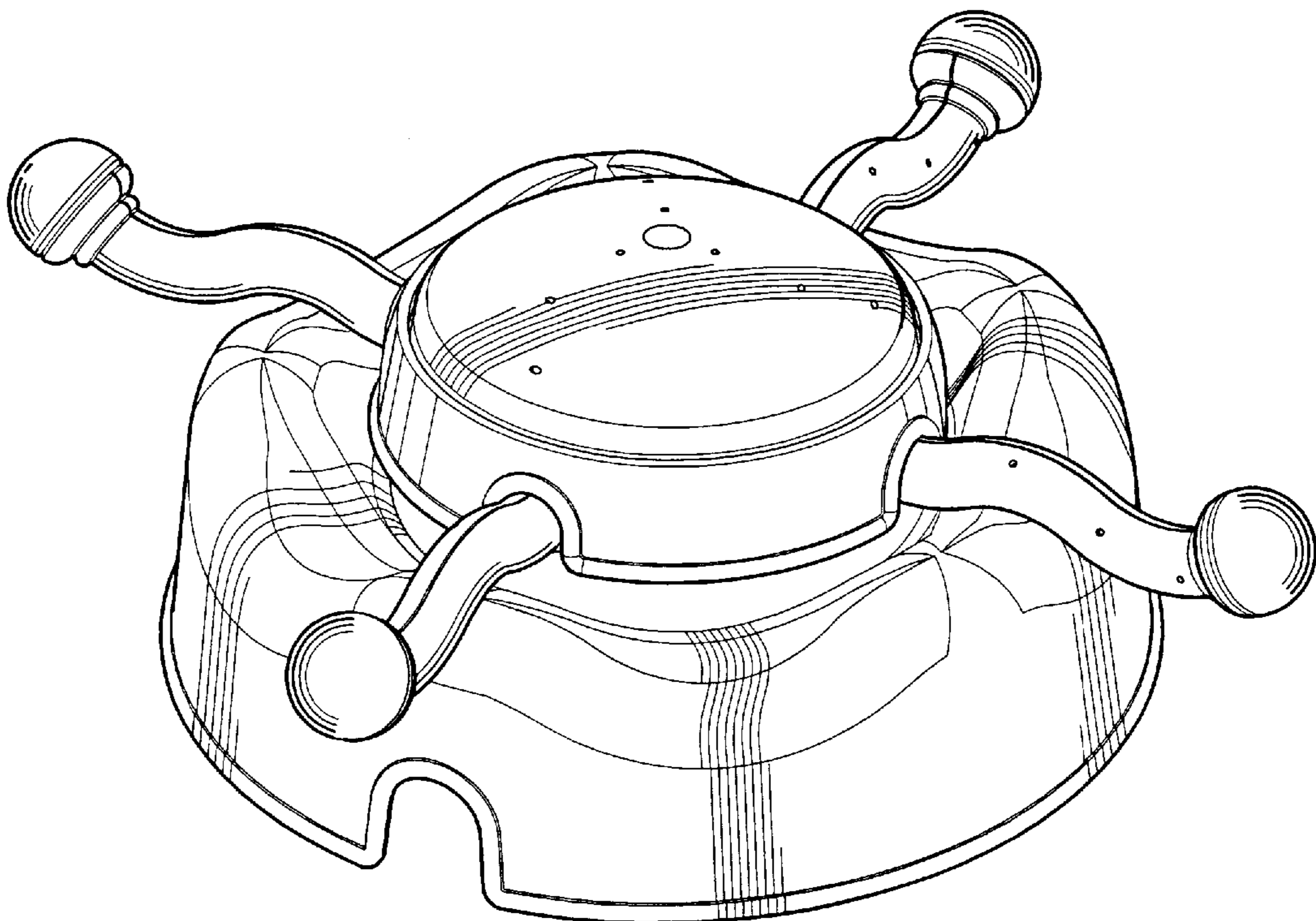


Fig-1

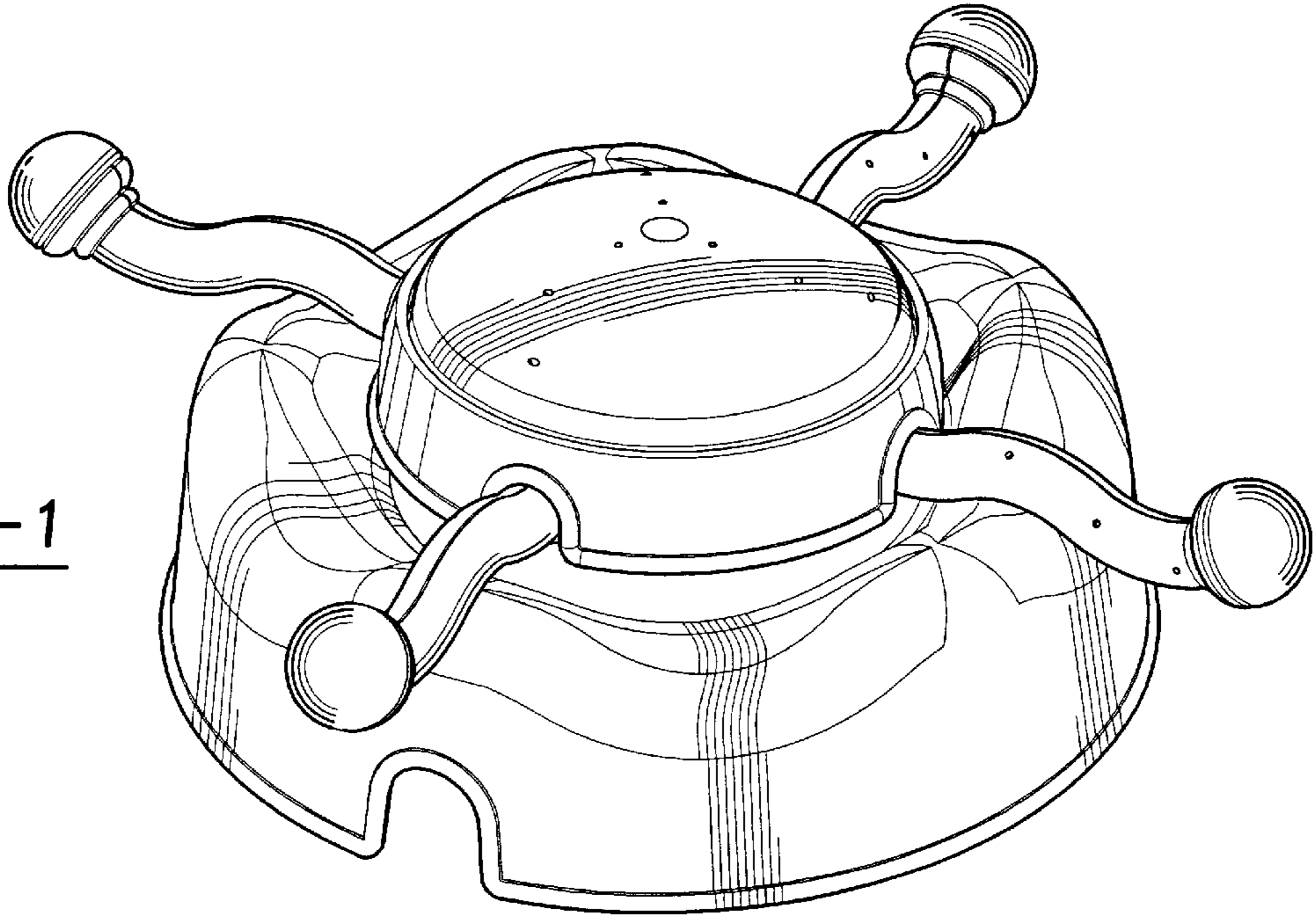
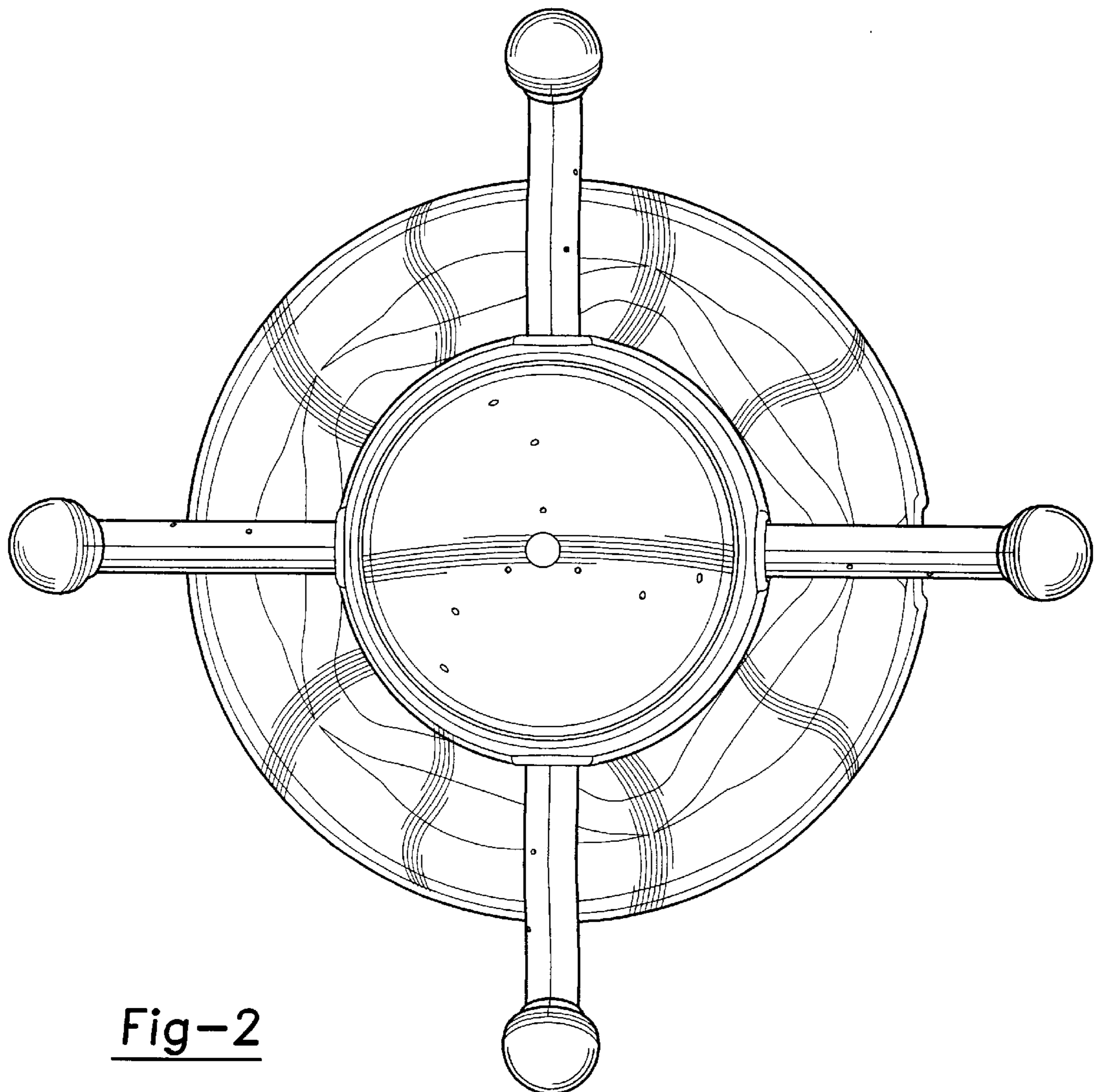


Fig-2



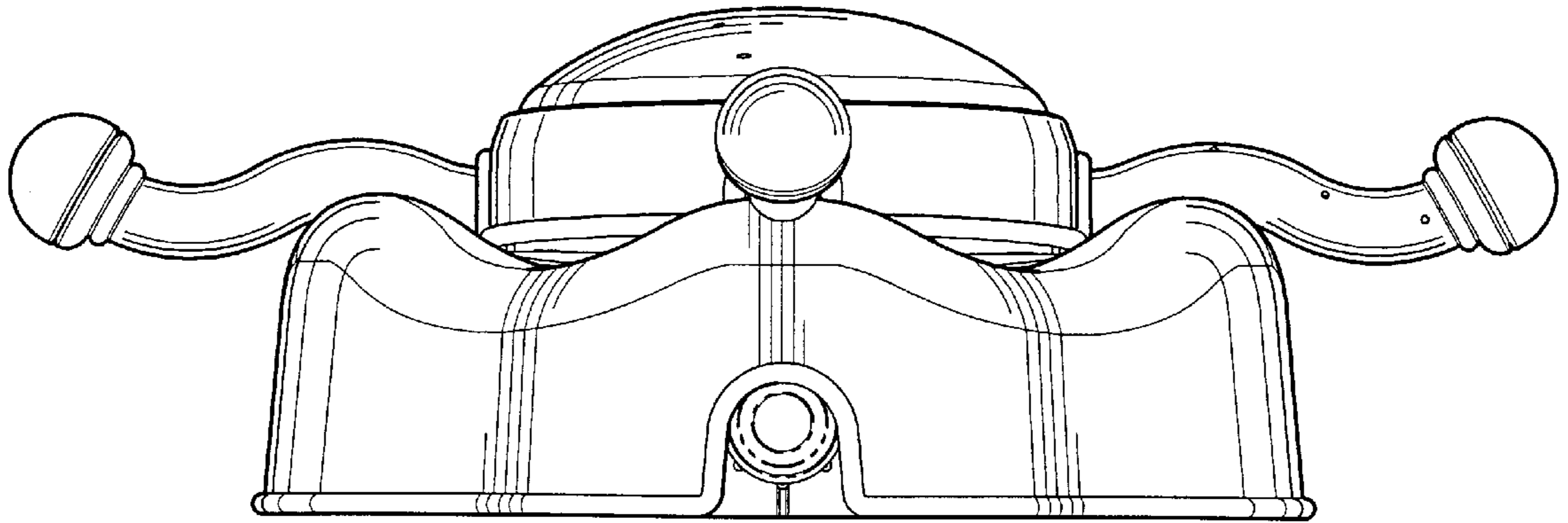


Fig-3

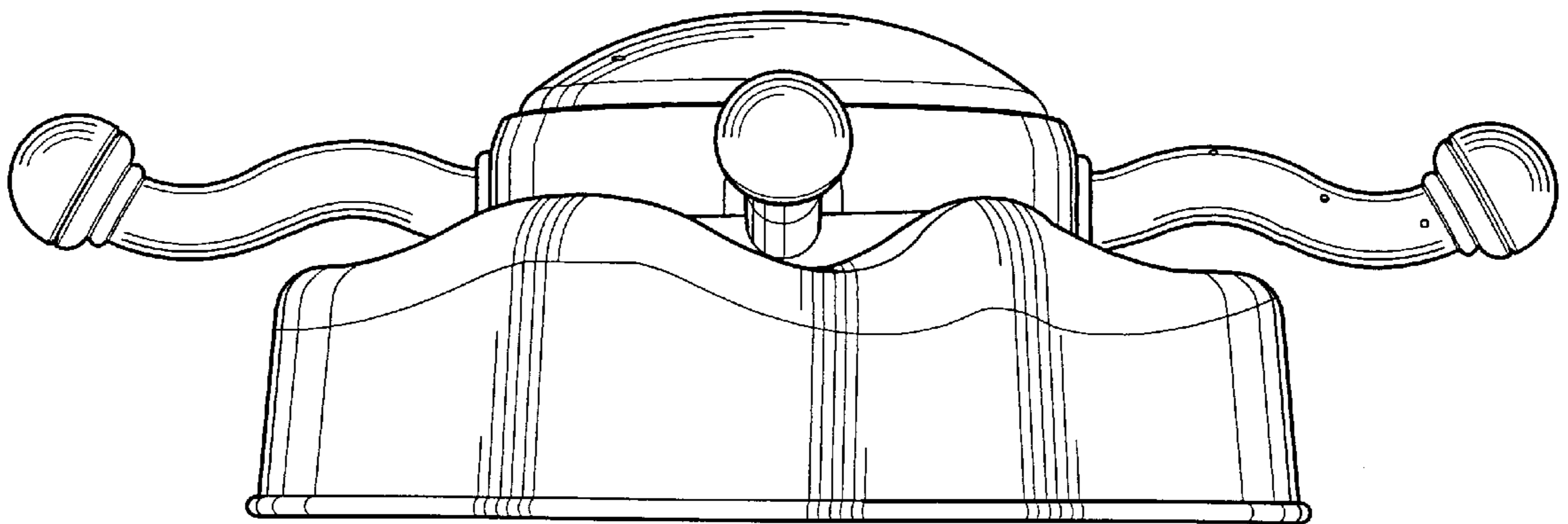


Fig-4

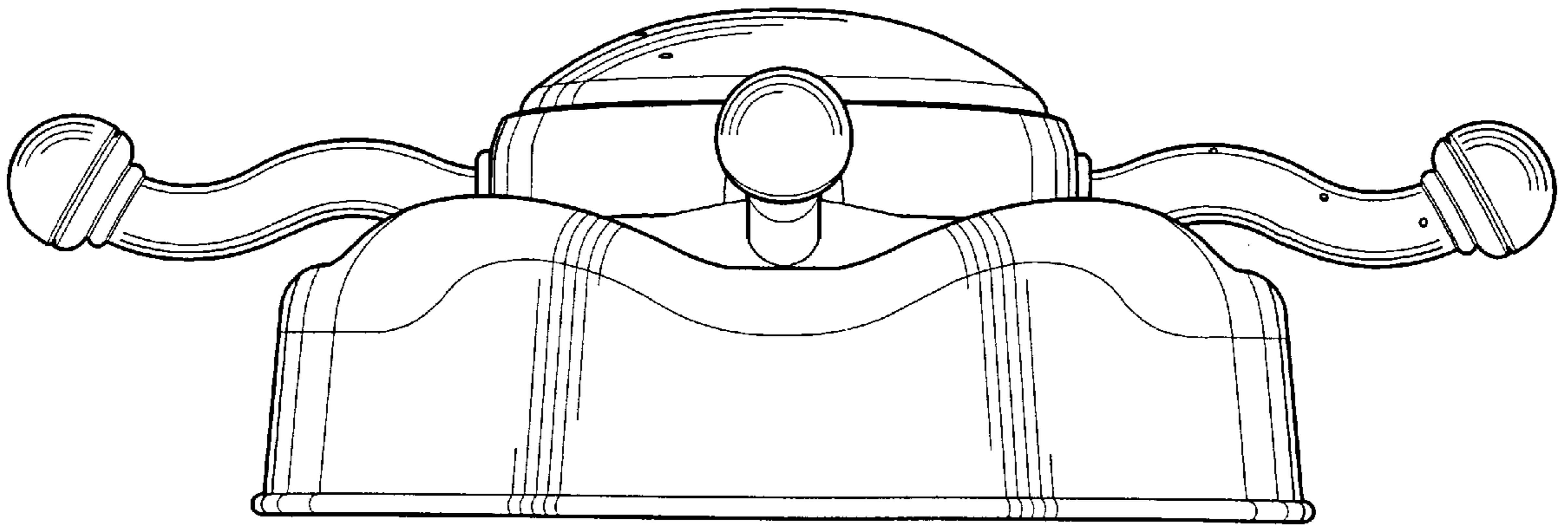


Fig-5

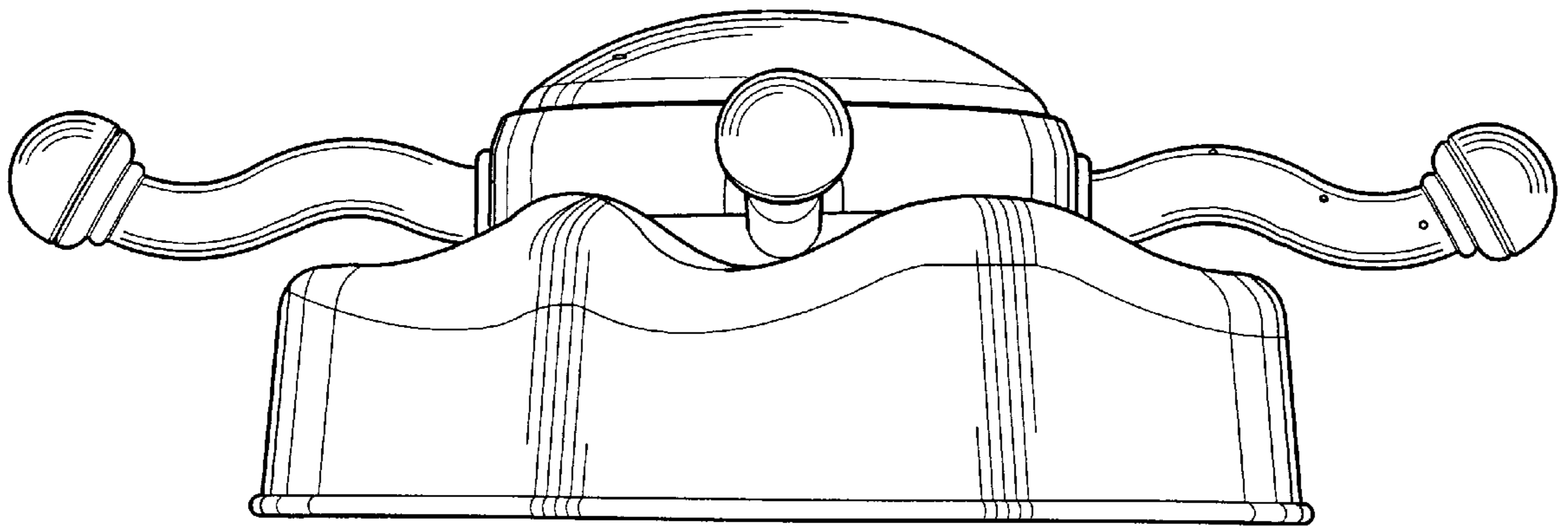


Fig-6

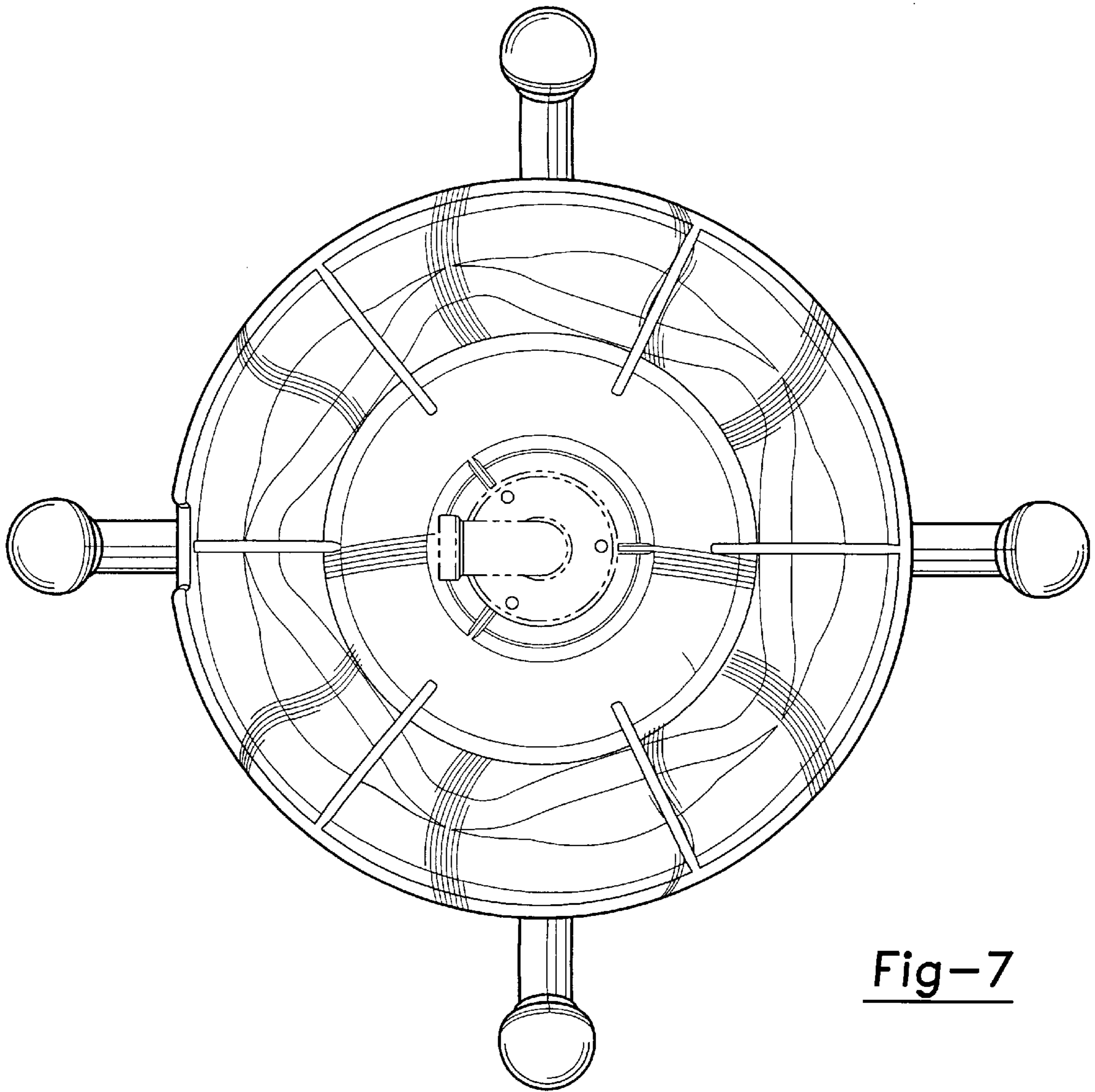


Fig-7